



US00D524908S

(12) **United States Design Patent**
Hoernig

(10) **Patent No.:** **US D524,908 S**

(45) **Date of Patent:** **** Jul. 11, 2006**

(54) **HAND SHOWER**

(75) Inventor: **Victor Hoernig**, Lowell, IN (US)

(73) Assignee: **Brasstech, Inc.**, Santa Ana, CA (US)

(**) Term: **14 Years**

(21) Appl. No.: **29/226,736**

(22) Filed: **Mar. 31, 2005**

(51) **LOC (8) Cl.** **23-01**

(52) **U.S. Cl.** **D23/223**

(58) **Field of Classification Search** D23/213,
D23/223, 226, 229-30; 239/282-3, 394
See application file for complete search history.

(56) **References Cited**

U.S. PATENT DOCUMENTS

- D465,553 S * 11/2002 Singtoroj D23/229
- D467,300 S * 12/2002 Singtoroj D23/213

D498,816 S * 11/2004 Egee D23/213

* cited by examiner

Primary Examiner—Robin Webster

(74) *Attorney, Agent, or Firm*—Kwadjo Adusei-Poku;
Lloyd D. Doigan

(57) **CLAIM**

The ornamental design for a hand shower, as shown and described.

DESCRIPTION

FIG. 1 is a front perspective view of a hand shower showing my design;

FIG. 2 is a front elevational view thereof;

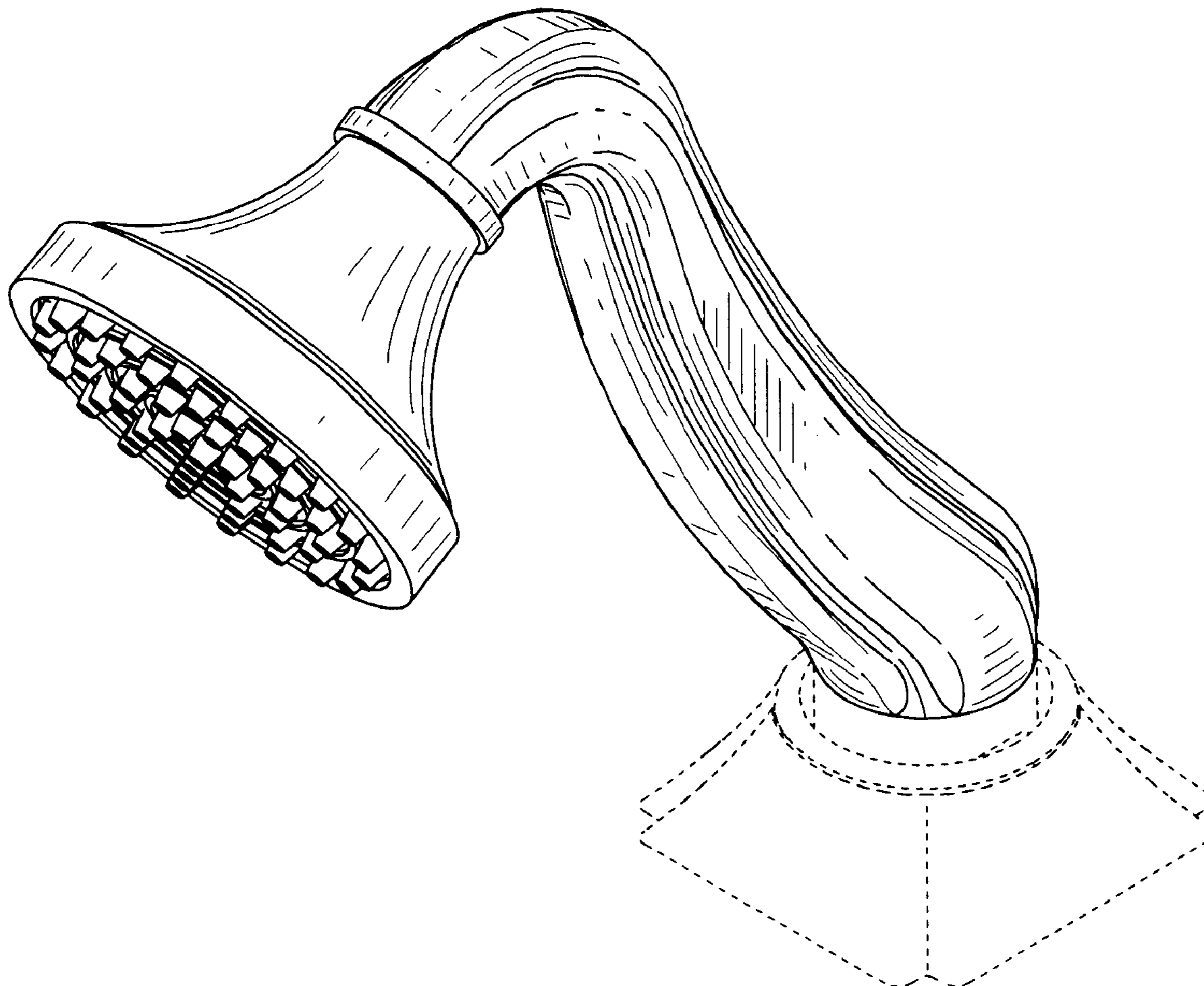
FIG. 3 is a rear elevational view thereof;

FIG. 4 is a left-side elevational view, the right-side elevational view being a mirror image thereof; and,

FIG. 5 is a top plan view thereof.

The broken line showing of a base is for illustrative purposes only and forms no part of the claimed design.

1 Claim, 5 Drawing Sheets



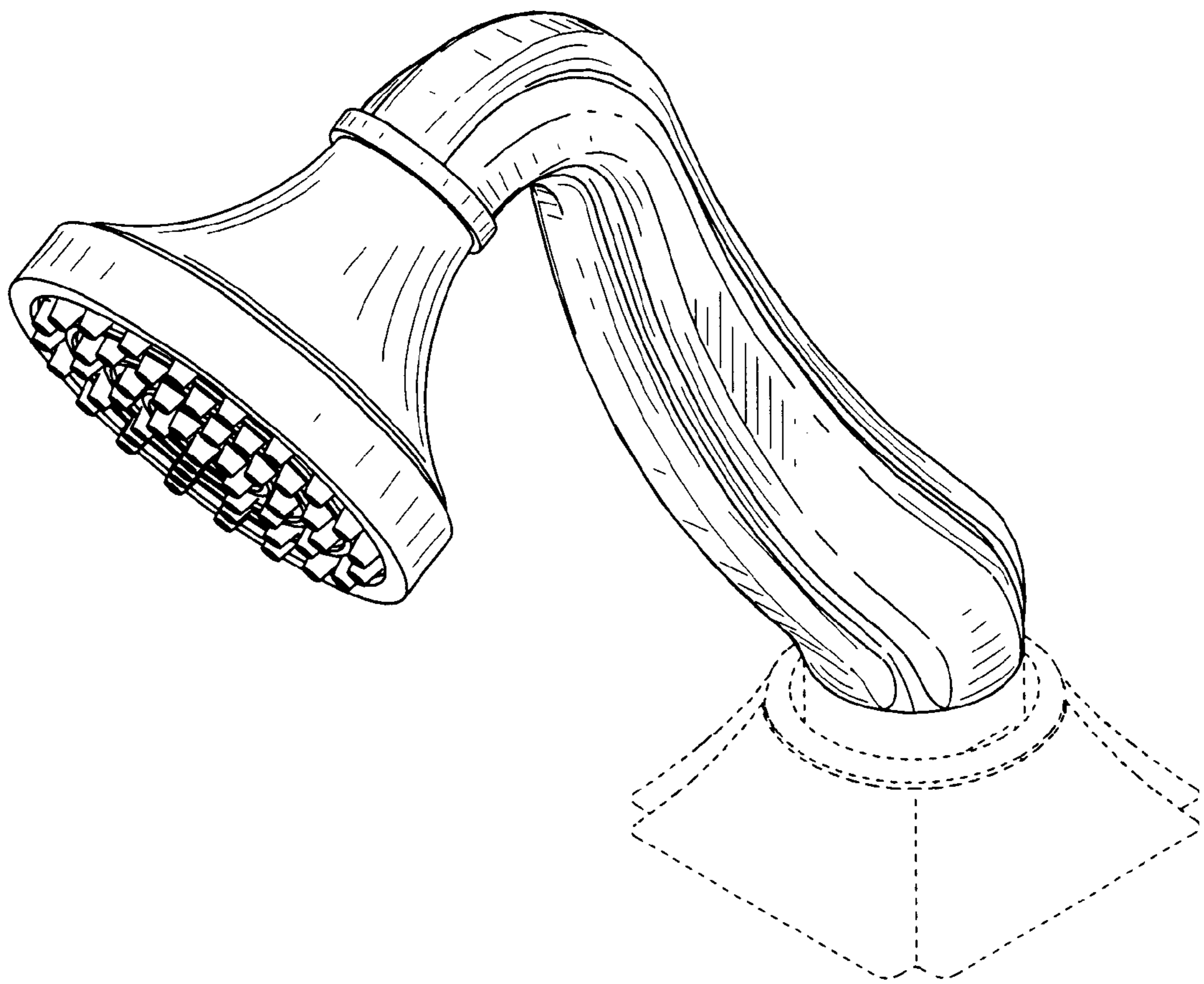


FIG. 1

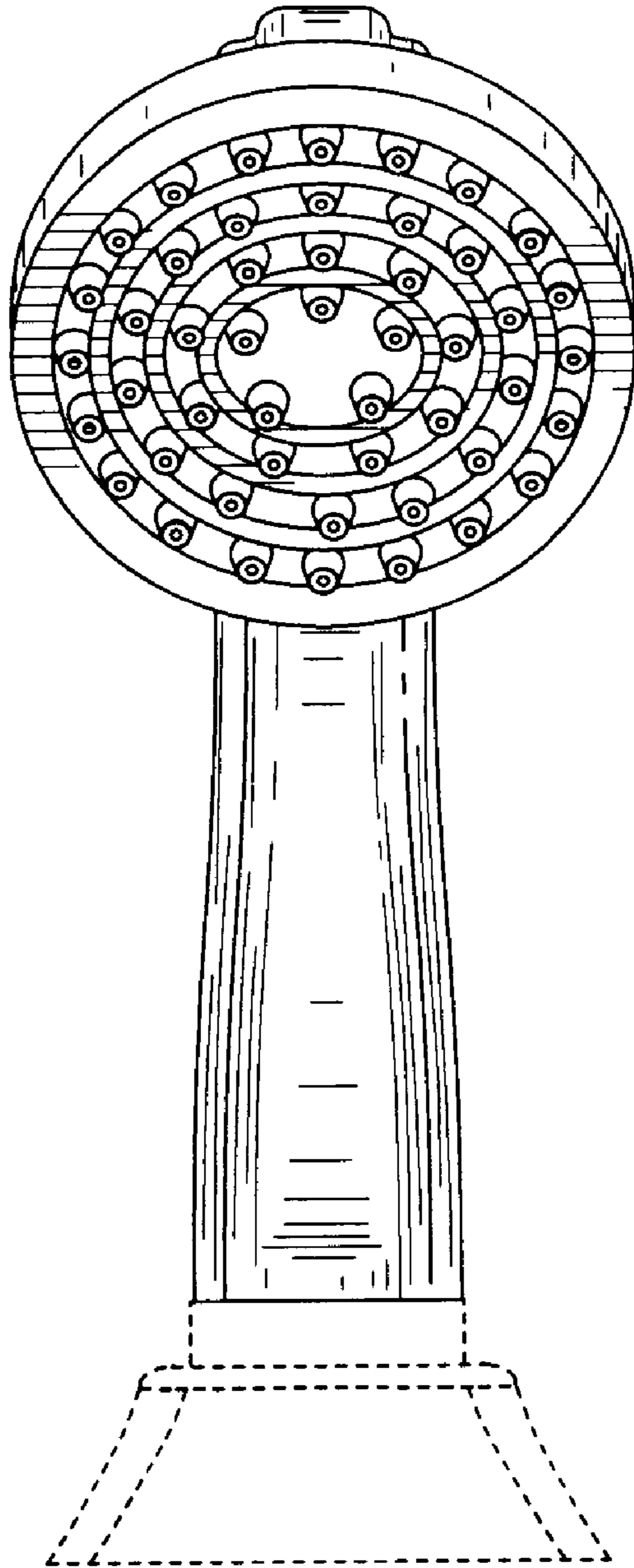


FIG. 2

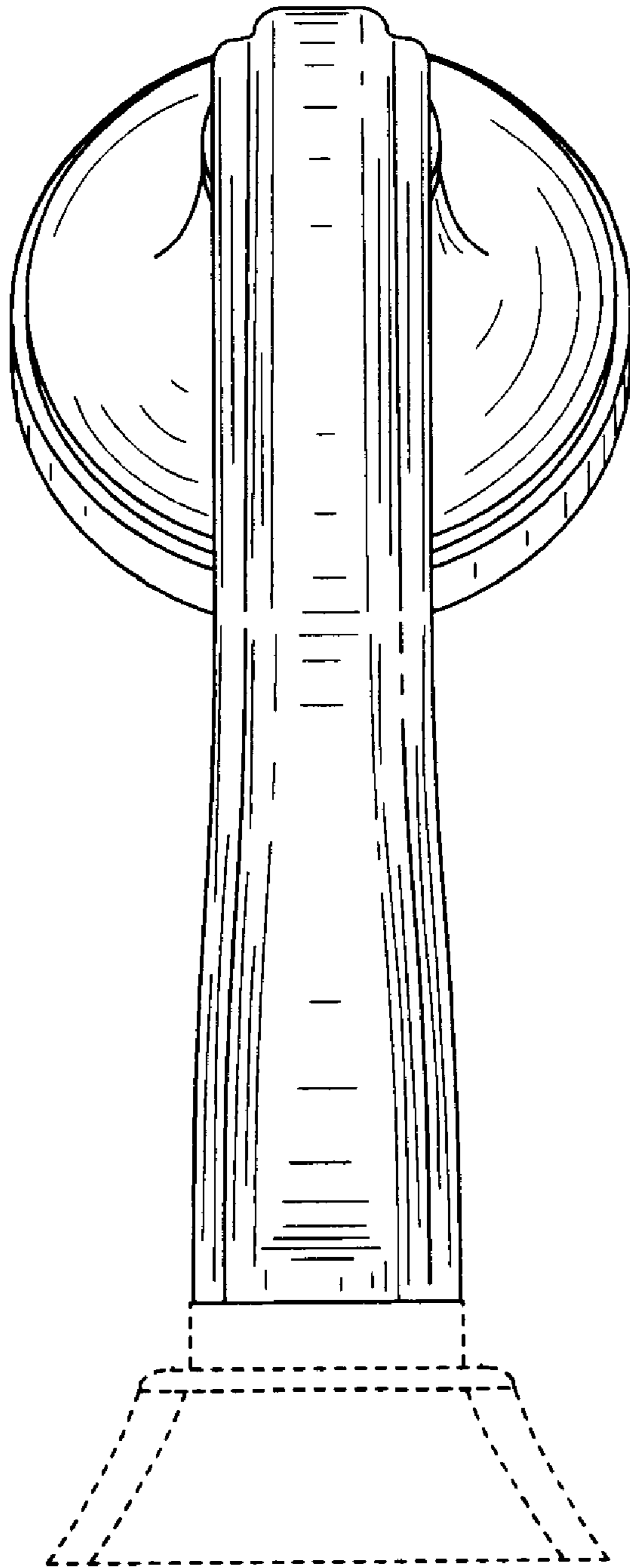


FIG. 3

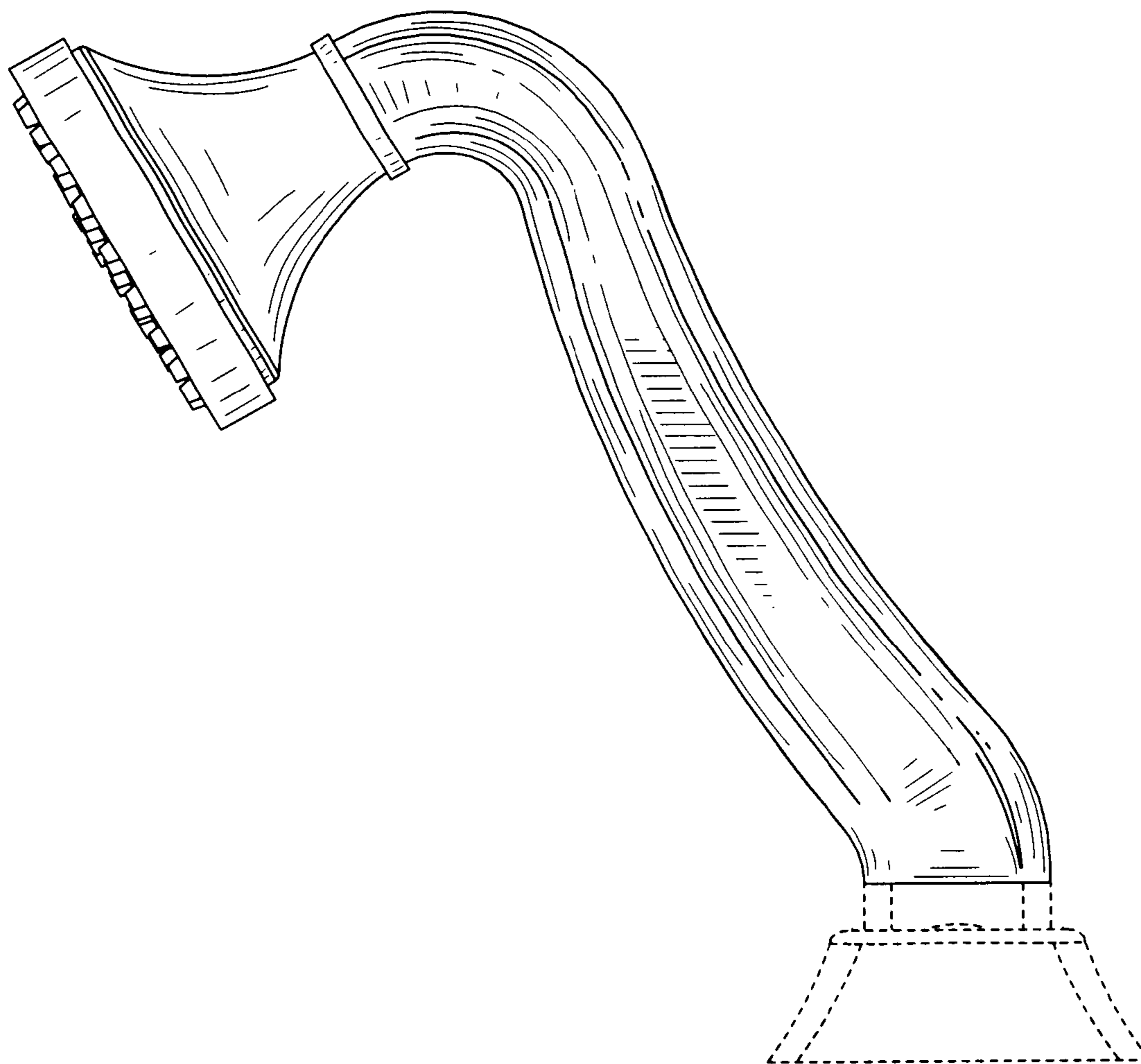


FIG. 4

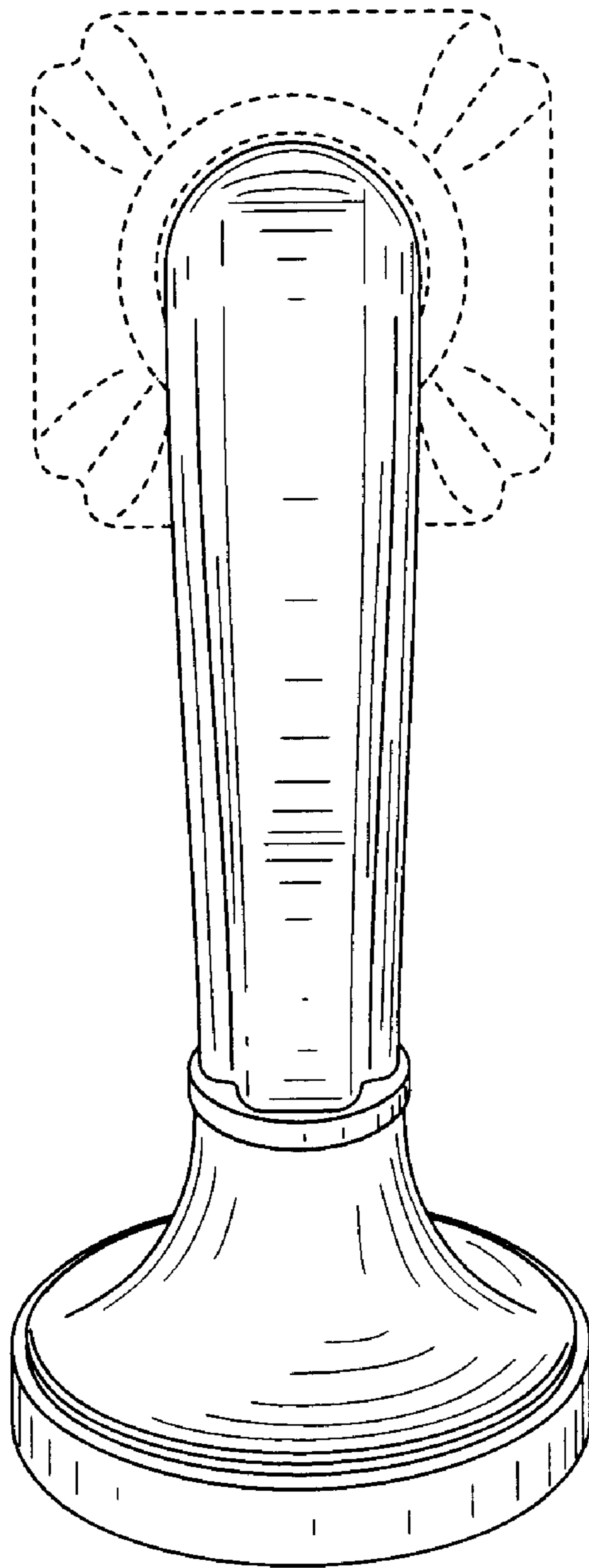


FIG. 5