



US00D524902S

(12) **United States Design Patent** (10) **Patent No.:** **US D524,902 S**
Masters et al. (45) **Date of Patent:** **** Jul. 11, 2006**

(54) **INSECT TRAP**

FOREIGN PATENT DOCUMENTS

(75) Inventors: **Edwin Masters**, Sikeston, MO (US);
Jacqueline Masters, Sikeston, MO
(US); **Thomas M. Kollars**, Bealeton,
VA (US); **Peggy G. Kollars**, Bealeton,
VA (US)

AU	9944477	A1	3/2000
DE	4414796	A	11/1995
DE	10108179	A1	12/2002
GB	2365746	A	2/2002
JP	5-103571	A1	4/1993
JP	6-46	A1	1/1994
JP	7-203821	A1	8/1995
JP	8-56543	A1	3/1996
JP	8-154553	A1	6/1996
JP	10-229801	A1	9/1998
JP	00/1393188	A1	5/2000
JP	2003/61541	A1	3/2003
WO	WO 89/12389	A1	12/1989
WO	WO 92/17060	A1	10/1992
WO	WO 95/29584	A1	11/1995
WO	WO 99/26471	A1	6/1999

(73) Assignee: **Ticks or Mosquitoes LLC**, Sikeston,
MO (US)

(**) Term: **14 Years**

(21) Appl. No.: **29/232,970**

(22) Filed: **Jun. 24, 2005**

(51) **LOC (8) Cl.** **22-06**

(52) **U.S. Cl.** **D22/122**

(58) **Field of Classification Search** D22/119-125;
43/107, 112-113, 124, 139

See application file for complete search history.

Primary Examiner—Catherine R. Oliver

(74) *Attorney, Agent, or Firm*—Wolf Greenfield & Sacks
P.C.

(57) **CLAIM**

The ornamental design for an insect trap, as shown and
described.

(56) **References Cited**

U.S. PATENT DOCUMENTS

675,338	A	5/1901	Nobbs
919,507	A	4/1909	Wiegand et al.
944,882	A	12/1909	Laube et al.
2,645,877	A	7/1953	Pohlman
2,867,360	A	1/1959	Sharma
3,141,444	A	7/1964	Kucera
3,708,908	A	1/1973	Levey
4,168,591	A	9/1979	Shaw
4,283,878	A	8/1981	Hill et al.
4,506,473	A	3/1985	Waters
4,519,776	A	5/1985	DeYoreo et al.
4,608,774	A	9/1986	Sherman
4,802,303	A	2/1989	Floyd, III
4,907,366	A	3/1990	Balfour
4,918,856	A	4/1990	Olive et al.
4,930,251	A	6/1990	Crisanti
5,189,830	A	3/1993	Montemurro
5,205,065	A	4/1993	Wilson et al.
5,311,697	A	5/1994	Cavanaugh et al.

DESCRIPTION

This application claims priority to U.S. Pat. No. 6,920,716,
issued Jul. 26, 2005, which claims the benefit of U.S.
Provisional Application Ser. No. 60/467,677, filed May 2,
2003 entitled INSECT TRAP, and U.S. Provisional Appli-
cation Ser. No. 60/414,936, entitled INSECT TRAP, filed on
Sep. 30, 2002, which are herein incorporated by reference in
their entireties.

FIG. 1 is a perspective view of an insect trap embodying the
invention;

FIG. 2 is a side elevational view thereof;

FIG. 3 is a side elevational view diagonally opposite that of
FIG. 2;

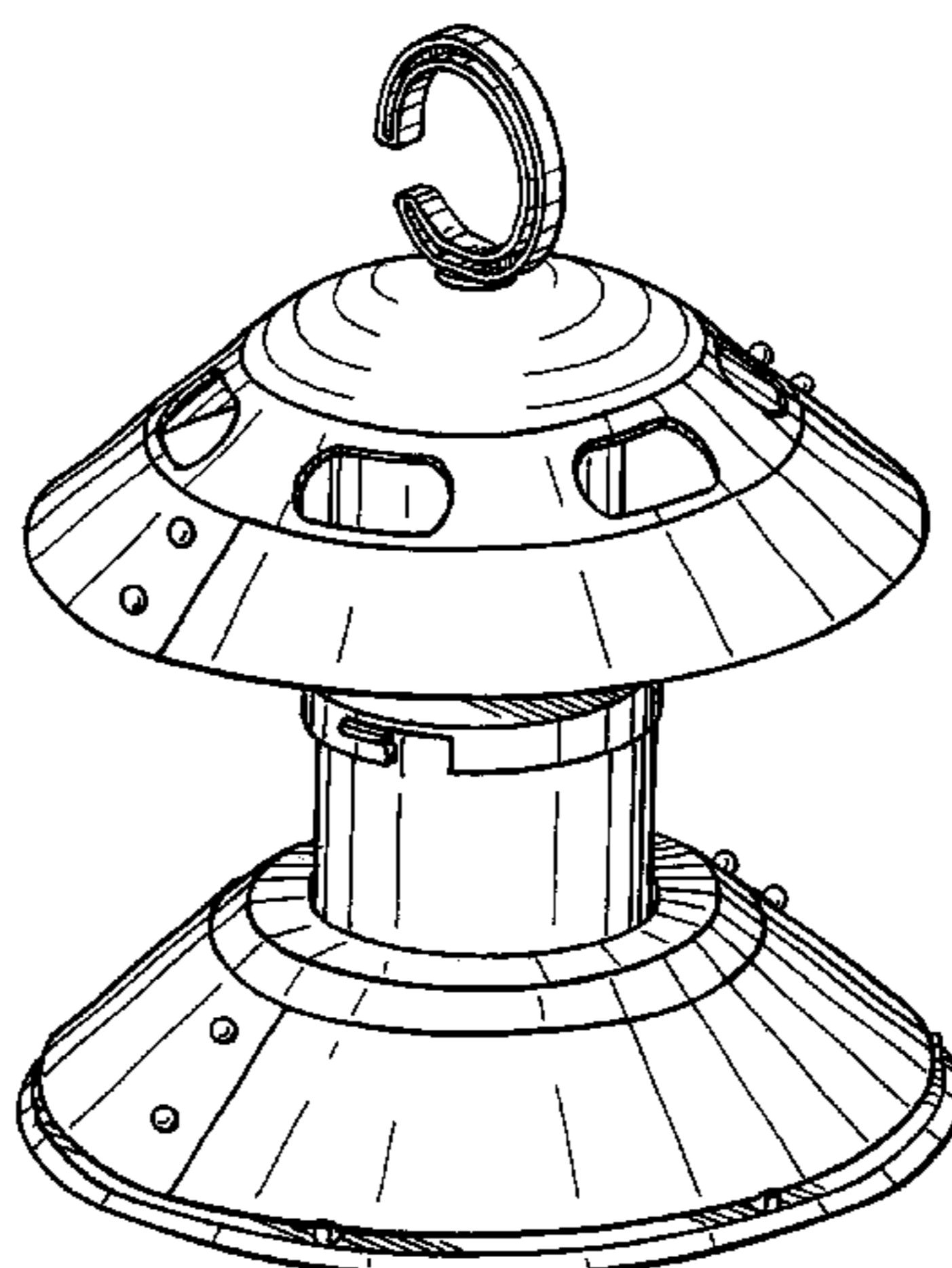
FIG. 4 is an elevational view orthogonal to the views of
FIGS. 2 and 3;

FIG. 5 is a top plan view thereof; and,

FIG. 6 is a bottom plan view thereof.

(Continued)

1 Claim, 3 Drawing Sheets



US D524,902 S

Page 2

U.S. PATENT DOCUMENTS

5,417,009	A	5/1995	Butler et al.			
5,647,164	A	7/1997	Yates			
5,799,436	A	9/1998	Nolen et al.			
5,850,707	A	12/1998	Fell et al.			
5,907,923	A	6/1999	Heath et al.			
D421,477	S	* 3/2000	Kalal	D22/122		
6,032,406	A	3/2000	Howse et al.			
6,055,766	A	5/2000	Nolen et al.			
6,138,402	A	* 10/2000	Wotton	43/107		
6,199,315	B1	3/2001	Suzue et al.			
6,209,256	B1	4/2001	Brittin et al.			
6,216,383	B1	4/2001	Klabunde et al.			
6,305,122	B1	10/2001	Iwao et al.			
6,425,202	B1	7/2002	Lin et al.			
6,467,215	B1	10/2002	Nelson et al.			
6,508,032	B1	1/2003	Lin			
6,516,559	B1	2/2003	Simchoni et al.			
6,530,172	B1	3/2003	Lenz			
6,546,667	B1	4/2003	Carter			
D482,099	S	* 11/2003	Chen	D22/122		
6,655,078	B1	12/2003	Winner et al.			
6,675,528	B1	1/2004	Jablin			
6,718,687	B1	4/2004	Robison			
D491,247	S	* 6/2004	Chuang et al.	D22/122		
D492,381	S	* 6/2004	Chuang et al.	D22/122		
6,823,622	B1	11/2004	Lin et al.			
6,920,716	B1	7/2005	Kollars, Jr. et al.			
2003/0033747	A1	2/2003	Crawley et al.			
2004/0025412	A1	2/2004	Simchoni et al.			
2004/0103579	A1	6/2004	Nolen et al.			
2004/0139648	A1	7/2004	Durand et al.			

* cited by examiner

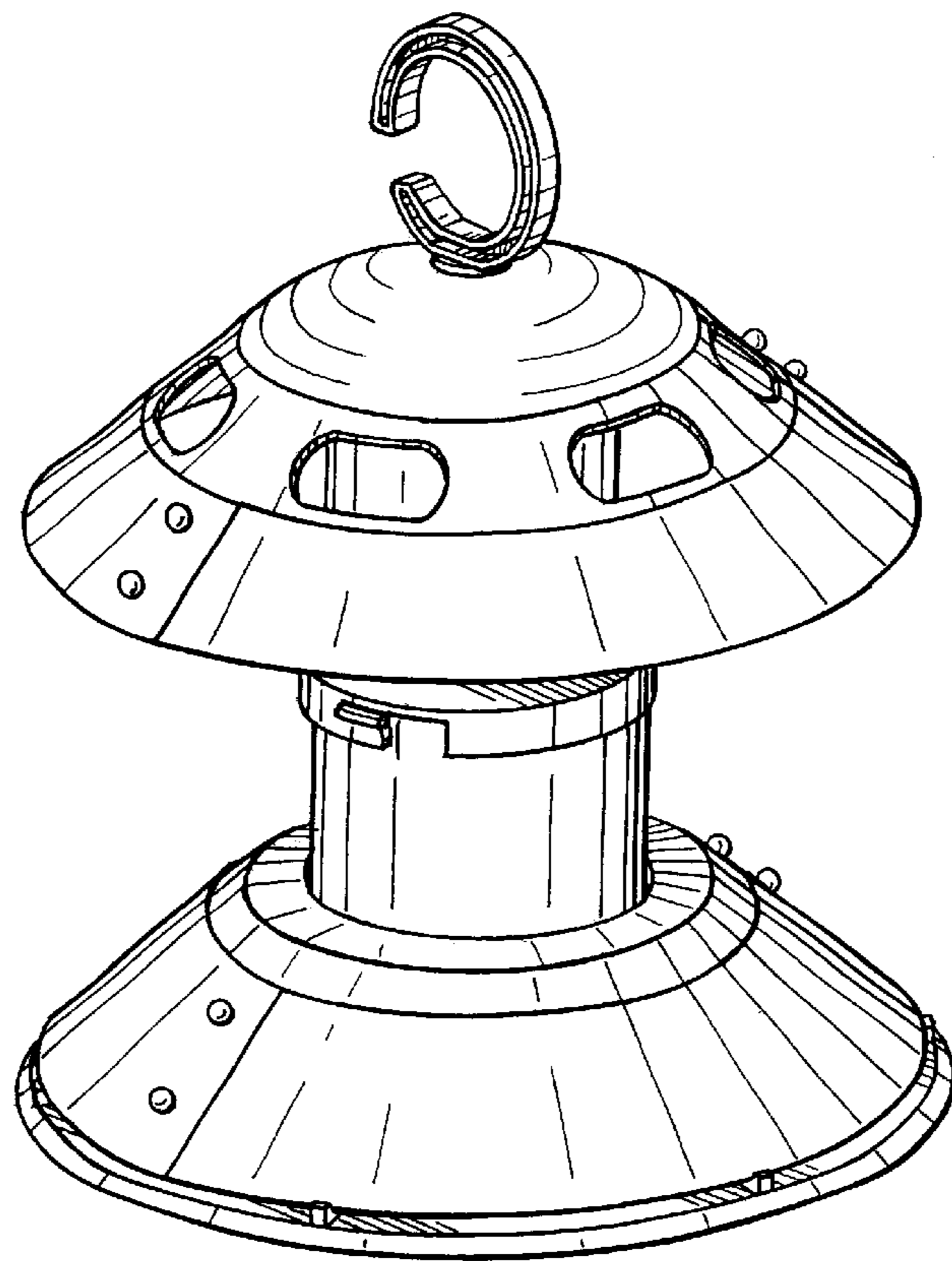


Fig. 1

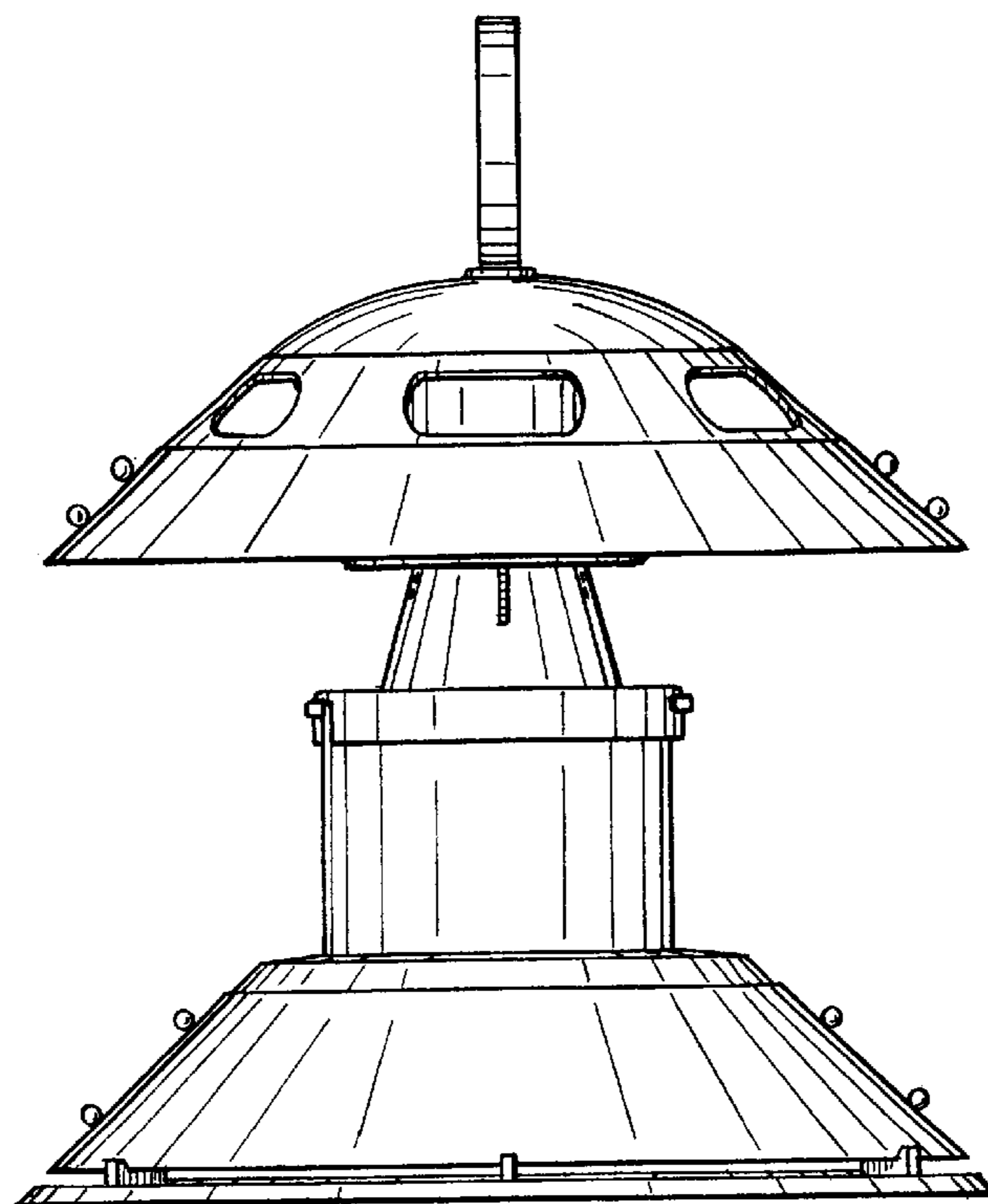


Fig. 2

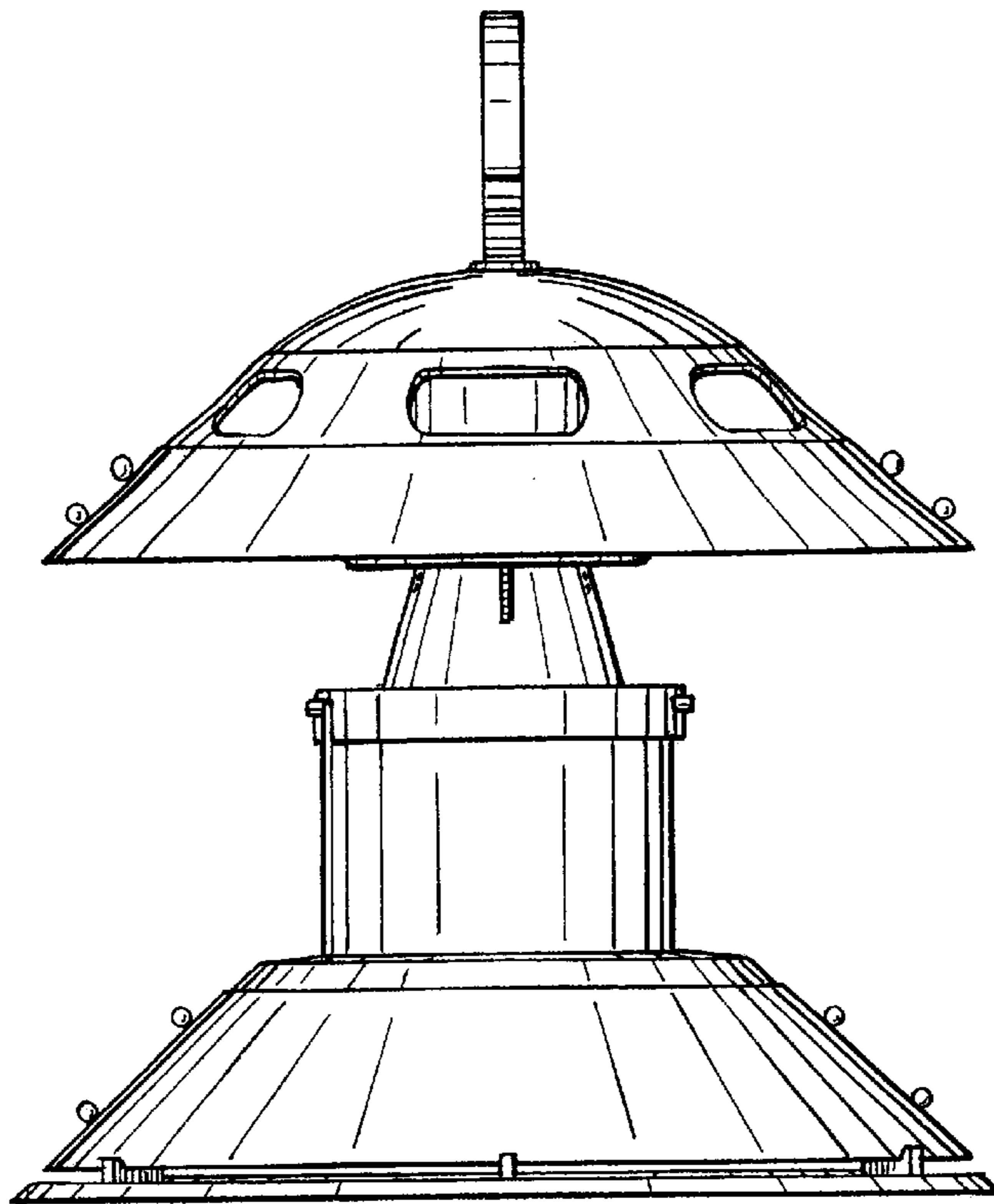


Fig. 3

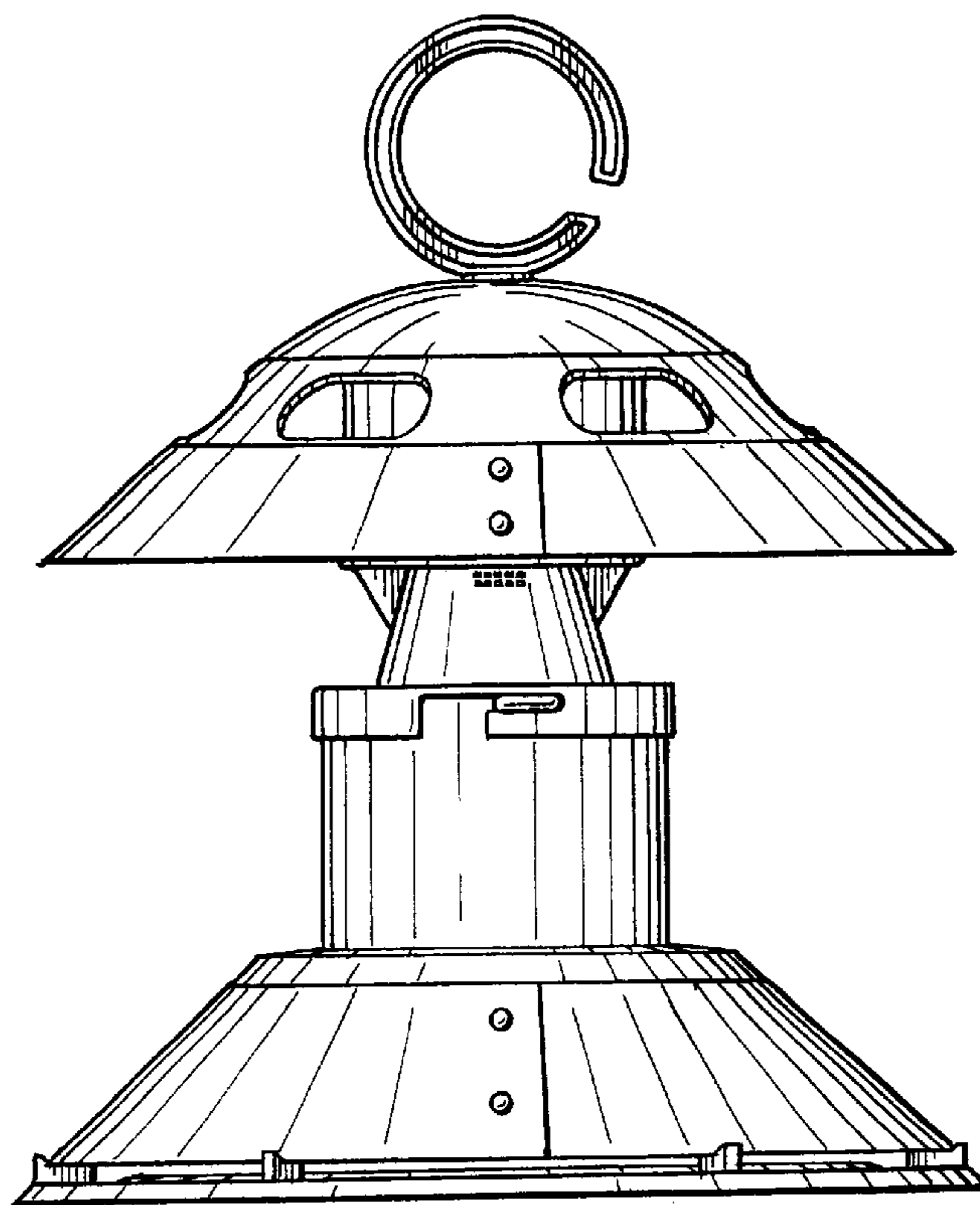


Fig. 4

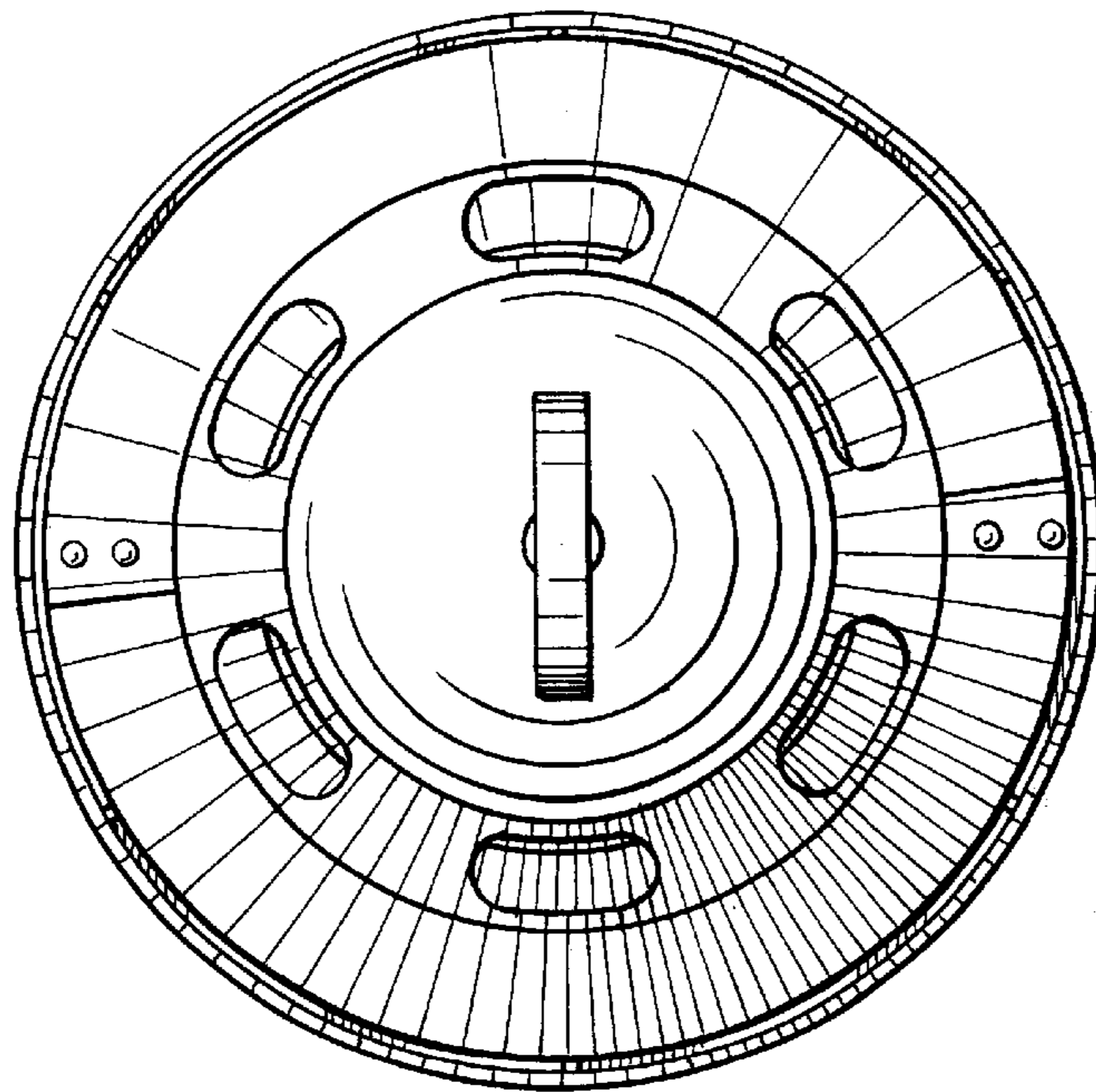


Fig. 5

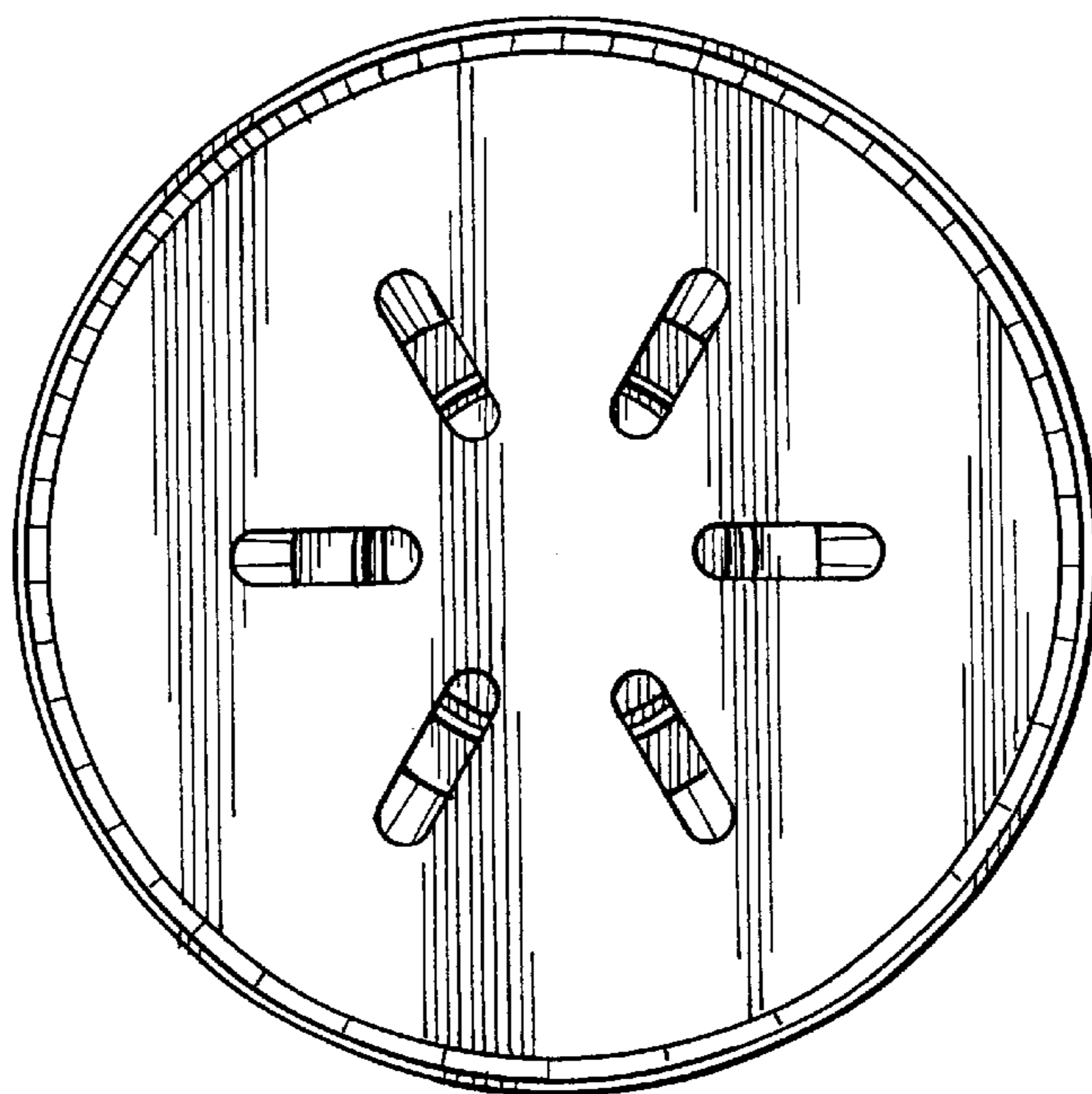


Fig. 6