



US00D524898S

(12) **United States Design Patent**
VanDeusen et al.

(10) **Patent No.:** **US D524,898 S**

(45) **Date of Patent:** **** Jul. 11, 2006**

(54) **TIGER PLAY STRUCTURE**

(75) Inventors: **Gary VanDeusen**, Hillsdale, MI (US);
Dwight C. Shaneour, Jr., Hillsdale, MI (US)

(73) Assignee: **The Shane Group**, Hillsdale, MI (US)

(**) Term: **14 Years**

(21) Appl. No.: **29/228,606**

(22) Filed: **Apr. 26, 2005**

(51) **LOC (8) Cl.** **21-03**

(52) **U.S. Cl.** **D21/820; D21/826**

(58) **Field of Classification Search** D21/811-827;
482/35, 36; 472/116

See application file for complete search history.

(56) **References Cited**

U.S. PATENT DOCUMENTS

D130,761 S	*	12/1941	Oermann	D21/820
D212,484 S	*	10/1968	Harness	D21/820
D334,040 S	*	3/1993	Chou et al.	D21/820
D334,045 S	*	3/1993	Chou et al.	D21/820
D361,116 S	*	8/1995	Shaneour	D21/826
D424,138 S	*	5/2000	Joyner	D21/820
D436,224 S	*	1/2001	Gardner et al.	D21/827

D440,623 S	*	4/2001	Gardner et al.	D21/827
D441,825 S	*	5/2001	Han	D21/820
D495,771 S	*	9/2004	Tracy	D21/826

* cited by examiner

Primary Examiner—Mitchell Siegel

(74) *Attorney, Agent, or Firm*—Young & Basile, P.C.

(57) **CLAIM**

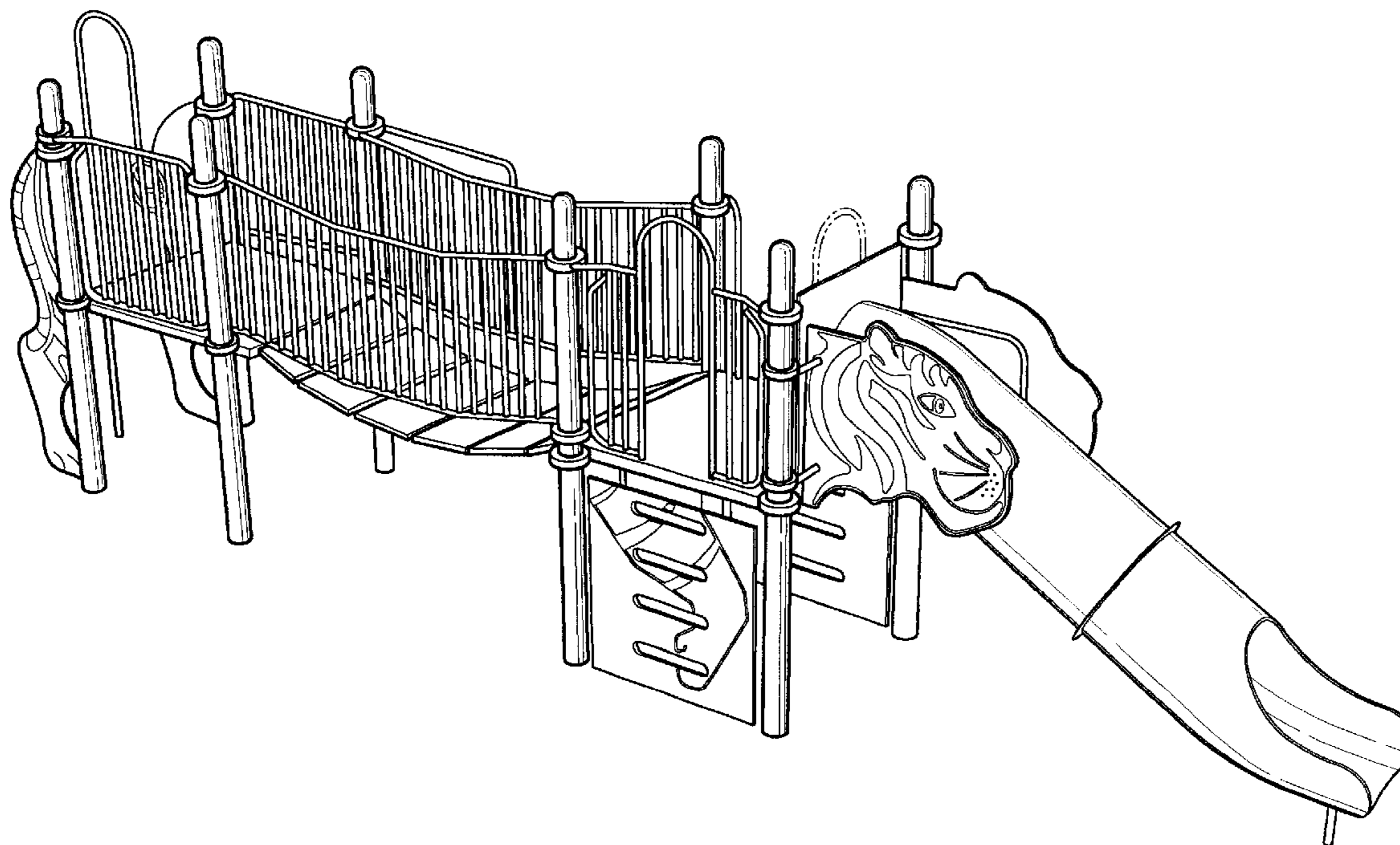
The ornamental design for a tiger play structure, as shown and described.

DESCRIPTION

FIG. 1 is a perspective view of the tiger play structure; FIG. 2 is a top plan view of the tiger play structure of FIG. 1; FIG. 3 is an elevation view of the tiger play structure of FIG. 1; FIG. 4 is an elevation view of the tiger play structure of FIG. 1; FIG. 5 is a front elevation view of the tiger play structure of FIG. 1; and, FIG. 6 is a rear elevation view of the tiger play structure of FIG. 1.

The broken line showing of environment is for illustrative purposes only and forms no part of the claimed design.

1 Claim, 5 Drawing Sheets



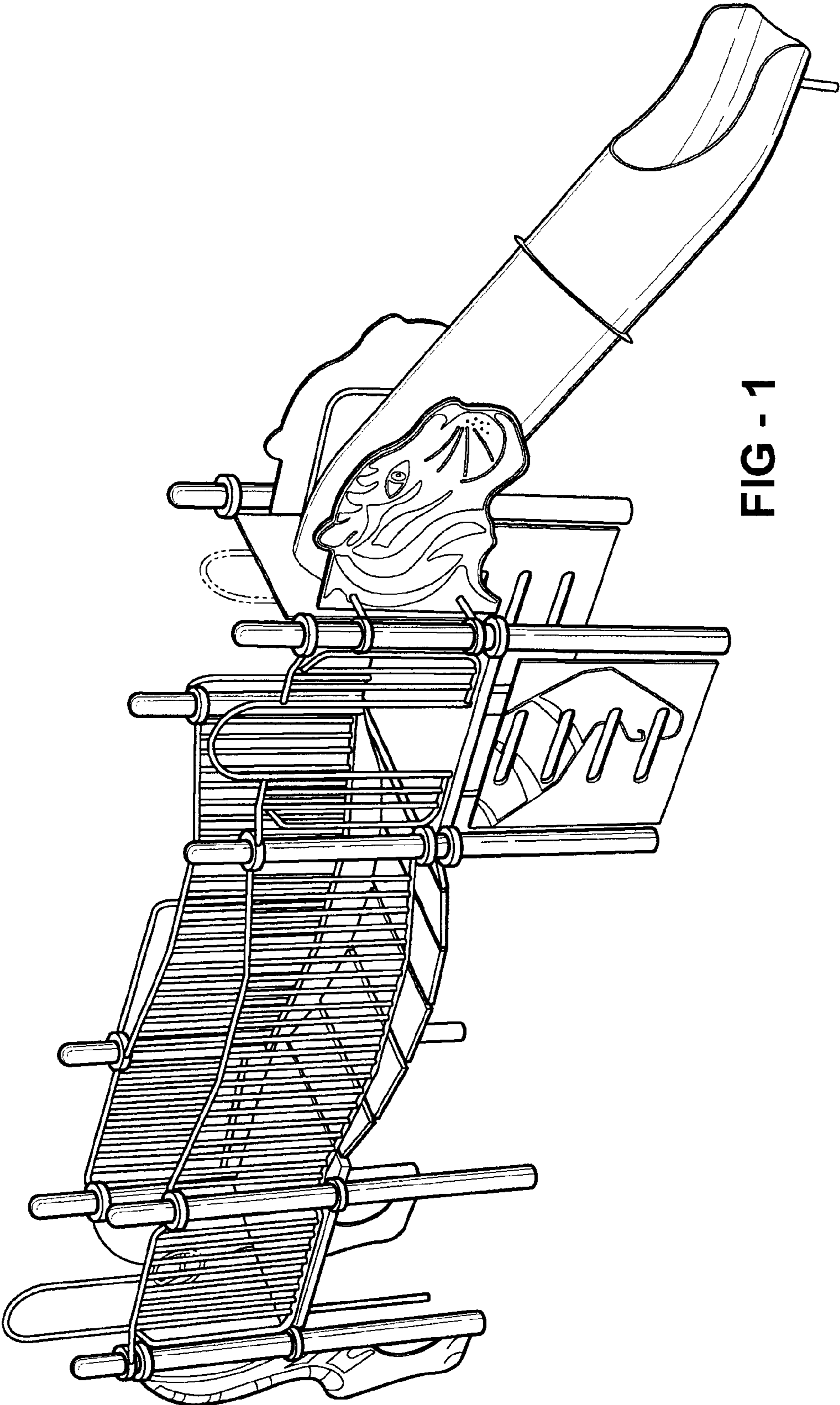


FIG - 1

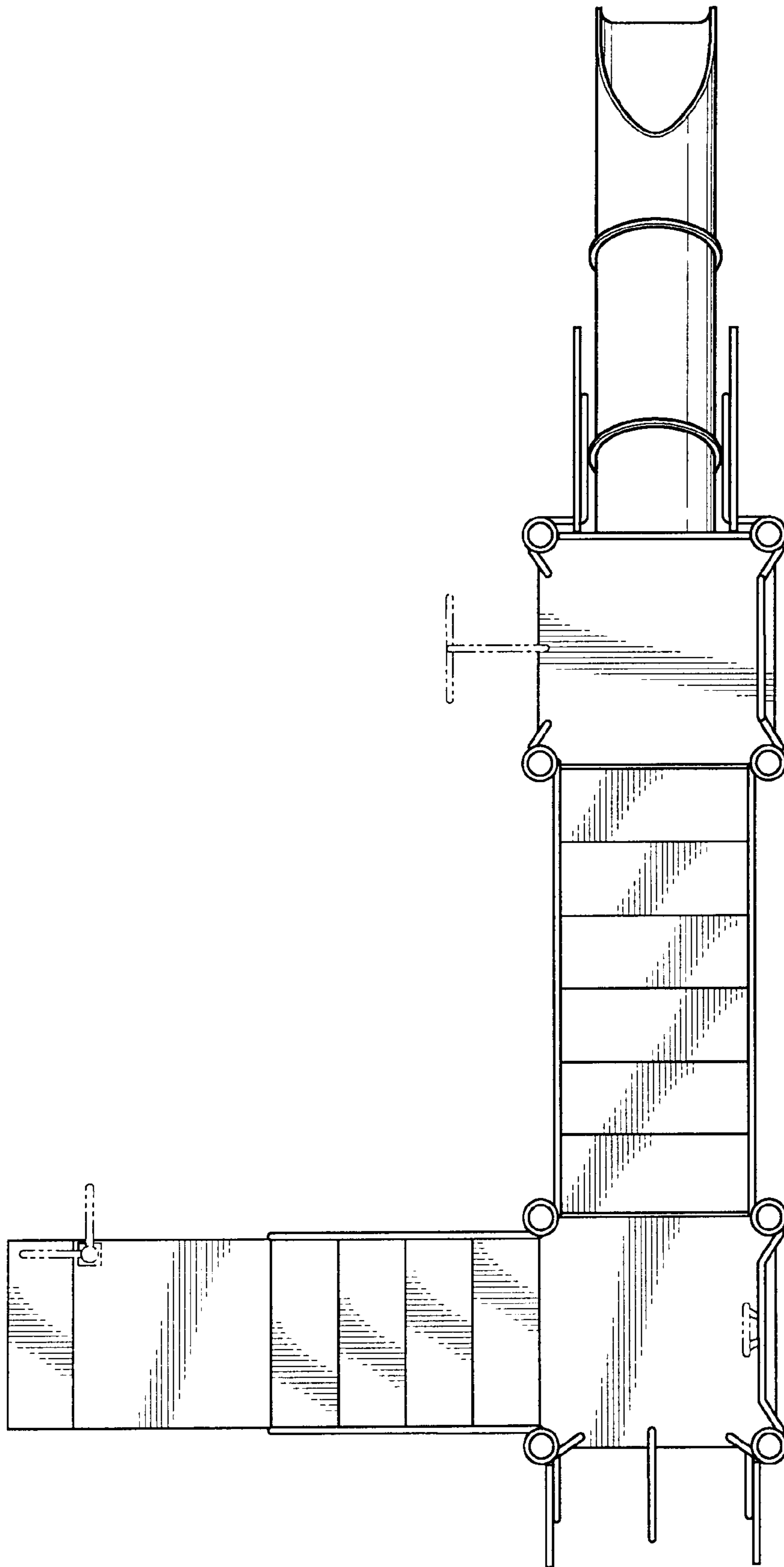


FIG - 2

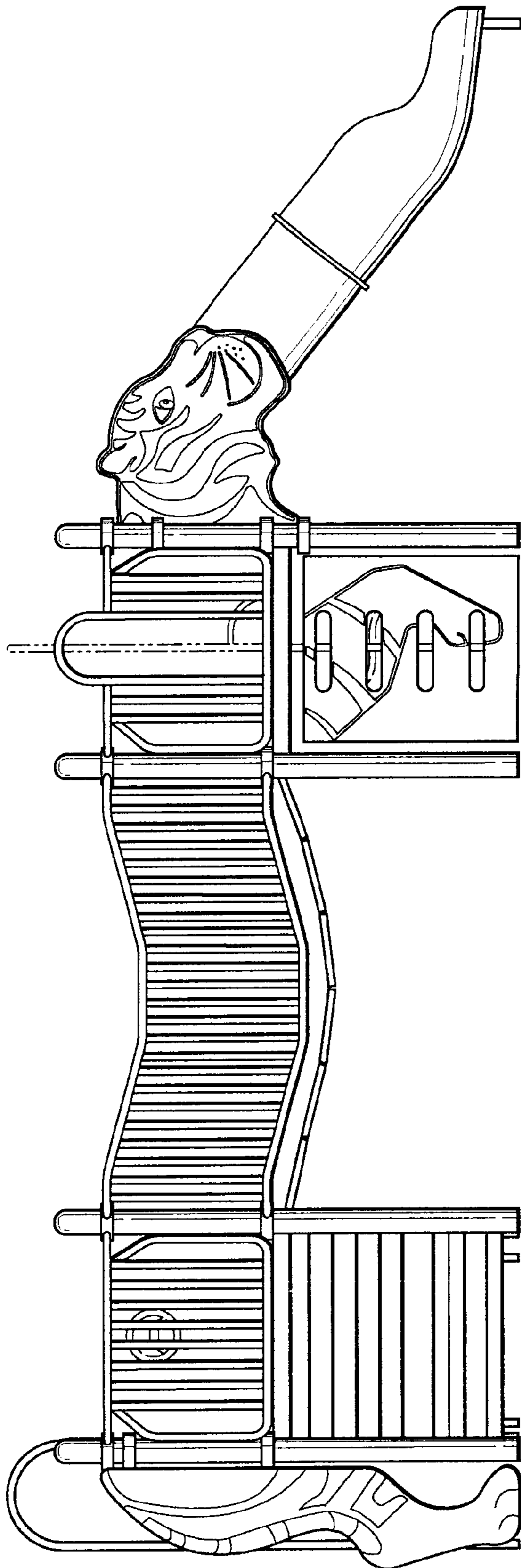


FIG - 3

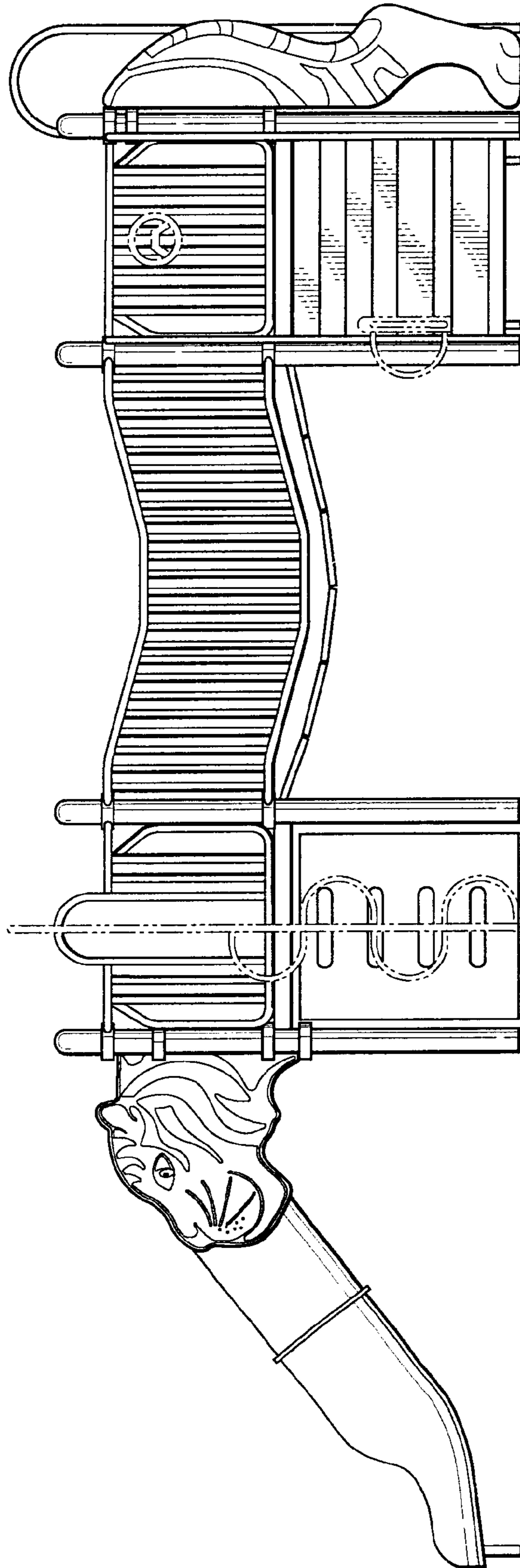


FIG - 4

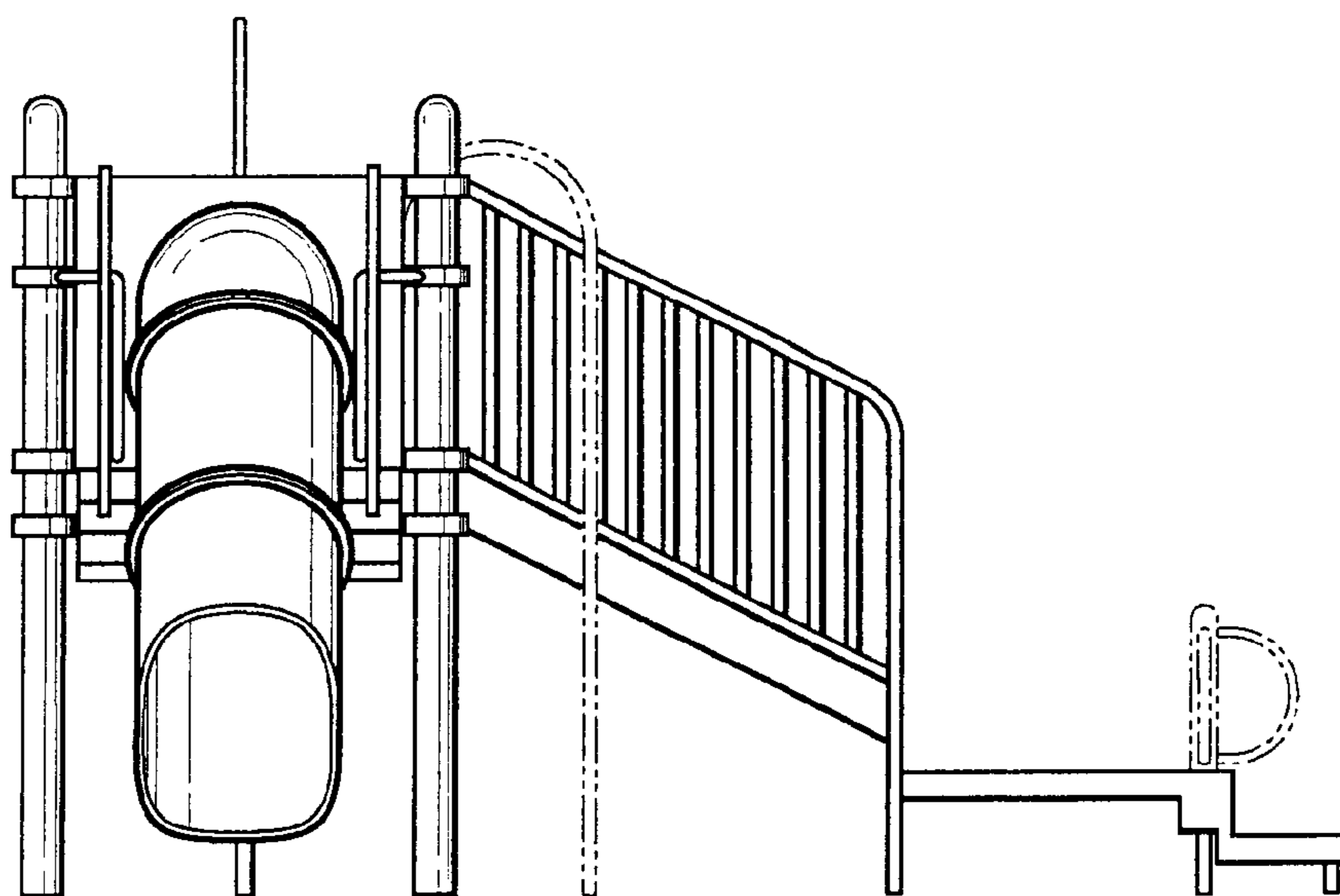


FIG - 5

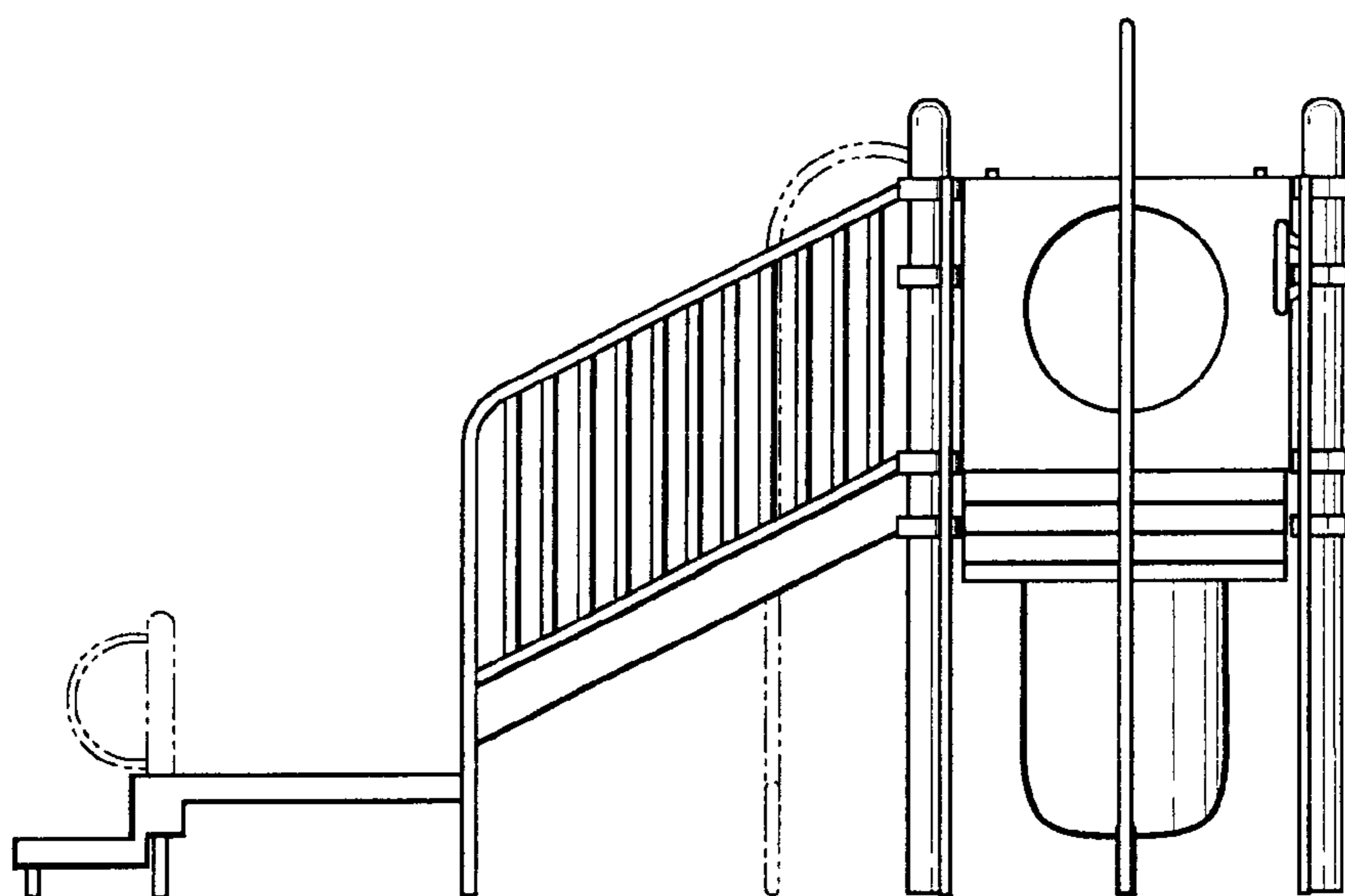


FIG - 6