



US00D524897S

(12) **United States Design Patent**  
**VanDeusen et al.**

(10) **Patent No.:** **US D524,897 S**  
(45) **Date of Patent:** **\*\* Jul. 11, 2006**

(54) **RHINOCEROS PLAY STRUCTURE**

(75) Inventors: **Gary VanDeusen**, Hillsdale, MI (US);  
**Dwight C. Shaneour, Jr.**, Hillsdale, MI (US)

(73) Assignee: **The Shane Group**, Hillsdale, MI (US)

(\*\*) Term: **14 Years**

(21) Appl. No.: **29/228,605**

(22) Filed: **Apr. 26, 2005**

(51) **LOC (8) Cl.** ..... **21-03**

(52) **U.S. Cl.** ..... **D21/820; D21/826**

(58) **Field of Classification Search** ..... D21/811-827;  
482/35, 36; 472/116

See application file for complete search history.

(56) **References Cited**

**U.S. PATENT DOCUMENTS**

D130,761 S	*	12/1941	Oermann	.....	D21/820
D212,484 S	*	10/1968	Harness	.....	D21/820
D334,040 S	*	3/1993	Chou et al.	.....	D21/820
D334,045 S	*	3/1993	Chou et al.	.....	D21/820
D361,116 S	*	8/1995	Shaneour	.....	D21/826
D424,138 S	*	5/2000	Joyner	.....	D21/820
D436,224 S	*	1/2001	Gardner et al.	.....	D21/827

D440,623 S	*	4/2001	Gardner et al.	.....	D21/827
D441,825 S	*	5/2001	Han	.....	D21/820
D495,771 S	*	9/2004	Tracy	.....	D21/826

\* cited by examiner

*Primary Examiner*—Mitchell Siegel

(74) *Attorney, Agent, or Firm*—Young & Basile, P.C.

(57) **CLAIM**

The ornamental design for a rhinoceros play structure, as shown and described.

**DESCRIPTION**

FIG. 1 is a perspective view of the rhinoceros play structure; FIG. 2 is a top plan view of the rhinoceros play structure of FIG. 1;

FIG. 3 is an elevation view of the rhinoceros play structure of FIG. 1;

FIG. 4 is an elevation view of the rhinoceros play structure of FIG. 1;

FIG. 5 is a front elevation view of the rhinoceros play structure of FIG. 1; and,

FIG. 6 is a rear elevation view of the rhinoceros play structure of FIG. 1.

The broken line showing of environment is for illustrative purposes only and forms no part of the claimed design.

**1 Claim, 5 Drawing Sheets**



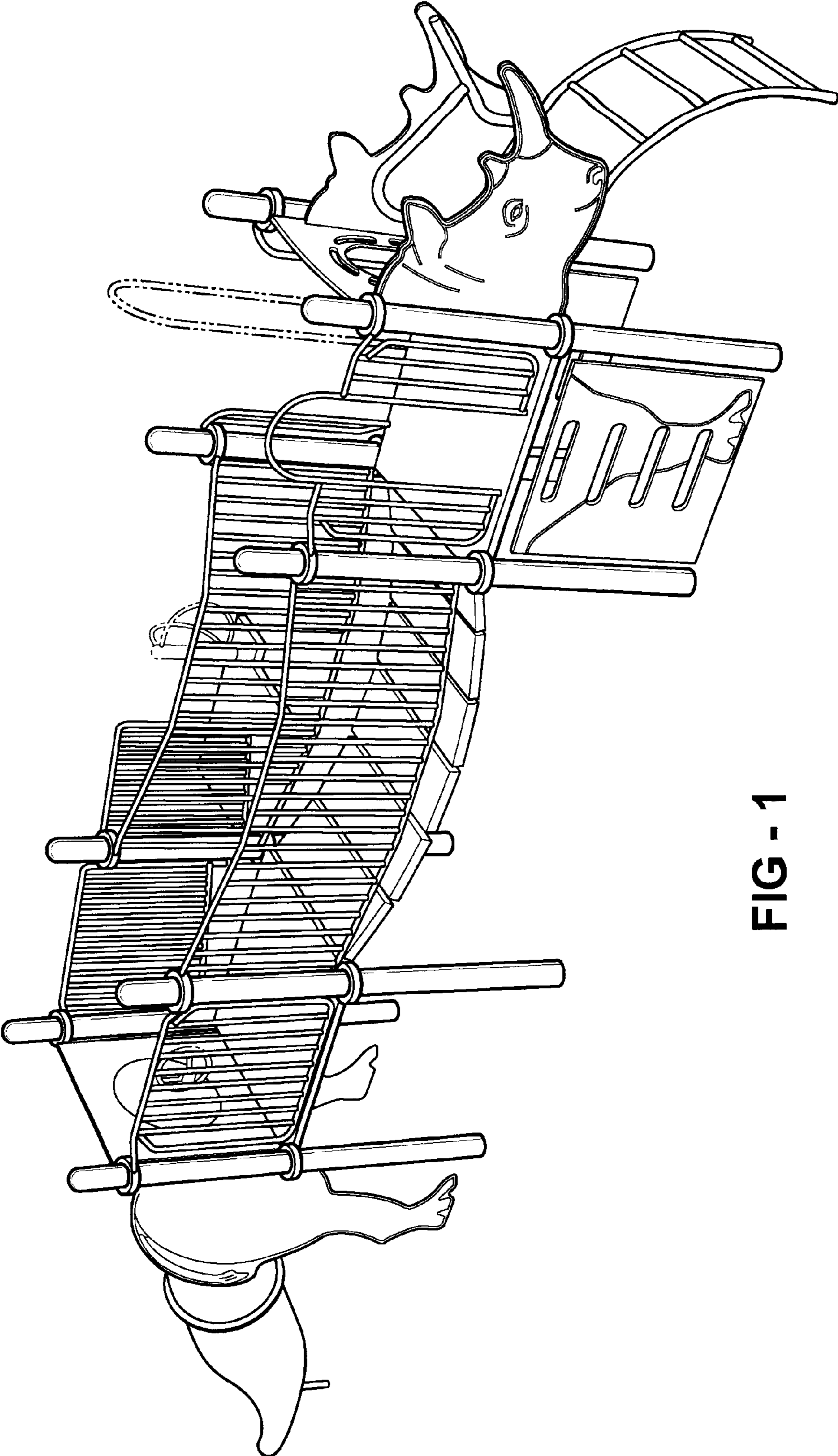


FIG - 1

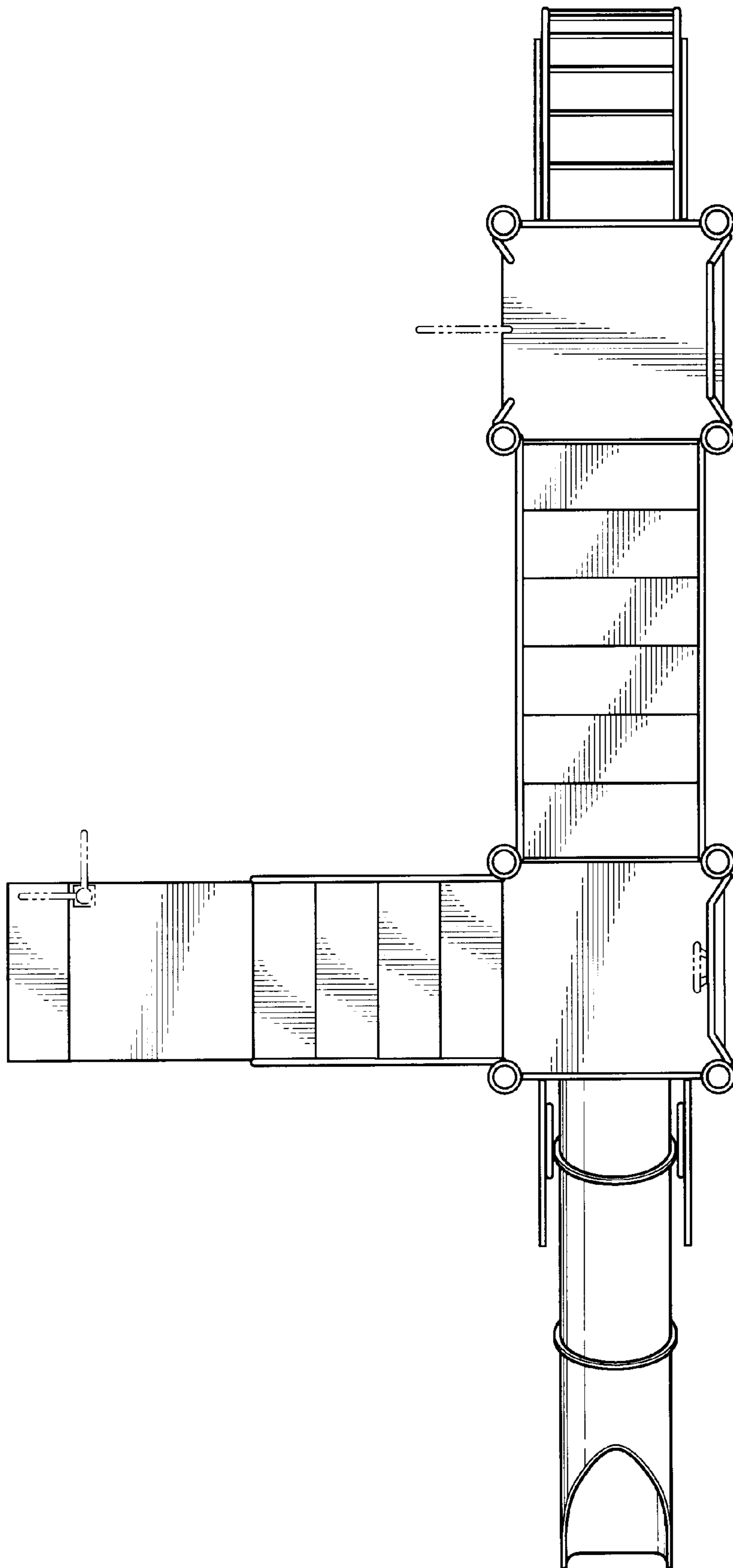


FIG - 2

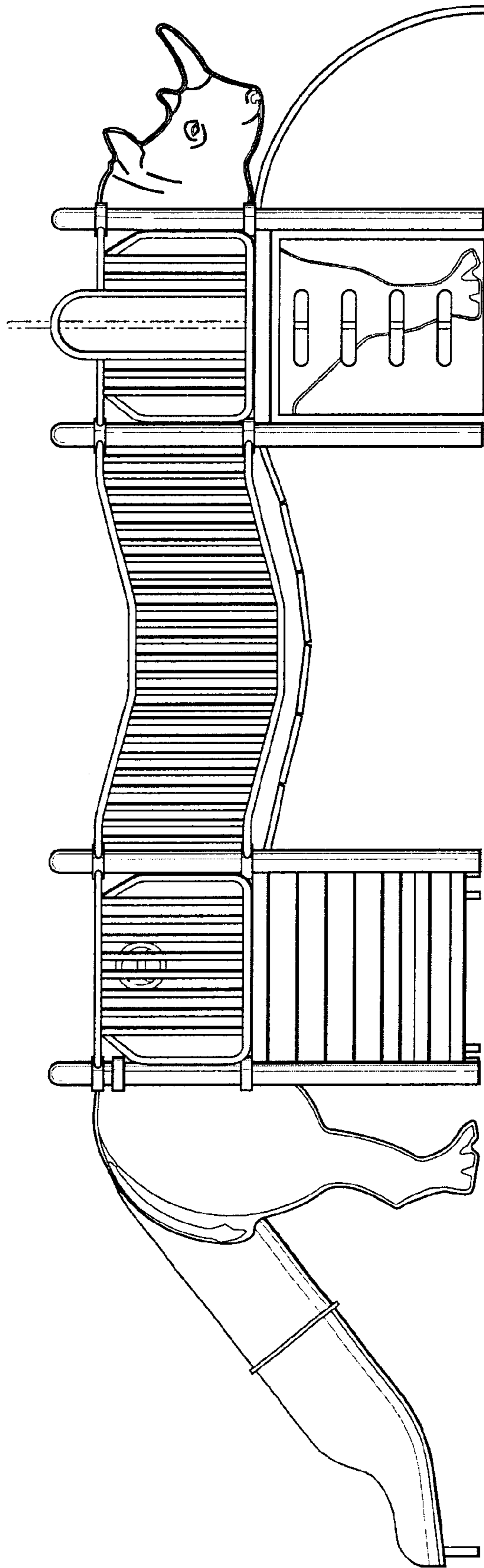


FIG - 3

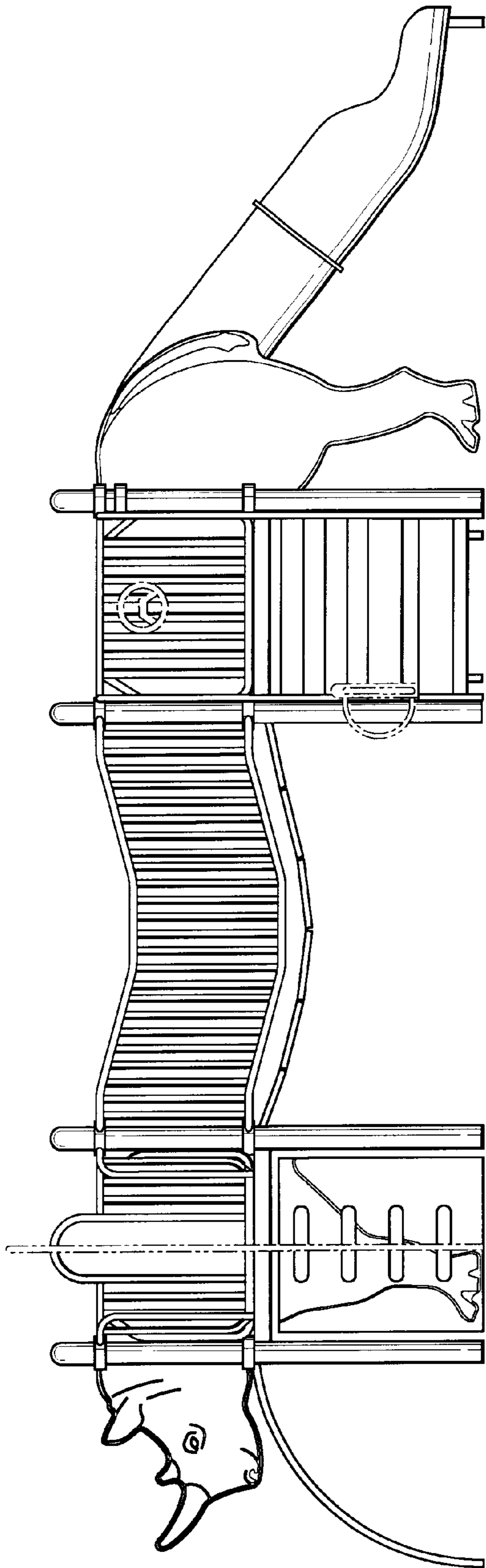
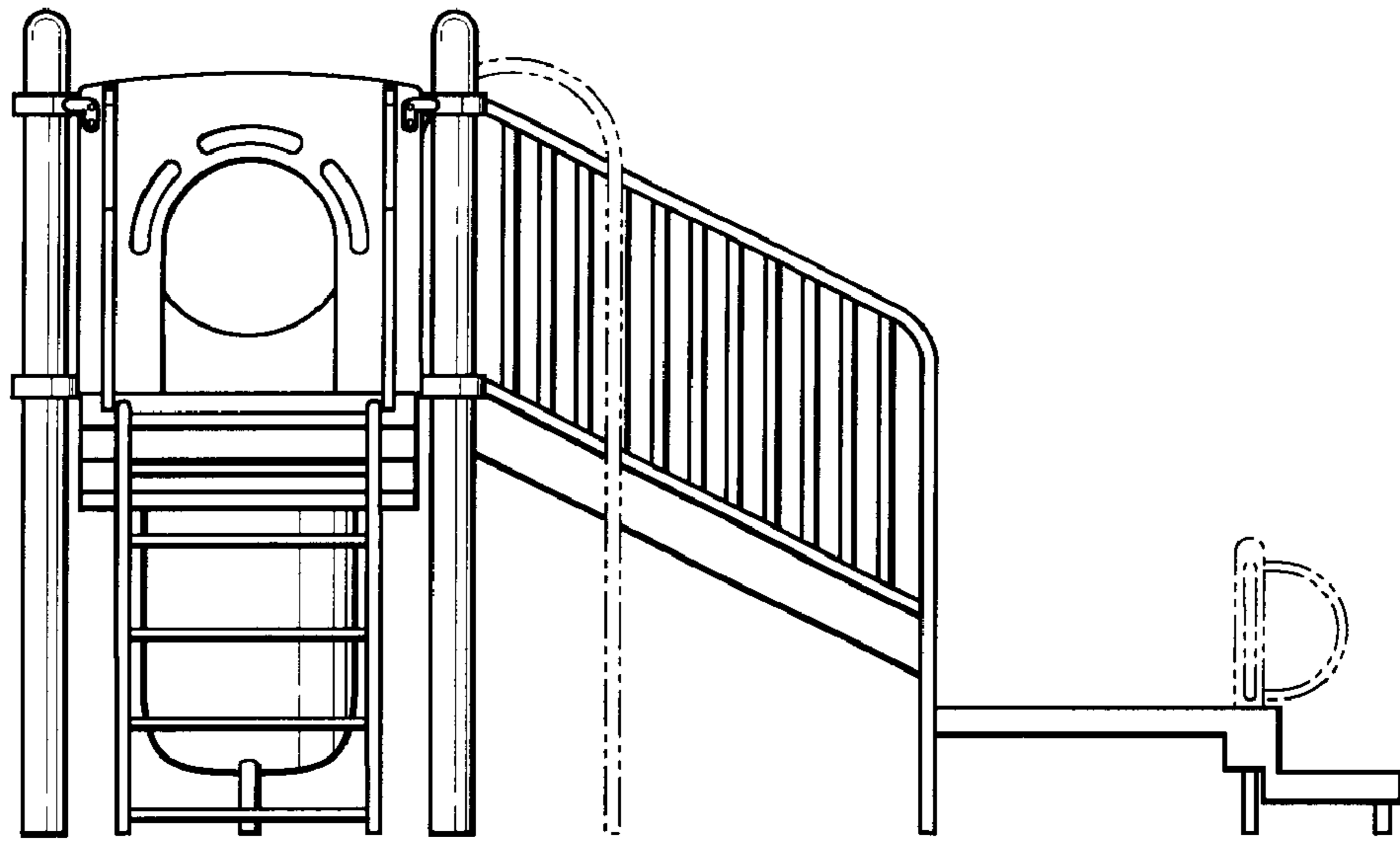
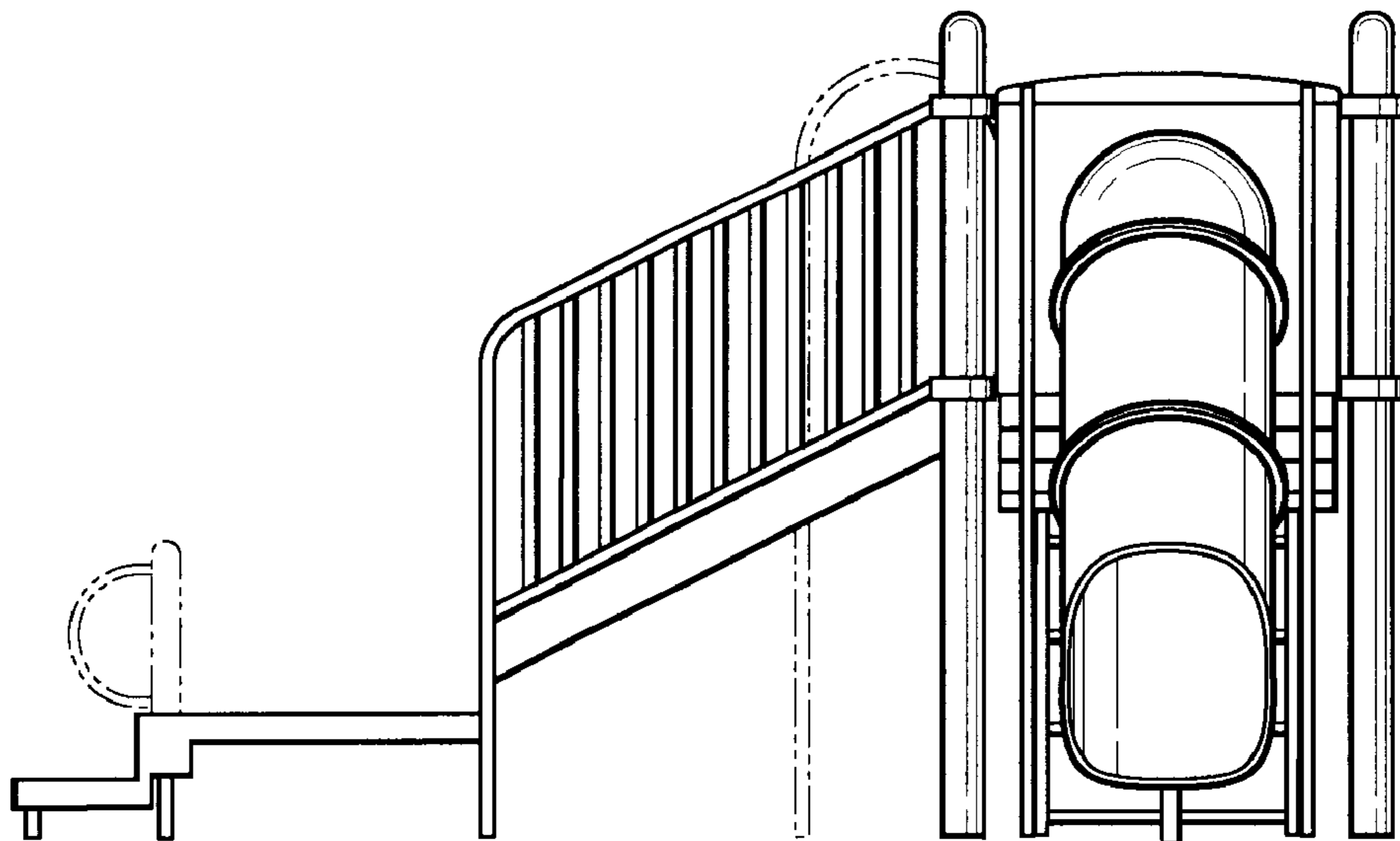


FIG - 4



**FIG - 5**



**FIG - 6**