

US00D524886S

(12) **United States Design Patent**
Baril

(10) **Patent No.:** **US D524,886 S**

(45) **Date of Patent:** **** Jul. 11, 2006**

(54) **GOLF BALL PICKER**

D506,517 S * 6/2005 Crippen D21/721

(76) Inventor: **Maurice Baril**, 790, Emile-Baril,
Trois-Rivières, Quebec (CA), G9B7K5

* cited by examiner

Primary Examiner—Mitchell Siegel

(**) Term: **14 Years**

(57) **CLAIM**

(21) Appl. No.: **29/227,605**

The ornamental design for a golf ball picker, as shown and described.

(22) Filed: **Apr. 13, 2005**

DESCRIPTION

(51) **LOC (8) Cl.** **21-02**

(52) **U.S. Cl.** **D21/721; D21/789**

(58) **Field of Classification Search** D21/789,
D21/721; 473/286; 294/19.2, 110.1
See application file for complete search history.

FIG. 1 is a perspective view of the golf ball picker;
FIG. 2 is a perspective view thereof, with the picker being retracted into the handle;
FIG. 3. is a top plan view of FIG. 1
FIG. 4. is a side view of FIG. 4, all other sides being identical;
FIG. 5. is a top plan view of FIG. 2; and,
FIG. 6. is a side view of FIG. 2, all other sides being identical.

(56) **References Cited**

U.S. PATENT DOCUMENTS

1,723,091 A * 8/1929 St John 294/19.2
5,924,175 A * 7/1999 Lippitt et al. 294/19.2
6,743,113 B1 * 6/2004 Pettinga et al. 473/286

The broken line showing is for illustrative purposes only and forms no part of the claimed design.

1 Claim, 3 Drawing Sheets

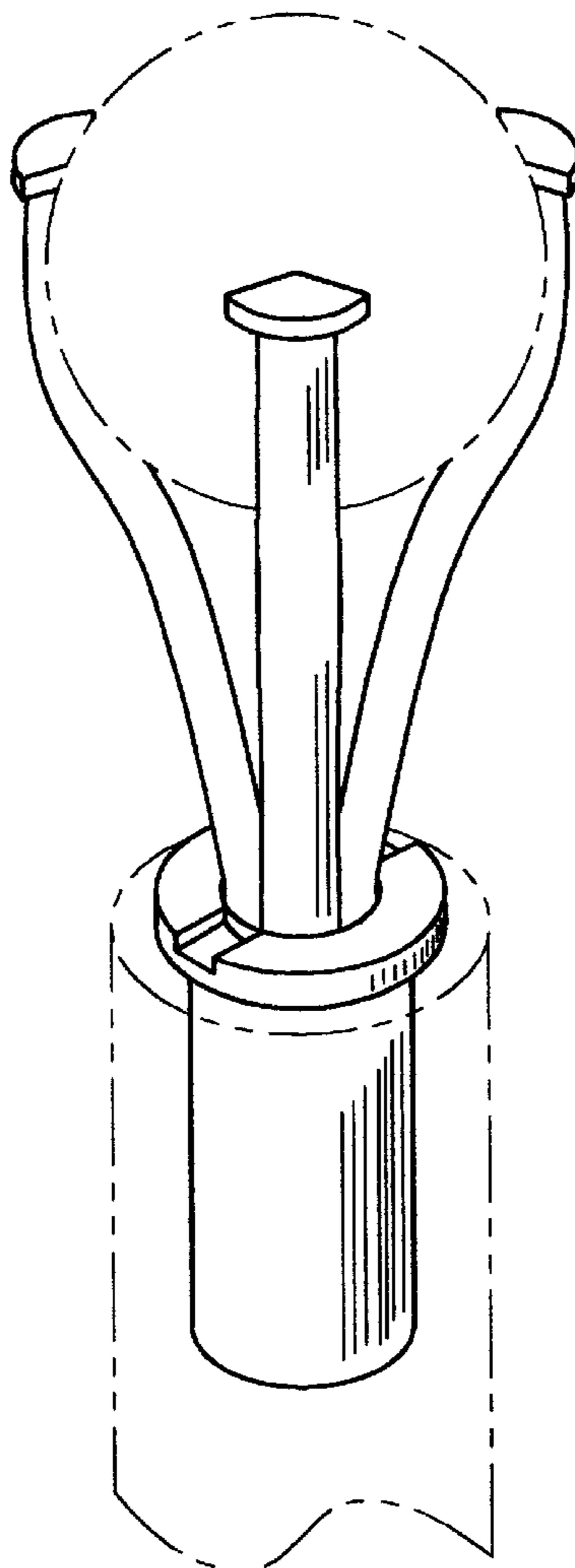


FIG. 1

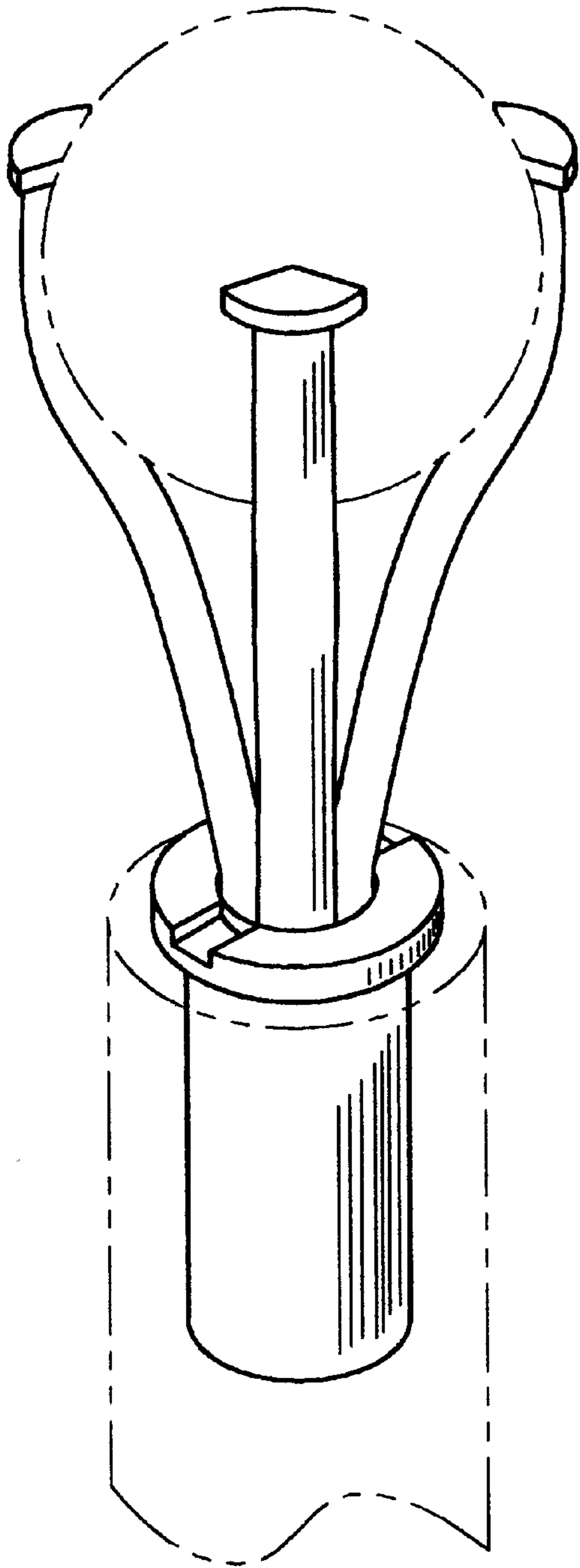


FIG. 2

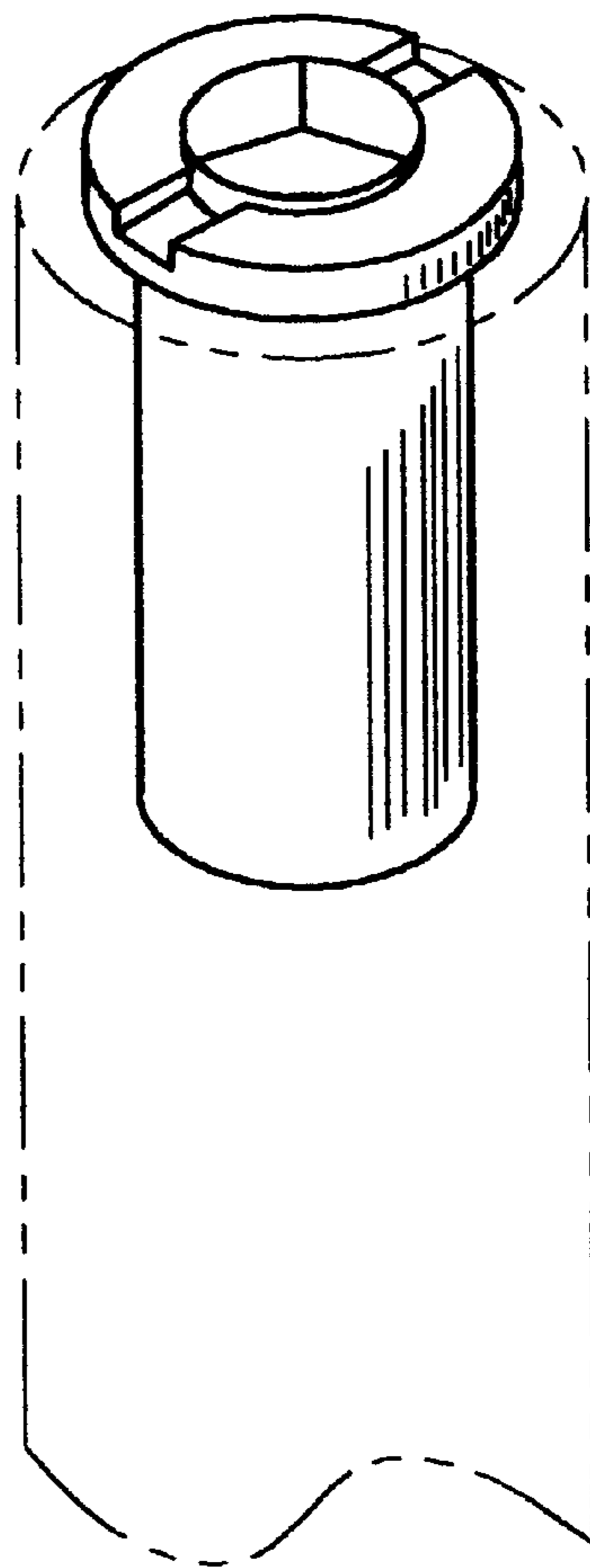


FIG. 3

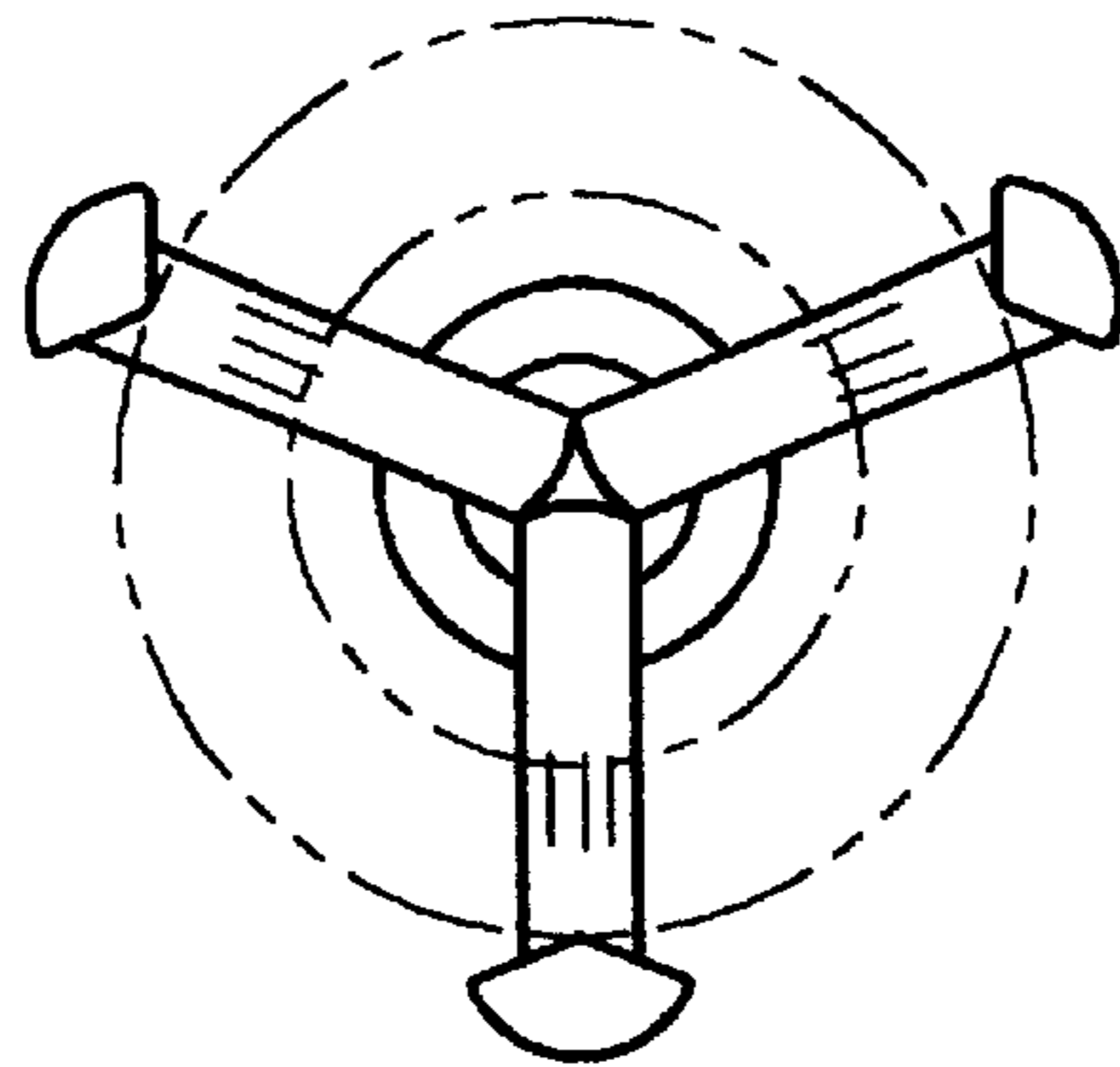


FIG. 4

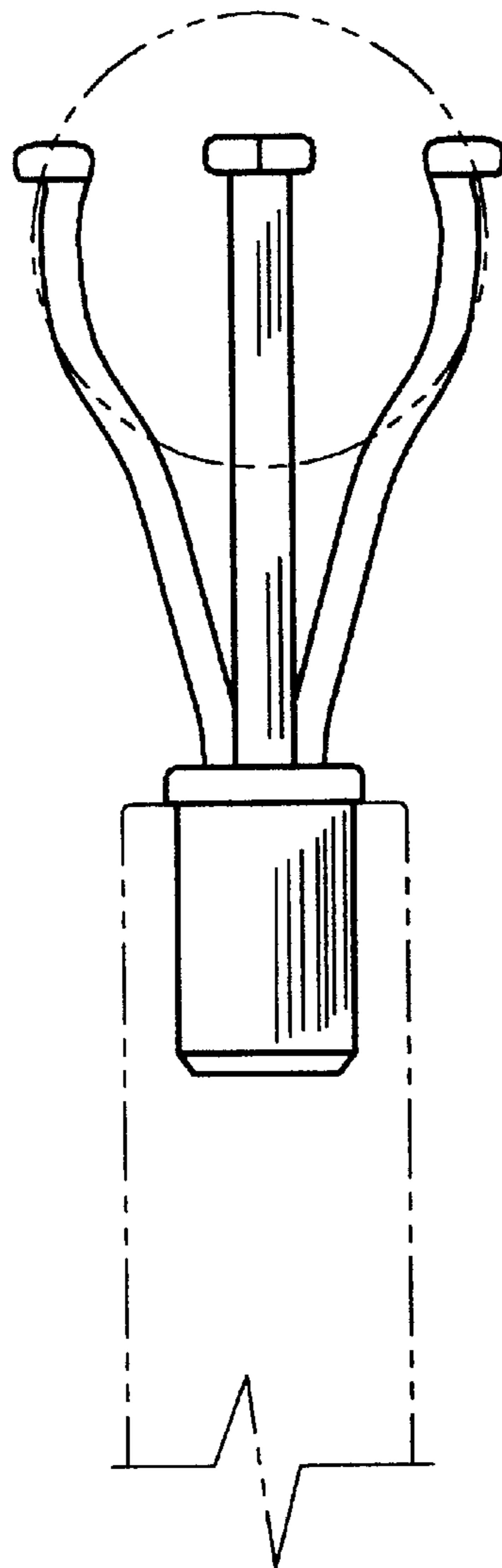


FIG. 5

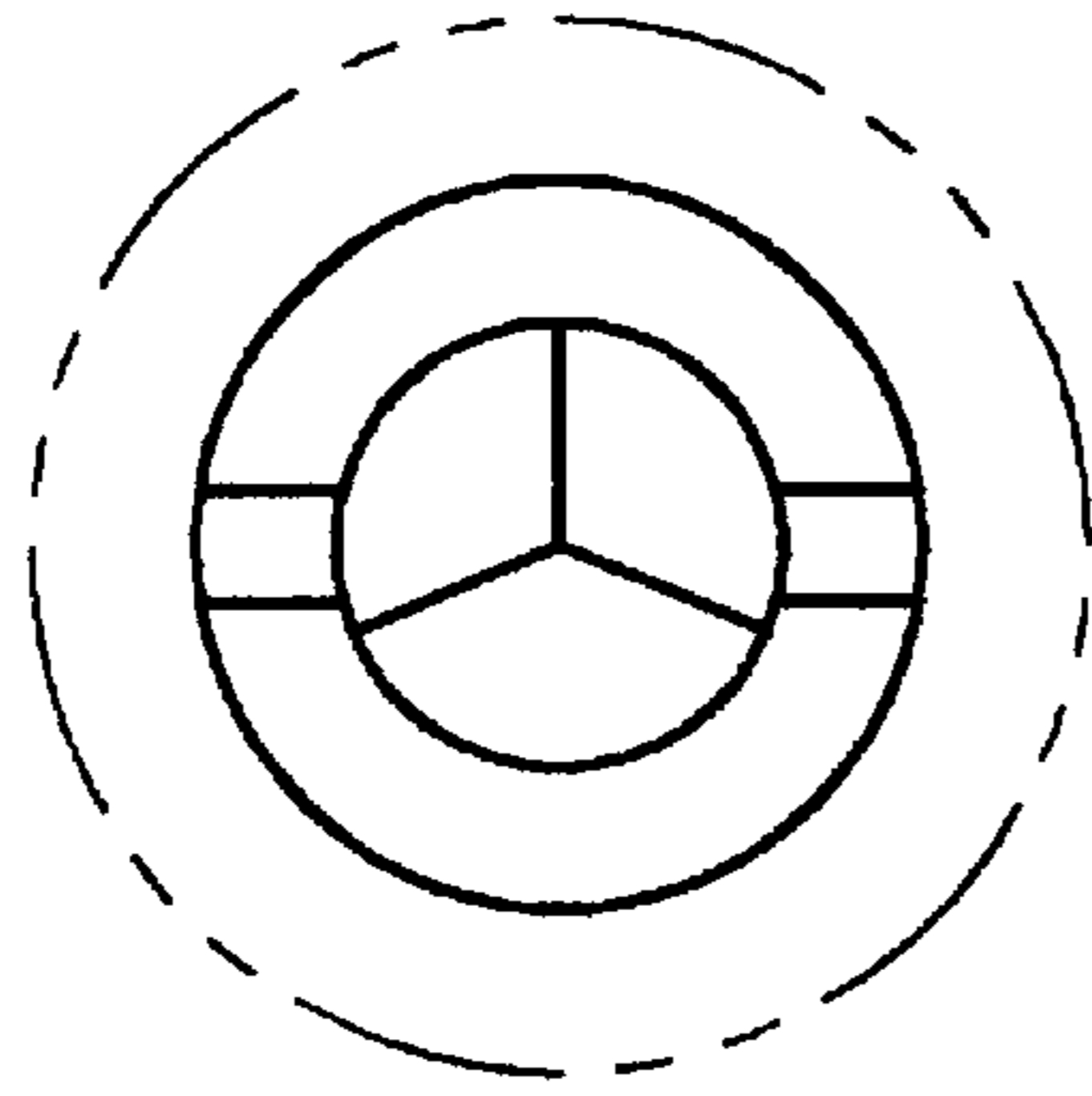


FIG. 6

