



US00D524879S

(12) **United States Design Patent**
Chavez

(10) **Patent No.:** **US D524,879 S**
(45) **Date of Patent:** **** Jul. 11, 2006**

(54) **ROOF SYSTEM FOR A LOG BUILDING TOY**

(76) Inventor: **Raul Chavez**, 1650 Sioux Dr.
CH44-766, El Paso, TX (US) 79925

(**) Term: **14 Years**

(21) Appl. No.: **29/183,685**

(22) Filed: **Jun. 16, 2003**

(30) **Foreign Application Priority Data**

Jun. 24, 2002 (MM) PA/a/2002/006946

(51) **LOC (8) Cl.** **21-01**

(52) **U.S. Cl.** **D21/494; D21/487; D21/491**

(58) **Field of Classification Search** D21/484-511;
D25/16, 22-30, 35; 446/85, 105-110, 476;
52/92.1, 233

See application file for complete search history.

(56) **References Cited**

U.S. PATENT DOCUMENTS

1,204,908 A * 11/1916 Schwarz 446/105

(Continued)

Primary Examiner—Raphael Barkai

(57) **CLAIM**

The ornamental design for a roof system for a log building toy, as shown and described.

DESCRIPTION

A portion of the disclosure of this patent document contains material, which is subject to copyright or mask work protection. The copyright or mask work owner has no objection to the reproduction by anyone of the patent document or the patent disclosure, as it appears in the United States Patent and Trademark Office patent file or records, but otherwise reserves all copyrights or mask work rights whatsoever.

The toy model presented on this patent application and the new roofing system once it is fully assembled, it becomes a rigid and sturdy structure capable of standing by itself, and it's components provide great versatility in regards to the different sizes and functions that the construction may have.

The novelty and main feature of this system to assemble the cabin's roof is the way to put and hold in place the Special Roof Slats (c), and the form these slats hold together and lock in place with the upper slot on the Lateral Support Logs (a), keeping all pieces firmly in place and giving a new ornamental appearance to the buildings constructed with it. FIG. 1 is a perspective view of the roof system for a log building toy showing my new design;

FIG. 2 is a perspective view of the top of the building illustrating the basic toy log cabin structure before the roof system is assembled;

FIG. 3 is a perspective view of the lateral support logs;

FIG. 4 is a cross sectional view of the lateral support log;

FIG. 5 is a perspective view similar to FIG. 3 but showing the central support log;

FIG. 6 is a perspective view as seen from the bottom of the building, showing the special roof slats;

FIG. 7 is a detailed view of the special roof slats;

FIG. 8 is another detailed view of the special roof slats;

FIG. 9 is a perspective view of the lateral support log;

FIG. 10 is a side view of the lateral support log;

FIG. 11 is an end view of the lateral support log;

FIG. 12 is a side view of the shorter lateral support log;

FIG. 13 is an end view of the shorter lateral support log;

FIG. 14 is a perspective view of the central support log;

FIG. 15 is a side view of the central support log;

FIG. 16 is an end view of the central support log;

FIG. 17 is a side view of the shorter central support log;

FIG. 18 is an end view of the shorter central support log;

FIG. 19 a perspective view of the special roof slat;

FIG. 20 is a side view of the special roof slat; and,

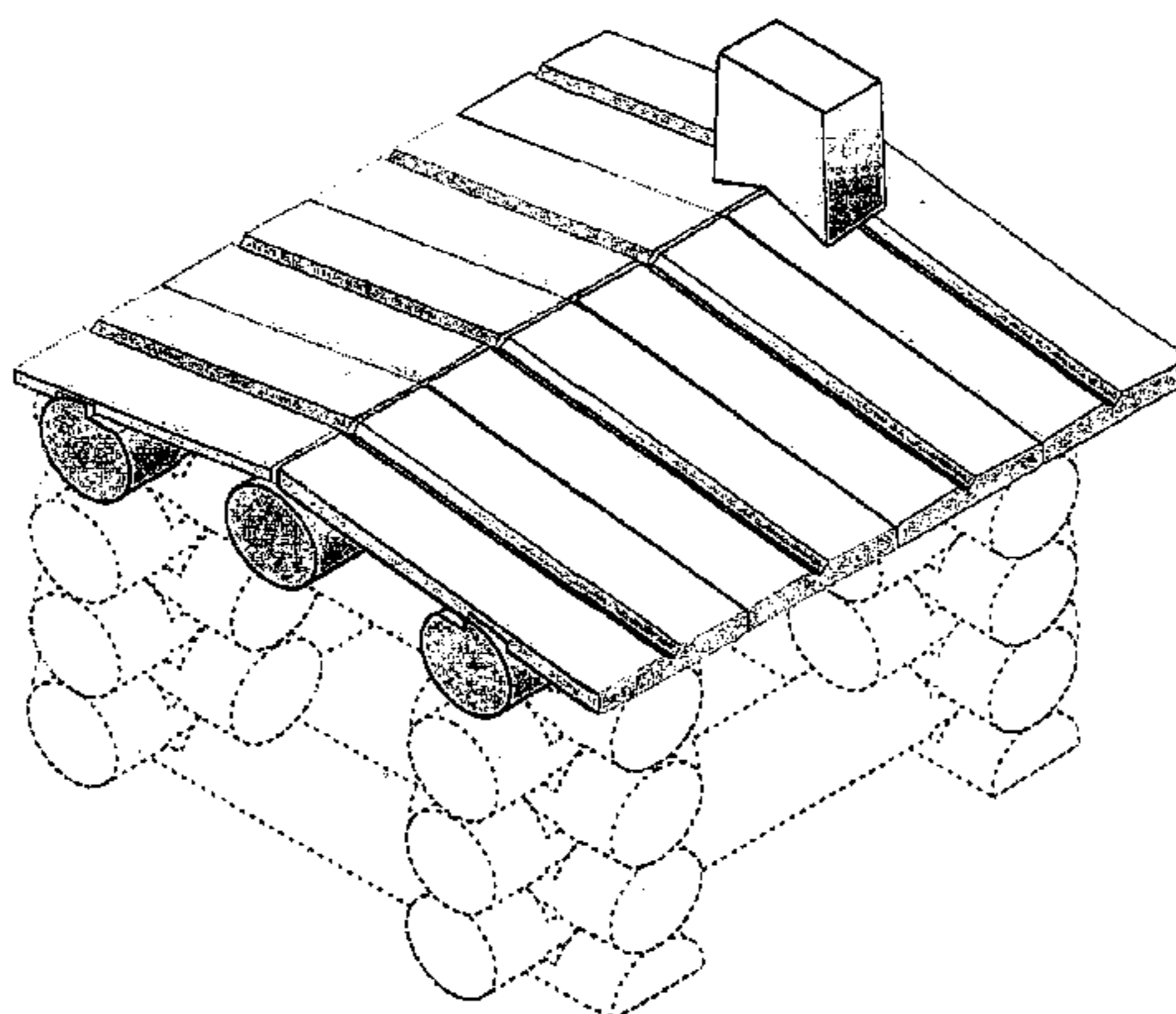
FIG. 21 is an end view of the special roof slat.

Elements of the design are shown separately for ease of illustration only.

The toy model presented on this patent application and the new roofing system once it is fully assembled, it becomes a rigid and sturdy structure capable of standing by itself, and it's components provide great versatility in regards to the different sizes and functions that the construction may have.

The novelty and main feature of this system to assemble the cabin's roof is the way to put and hold in place the Special Roof Slats (c), and the form these slats hold together and lock in place with the upper slot on the Lateral Support Logs (a), keeping all pieces firmly in place and giving a new ornamental appearance to the buildings constructed with it.

1 Claim, 21 Drawing Sheets



US D524,879 S

Page 2

U.S. PATENT DOCUMENTS			
1,425,166	A *	8/1922	Bergmann 446/106
1,510,326	A *	9/1924	Locke 52/92.1
4,372,076	A *	2/1983	Beck 446/106
4,429,500	A *	2/1984	Farmon 52/233
4,521,203	A *	6/1985	Rothenberg, Jr. 446/106
5,145,440	A *	9/1992	Boris et al. 446/106
5,174,078	A *	12/1992	West 446/110
5,354,223	A *	10/1994	Wawzonek 446/106
6,059,630	A *	5/2000	Paxton et al. 446/476
6,146,232	A *	11/2000	Robbins 446/106

* cited by examiner

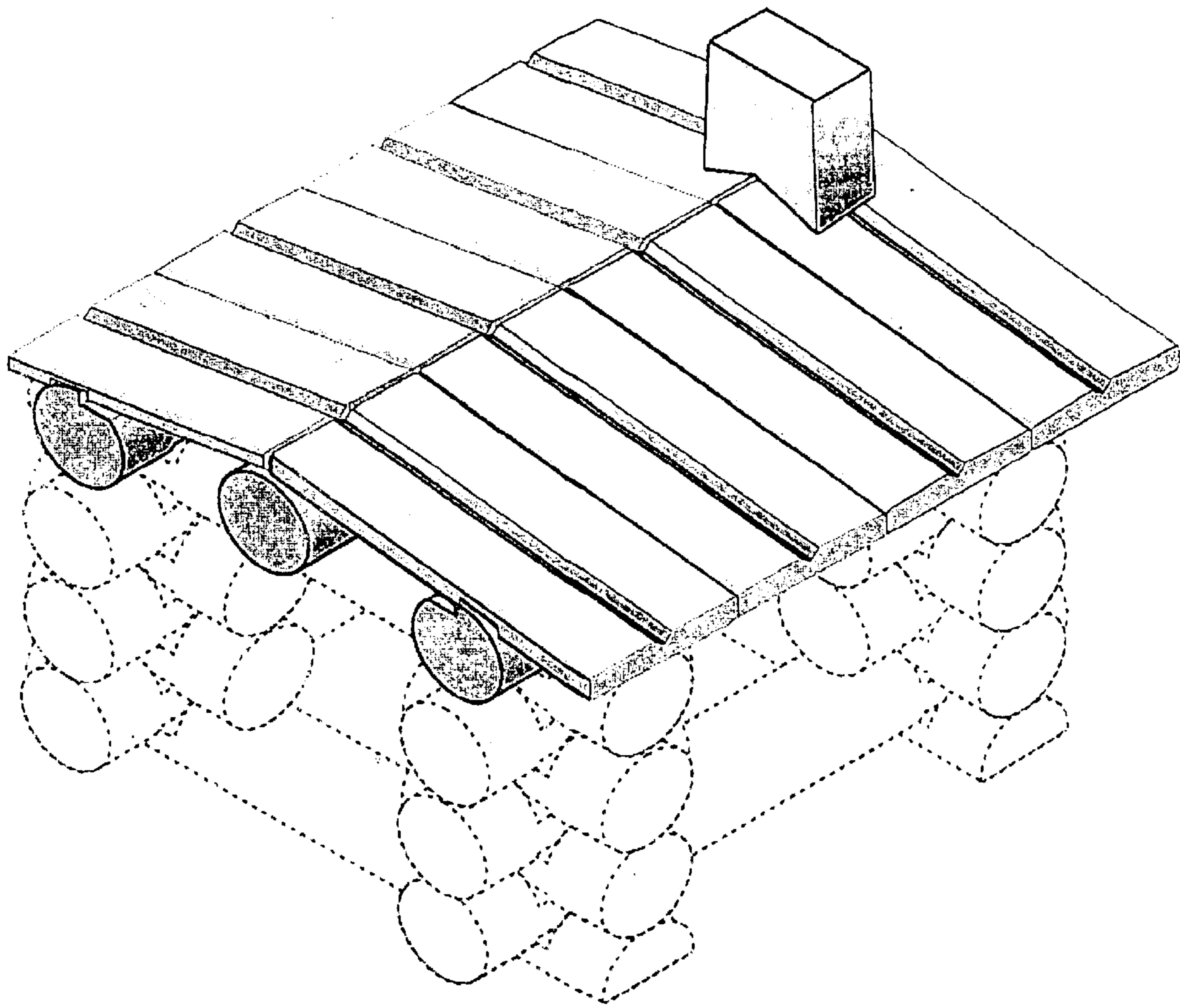


FIG. 1

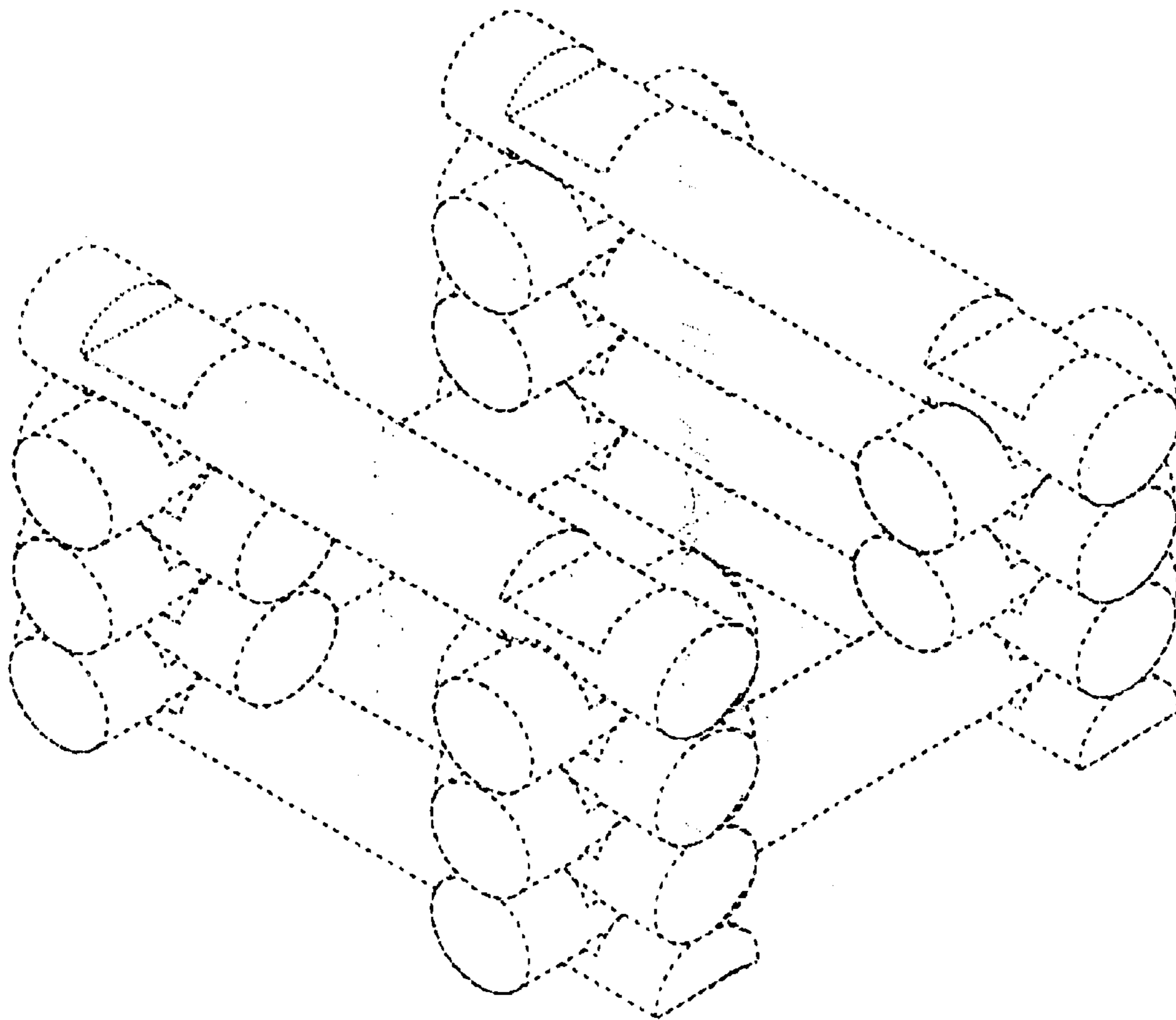


FIG.2

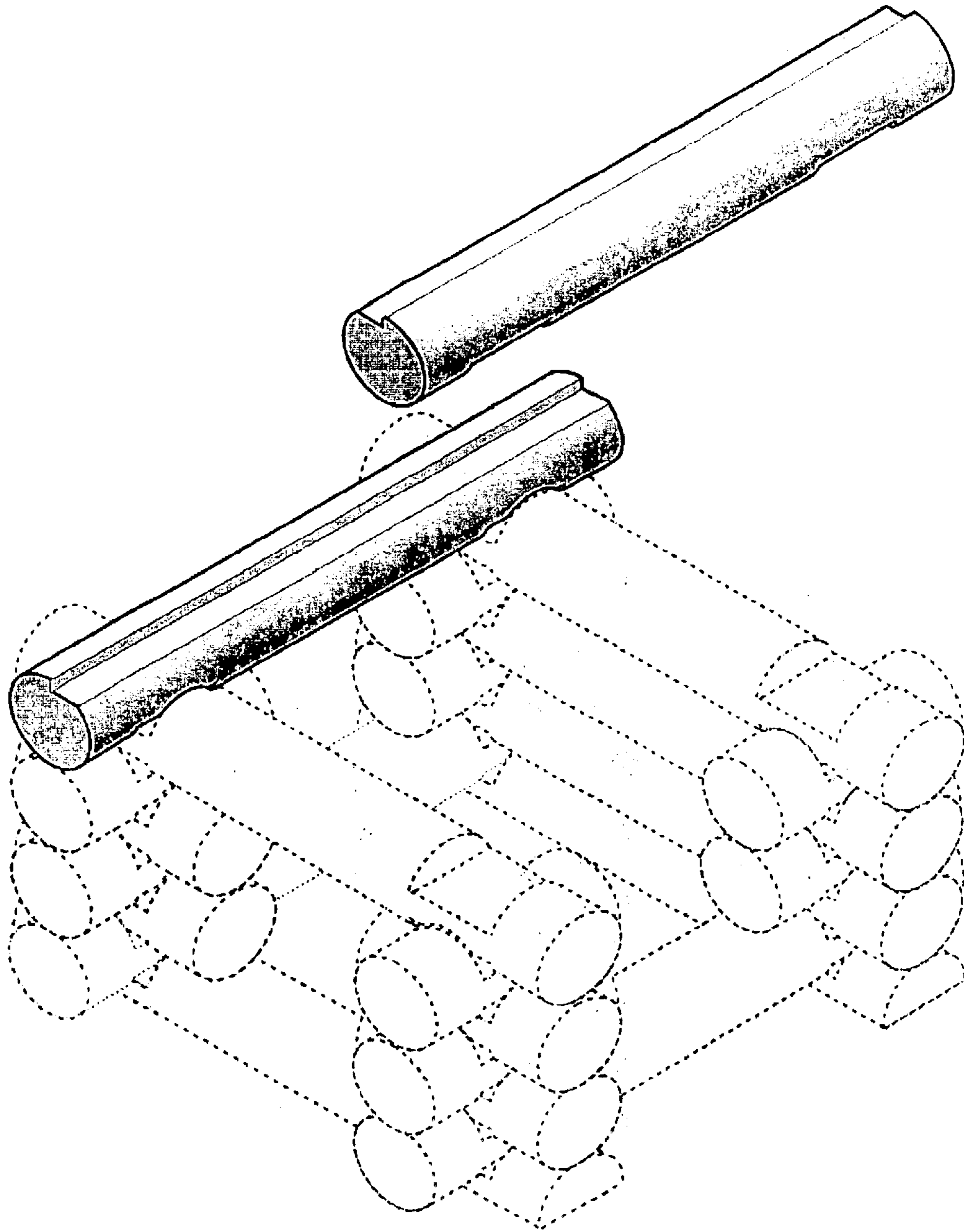


FIG.3

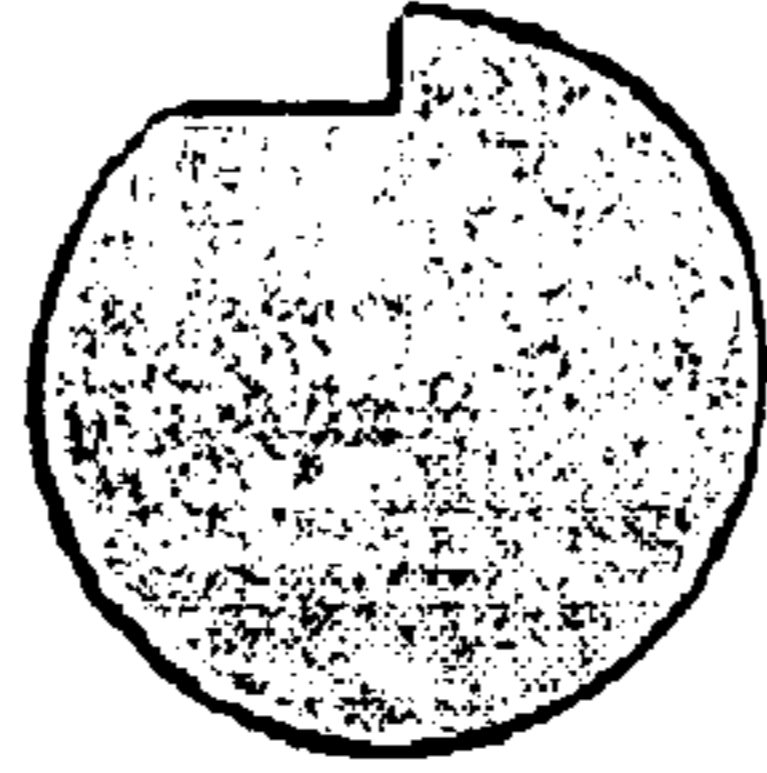


FIG.4

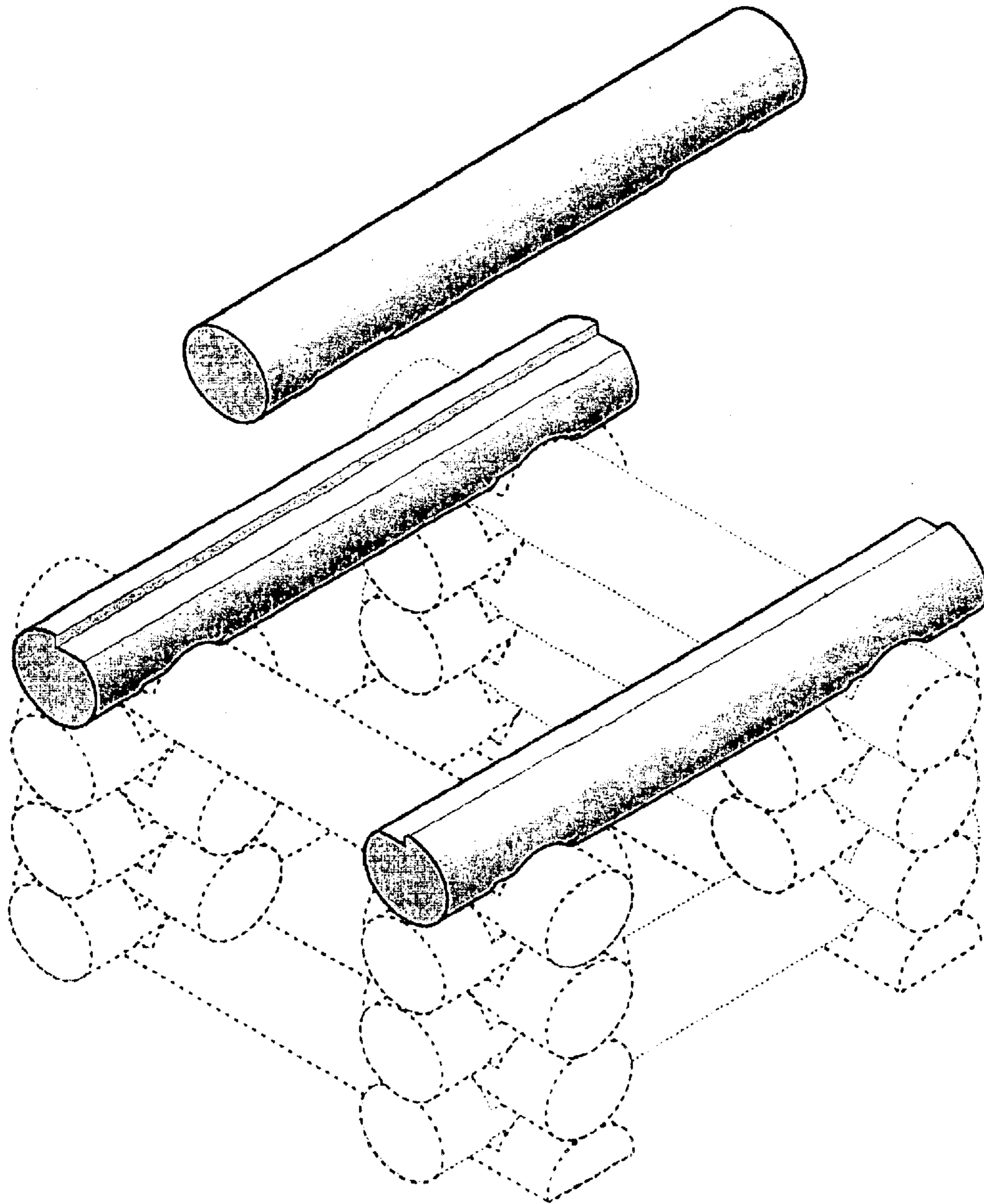


FIG.5

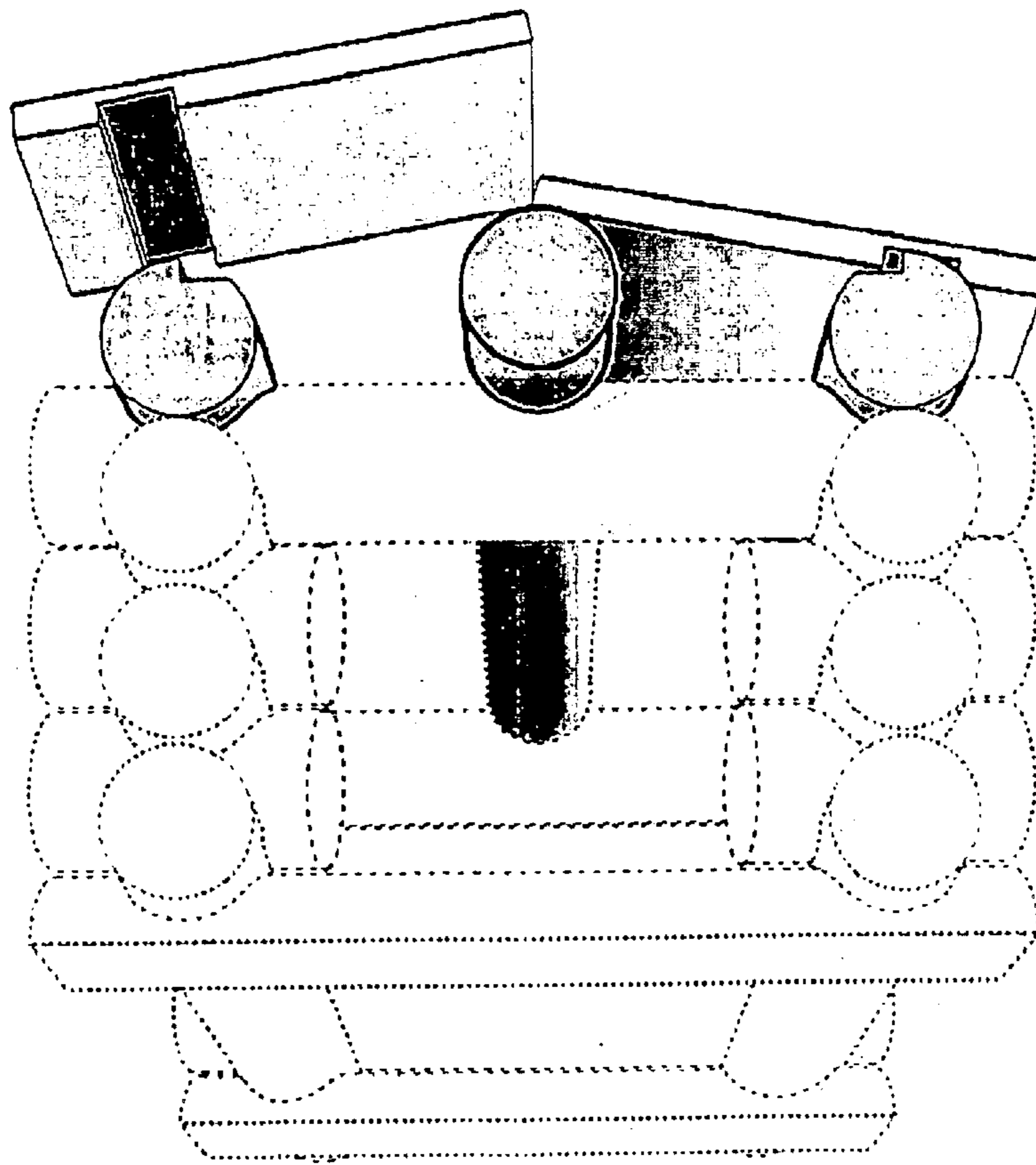


FIG. 6

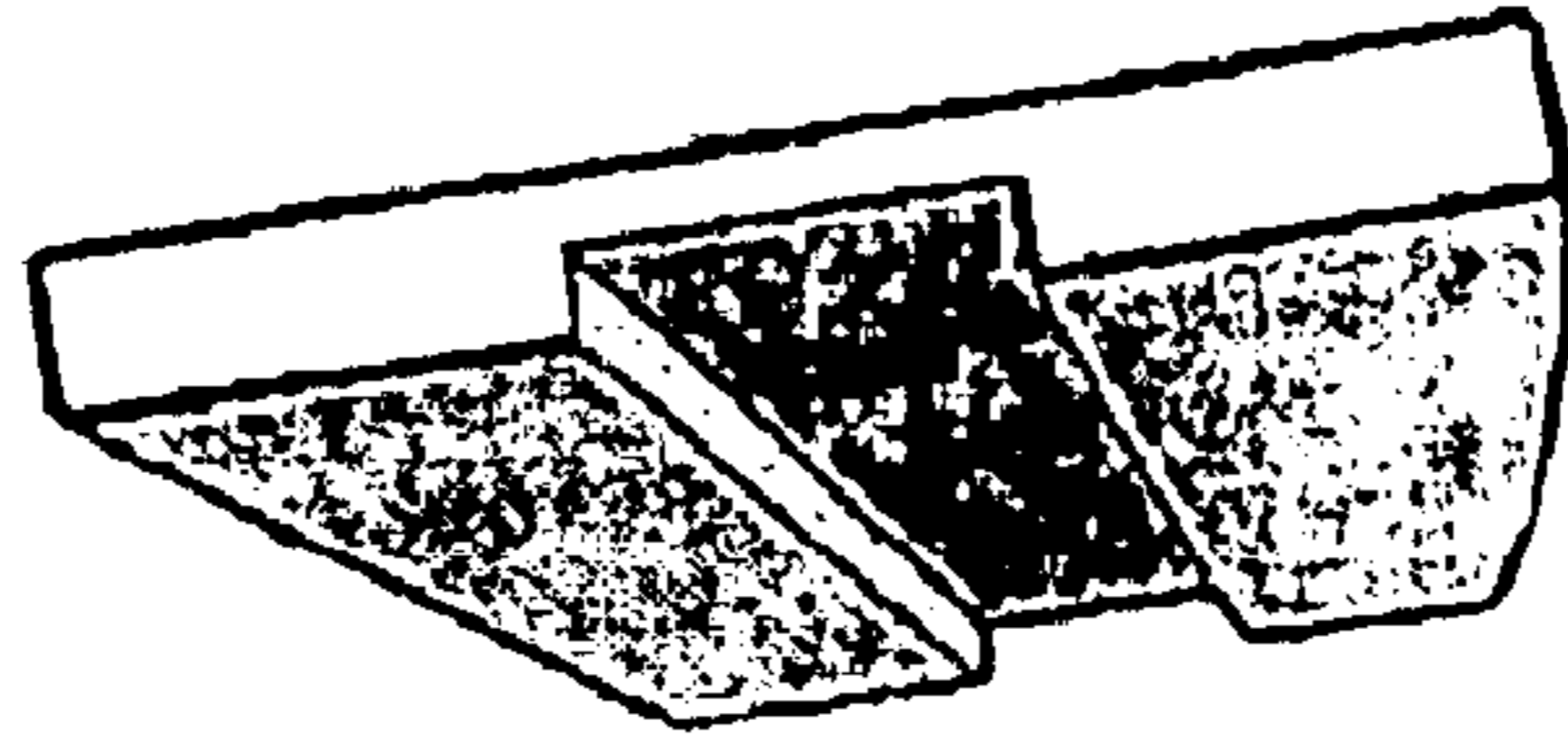


FIG.7

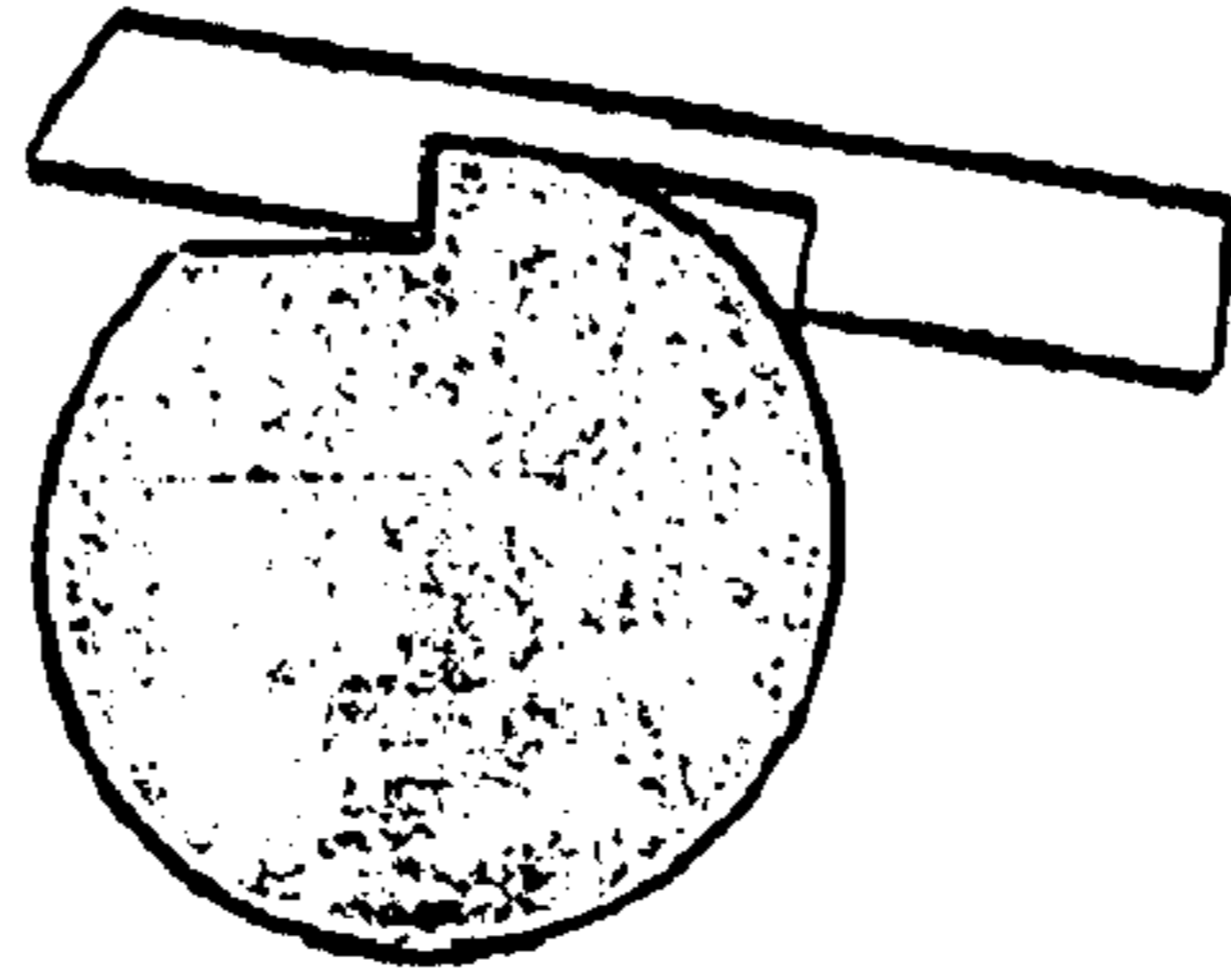


FIG.8

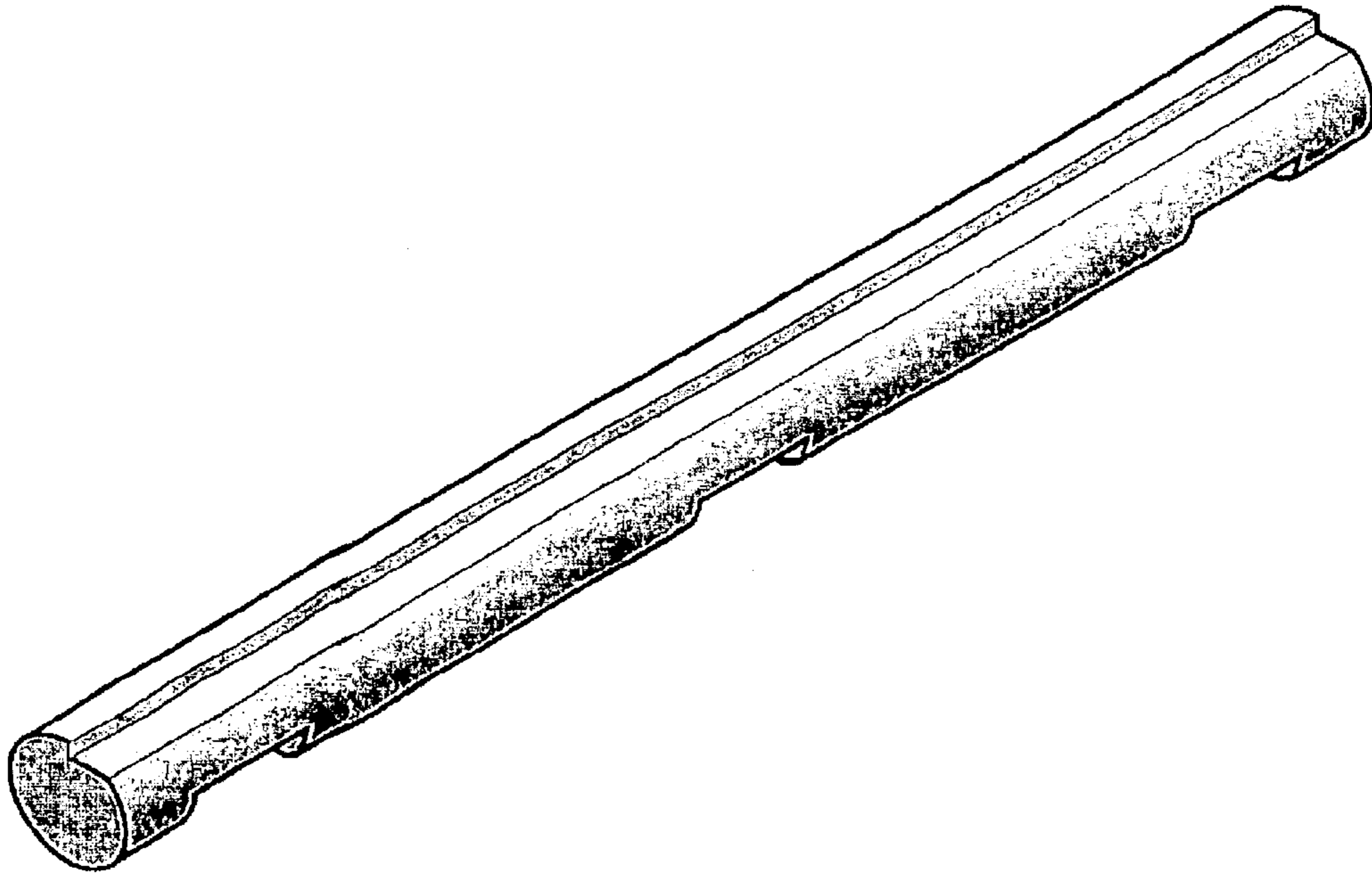


FIG.9

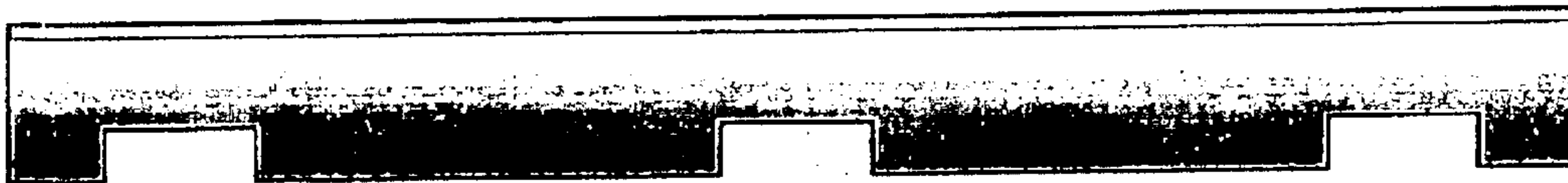


FIG.10

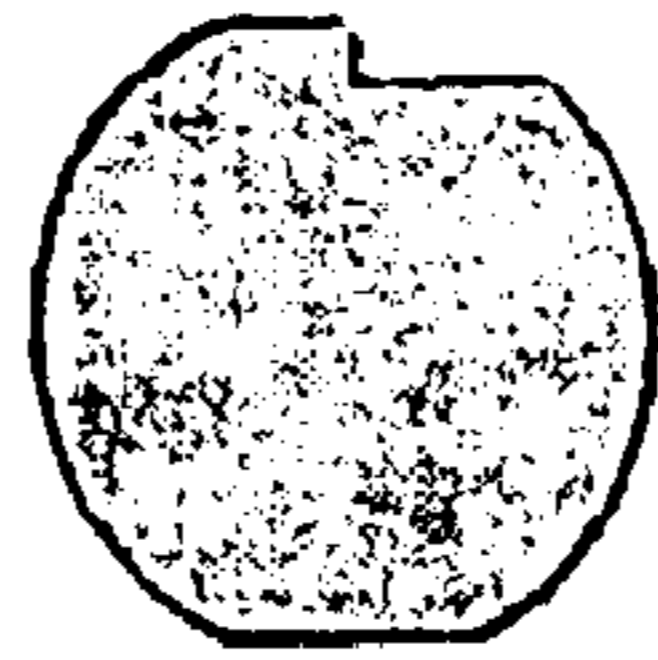


FIG. 11

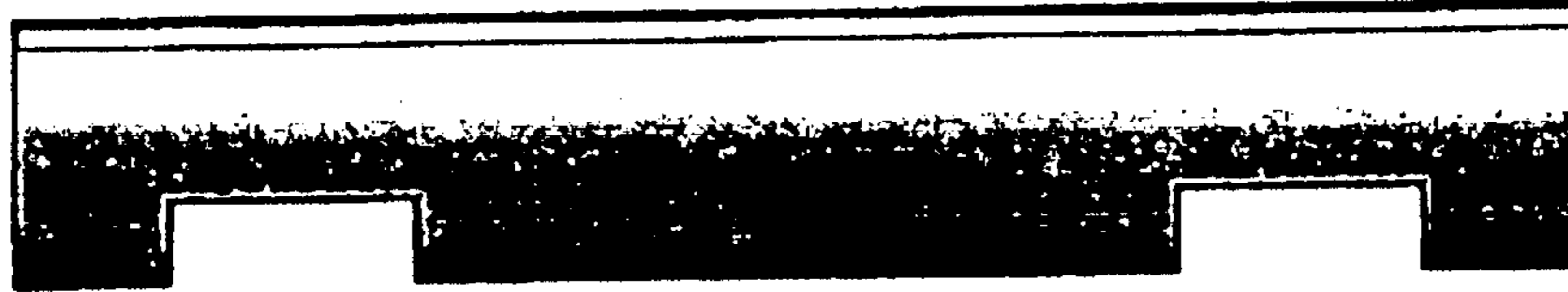


FIG.12

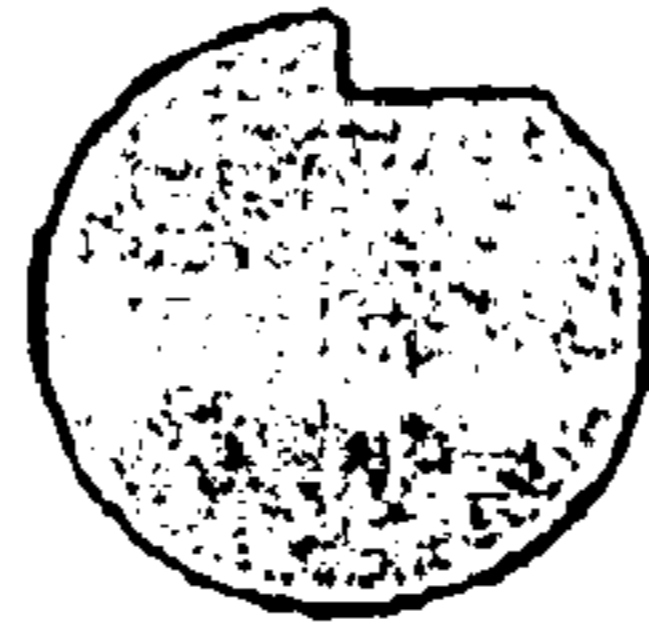


FIG. 13

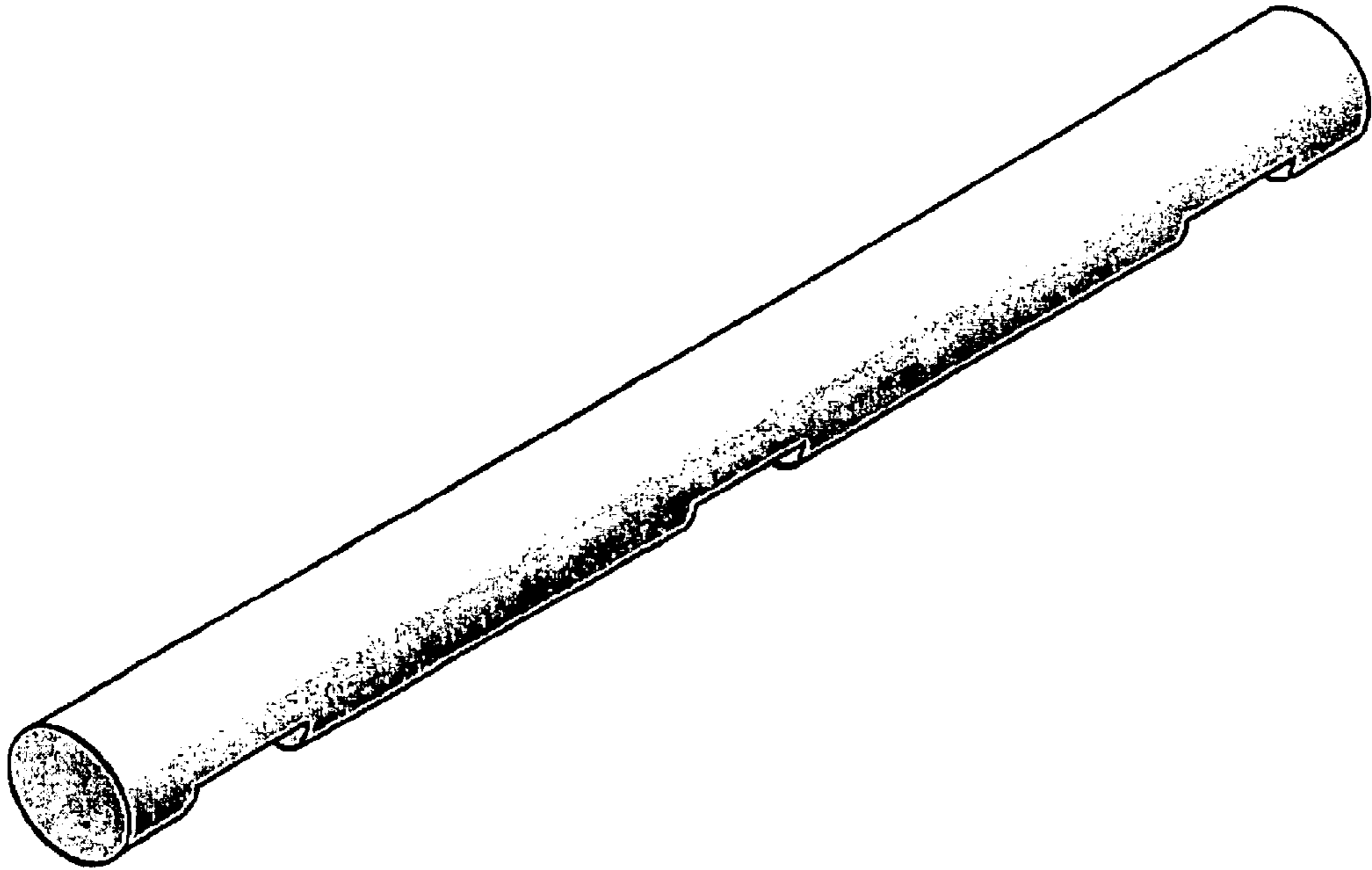


FIG.14



FIG.15

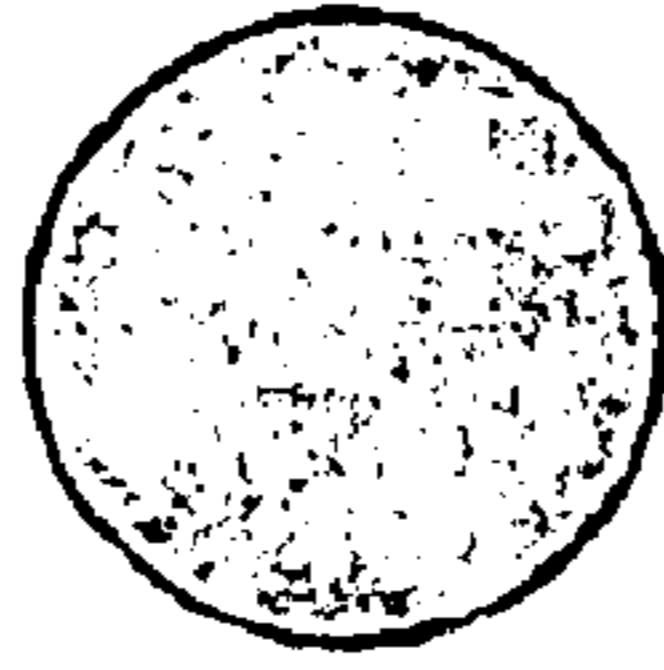


FIG. 16

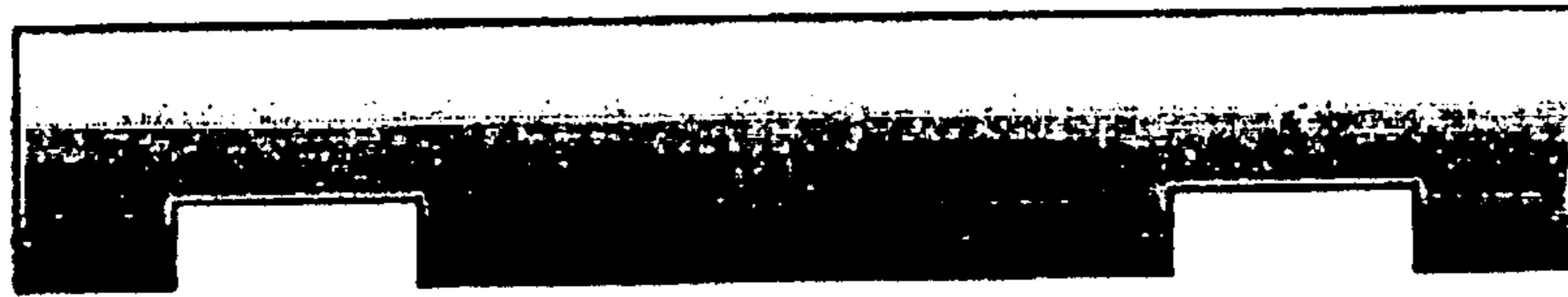


FIG.17

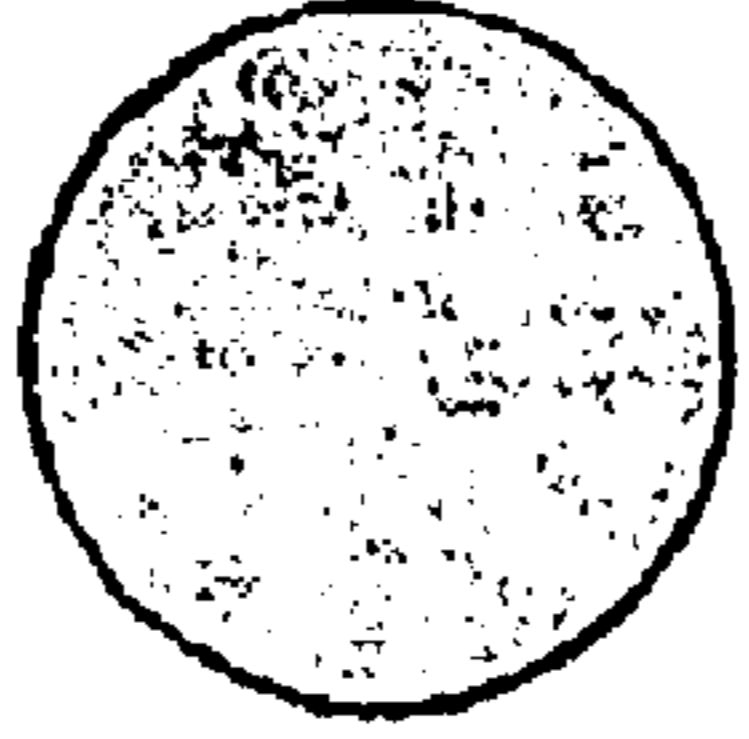


FIG. 18

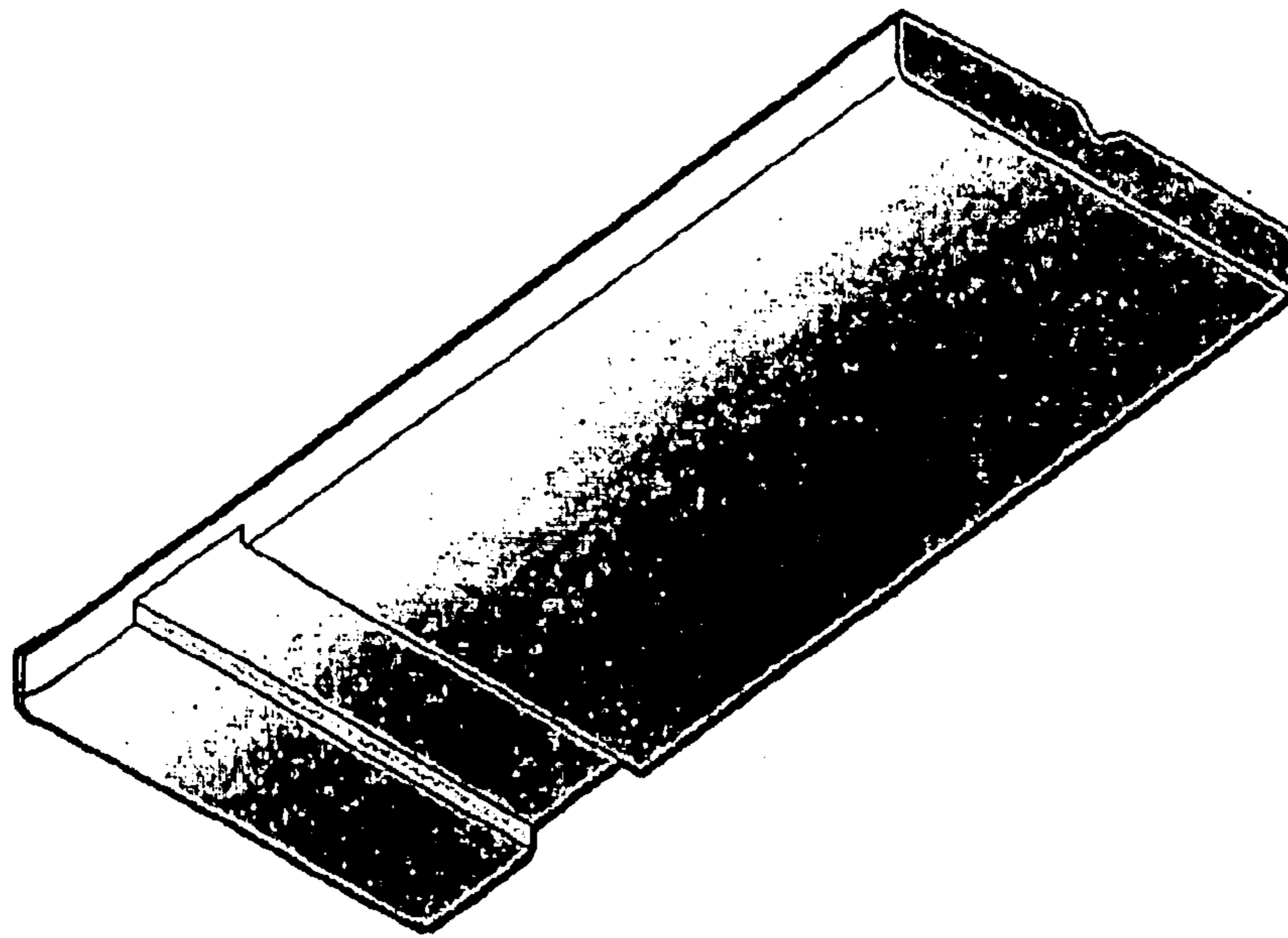


FIG.19

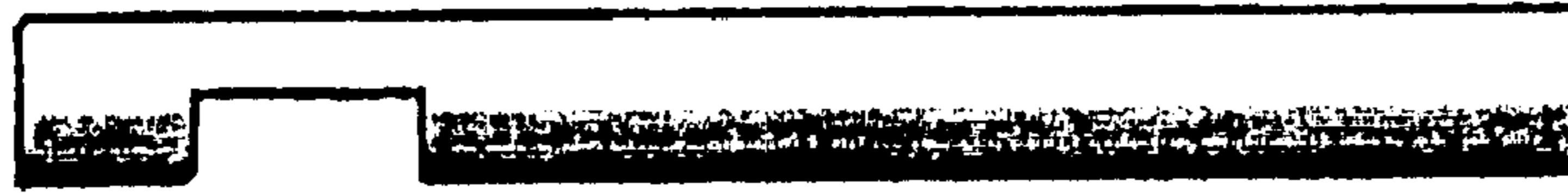


FIG.20



FIG.21