

US00D524876S

(12) **United States Design Patent**  
**Augustin**

(10) **Patent No.:** **US D524,876 S**

(45) **Date of Patent:** **\*\* Jul. 11, 2006**

(54) **SURFACE CONFIGURATION OF A VEHICLE, TOY AND/OR OTHER REPLICAS**

D513,716 S \* 1/2006 Acampora ..... D12/91

**OTHER PUBLICATIONS**

(75) Inventor: **Stephan Augustin**, Munich (DE)

Sensational Beginnings cat. dated 2001, p. 7.\*

(73) Assignee: **Bayerische Motoren Werke Aktiengesellschaft**, Munich (DE)

\* cited by examiner

(\*\*) Term: **14 Years**

*Primary Examiner*—Raphael Barkai

*Assistant Examiner*—Randall H. Gholson

(21) Appl. No.: **29/210,901**

(74) *Attorney, Agent, or Firm*—Crowell & Moring LLP

(22) Filed: **Aug. 9, 2004**

(57) **CLAIM**

(30) **Foreign Application Priority Data**

The ornamental design for a surface configuration of a vehicle, toy and/or other replicas, as shown and described.

Feb. 10, 2004 (DE) ..... 40400937

**DESCRIPTION**

(51) **LOC (8) Cl.** ..... **21-01**

(52) **U.S. Cl.** ..... **D21/433**

(58) **Field of Classification Search** ..... D21/433,  
D21/419-435, 533, 548-551, 561, 562; D12/16,  
D12/87, 88; 446/424, 425, 428, 447, 456,  
446/465, 470, 471; 280/87.01, 87.021, 47.11,  
280/1.13, 828

FIG. 1 is a right, front perspective view of a surface configuration of a vehicle, toy and/or other replicas according to my novel design, the left, front perspective view being mirror symmetrical;

FIG. 2 is a left, rear perspective view of the surface configuration of a vehicle, toy and/or other replicas according to my novel design, the right, rear perspective view being mirror symmetrical;

See application file for complete search history.

FIG. 3 is a right side view of the surface configuration of a vehicle, toy and/or other replicas according to my novel design, the left side view being mirror symmetrical;

(56) **References Cited**

**U.S. PATENT DOCUMENTS**

D374,256 S	*	10/1996	Golling	.....	D21/433
D402,332 S	*	12/1998	Fichter	.....	D21/433
D404,087 S	*	1/1999	Larson	.....	D21/433
D409,262 S	*	5/1999	Stephenson	.....	D21/548
D423,604 S	*	4/2000	Yeh	.....	D21/433
D432,184 S	*	10/2000	Hulst	.....	D21/433
D455,799 S	*	4/2002	Yamazaki	.....	D21/551
D458,314 S	*	6/2002	Allemeier	.....	D21/433
D472,501 S	*	4/2003	Song	.....	D12/86
D483,812 S	*	12/2003	Murkett	.....	D21/433
D496,694 S	*	9/2004	Allemeier	.....	D21/433

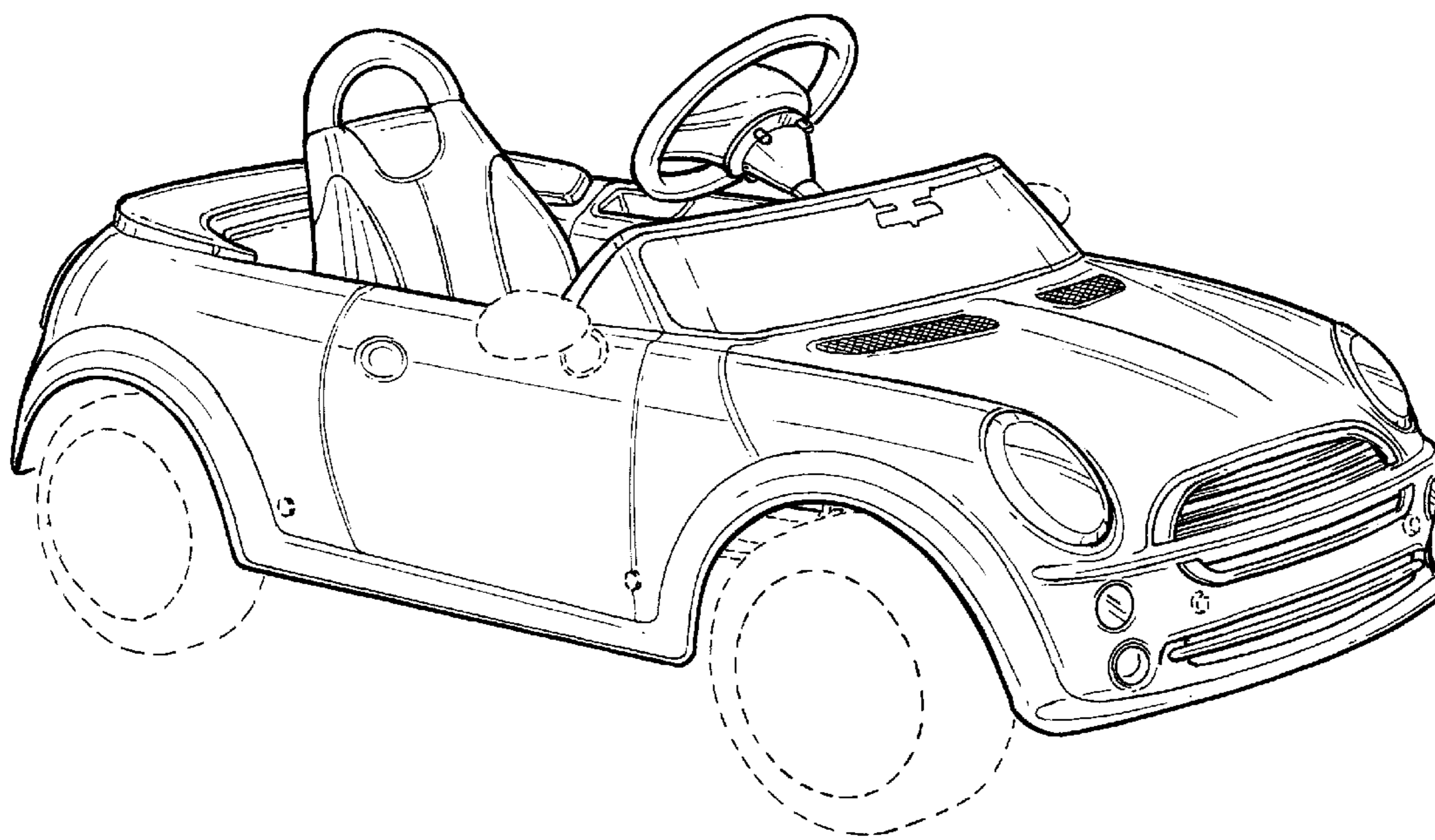
FIG. 4 is a front view of the surface configuration of a vehicle, toy and/or other replicas according to my novel design;

FIG. 5 is a rear view of the surface configuration of a vehicle, toy and/or other replicas according to my novel design; and,

FIG. 6 is a top view of the surface configuration of a vehicle, toy and/or other replicas according to my novel design.

The broken lines are for illustrative purposes only and form no part of the claimed design.

**1 Claim, 5 Drawing Sheets**



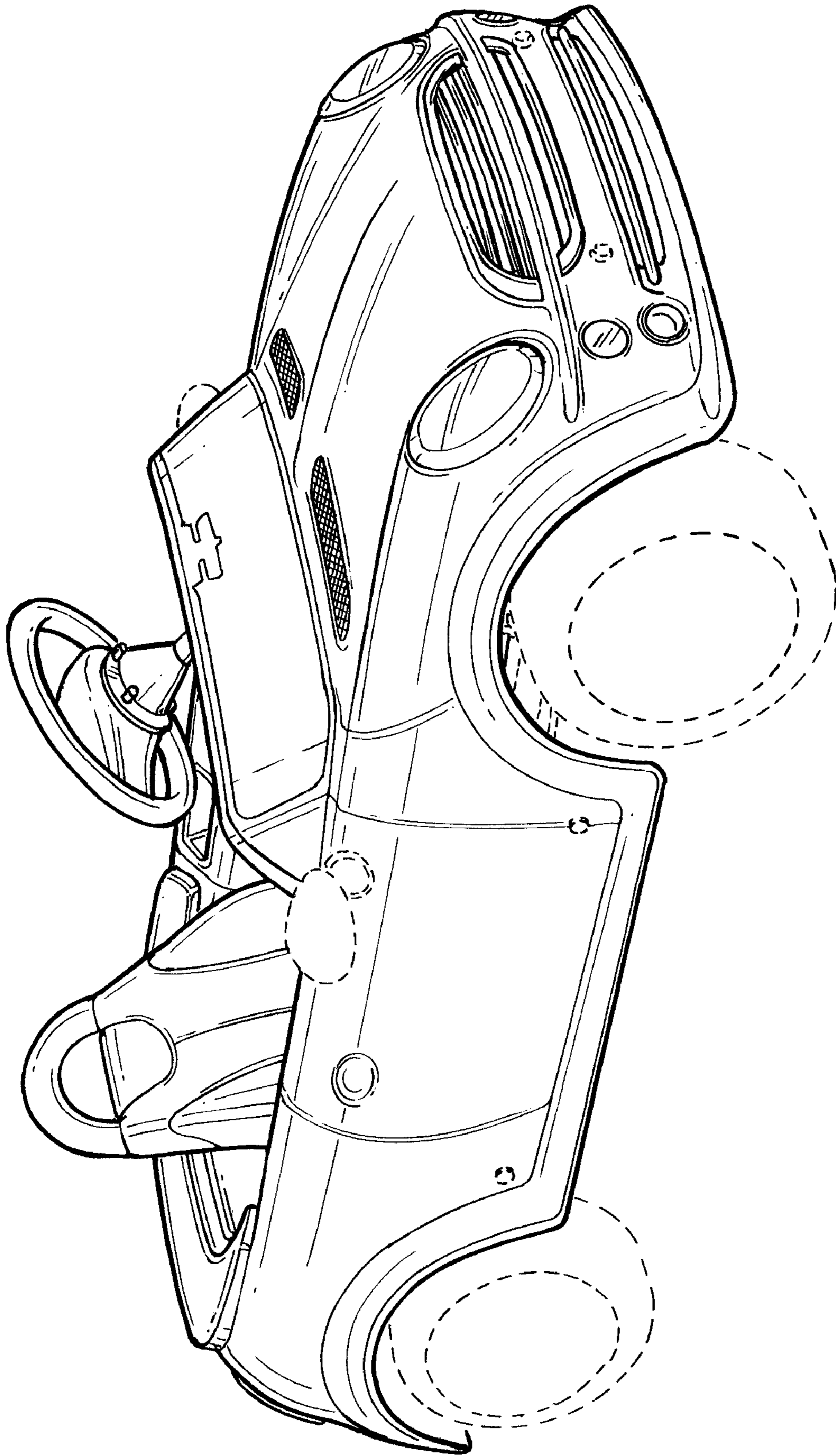


FIG. 1

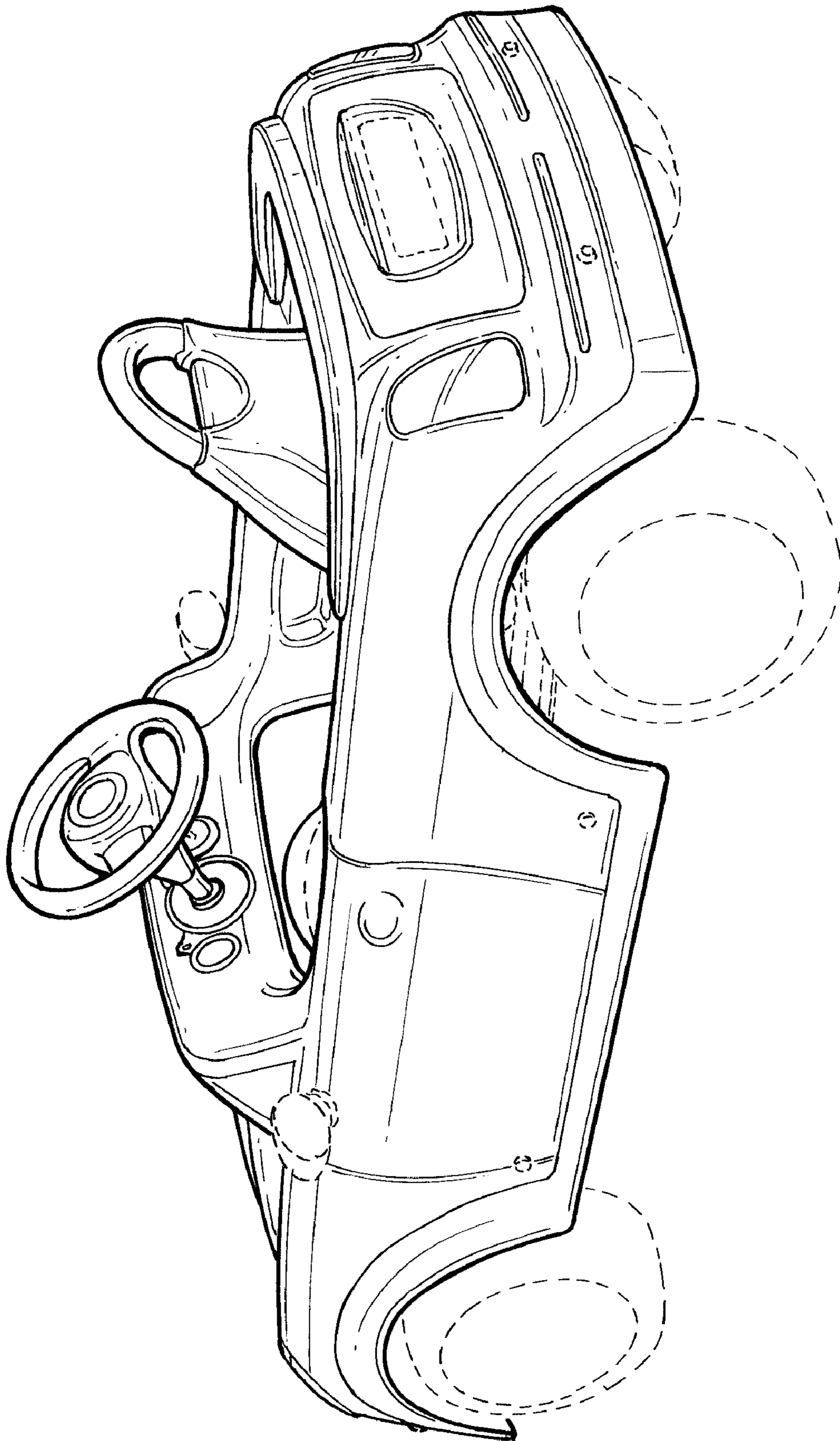


FIG. 2

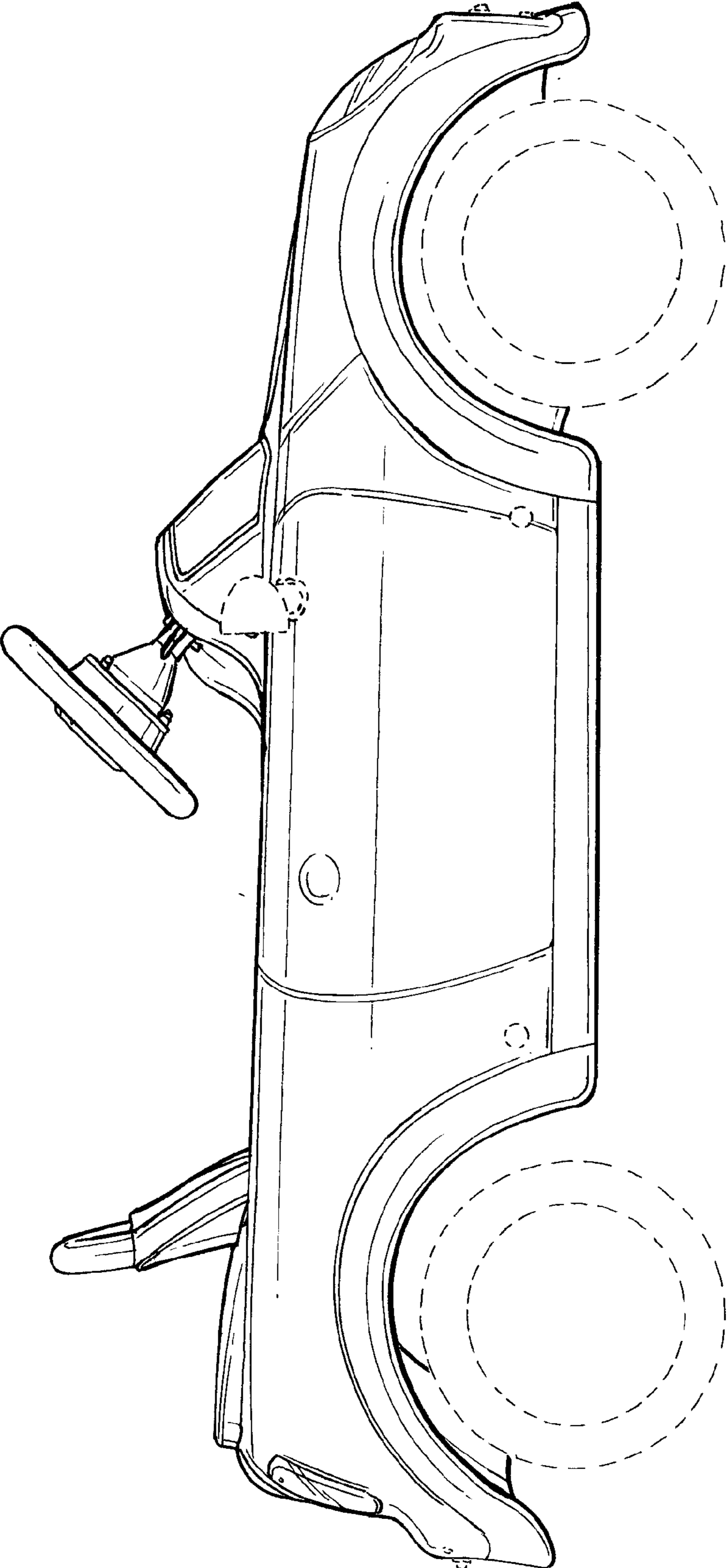


FIG. 3

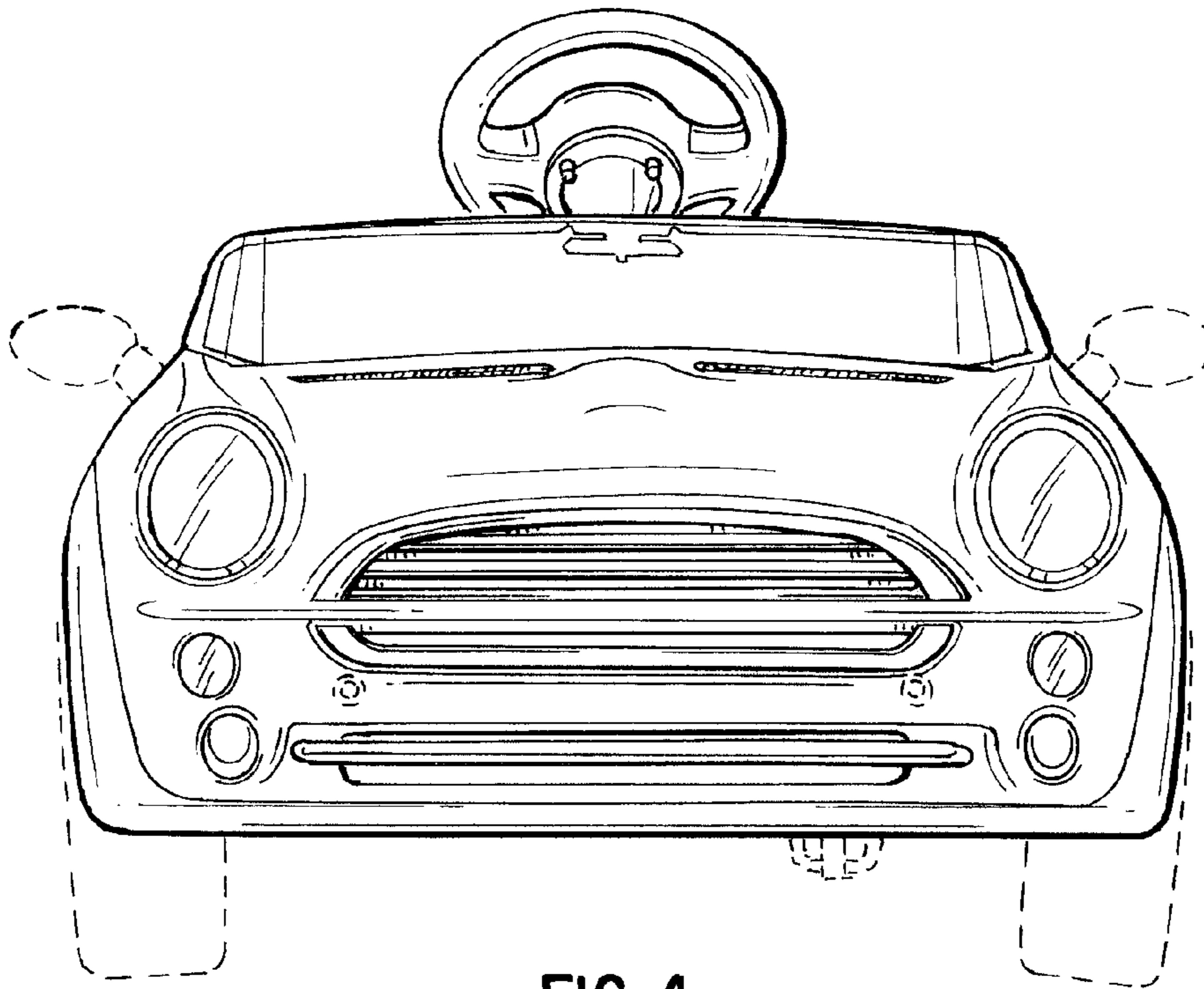


FIG. 4

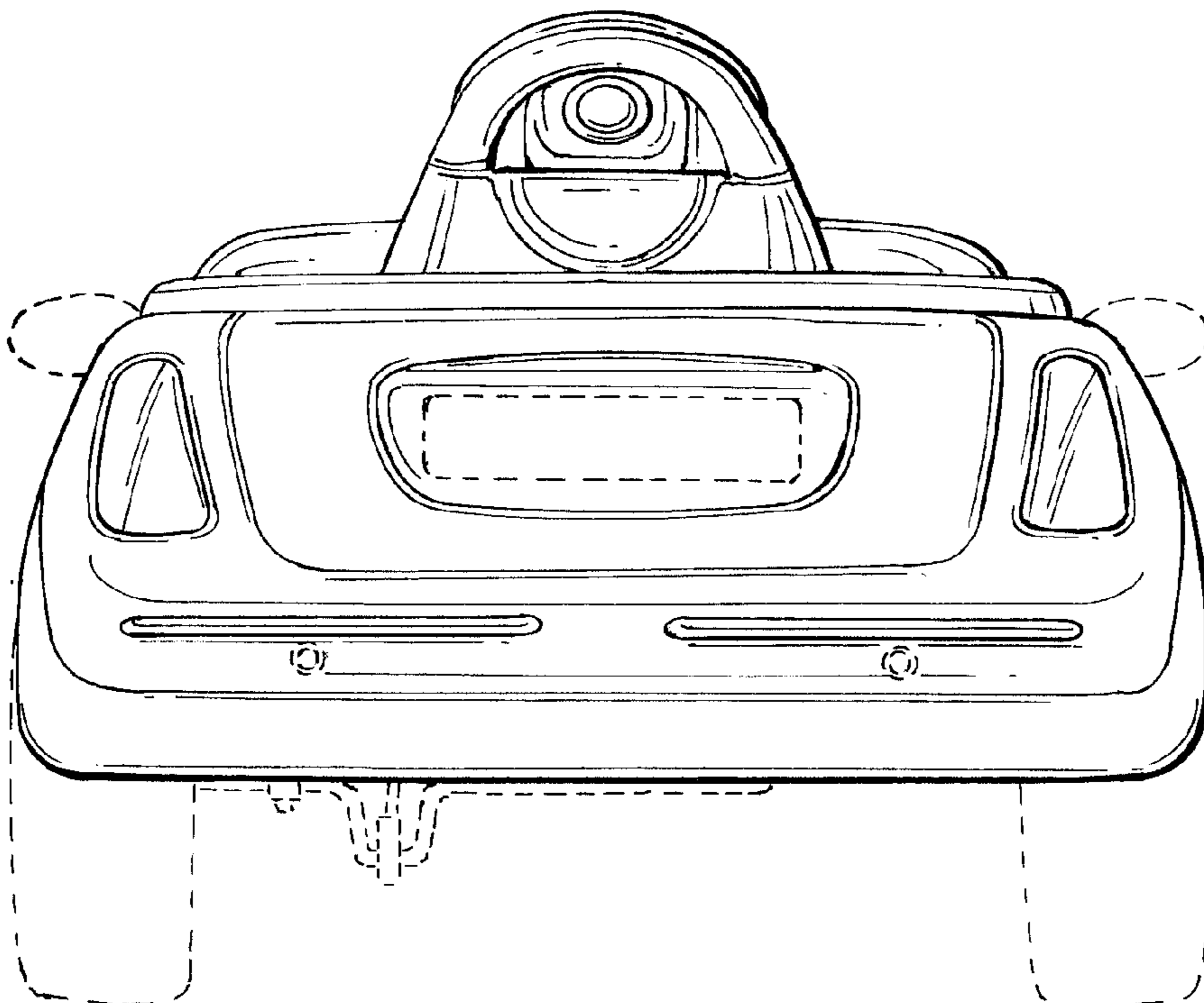


FIG. 5

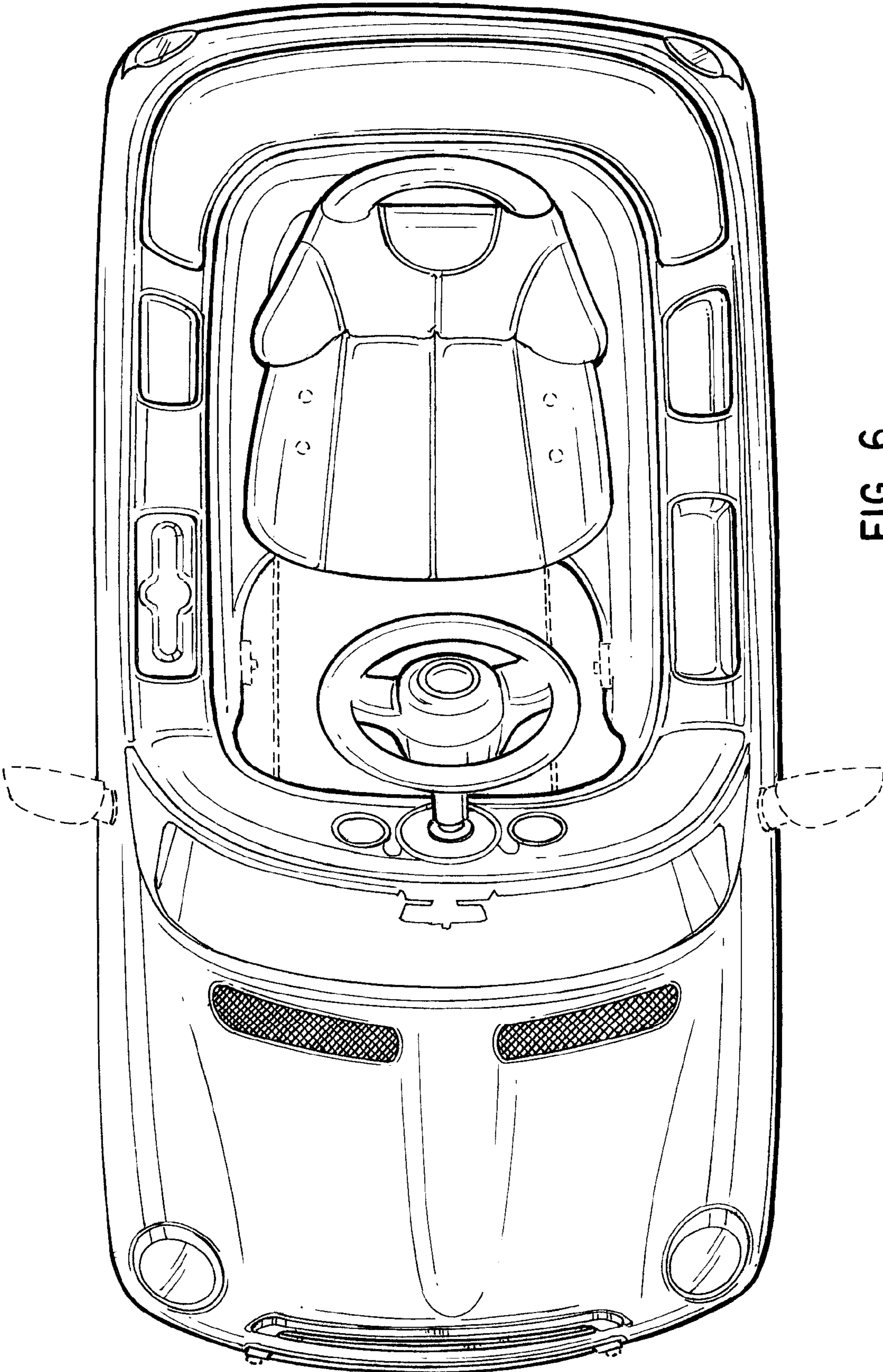


FIG. 6