



US00D524875S

(12) **United States Design Patent**
Lim

(10) **Patent No.:** **US D524,875 S**

(45) **Date of Patent:** **** Jul. 11, 2006**

(54) **FRAME FOR KICKBOARD**

(75) Inventor: **Cheol Wang Lim**, Busan (KR)

(73) Assignee: **Song LIM Toy Co., Ltd.** (KR)

(**) Term: **14 Years**

(21) Appl. No.: **29/213,888**

(22) Filed: **Sep. 24, 2004**

(51) **LOC (8) Cl.** **21-01**

(52) **U.S. Cl.** **D21/423**

(58) **Field of Classification Search** D12/110–112,
D12/115, 117, 107; 280/761, 87.01, 87.041,
280/87.042, 87.05, 287, 229, 274, 275–278,
280/281.1, 282, 283, 288; 180/180, 181;
D21/419–424, 435, 533, 760, 765, 771
See application file for complete search history.

(56) **References Cited**

U.S. PATENT DOCUMENTS

D427,111 S	*	6/2000	Chen	D12/111
D437,363 S	*	2/2001	Chen	D21/423
D437,621 S	*	2/2001	Chen	D21/423
D452,885 S	*	1/2002	Chen	D21/423
D459,762 S	*	7/2002	Chen	D21/423
D475,755 S	*	6/2003	Chen	D21/423
D476,042 S	*	6/2003	Hsieh	D21/423
D477,550 S	*	7/2003	Cheng	D12/112
6,719,310 B1	*	4/2004	Lin	280/87.041
D495,759 S	*	9/2004	Chen	D21/423
D495,760 S	*	9/2004	Chen	D21/423

OTHER PUBLICATIONS

Sears Wish–Book Holiday 2001 p. 179.*

* cited by examiner

Primary Examiner—Raphael Barkai

Assistant Examiner—Randall H. Gholson

(74) *Attorney, Agent, or Firm*—St. Onge Steward Johnston
& Reens LLC

(57) **CLAIM**

I claim the ornamental design for frame for kickboard, as shown and described in the drawings.

DESCRIPTION

FIG. 1 is a perspective view of a frame for kickboard in accordance with the present invention;

FIG. 2 is a front view of the frame according to the present invention;

FIG. 3 is a rear view of the frame according to the present invention;

FIG. 4 is a left side view of the frame according to the present invention;

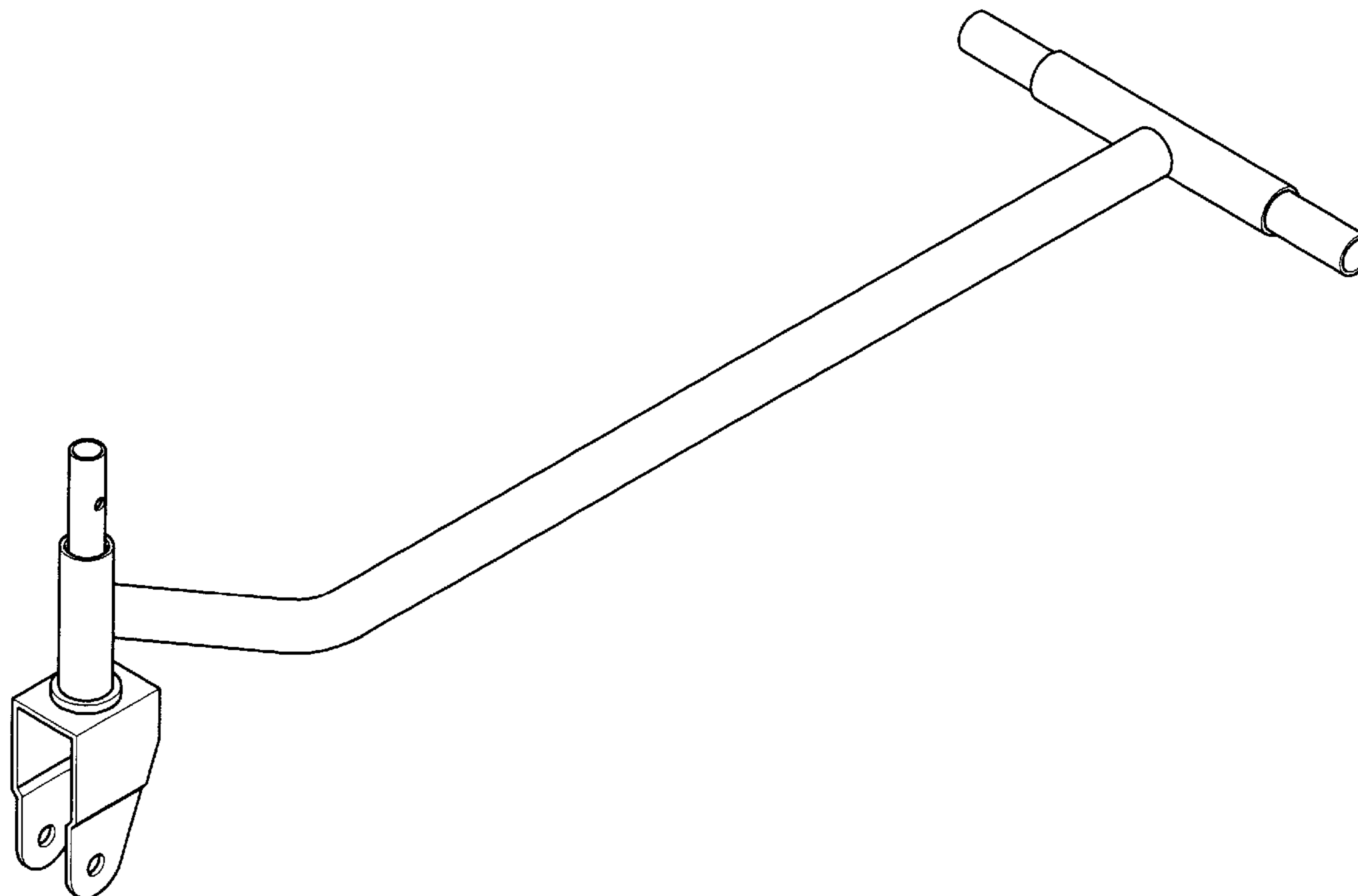
FIG. 5 is a right side view of the frame according to the present invention;

FIG. 6 is a top plan view of the frame according to the present invention;

FIG. 7 is a bottom plan view of the frame according to the present invention; and,

FIG. 8 is a perspective view illustrating the use of the frame for kickboard according to the present invention. The broken lines are for illustrative purposes only and form no part of the claimed design.

1 Claim, 5 Drawing Sheets



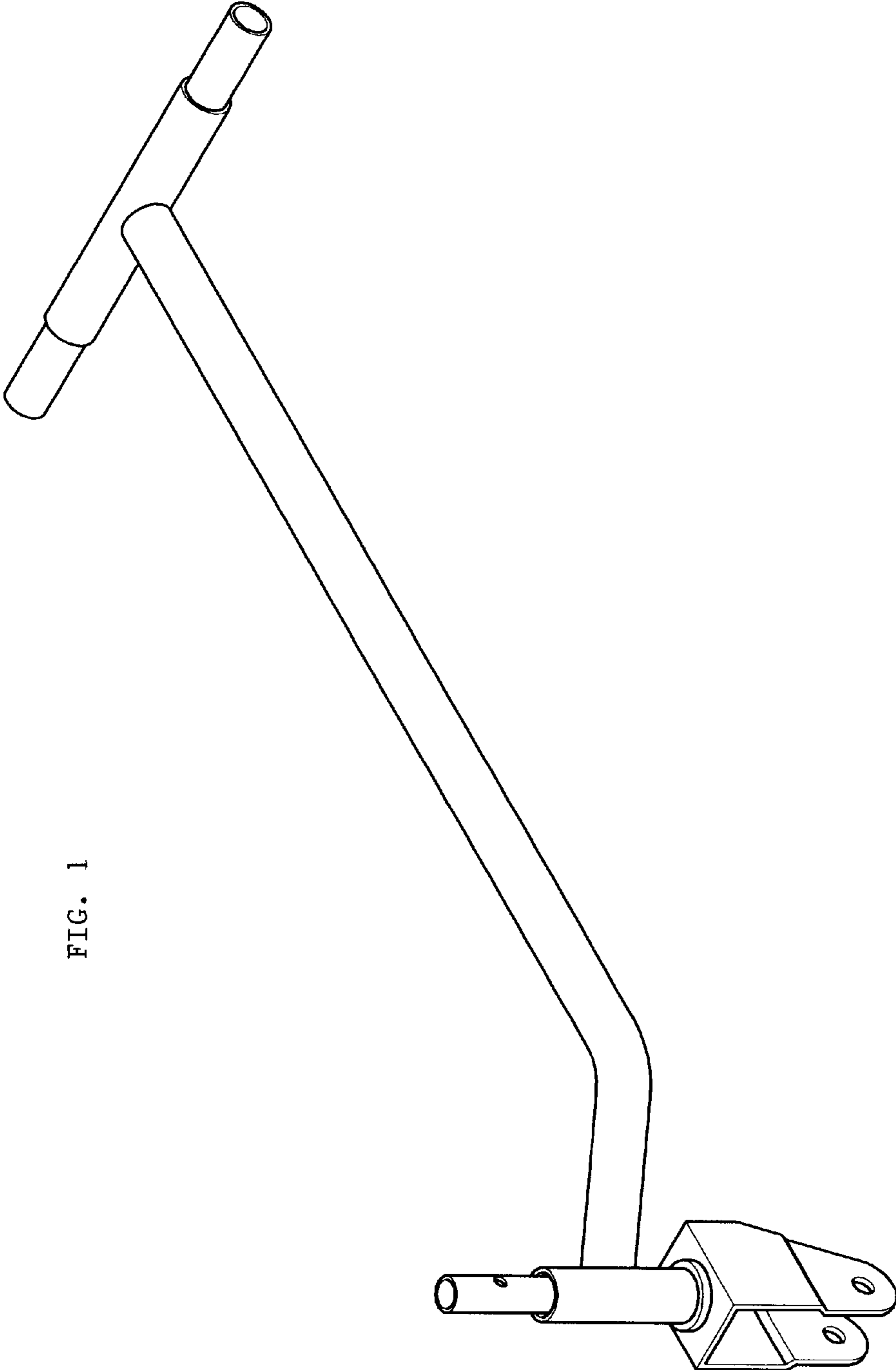


FIG. 1

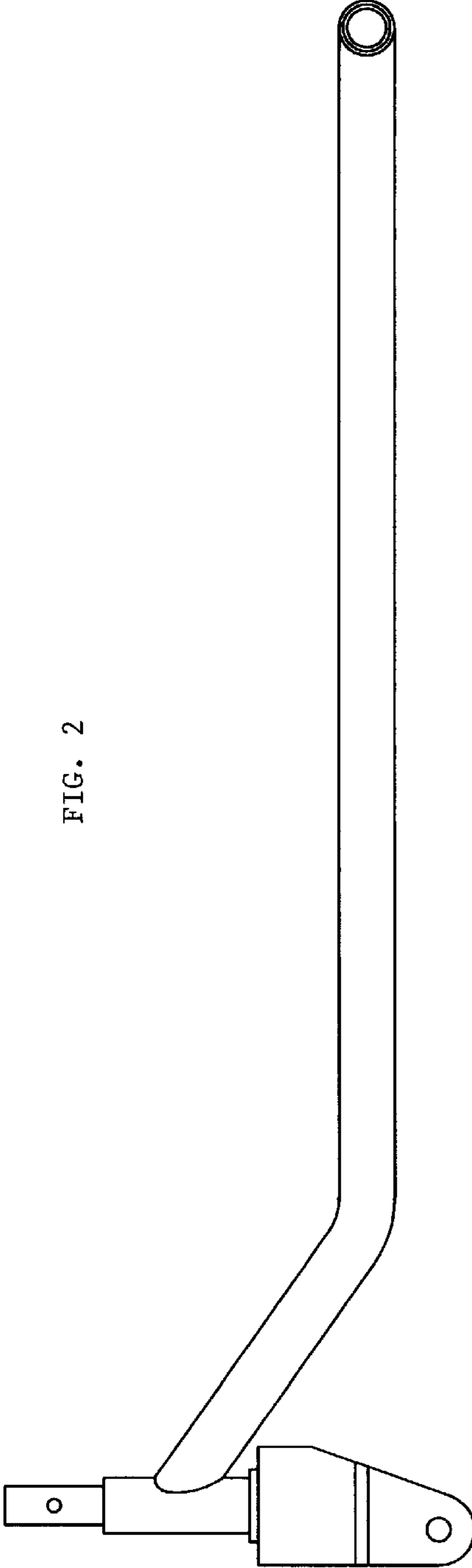


FIG. 2

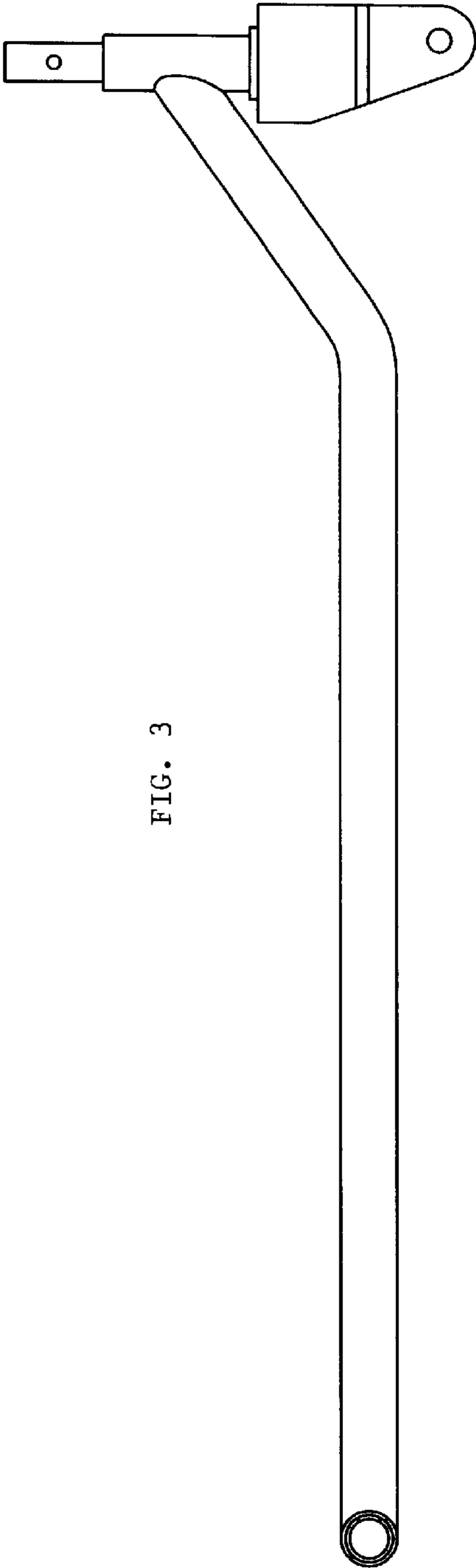


FIG. 3

FIG. 4

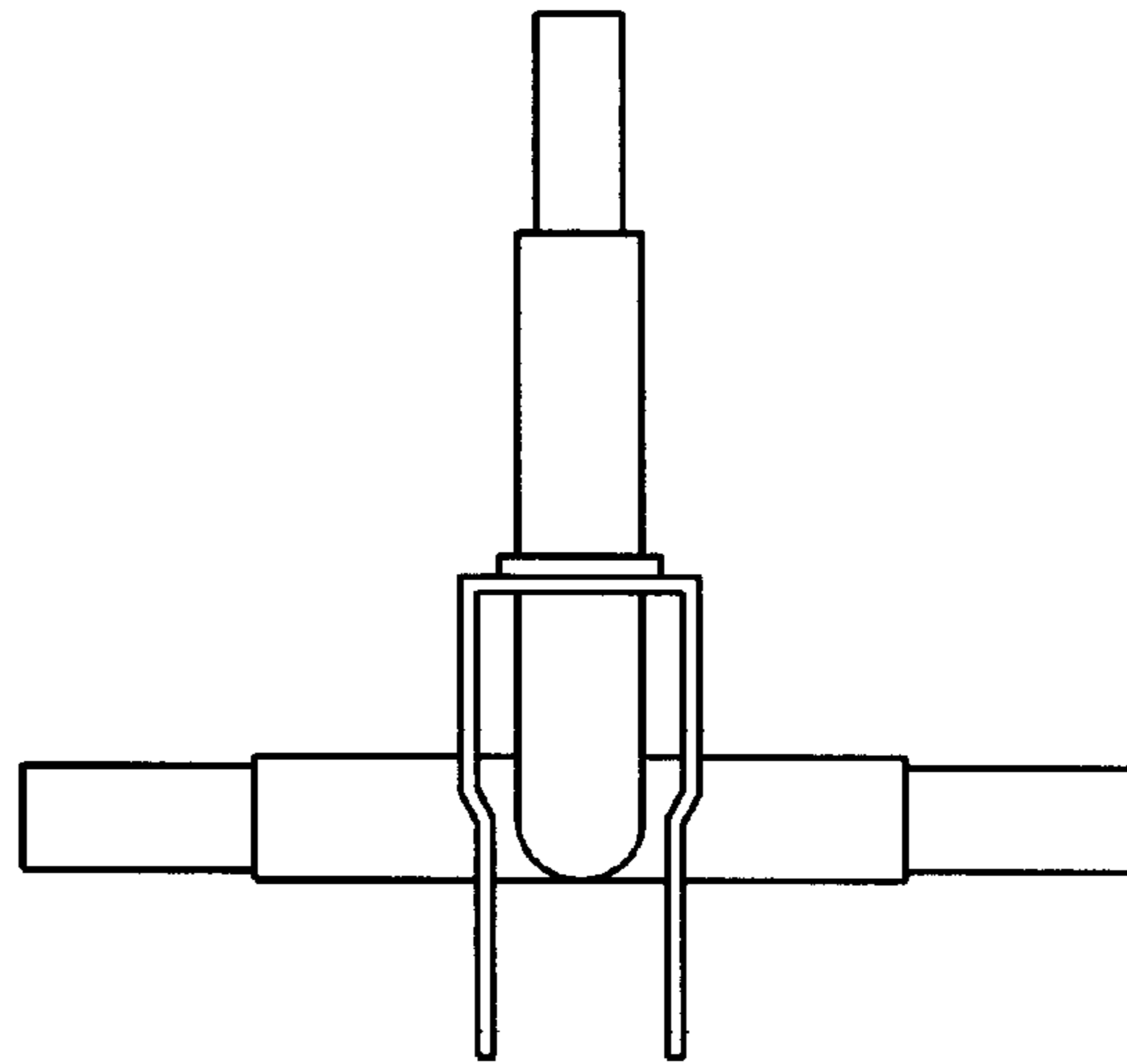


FIG. 5

