



US00D524873S

(12) **United States Design Patent**
Wickens

(10) **Patent No.:** **US D524,873 S**

(45) **Date of Patent:** **** Jul. 11, 2006**

(54) **DIE**
(75) Inventor: **Paul Michael Wickens**, Winkfield Row
(GB)
(73) Assignee: **Tadpole Games Limited**, Berkshire
(GB)
(**) Term: **14 Years**

2,132,757 A * 10/1938 Paulson D21/499
D235,570 S * 6/1975 Barton D21/499
3,924,376 A * 12/1975 Tsurumi 273/146
D273,688 S * 5/1984 Rocco D21/389
D319,803 S * 9/1991 Traner D11/131
5,069,647 A * 12/1991 Zuviria 446/127
5,803,461 A * 9/1998 Pavlovic D21/373
D407,447 S * 3/1999 Tam D21/478
D435,609 S * 12/2000 Sorensen D21/499
D453,196 S * 1/2002 Bouchet D21/373
D466,956 S * 12/2002 Manville et al. D21/499

(21) Appl. No.: **29/218,089**
(22) Filed: **Nov. 29, 2004**

* cited by examiner

(30) **Foreign Application Priority Data**

Jul. 30, 2004 (EM) 000208020

Primary Examiner—Sandra L. Morris

(74) *Attorney, Agent, or Firm*—Hoffman, Wasson & Gitler,
PC

(51) **LOC (8) Cl.** **21-03**
(52) **U.S. Cl.** **D21/373**
(58) **Field of Classification Search** D11/131;
D19/90–91, 96; D21/372–373, 385–389,
D21/478–479, 499; 273/146, 268, 148 R,
273/288–291

(57) **CLAIM**

The ornamental design for a die, as shown and described.

See application file for complete search history.

DESCRIPTION

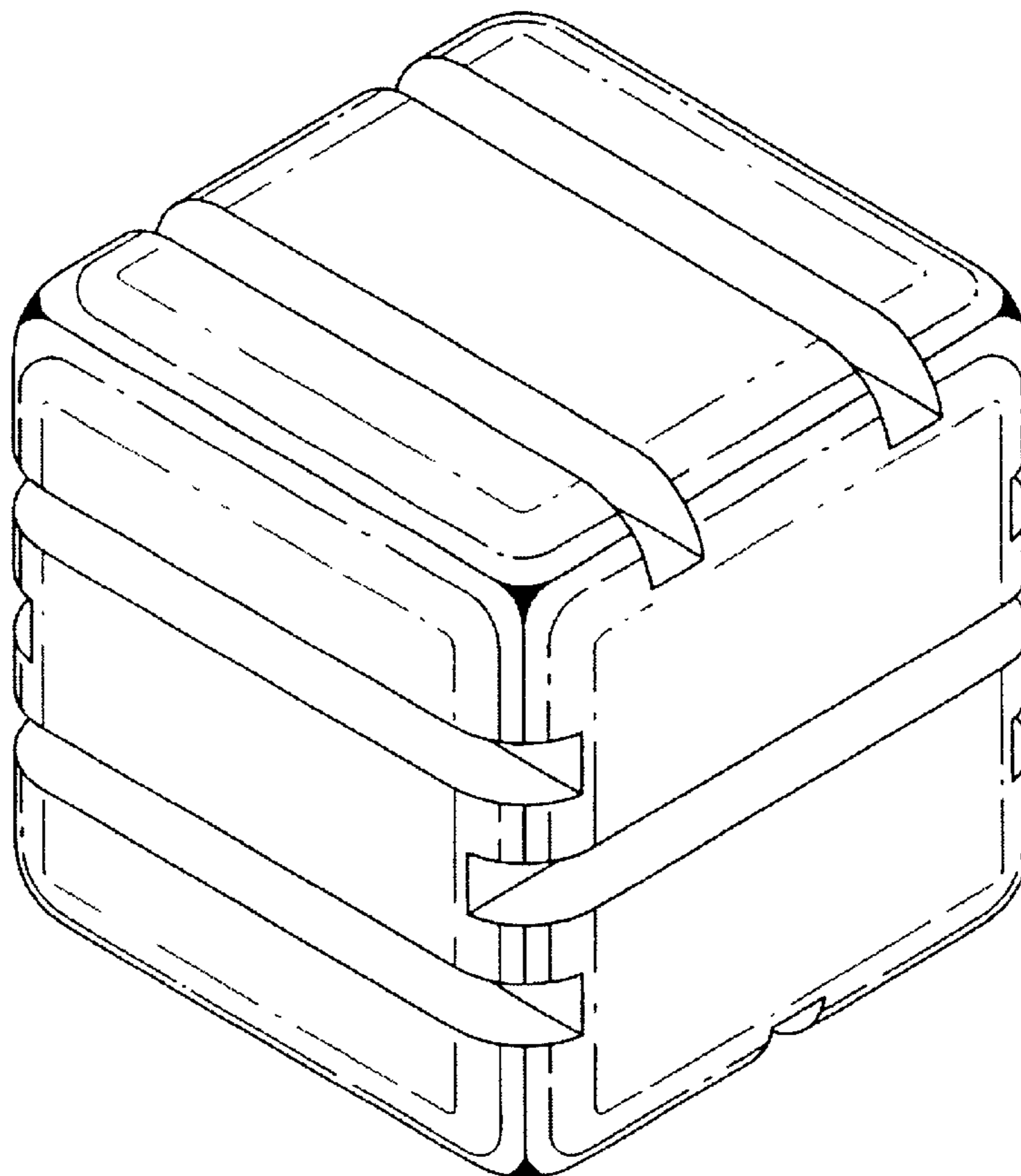
FIG. 1 is a perspective view of applicant's unique die;
FIG. 2 is a top plan view of the die shown in FIG. 1;
FIG. 3 is an elevational view of one side of the die shown
in FIG. 1; and,
FIG. 4 is an elevational view of another side of the die
shown in FIG. 1.

(56) **References Cited**

U.S. PATENT DOCUMENTS

D94,634 S * 2/1935 Saxmann D21/386

1 Claim, 4 Drawing Sheets



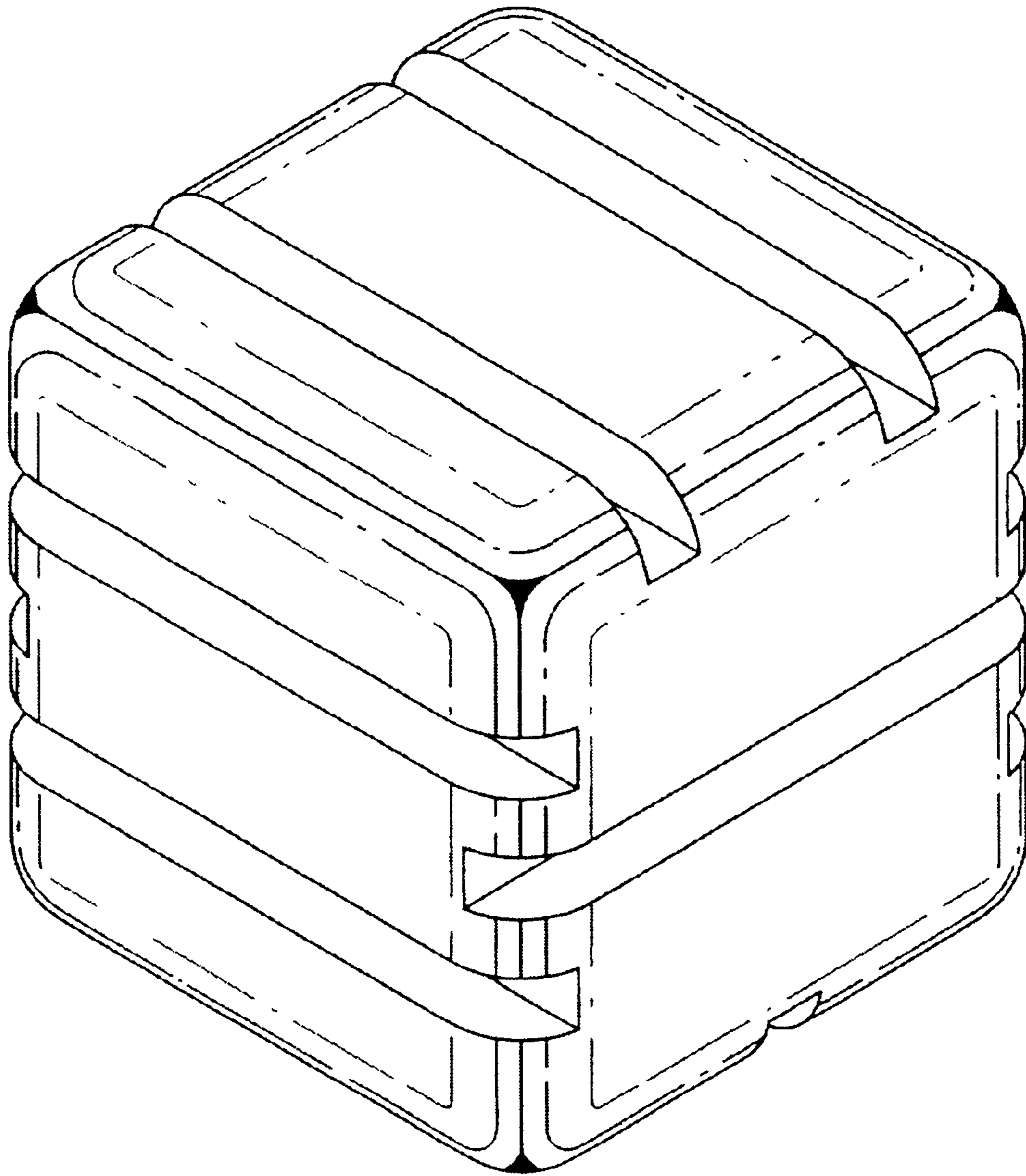


FIG. 1

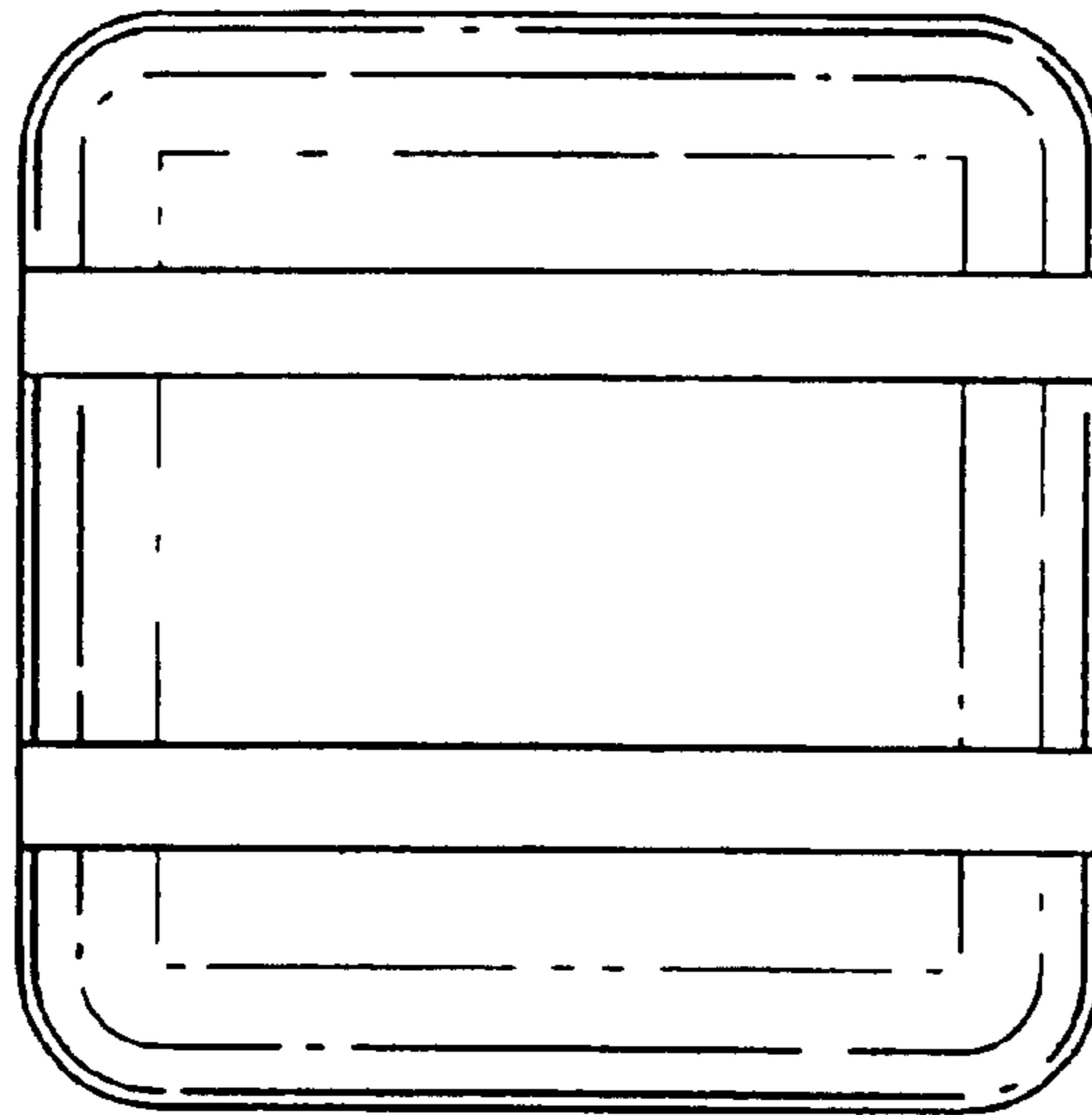


FIG. 2

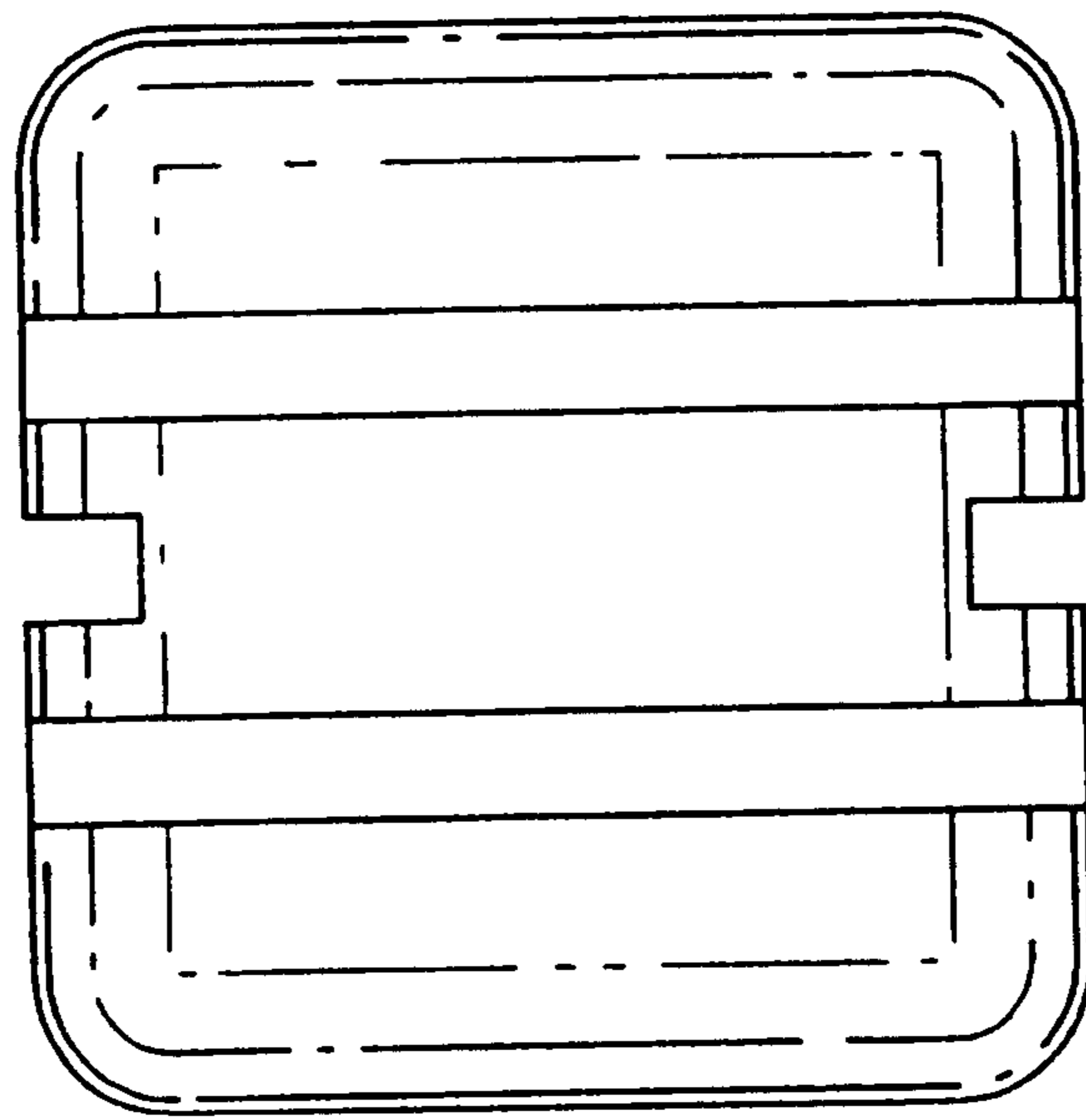


FIG. 3

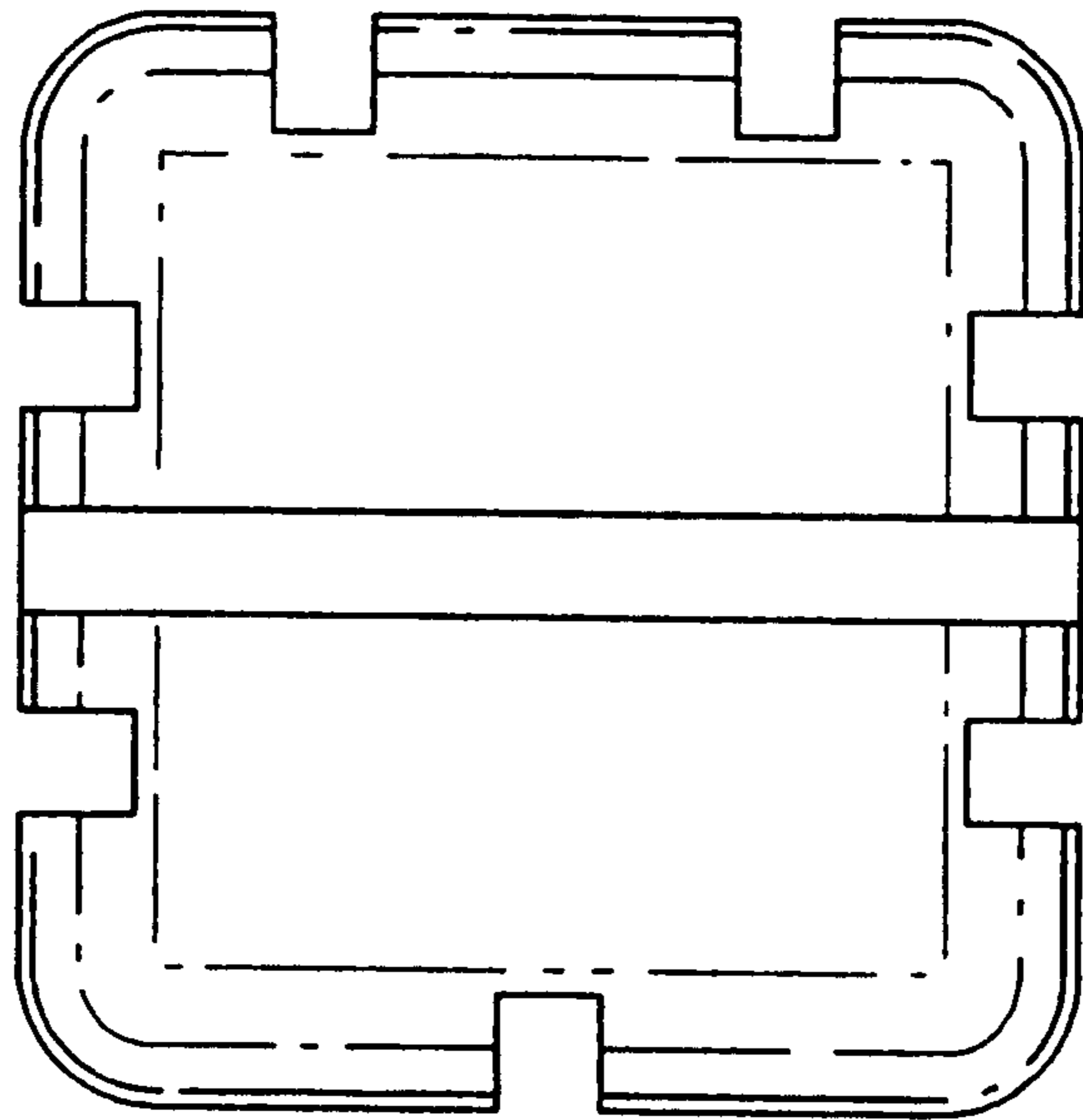


FIG.4