



US00D524870S

(12) **United States Design Patent**
Sugino et al.

(10) **Patent No.:** **US D524,870 S**
(45) **Date of Patent:** **** Jul. 11, 2006**

(54) **HAND-HELD ELECTRONIC GAME MACHINE**

(75) Inventors: **Kenichi Sugino**, Kyoto (JP); **Masato Ibuki**, Kyoto (JP)

(73) Assignee: **Nintendo Co., Ltd.**, Kyoto (JP)

(**) Term: **14 Years**

(21) Appl. No.: **29/214,176**

(22) Filed: **Sep. 30, 2004**

(30) **Foreign Application Priority Data**

Apr. 1, 2004	(JP)	2004-010087
Apr. 1, 2004	(JP)	2004-010089
Jul. 28, 2004	(JP)	2004-022560
Jul. 28, 2004	(JP)	2004-022565

(51) **LOC (8) Cl.** **21-01**

(52) **U.S. Cl.** **D21/330**

(58) **Field of Classification Search** D21/324,
D21/329, 330, 333; D14/496, 125; 273/148 B,
273/148 A; 463/1, 2, 29-35, 46, 47; 345/156,
345/173, 867, 903; 361/679, 681, 682, 500
See application file for complete search history.

(56) **References Cited**

U.S. PATENT DOCUMENTS

D275,971 S	10/1984	Yokoi	
4,542,903 A *	9/1985	Yokoi et al.	463/31
D321,375 S	11/1991	Leung	D21/329
5,168,423 A *	12/1992	Ohgami et al.	361/681
D333,493 S *	2/1993	Sato	D21/330
D346,408 S *	4/1994	Lee	D21/330
D378,686 S *	4/1997	Proctor et al.	D19/60
D402,708 S *	12/1998	Tai	D21/330
6,498,721 B1 *	12/2002	Kim	361/681
D474,510 S *	5/2003	Fayram et al.	D21/330
D484,918 S	1/2004	Okada et al.	
D494,190 S *	8/2004	Hong et al.	D14/496
6,850,407 B1 *	2/2005	Tanimoto et al.	361/681
6,958,902 B1 *	10/2005	Tseng et al.	361/681

* cited by examiner

Primary Examiner—Prabhakar Deshmukh

(74) *Attorney, Agent, or Firm*—Nixon & Vanderhye, P.C.

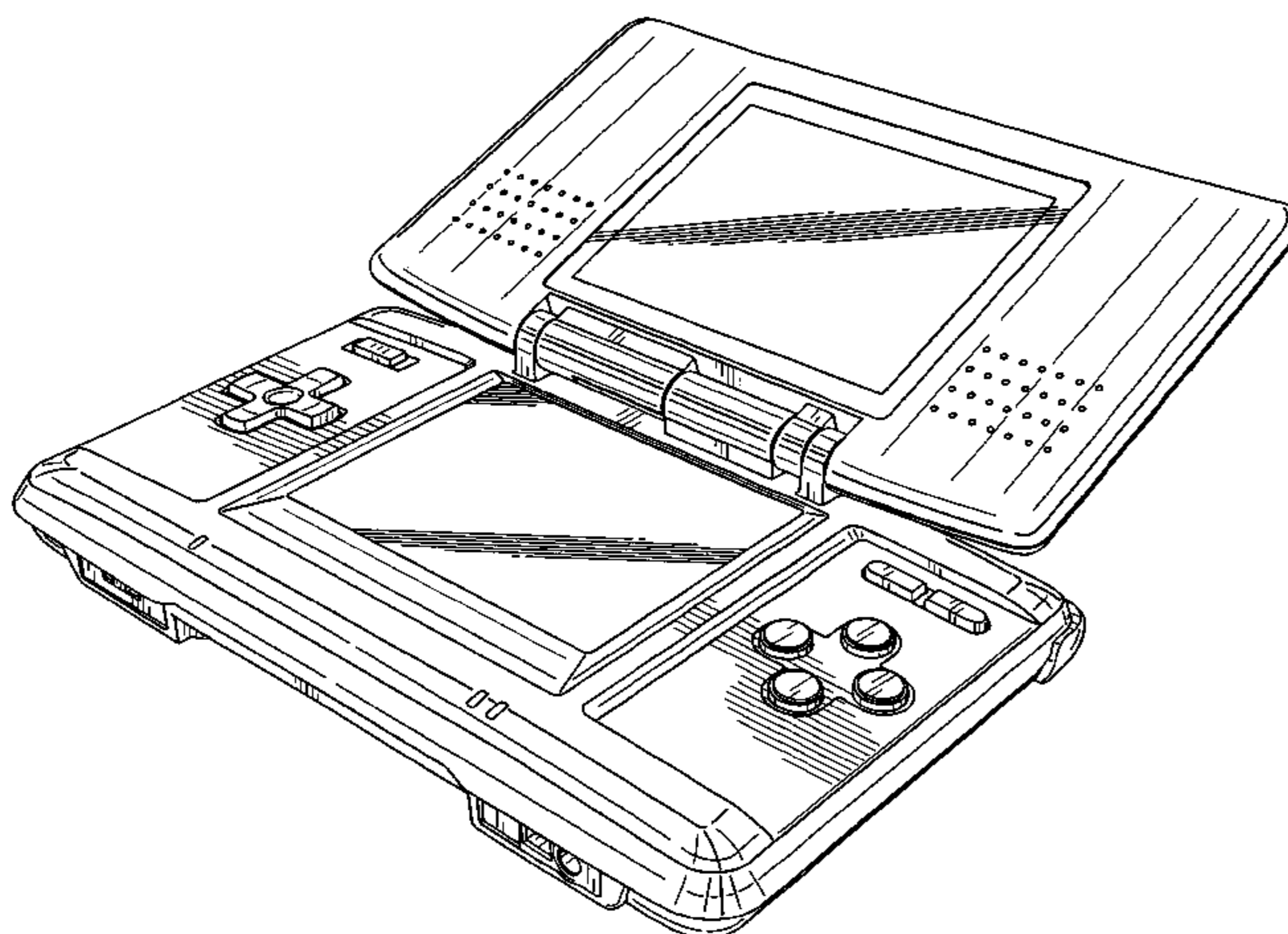
(57) **CLAIM**

The ornamental design for a hand-held electronic game machine, as shown and described.

DESCRIPTION

FIG. 1 is a top, front and right perspective view of a hand-held electronic game machine showing a first embodiment our new design, a lid with display being opened; FIG. 2 is a bottom, rear and left perspective view thereof; FIG. 3 is a top plan view thereof; FIG. 4 is a bottom plan view thereof; FIG. 5 is a front elevational view thereof; FIG. 6 is a rear elevational view thereof; FIG. 7 is a right side view thereof; FIG. 8 is a left side view thereof; FIG. 9 is a top, front and right perspective view of the first embodiment, the lid with display being folded or closed; FIG. 10 is a top plan view thereof; FIG. 11 is a bottom plan view thereof; FIG. 12 is a front elevational view thereof; FIG. 13 is a rear elevational view thereof; FIG. 14 is a right side view thereof; FIG. 15 is a left side view thereof; FIG. 16 is a top, front and right perspective view of a hand-held electronic game machine showing a second embodiment our new design, a lid with display being opened; FIG. 17 is a bottom, rear and left perspective view thereof; FIG. 18 is a top plan view thereof; FIG. 19 is a bottom plan view thereof; FIG. 20 is a front elevational view thereof; FIG. 21 is a rear elevational view thereof; FIG. 22 is a right side view thereof; FIG. 23 is a left side view thereof; FIG. 24 is a top, front and right perspective view of the second embodiment, the lid with display being folded or closed; FIG. 25 is a top plan view thereof; FIG. 26 is a bottom plan view thereof; FIG. 27 is a front elevational view thereof; FIG. 28 is a rear elevational view thereof; FIG. 29 is a right side view thereof; and, FIG. 30 is a left side view thereof.

1 Claim, 16 Drawing Sheets



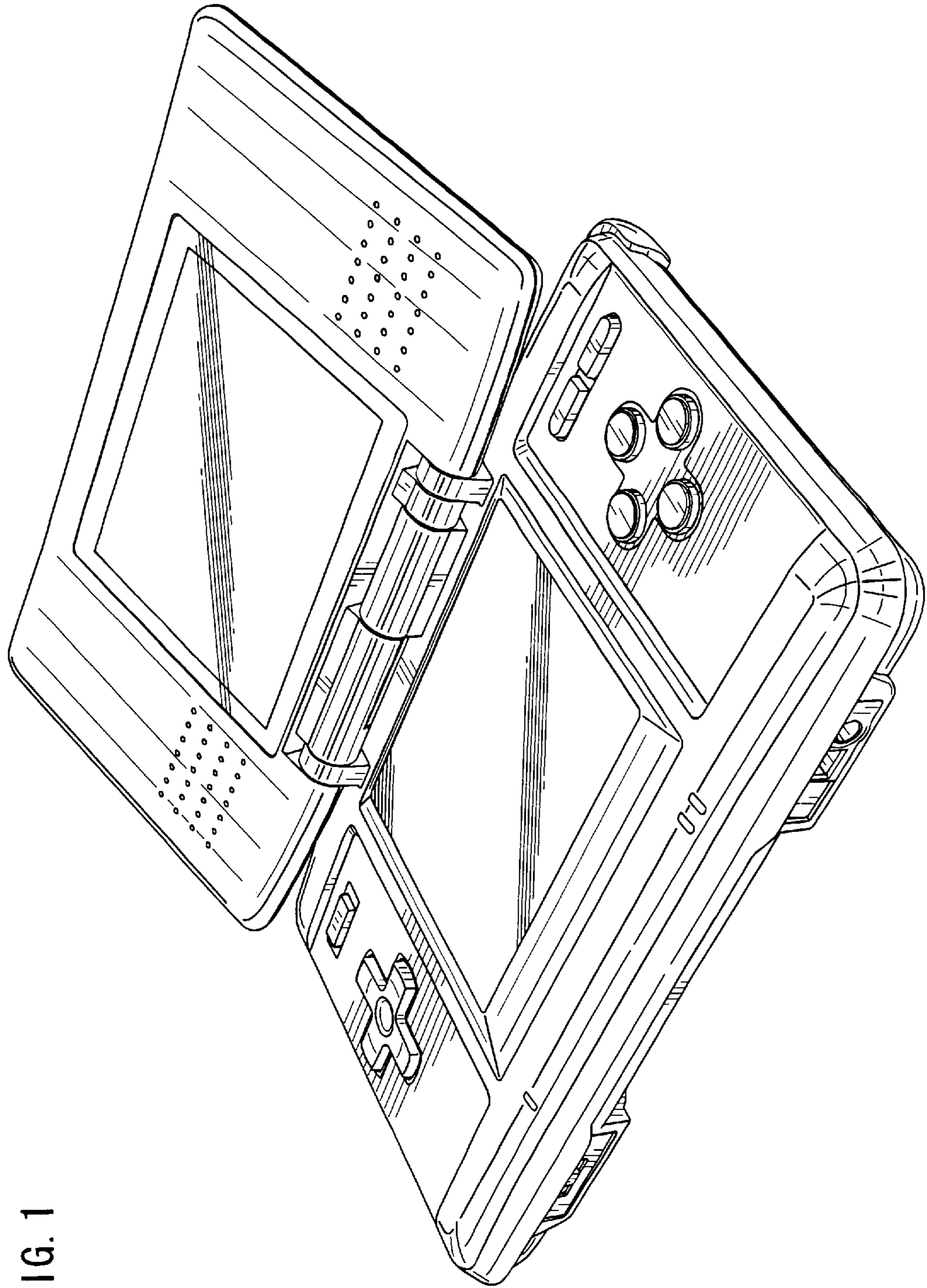


FIG. 1

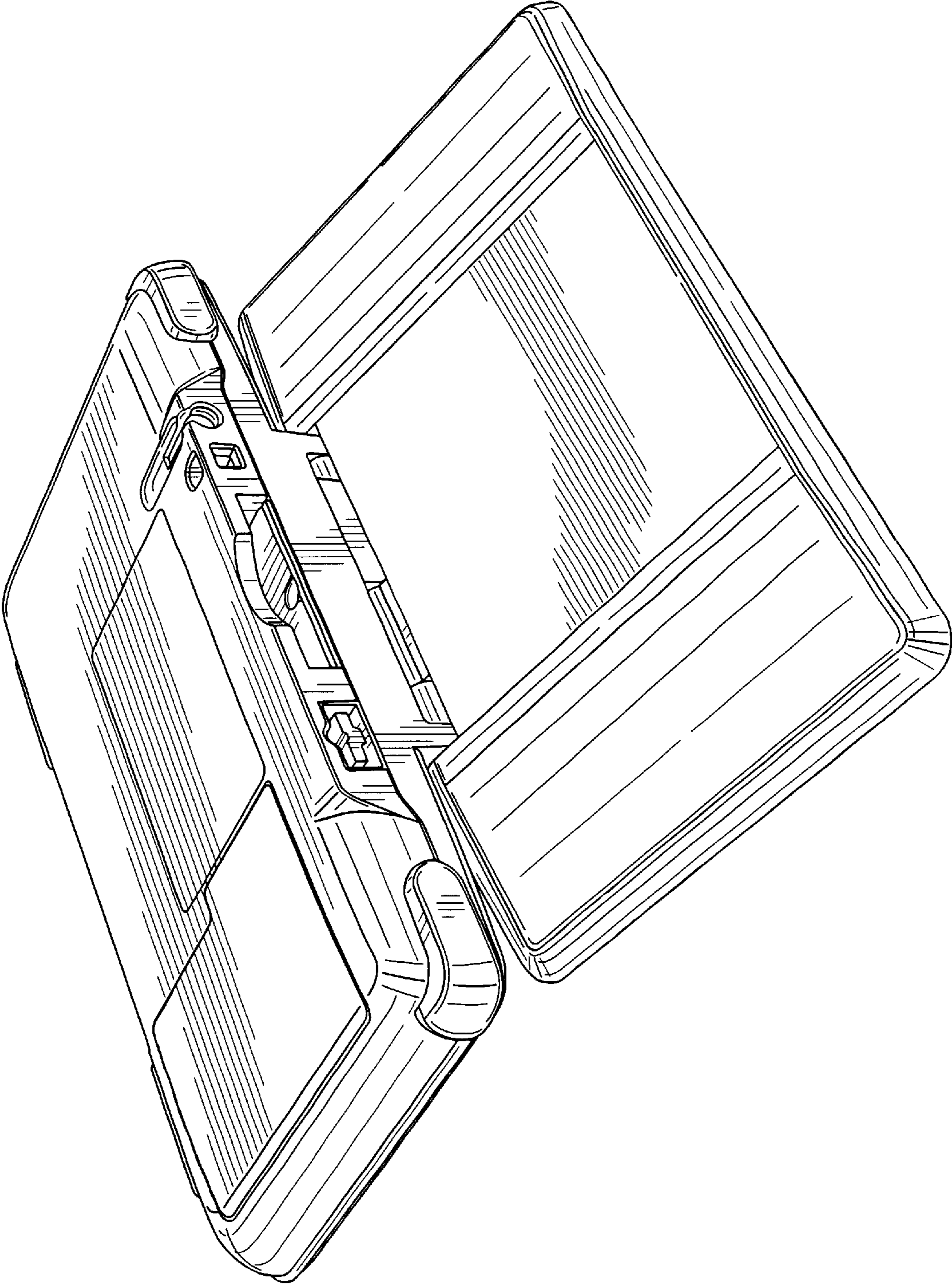


FIG. 2

FIG. 3

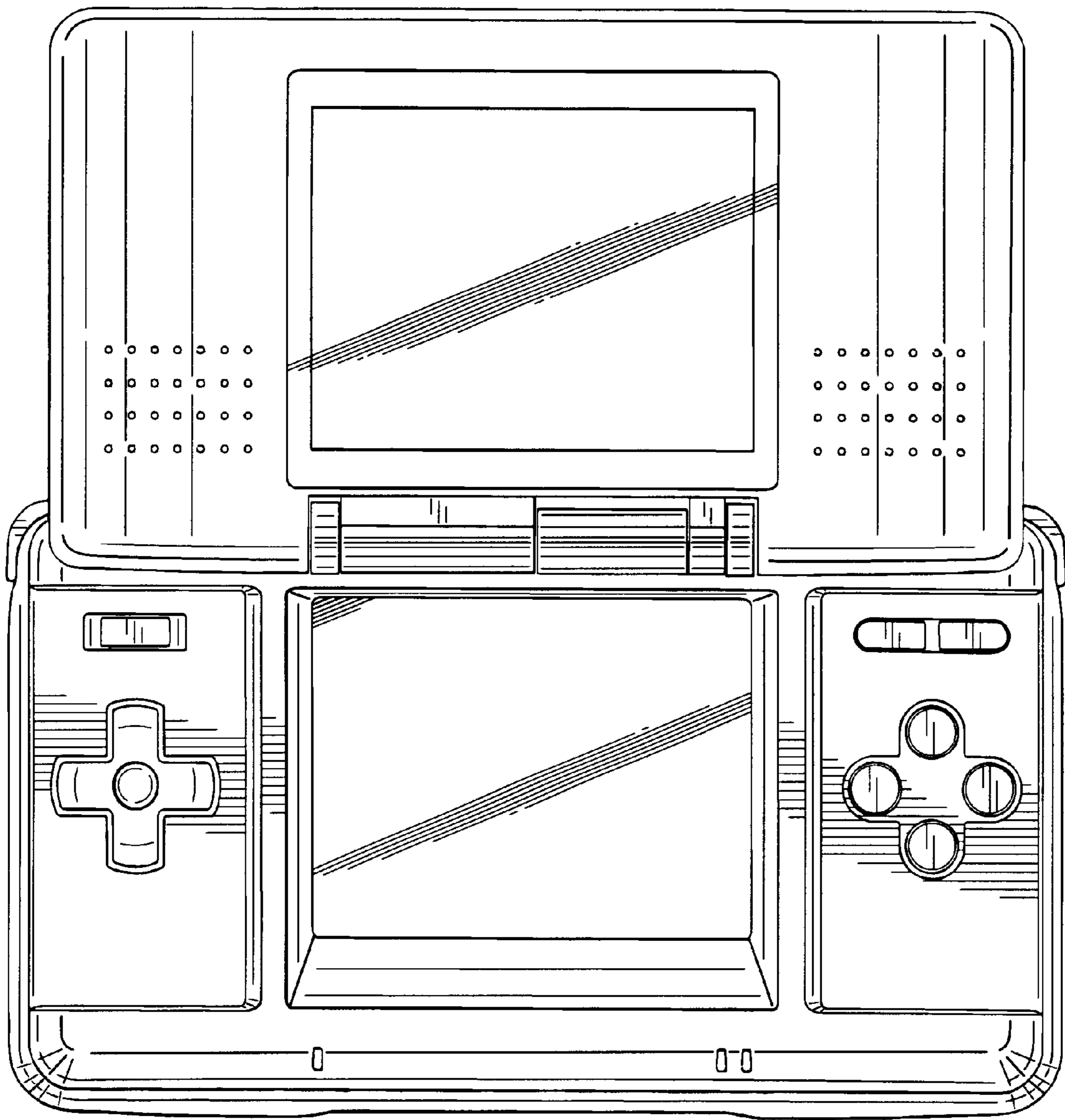


FIG. 4

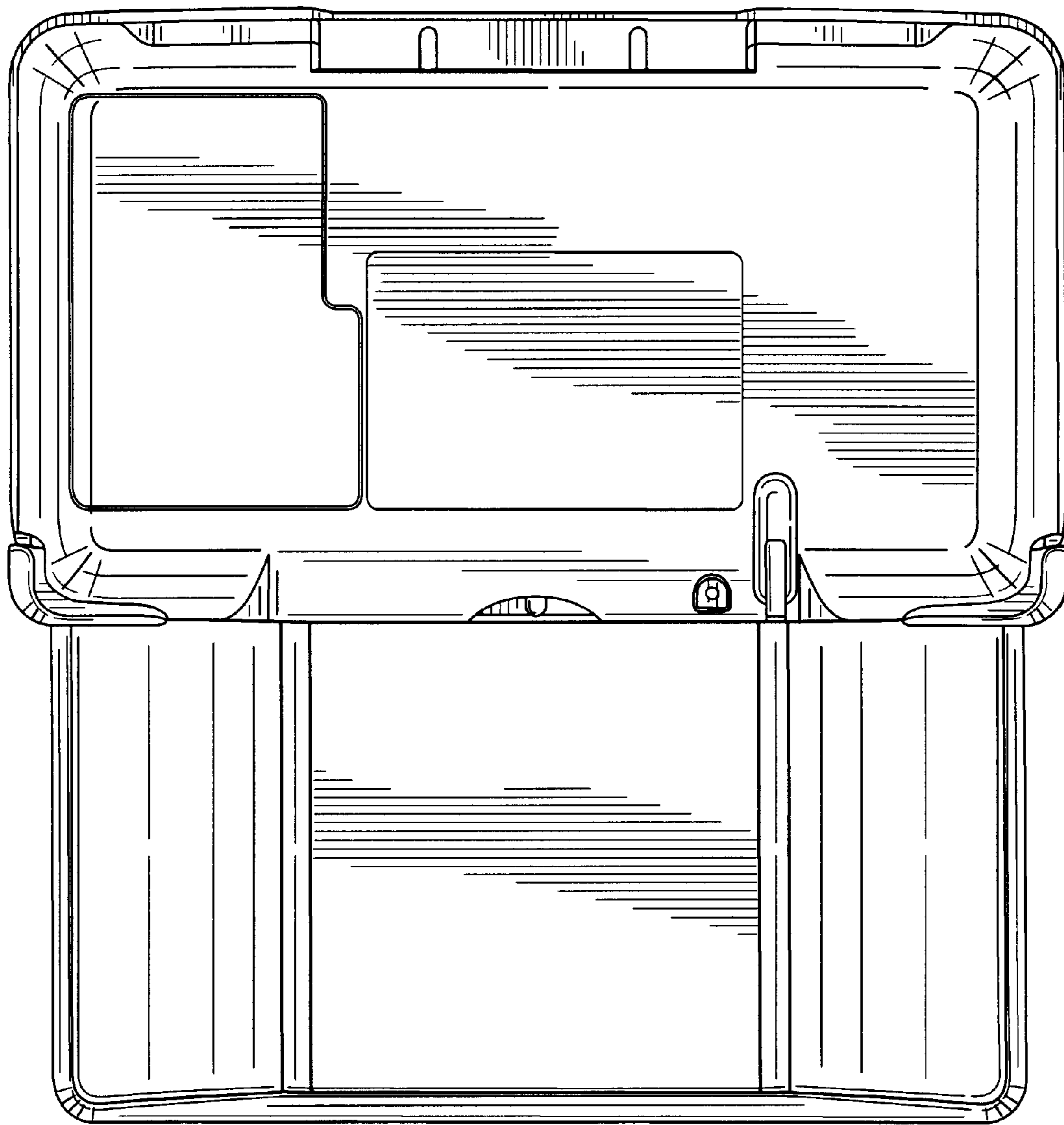


FIG. 5

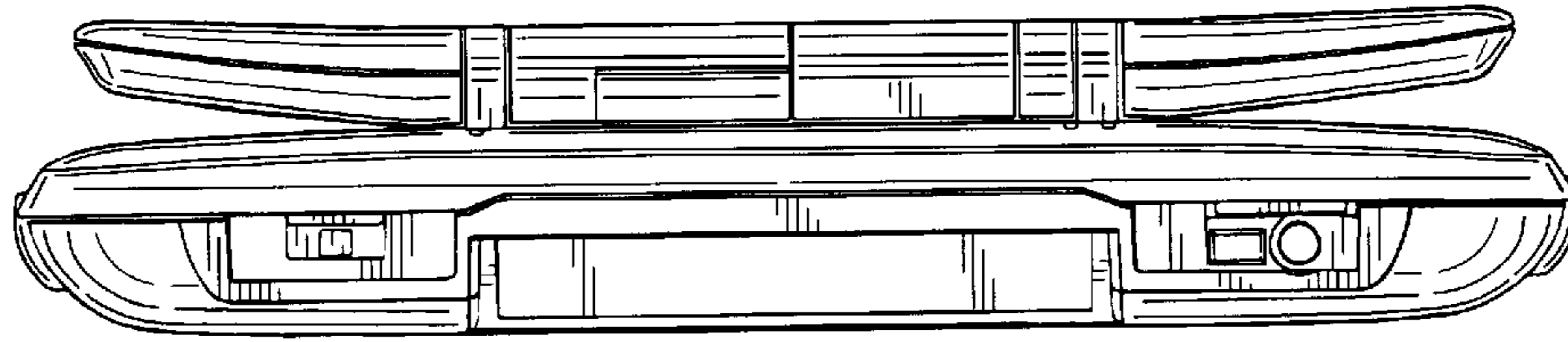


FIG. 6

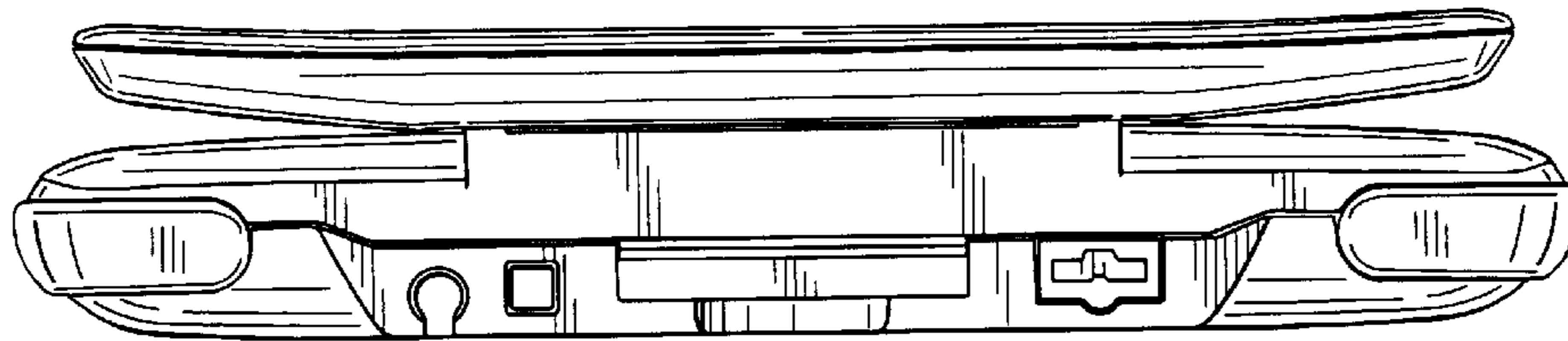


FIG. 7

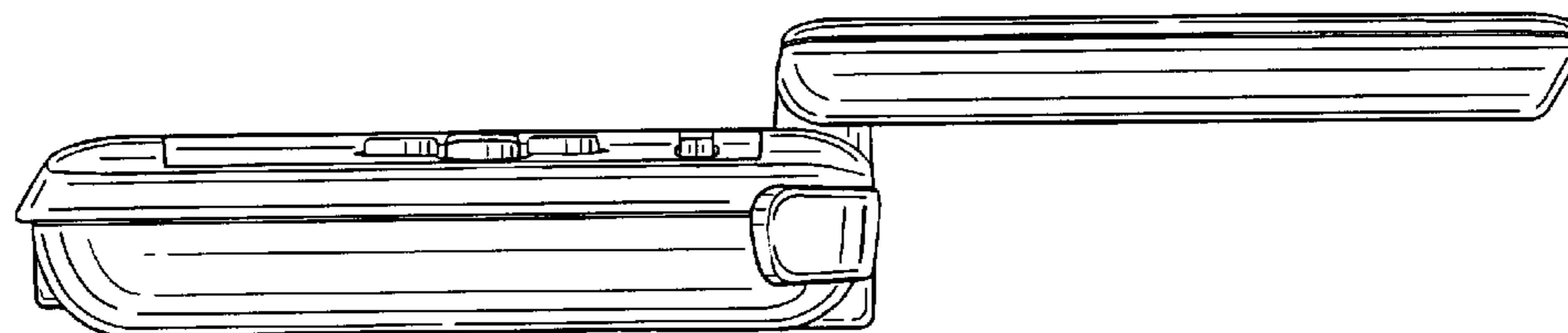


FIG. 8

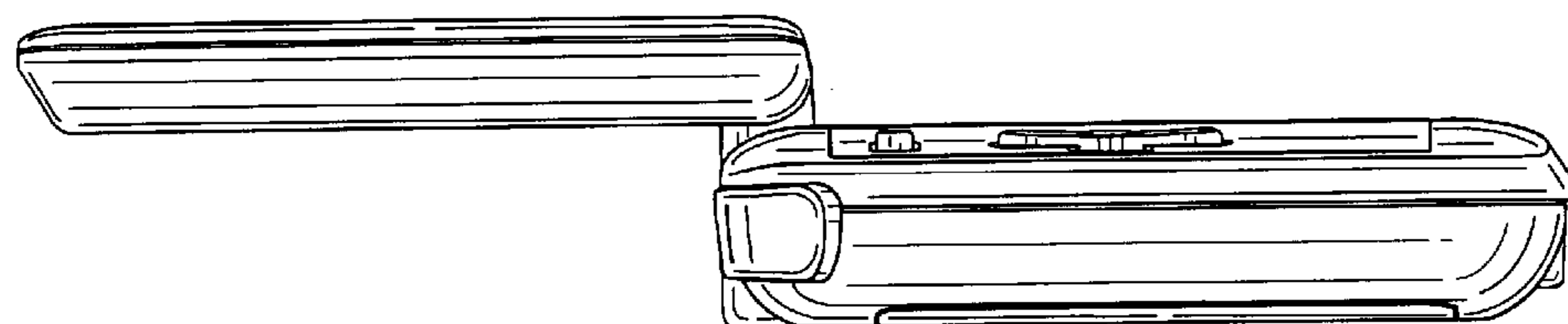


FIG. 9

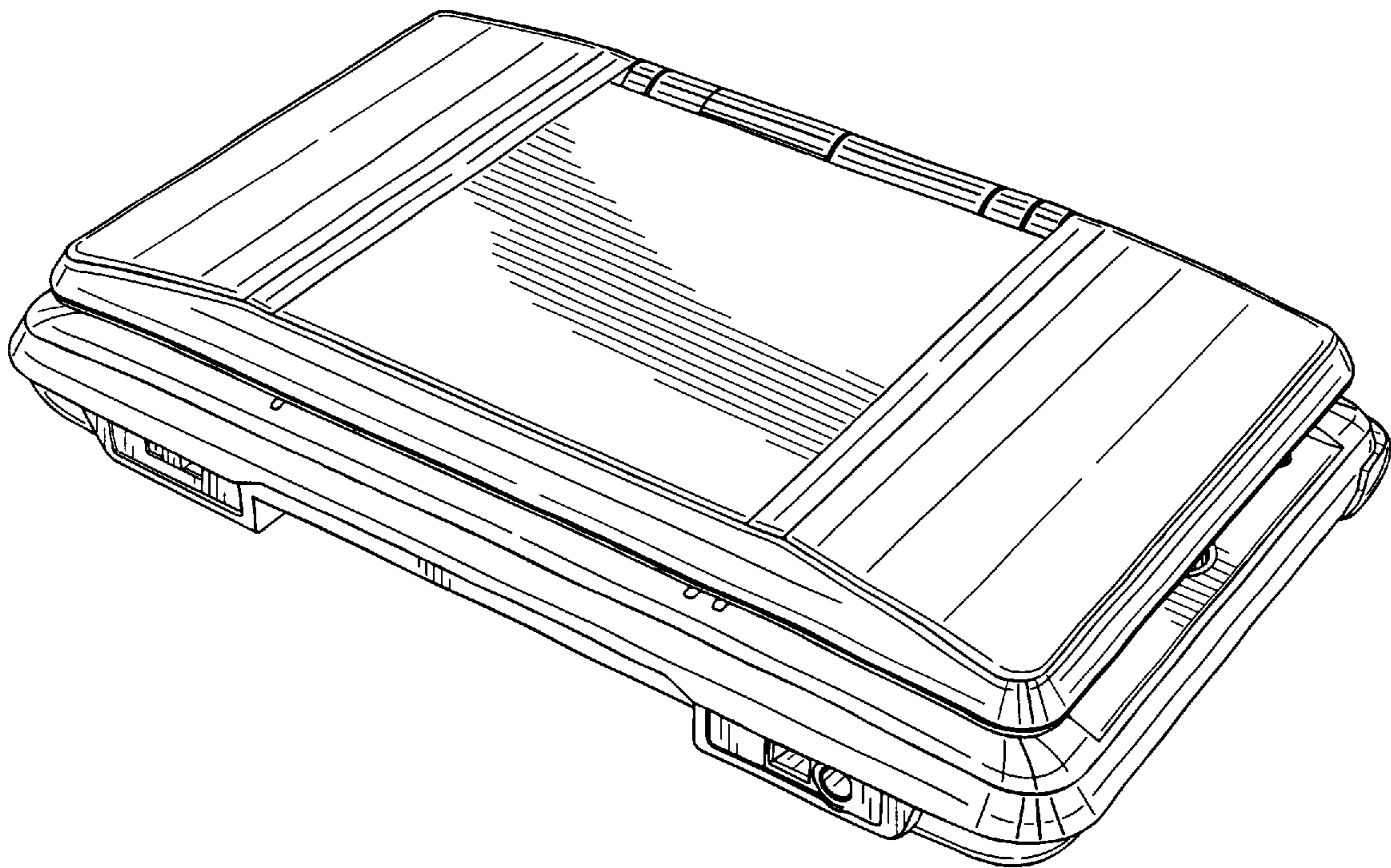


FIG. 10

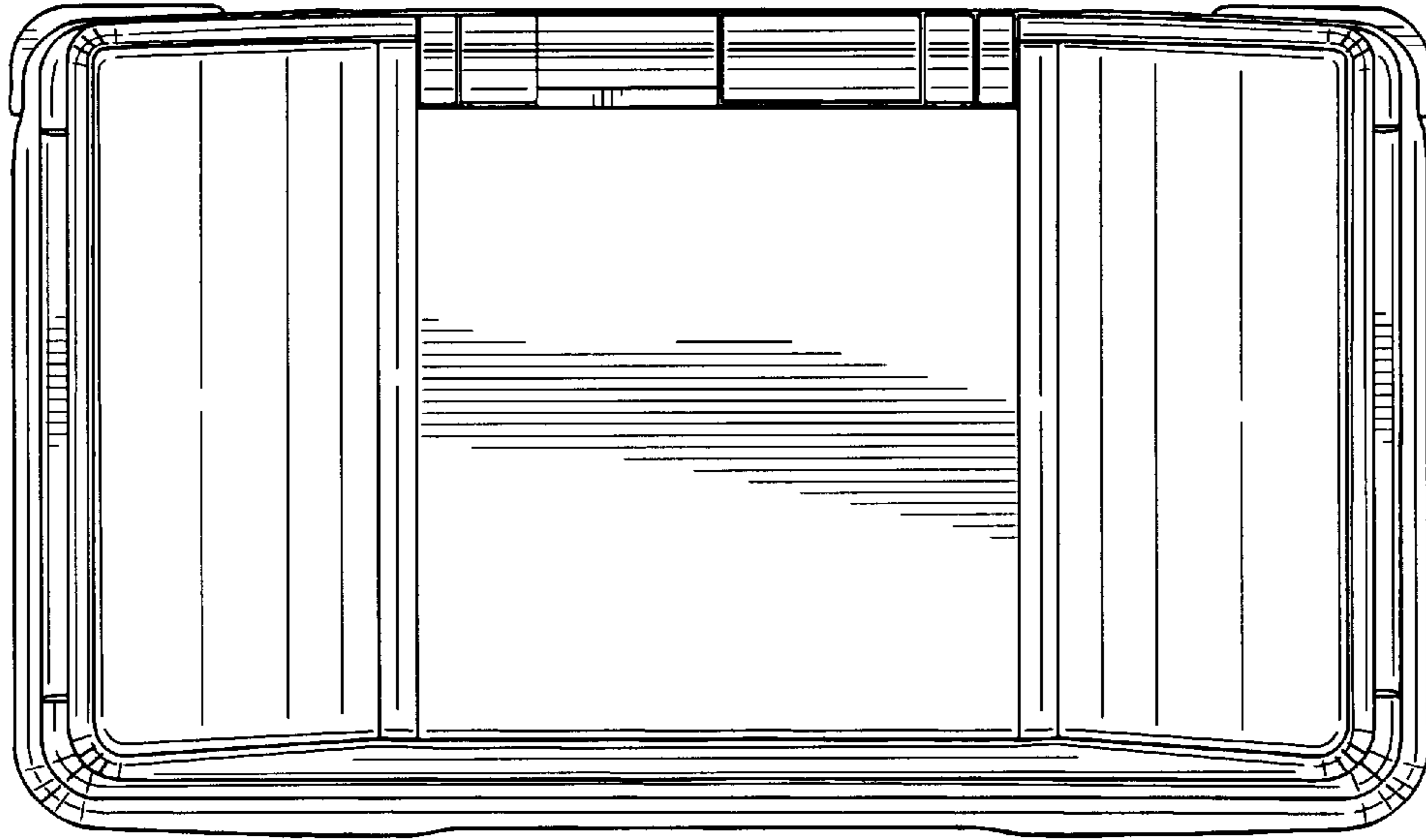


FIG. 11

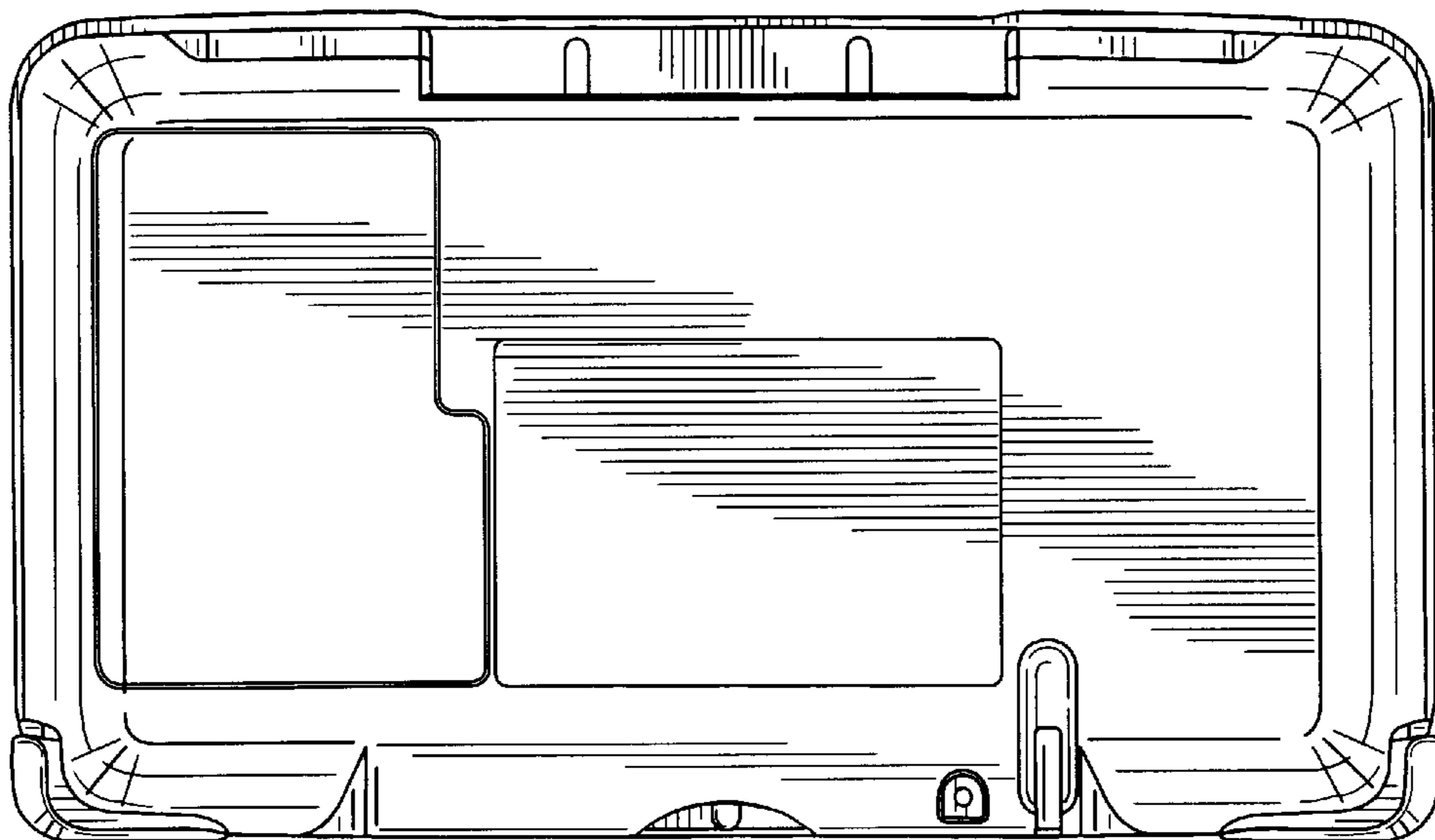


FIG. 12

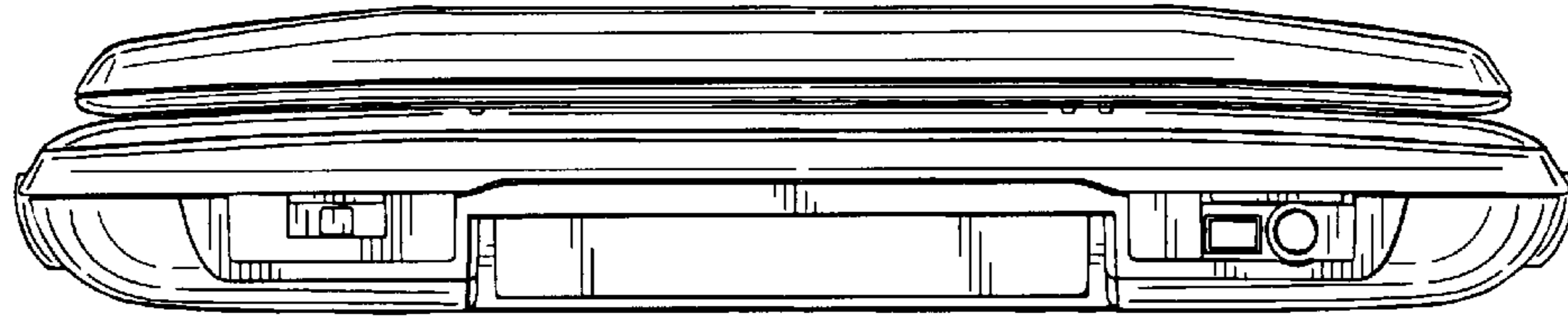


FIG. 13

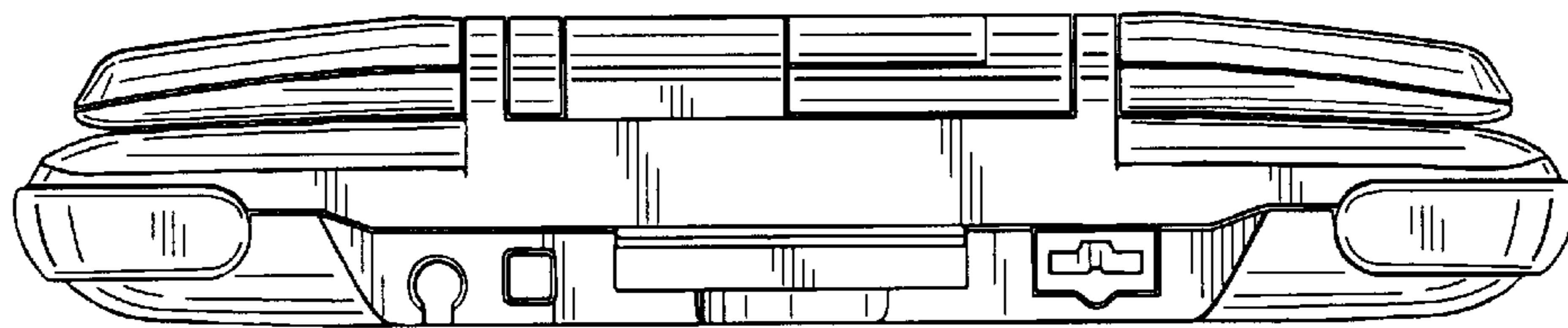


FIG. 14

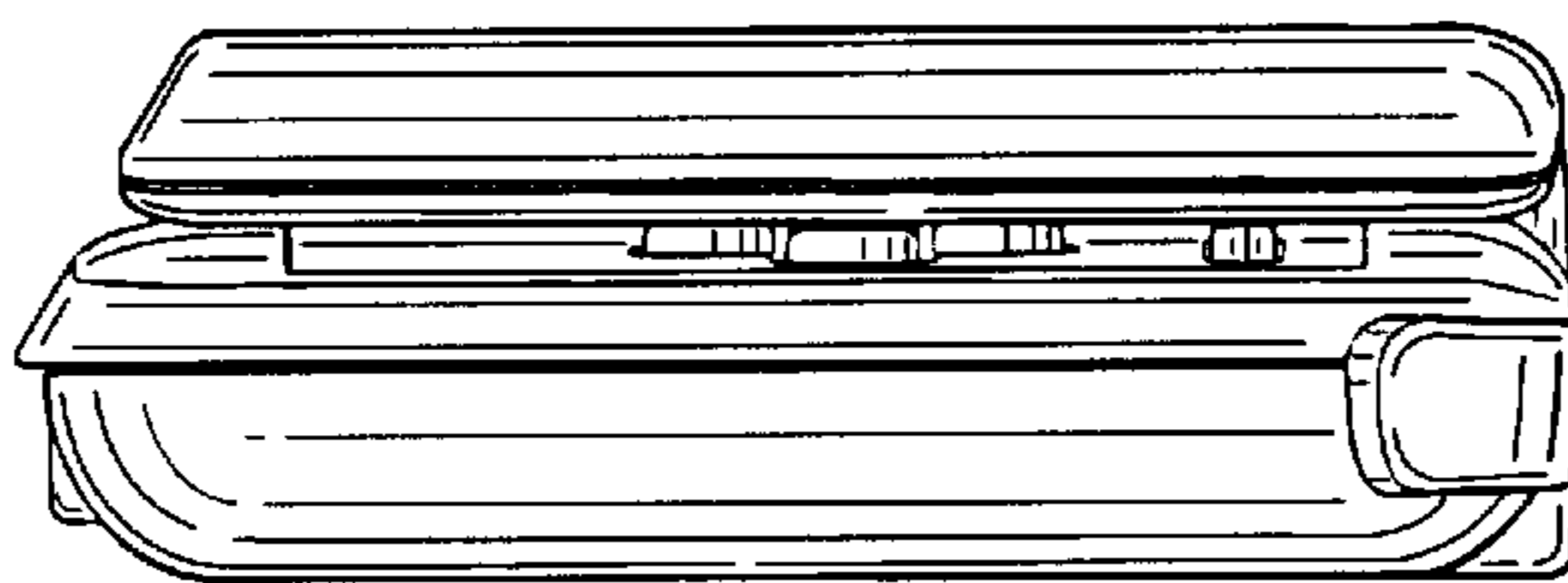
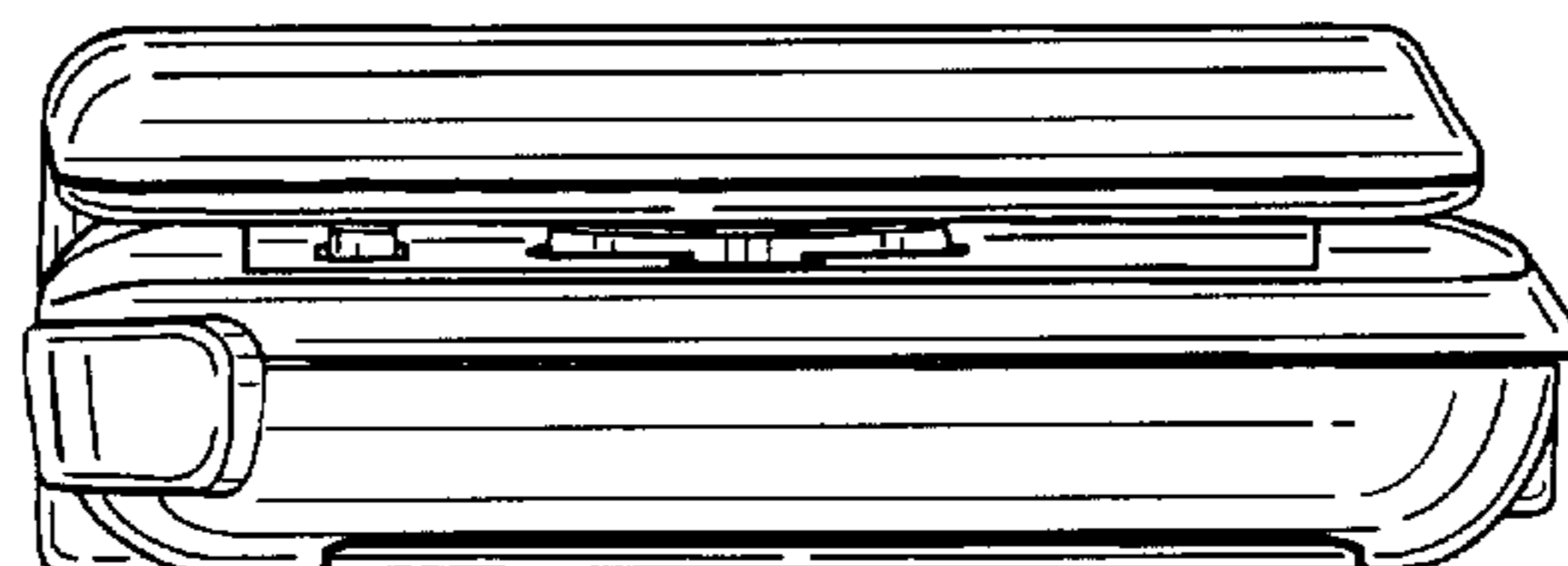


FIG. 15



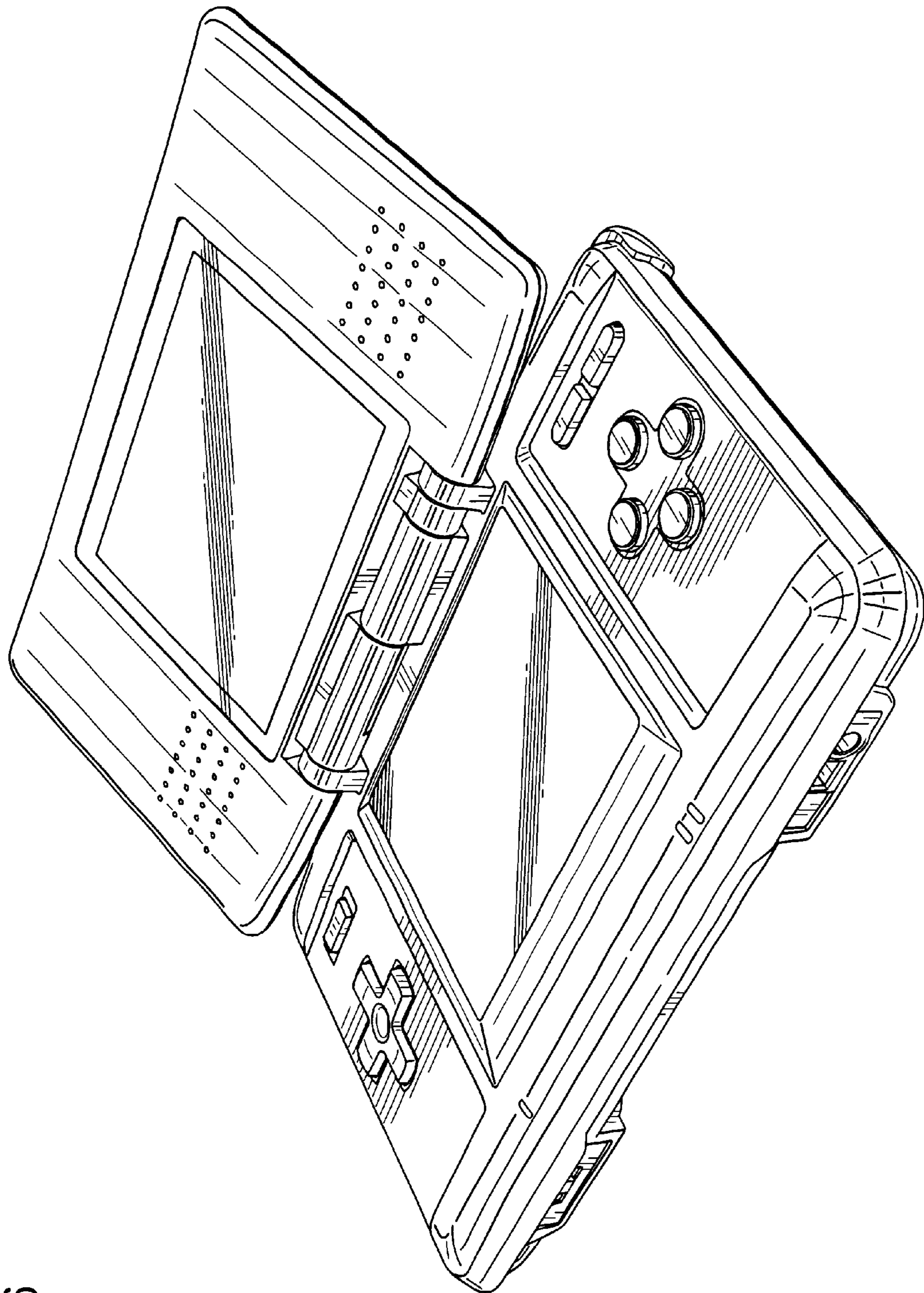


FIG. 16

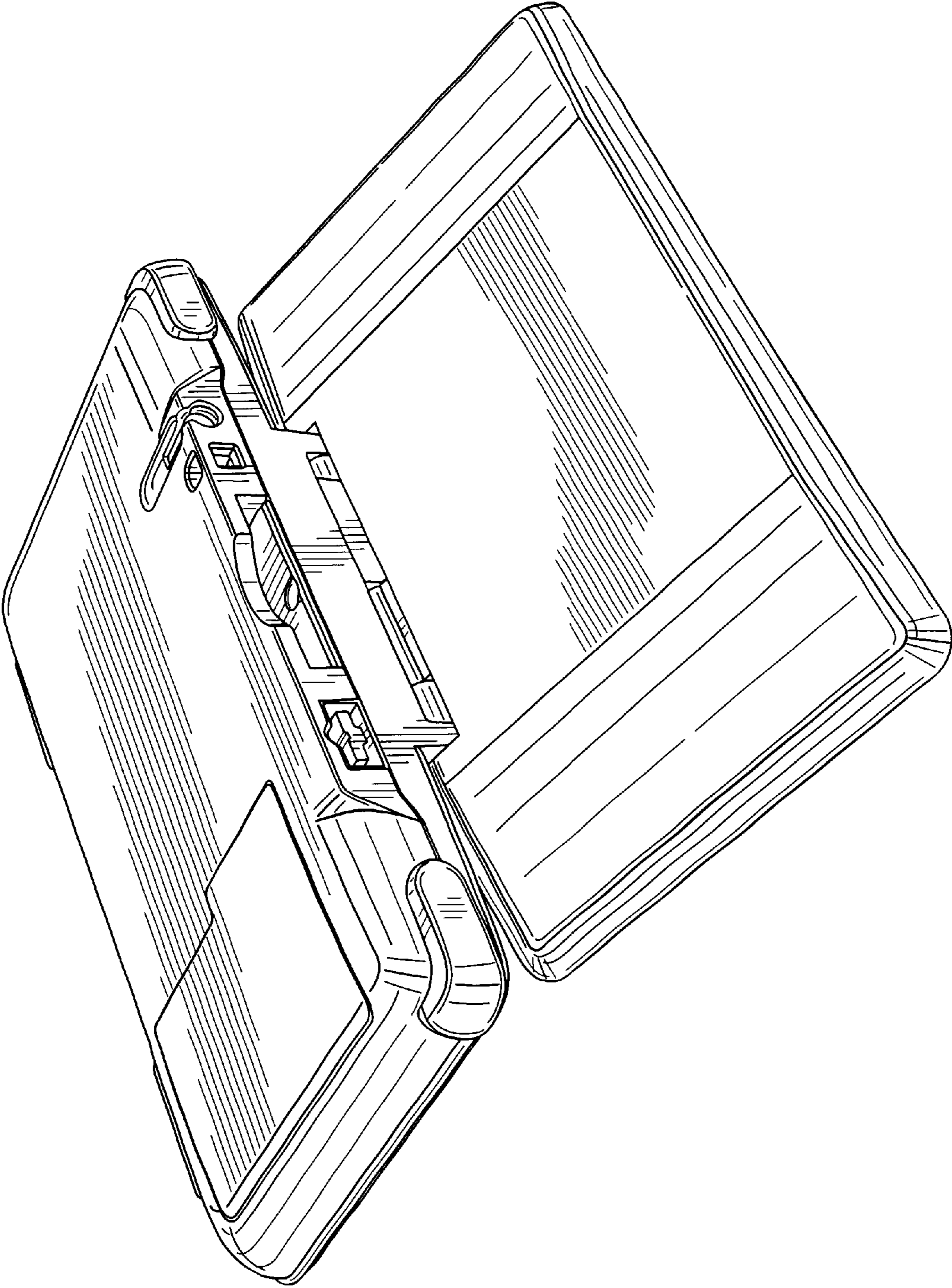


FIG. 17

FIG. 18

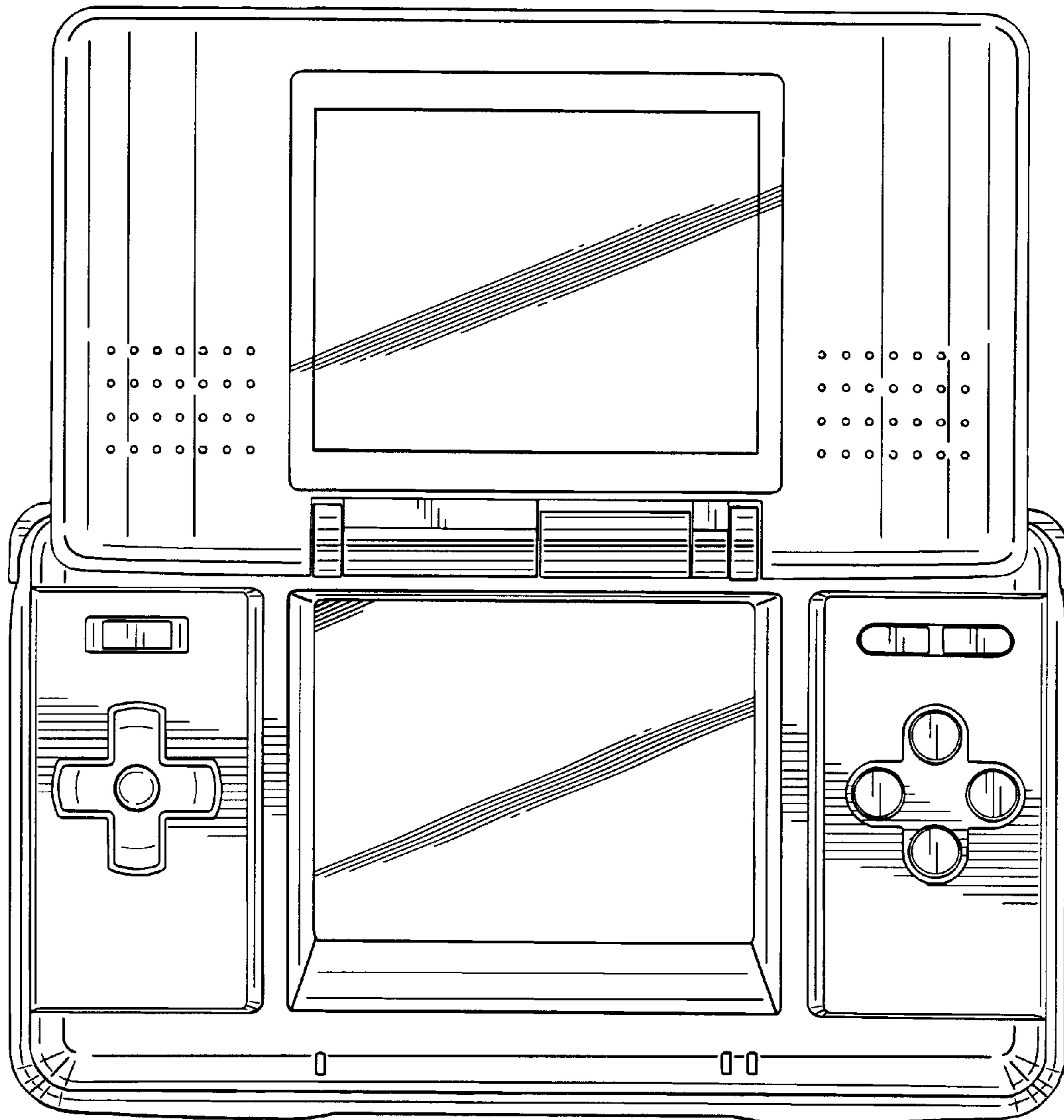


FIG. 19

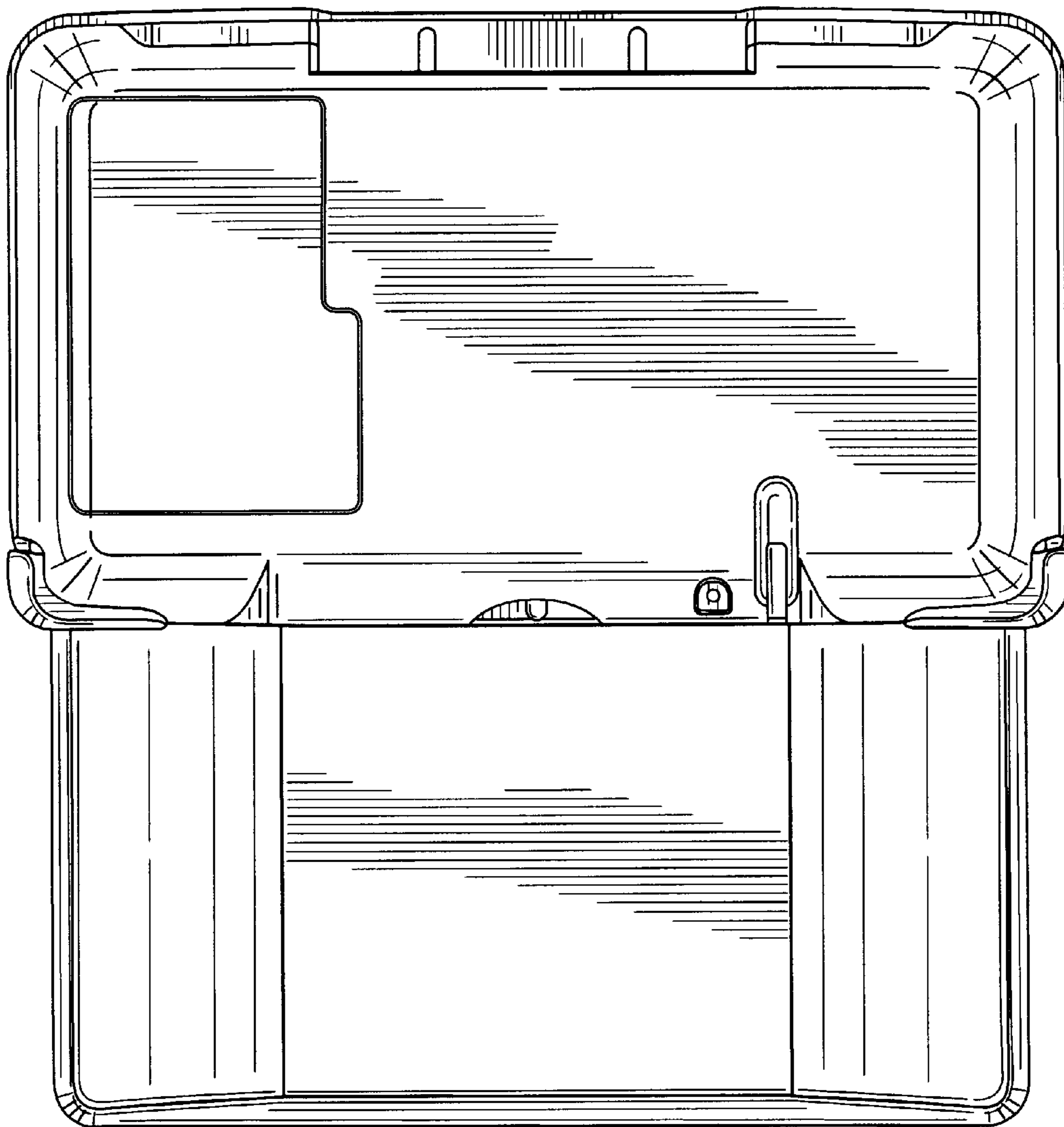


FIG. 20

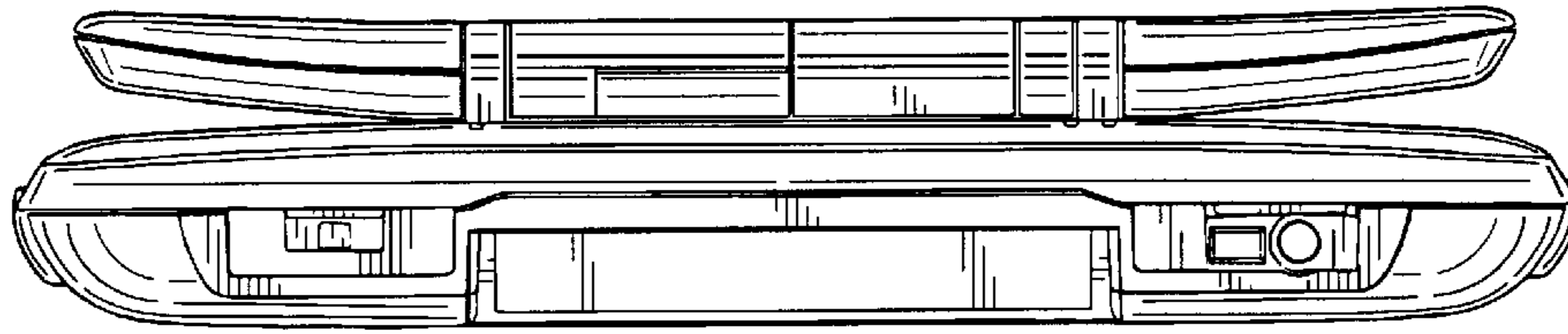


FIG. 21

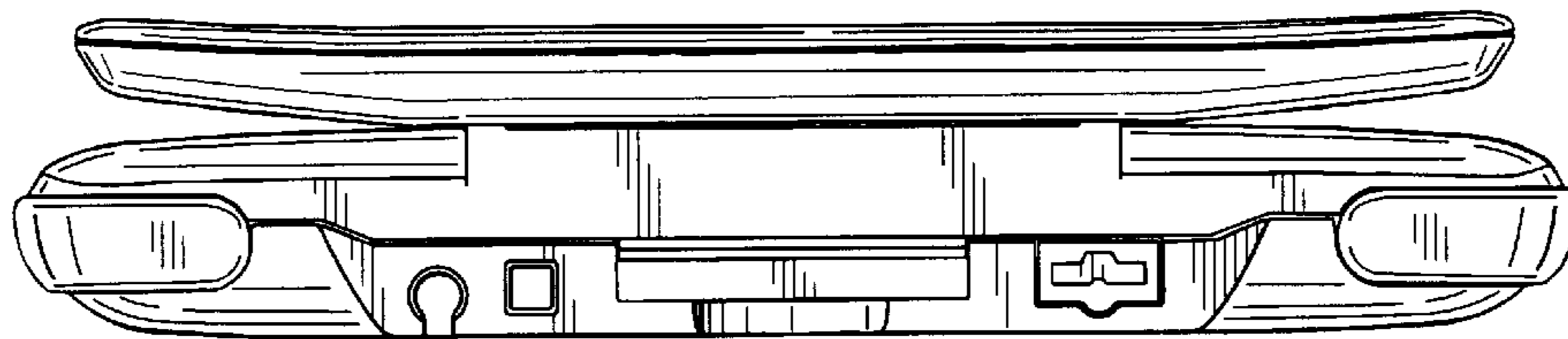


FIG. 22

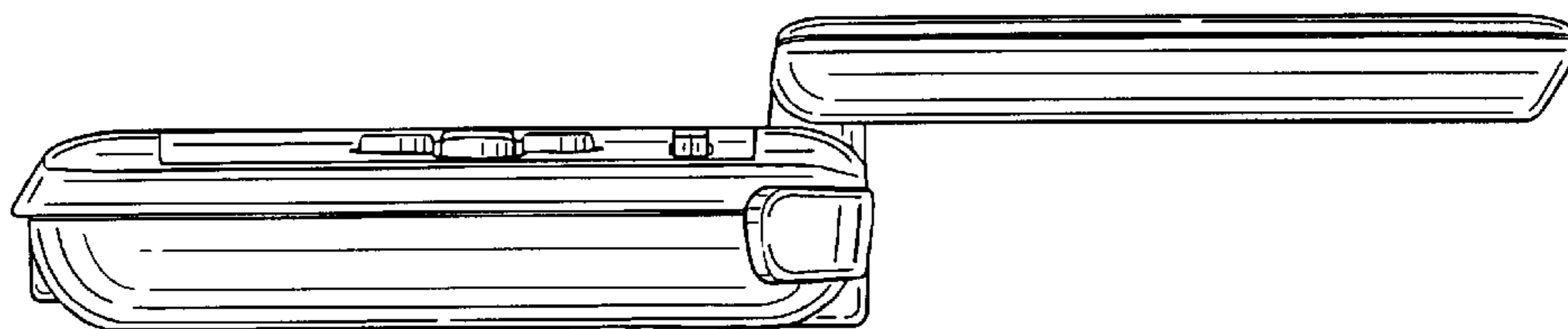


FIG. 23

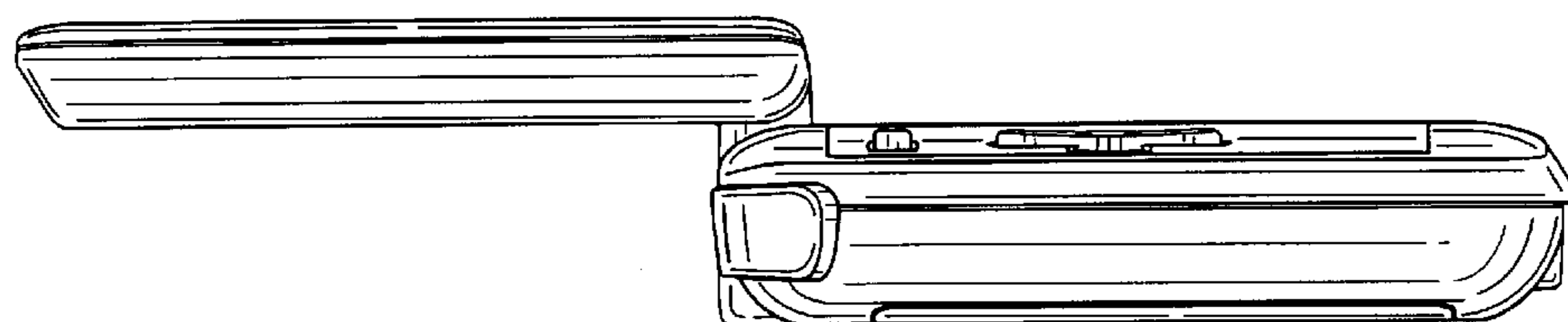


FIG. 24

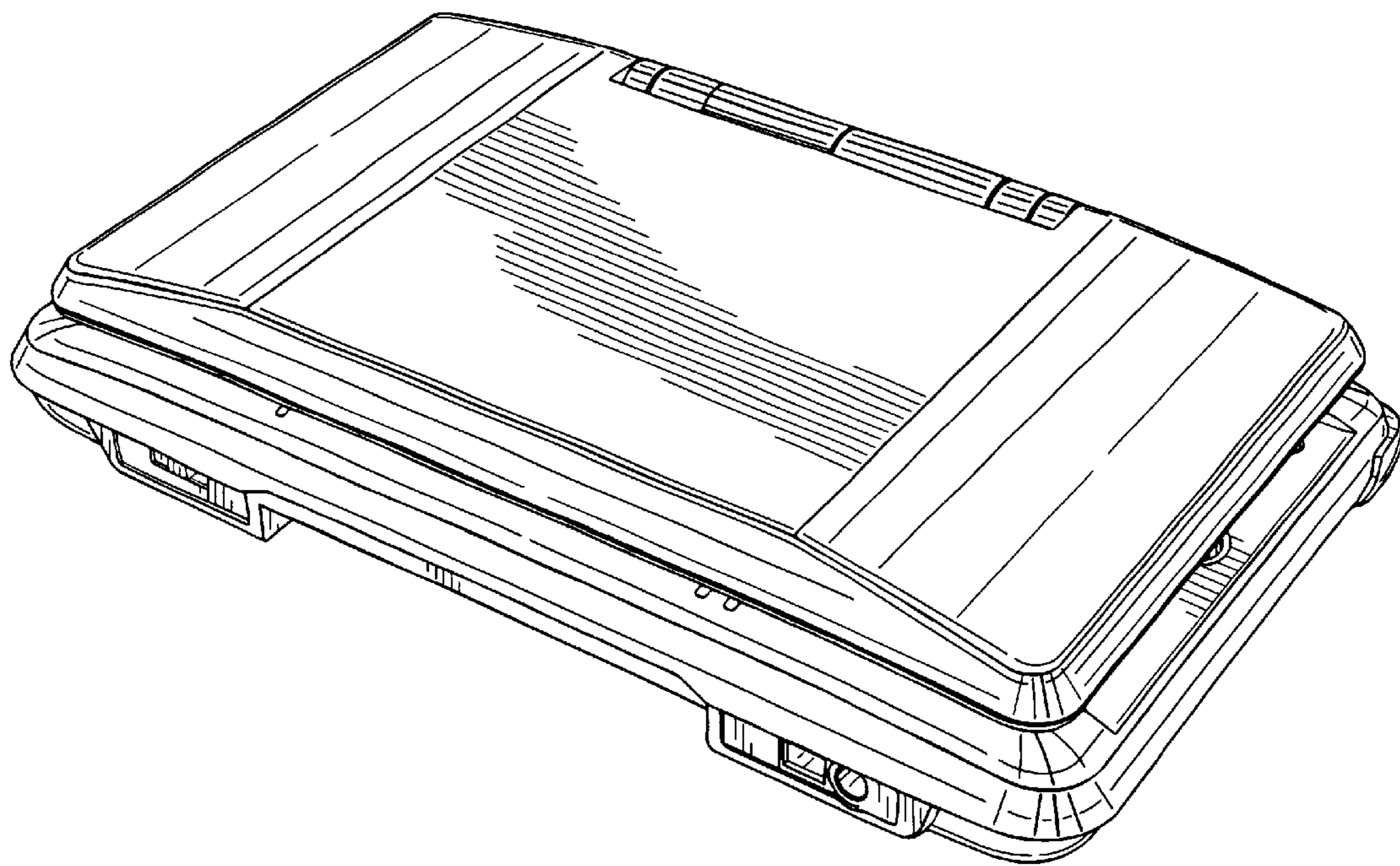


FIG. 25

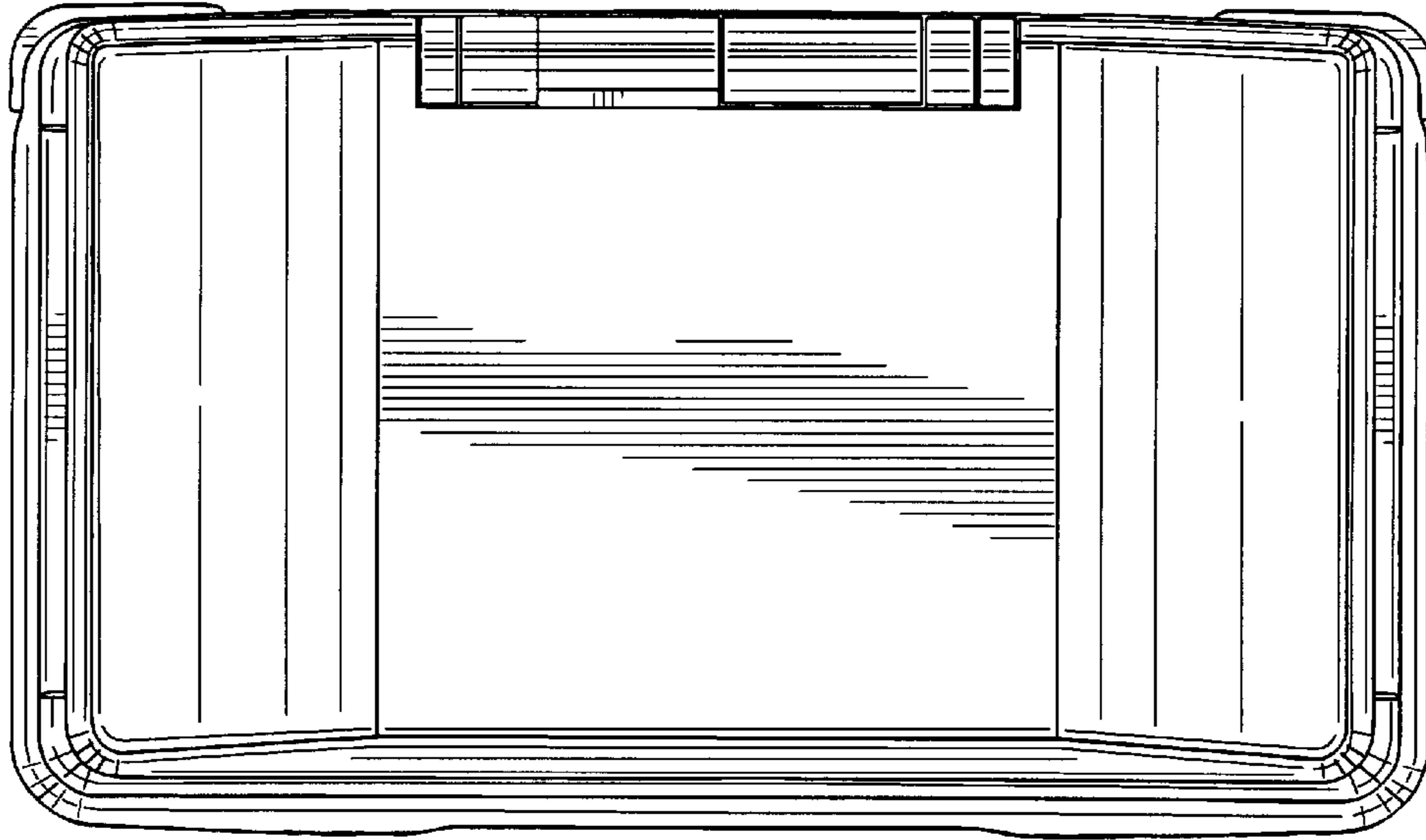


FIG. 26

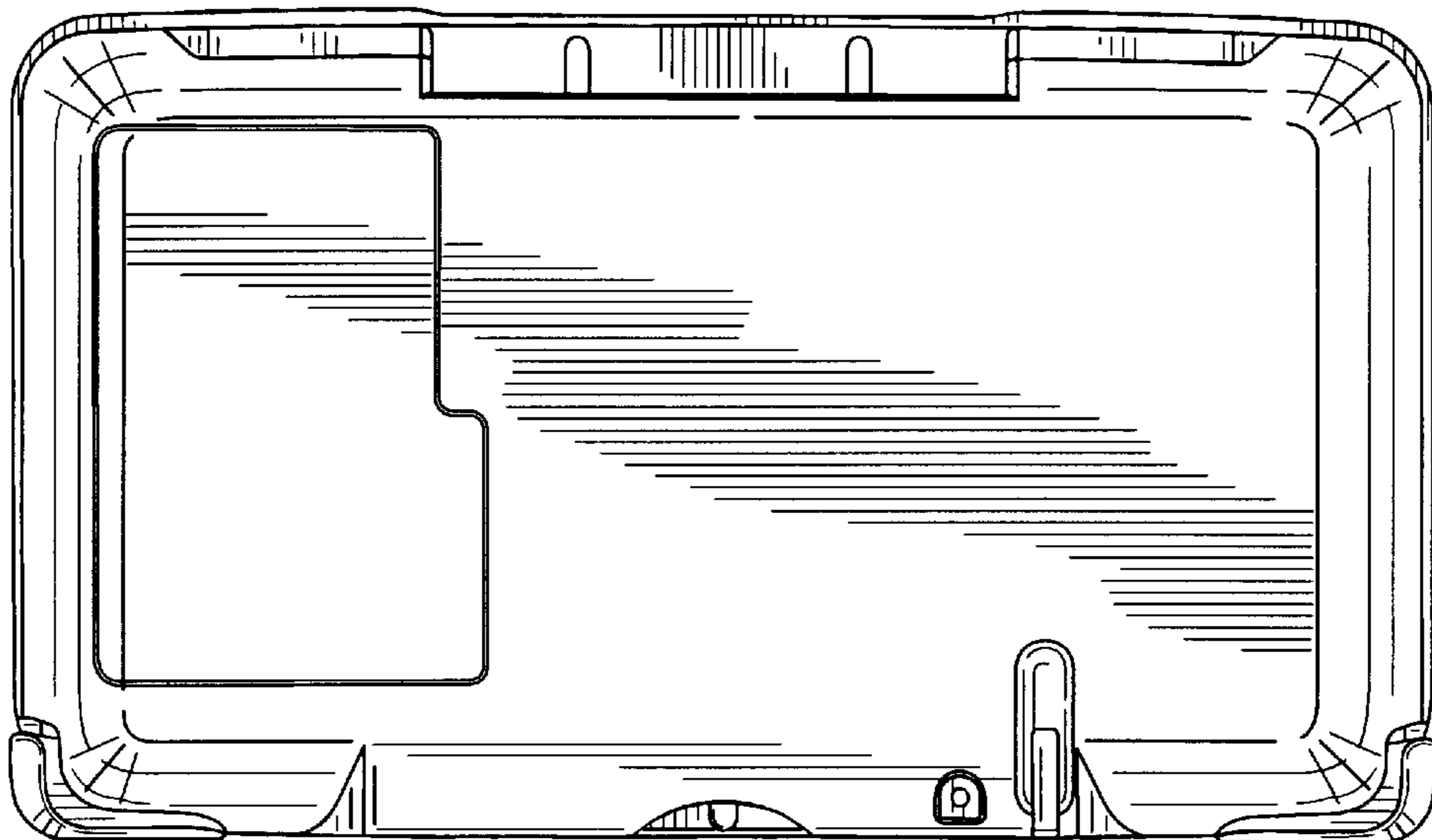


FIG. 27

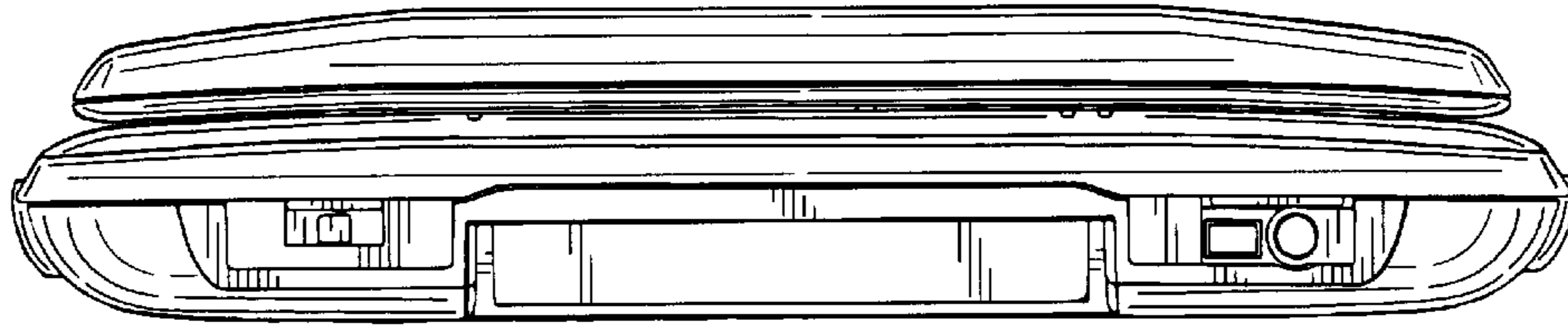


FIG. 28

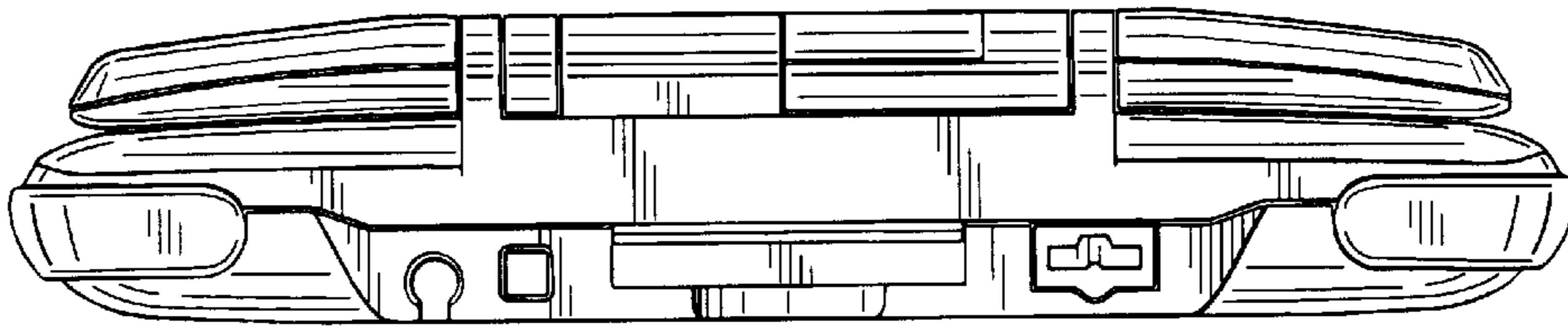


FIG. 29

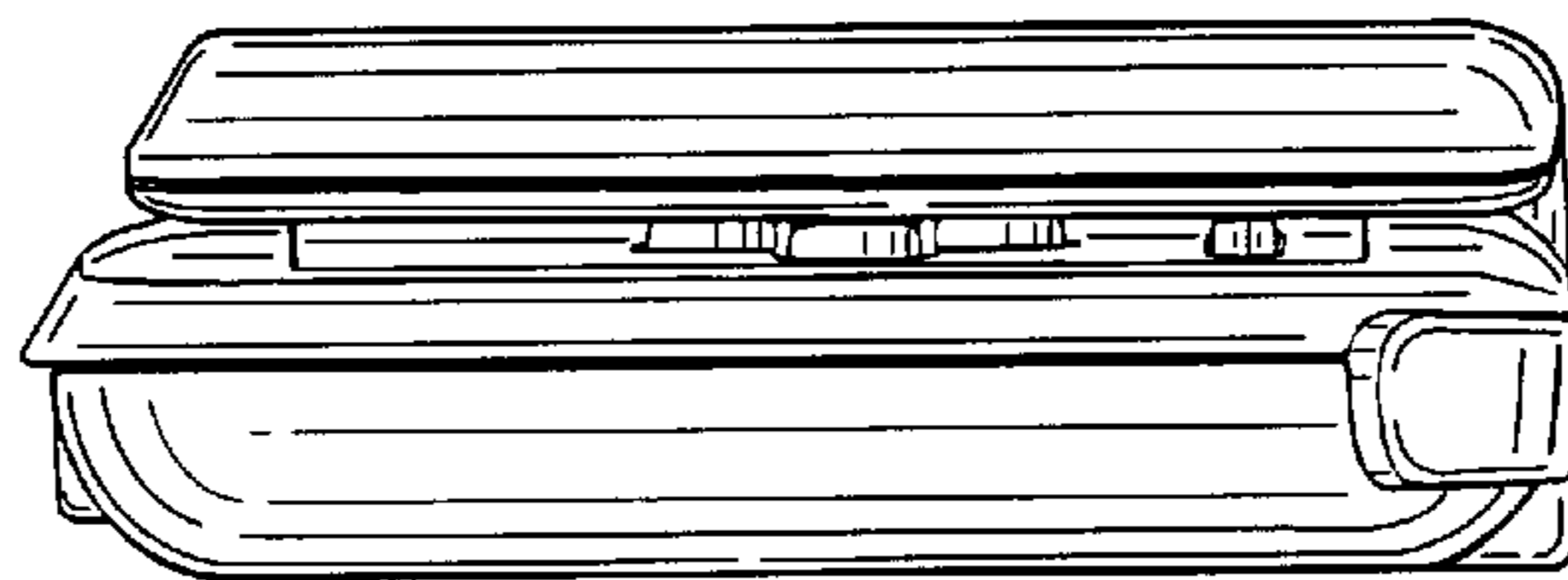


FIG. 30

