



US00D524869S

(12) **United States Design Patent**
Breslow et al.

(10) **Patent No.:** **US D524,869 S**
(45) **Date of Patent:** **** Jul. 11, 2006**

(54) **BALL BOUNCE GAME USING ELECTROMAGNETIC BEAMS**

(75) Inventors: **Jeffrey D. Breslow**, Chicago, IL (US);
Zarko Stambolic, Oak Park, IL (US);
Karl R. Meyer, South Hadley, MA (US)

(73) Assignee: **Hasbro, Inc.**, Pawtucket, RI (US)

(**) Term: **14 Years**

(21) Appl. No.: **29/224,039**

(22) Filed: **Feb. 24, 2005**

(51) **LOC (8) Cl.** **21-01**

(52) **U.S. Cl.** **D21/324; D21/312**

(58) **Field of Classification Search** D21/324,
D21/333, 300, 312, 314; 273/148 B, 238,
273/236, 454, 460; 463/7, 34, 51, 52; 434/247,
434/307 R, 365; 473/151-156, 570
See application file for complete search history.

(56) **References Cited**

U.S. PATENT DOCUMENTS

1,778,410	A	*	10/1930	Young	273/375
2,954,232	A	*	9/1960	Auer	473/155
4,102,532	A		7/1978	Van Jepmond		
4,150,825	A		4/1979	Wilson		
4,192,507	A		3/1980	Rains		
D260,023	S	*	7/1981	Pagani et al.	D21/324

4,363,484	A		12/1982	Breslow		
4,440,400	A	*	4/1984	Neuberger	473/426
4,592,554	A		6/1986	Gilbertson		
4,834,375	A	*	5/1989	Elstein et al.	473/417
5,145,182	A		9/1992	Swift		
D346,918	S	*	5/1994	Faiola	D6/470
5,649,706	A	*	7/1997	Treat et al.	273/358
5,846,086	A		12/1998	Bizzi		
D409,251	S	*	5/1999	Mok et al.	D21/314
6,478,678	B1	*	11/2002	Rimoto et al.	463/31

* cited by examiner

Primary Examiner—Prabhakar Deshmukh

(74) *Attorney, Agent, or Firm*—Perry Hoffman

(57) **CLAIM**

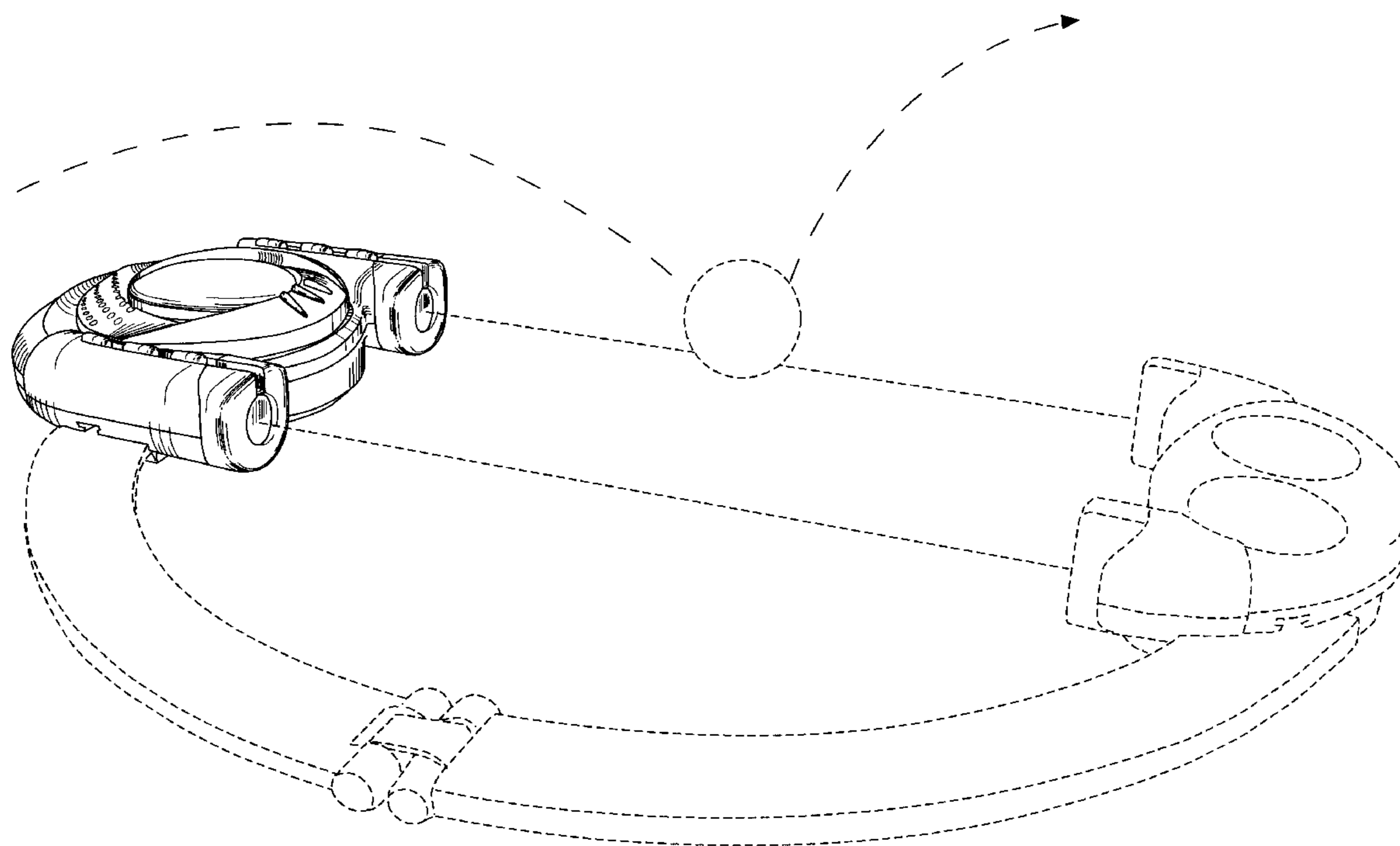
The ornamental design for a ball bounce game using electromagnetic beams, as shown and described.

DESCRIPTION

FIG. 1 is a perspective view of the ball bounce game using electromagnetic beams of the instant invention;
FIG. 2 is a top plan view thereof;
FIG. 3 is a bottom view thereof;
FIG. 4 is a front elevational view thereof;
FIG. 5 is a rear elevational view thereof;
FIG. 6 is a right side elevational view thereof; and,
FIG. 7 is a left side elevational view thereof.

The portions shown in broken lines are for illustrative purposes only; and form no part of the claimed design.

1 Claim, 5 Drawing Sheets



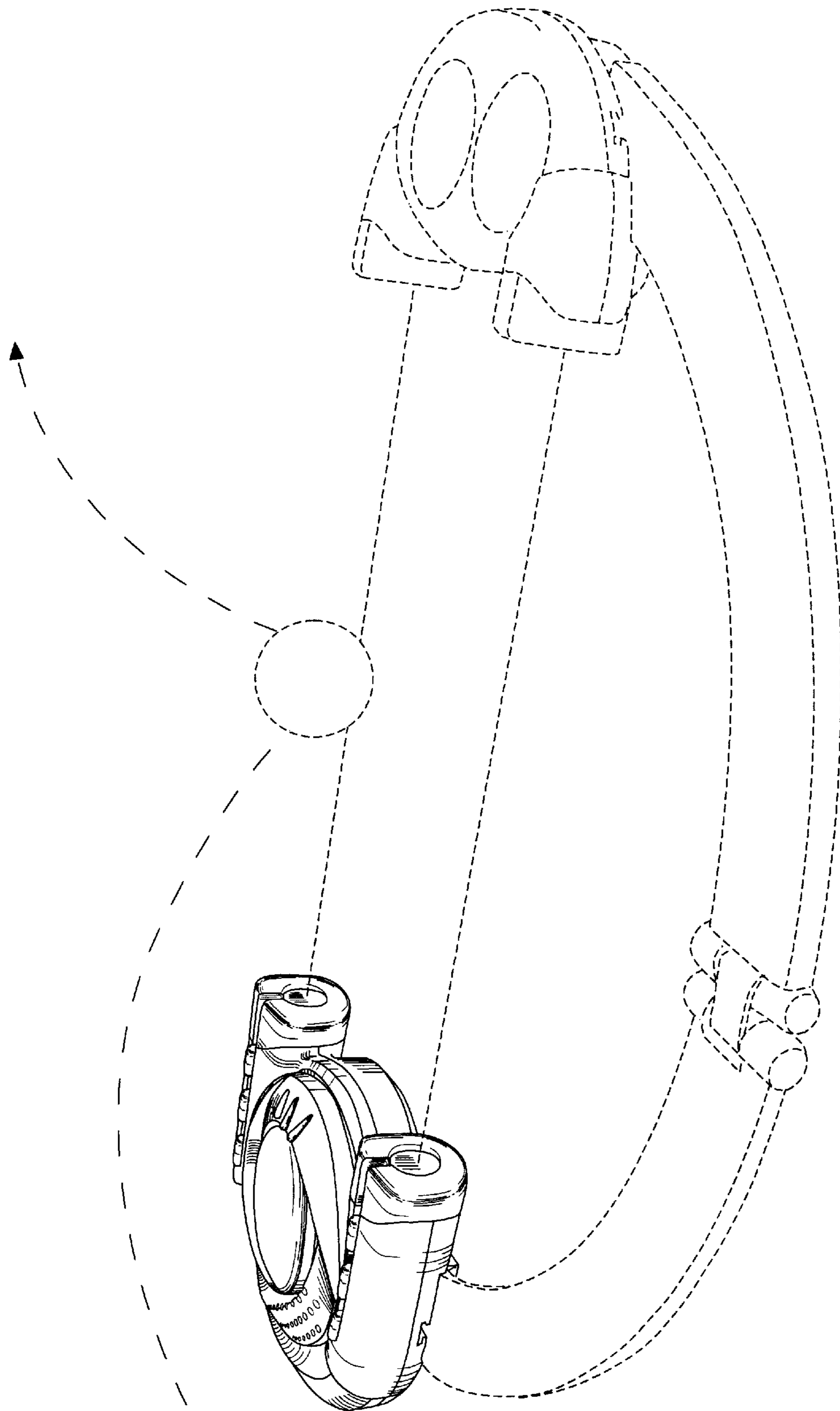


FIG. 1

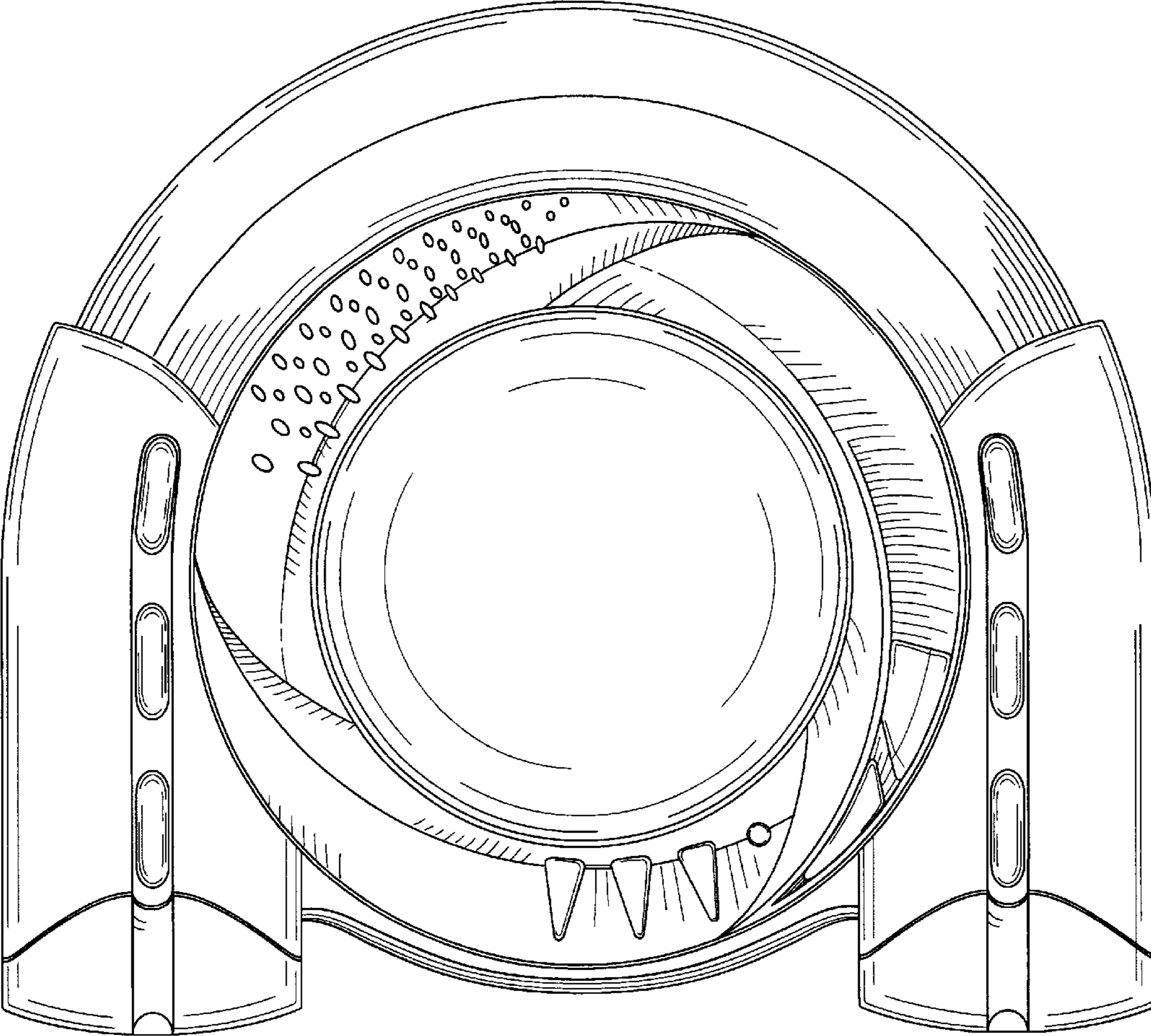


FIG. 2

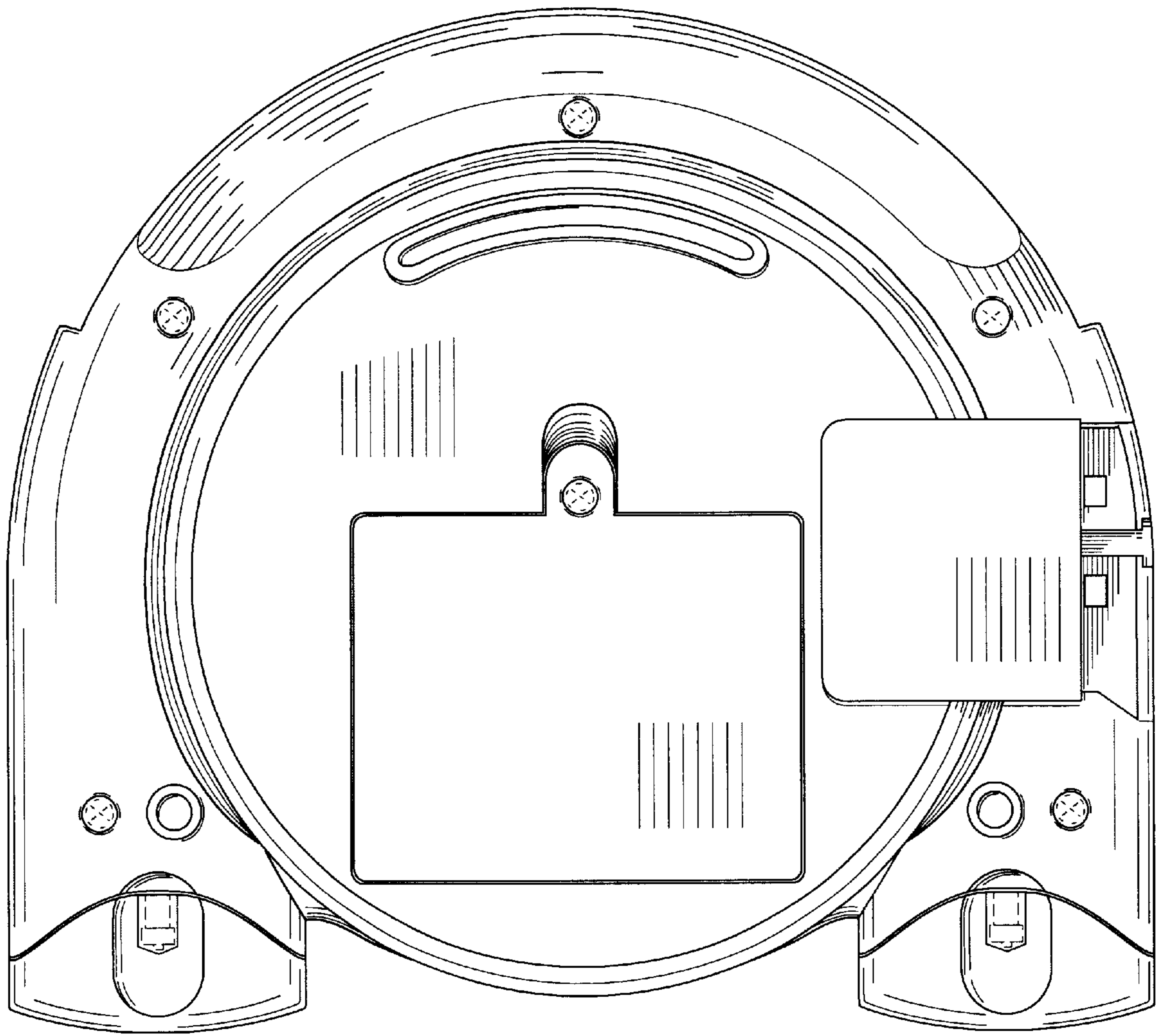


FIG. 3

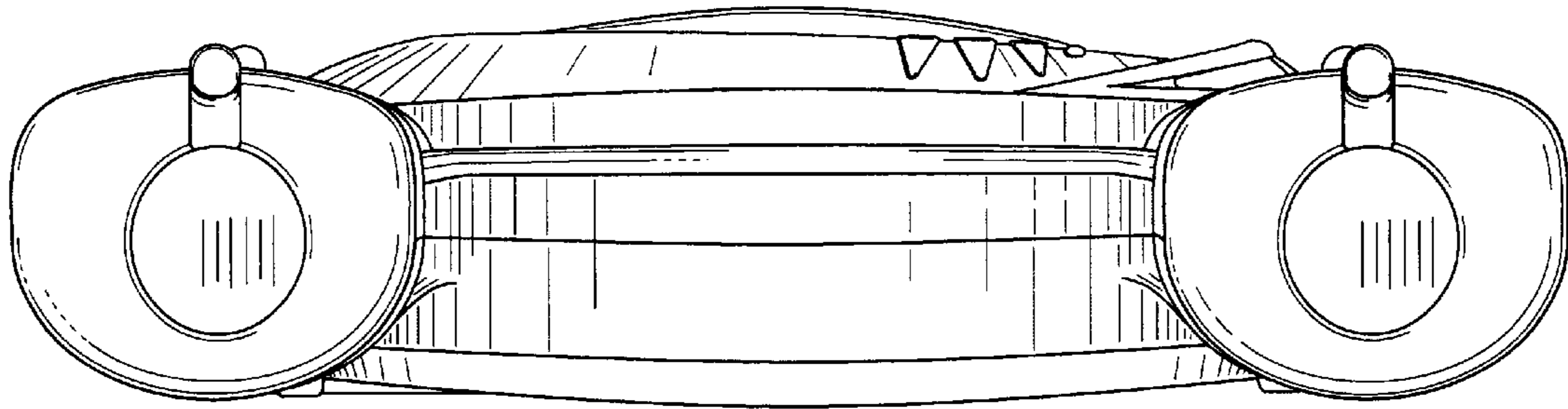


FIG. 4

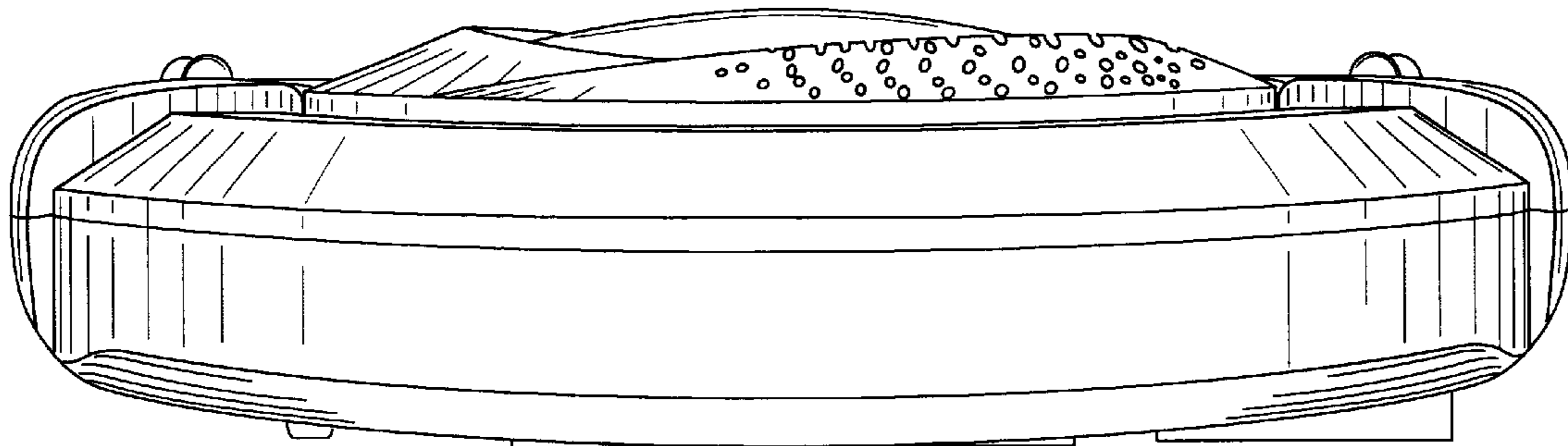


FIG. 5

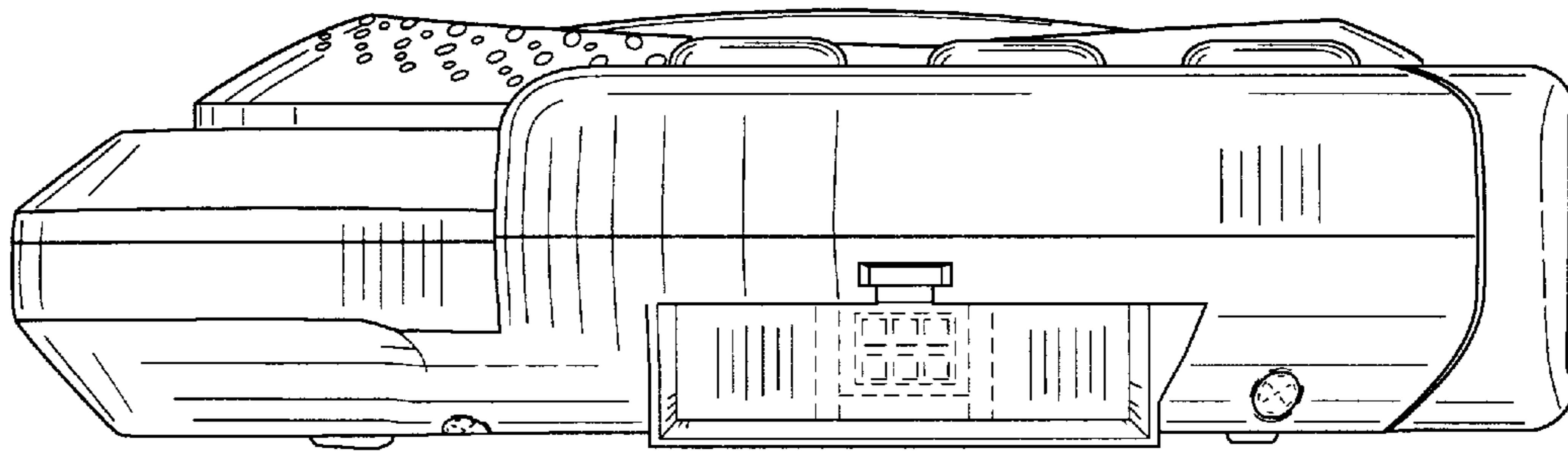


FIG. 6

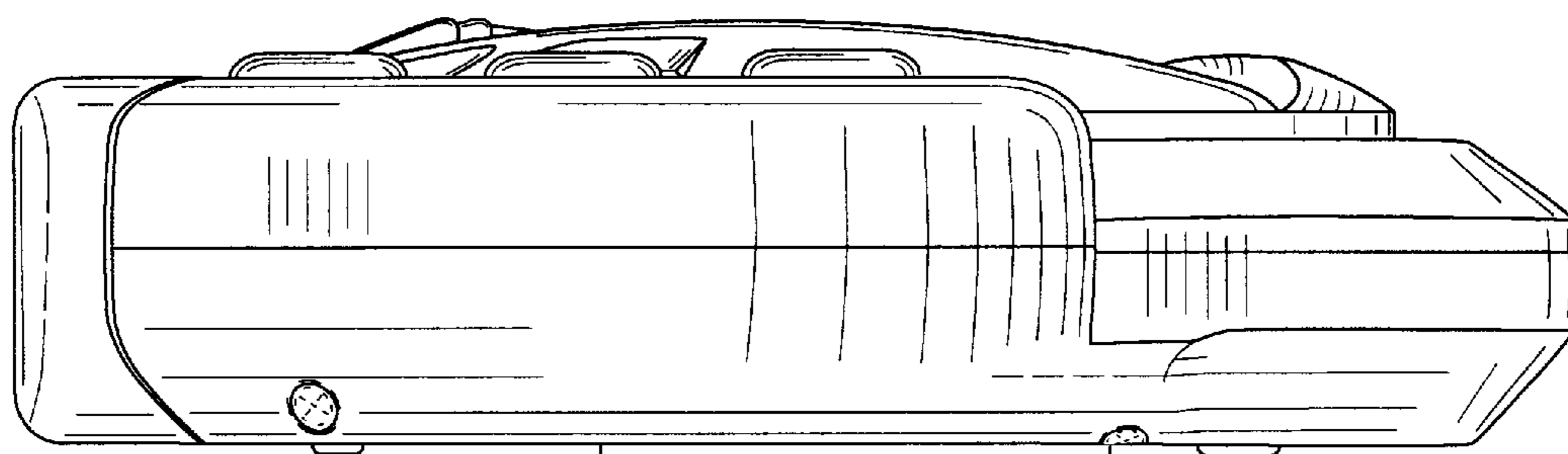


FIG. 7