

US00D524868S

(12) **United States Design Patent**  
**Tomita**

(10) **Patent No.:** **US D524,868 S**  
(45) **Date of Patent:** **\*\* Jul. 11, 2006**

(54) **VENDING MACHINE**

(75) Inventor: **Seiichirou Tomita**, Isesaki (JP)

(73) Assignee: **Sanden Corporation**, Gunma (JP)

(\*\*) Term: **14 Years**

(21) Appl. No.: **29/223,239**

(22) Filed: **Feb. 14, 2005**

(30) **Foreign Application Priority Data**

Sep. 3, 2004 (JP) ..... 2004-030170

(51) **LOC (8) Cl.** ..... **20-01**

(52) **U.S. Cl.** ..... **D20/8**

(58) **Field of Classification Search** ..... D20/1,  
D20/2, 3, 4, 5, 6, 7, 8, 9, 99; D7/301, 304,  
D7/305, 307, 308, 312, 313, 398; D23/284;  
194/239, 320, 342, 350, 351, 352, 906; 221/92,  
221/96, 104, 151, 155, 191, 194; 239/28,  
239/29; 700/232

See application file for complete search history.

(56) **References Cited**

**U.S. PATENT DOCUMENTS**

5,255,968 A \* 10/1993 Craven ..... 312/234  
D400,927 S \* 11/1998 Waffensmith et al. .... D20/8  
D440,254 S \* 4/2001 Moore ..... D20/1

D481,418 S \* 10/2003 Meldrum et al. .... D20/8

\* cited by examiner

*Primary Examiner*—Robert M. Spear

(74) *Attorney, Agent, or Firm*—Baker Botts L.L.P.

(57) **CLAIM**

The ornamental design for a vending machine, as shown and described.

**DESCRIPTION**

FIG. 1 is a front view of a vending machine, according to the design.

FIG. 2 is a rear view of the vending machine, as shown in FIG. 1.

FIG. 3 is a top view of the vending machine, as shown in FIG. 1.

FIG. 4 is a bottom view of the vending machine, as shown in FIG. 1.

FIG. 5 is a left side view of the vending machine, as shown in FIG. 1.

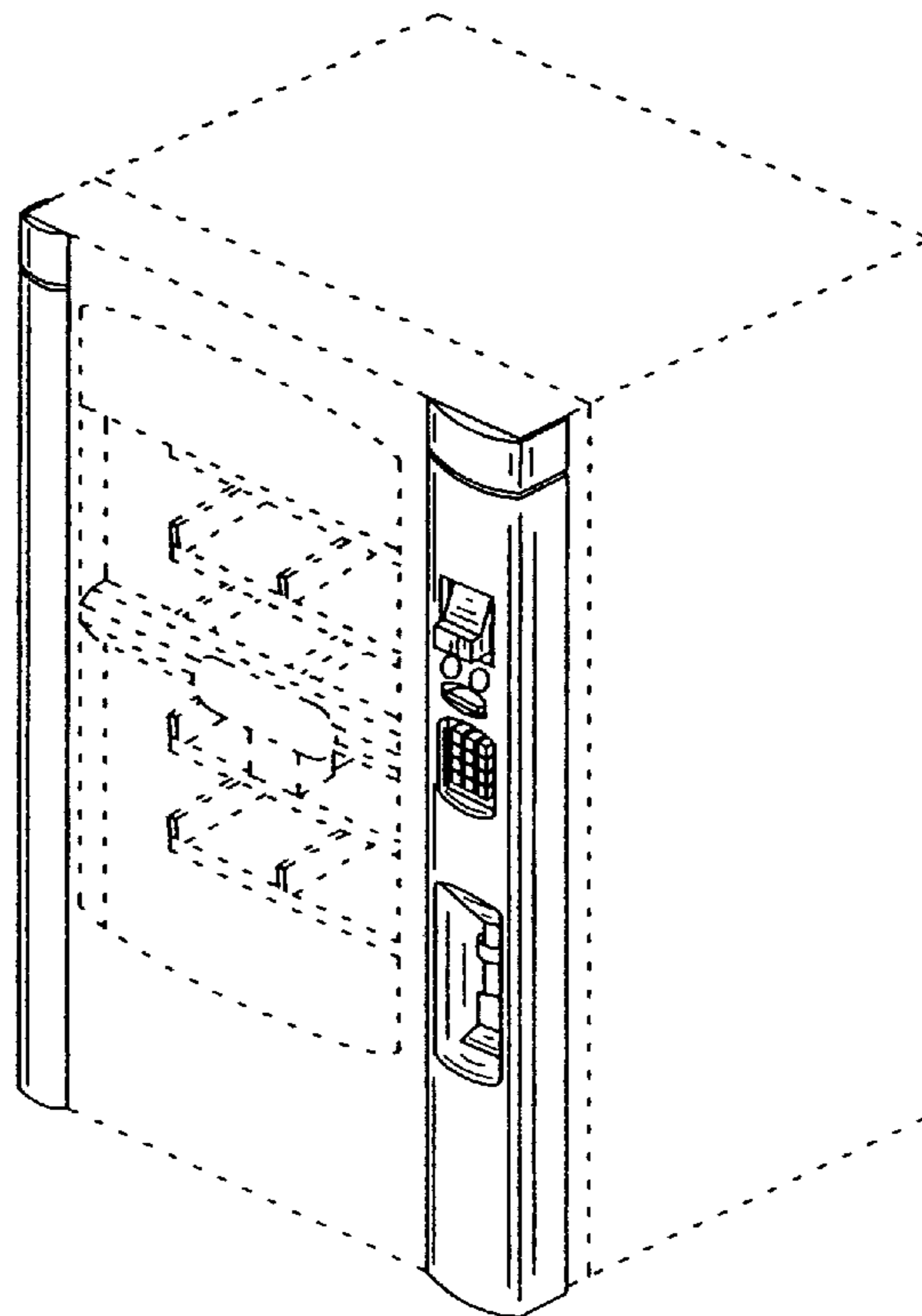
FIG. 6 is a right side view of the vending machine, as shown in FIG. 1.

FIG. 7 is a cross-sectional view of the vending machine along line 7—7 of FIG. 1, showing the shape of the design; and,

FIG. 8 is a perspective view of the vending machine of FIG. 1.

The broken lines in the drawings represent unclaimed environmental subject matter.

**1 Claim, 4 Drawing Sheets**



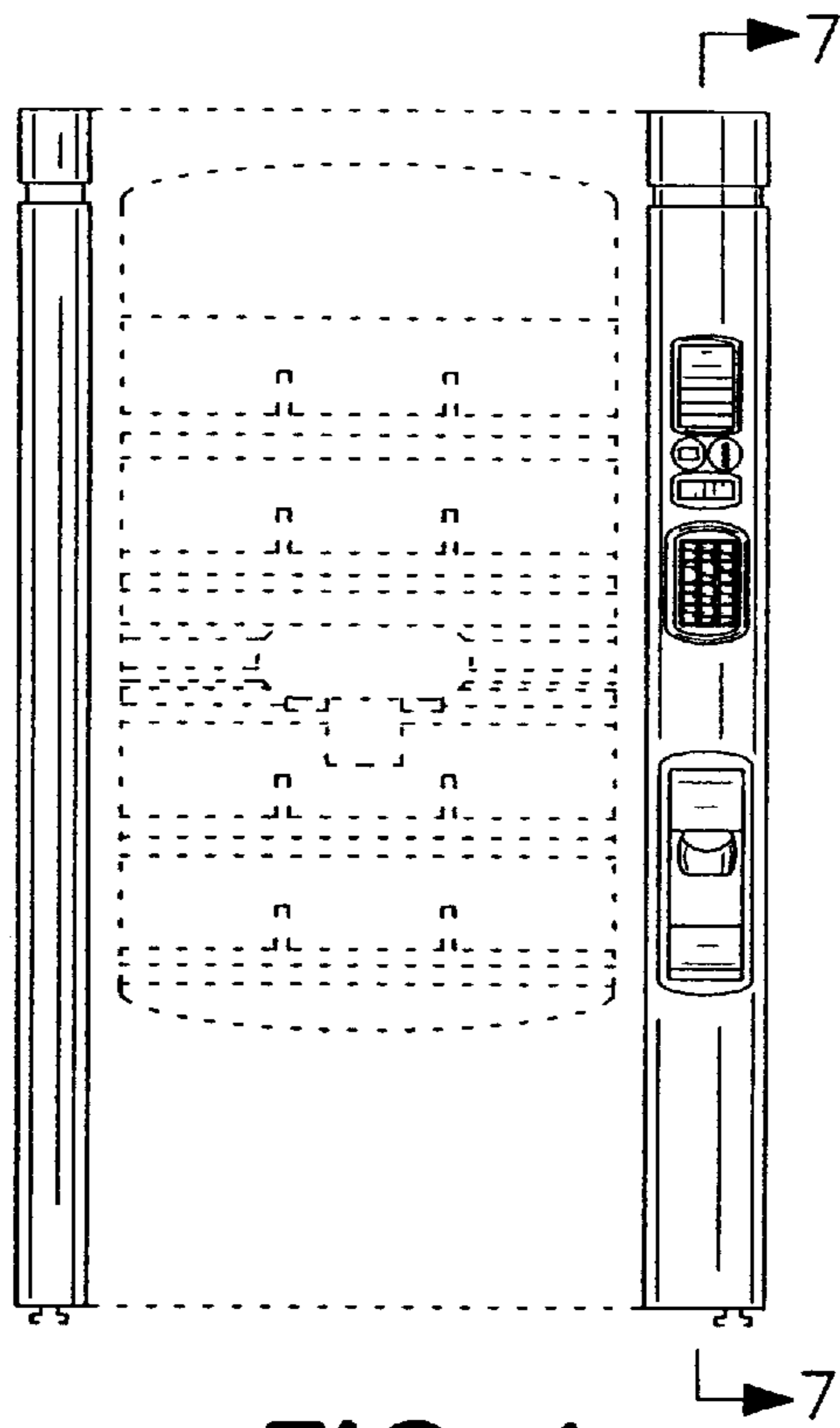


FIG. 1

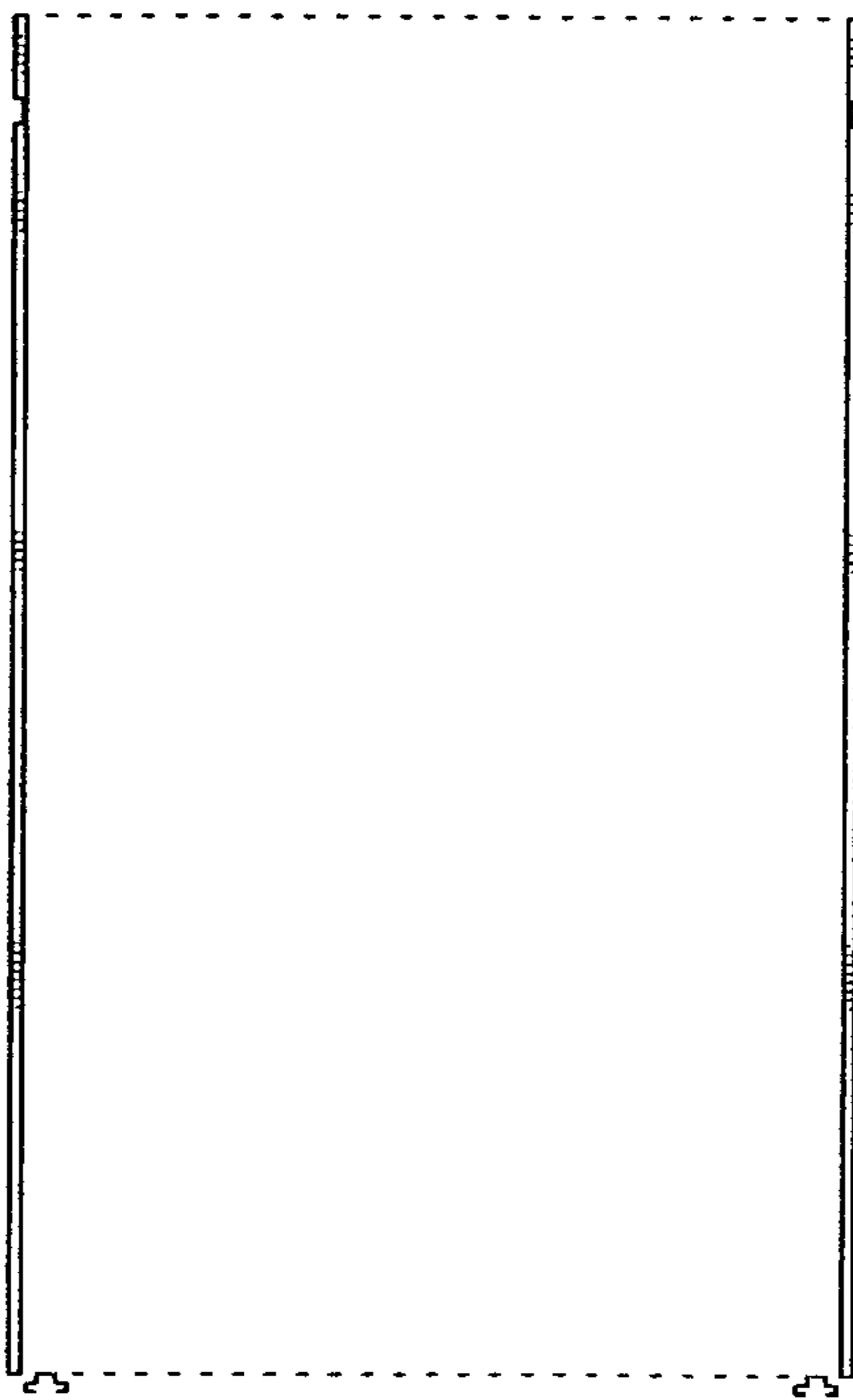
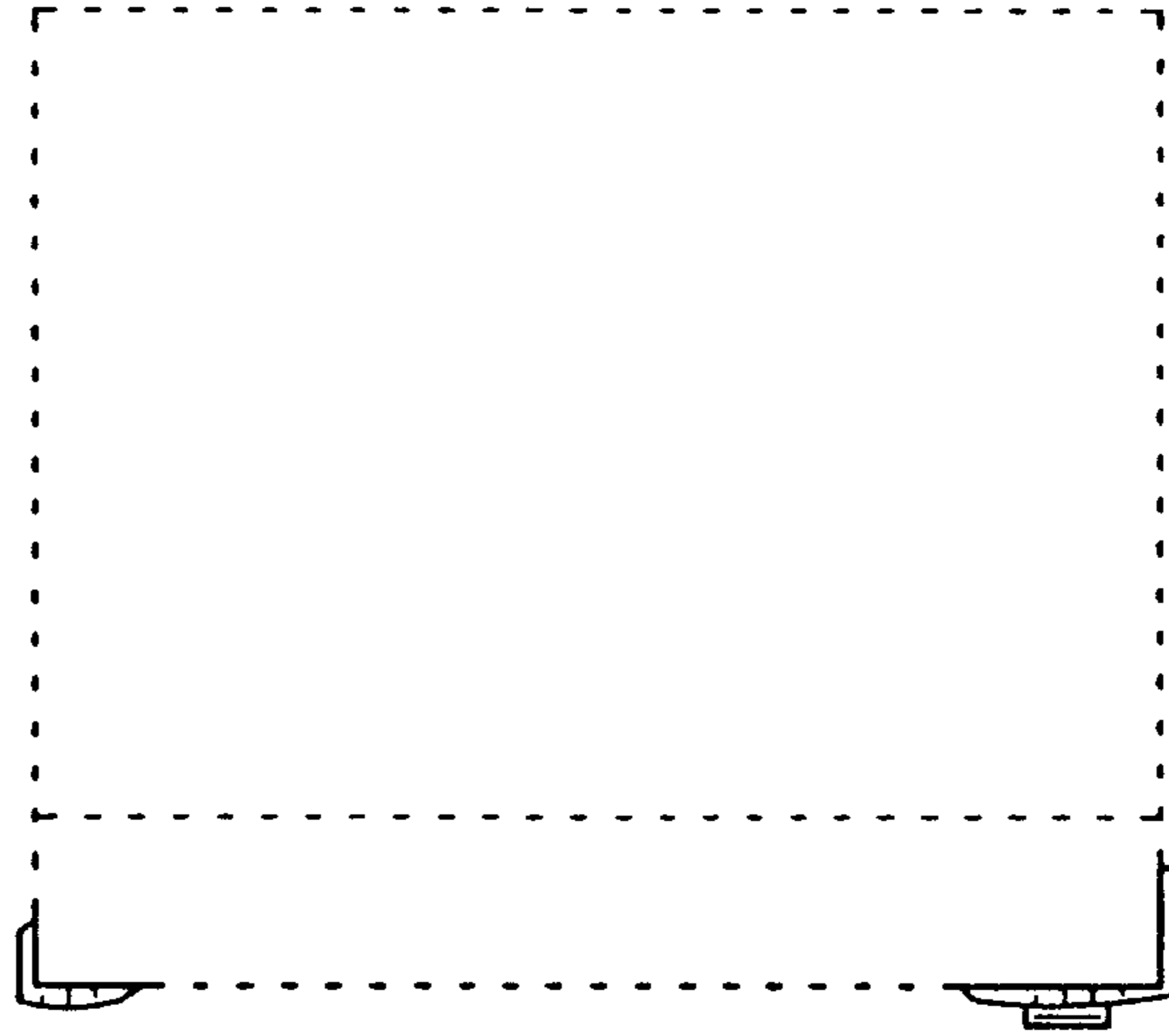
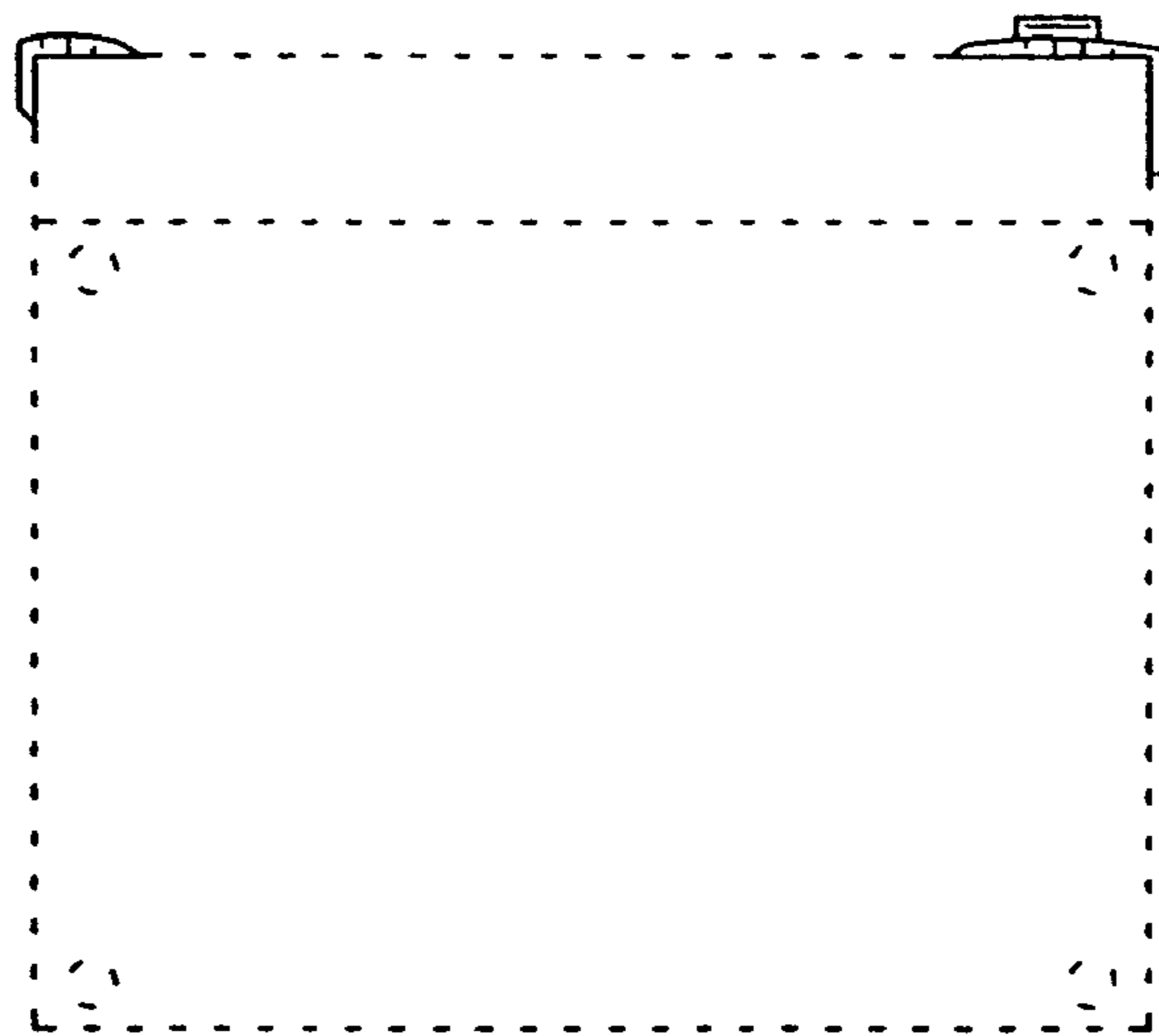


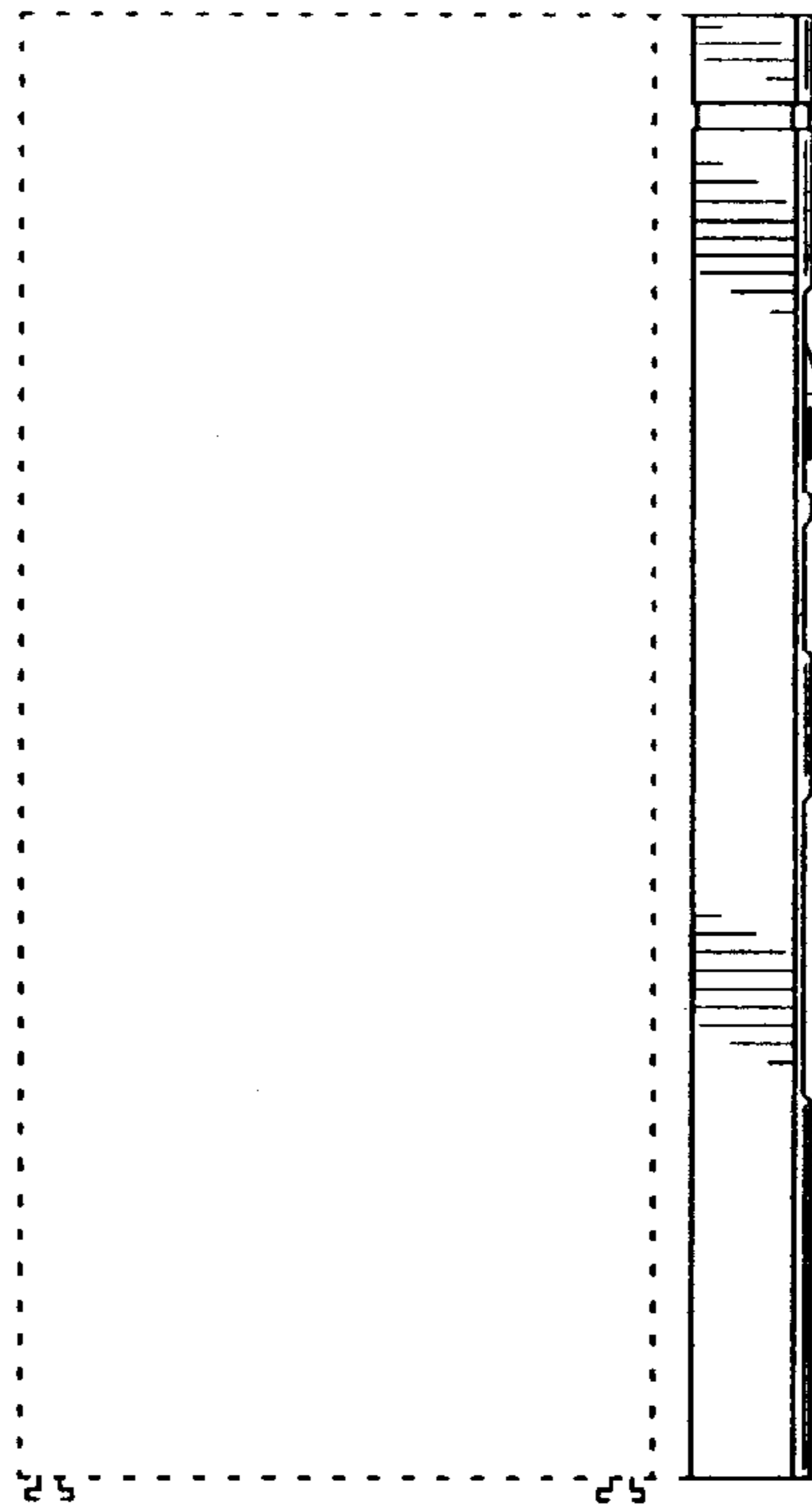
FIG. 2



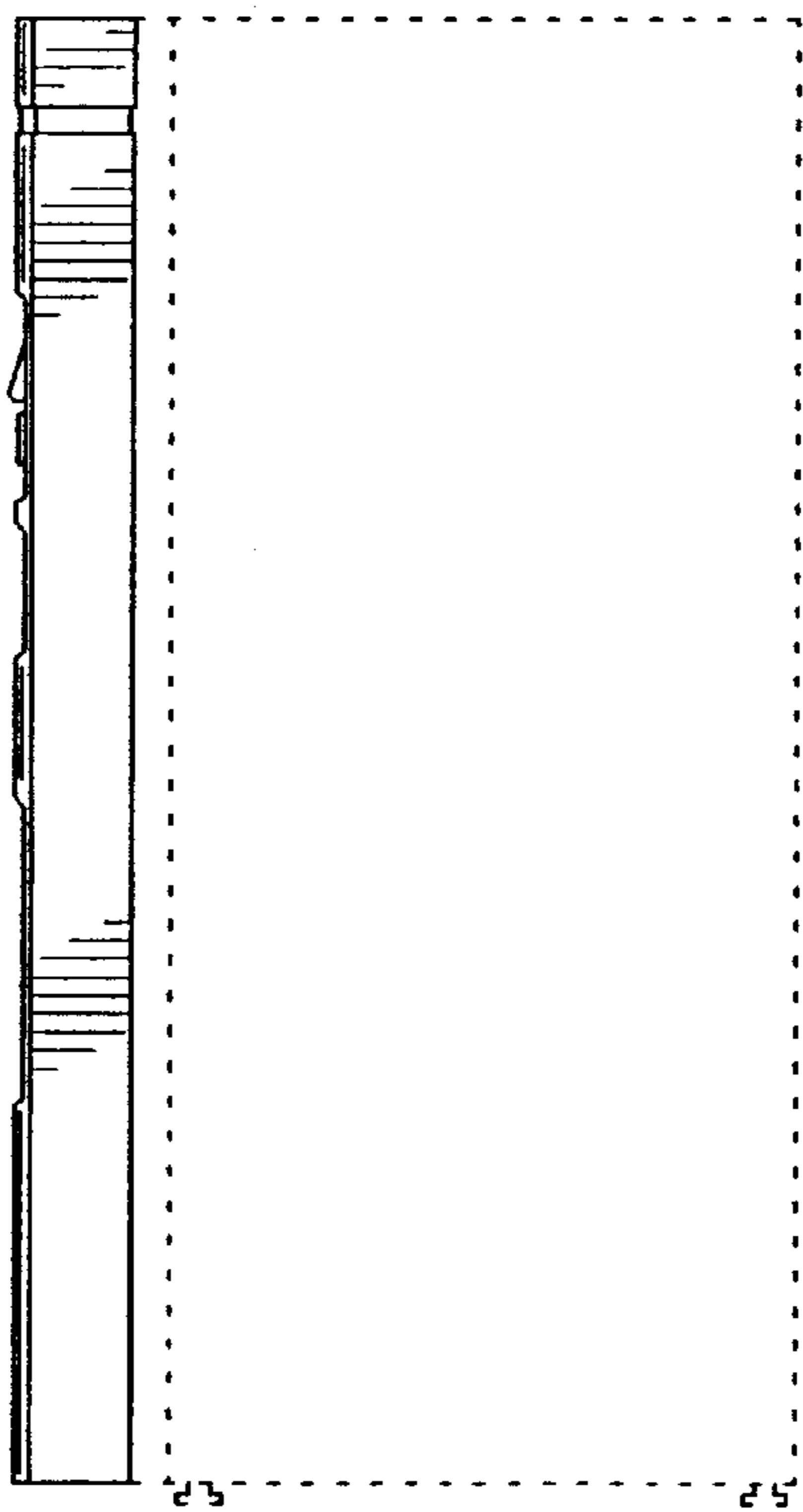
**FIG. 3**



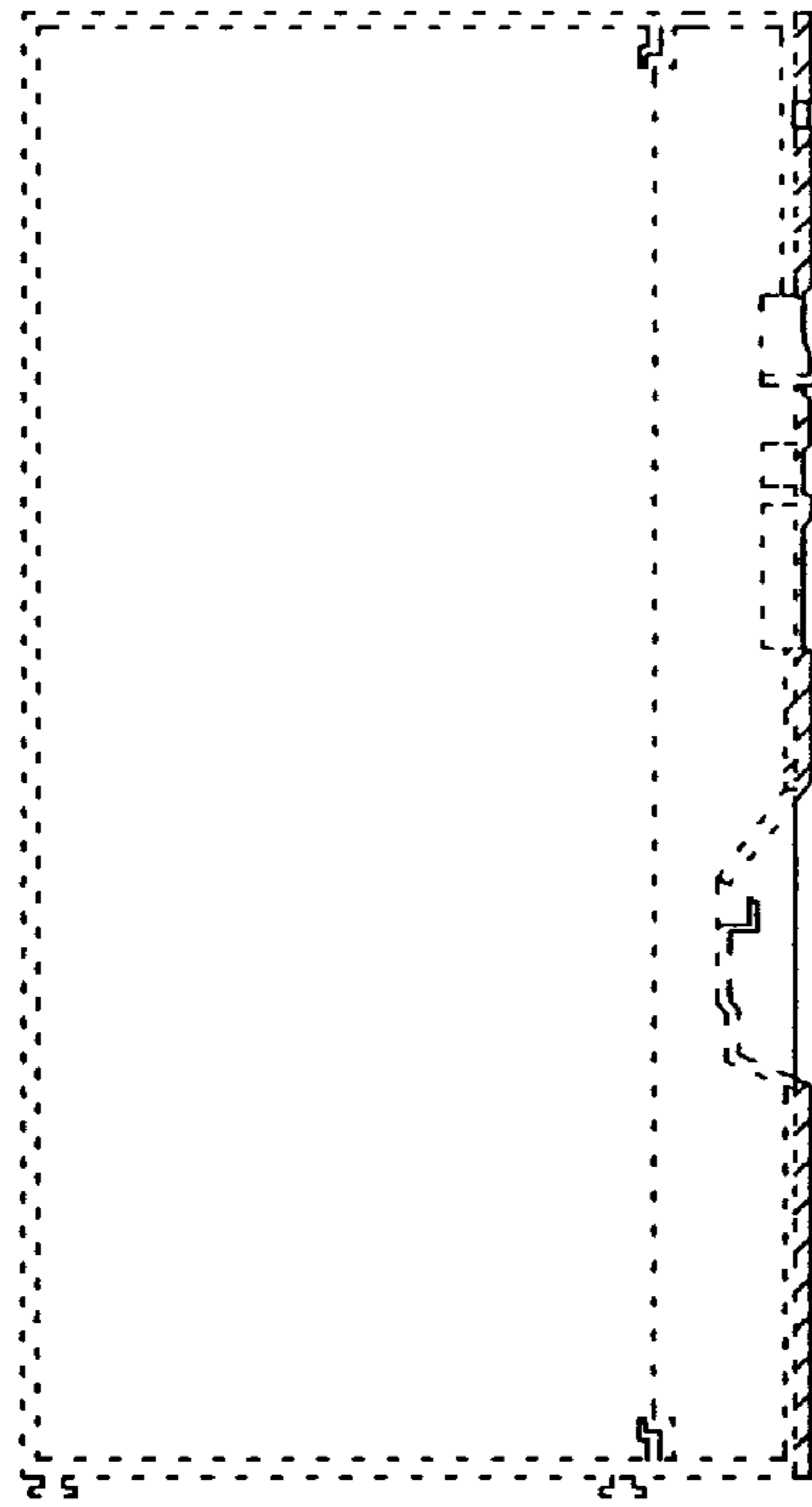
**FIG. 4**



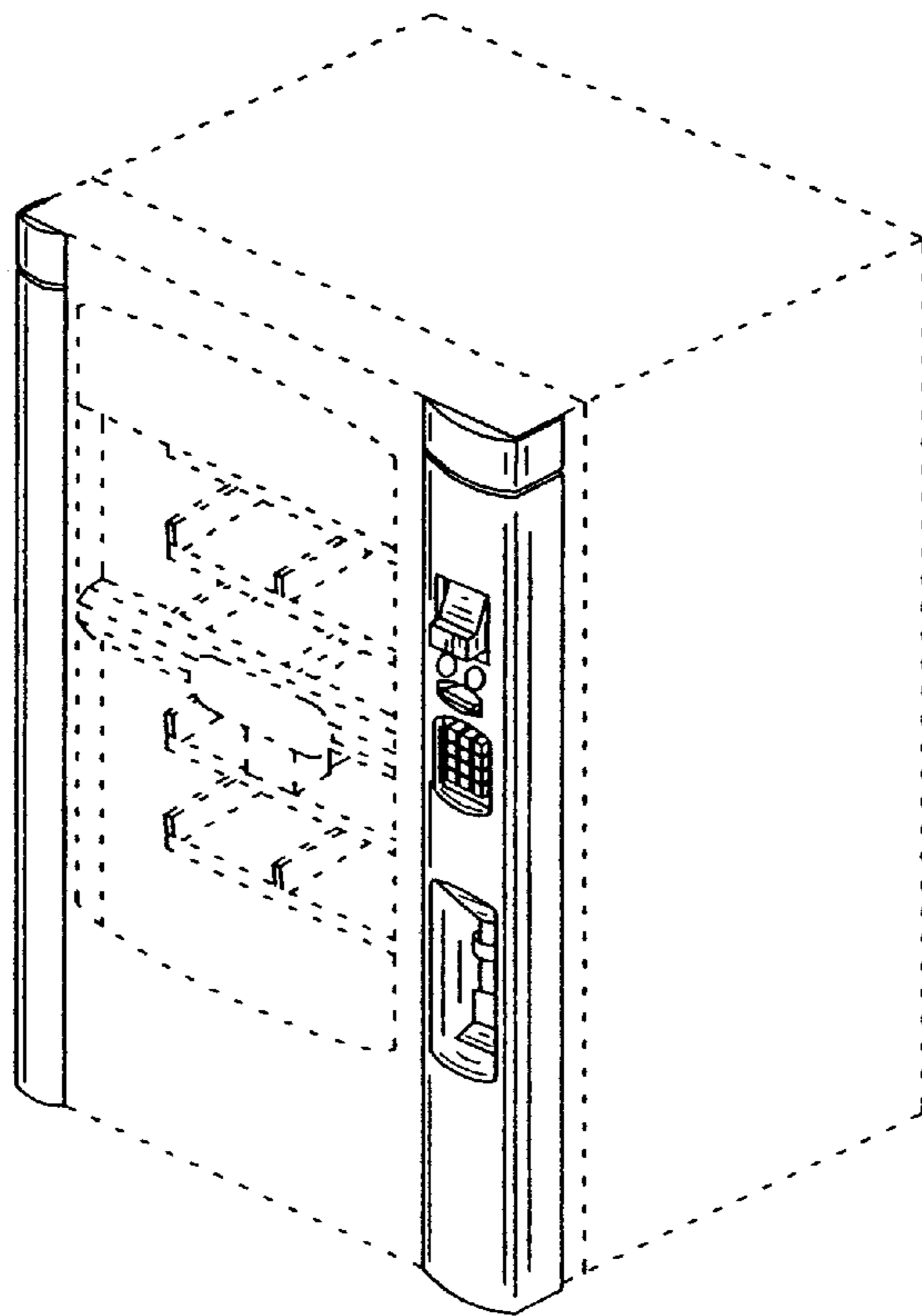
**FIG. 5**



**FIG. 6**



**FIG. 7**



**FIG. 8**