

US00D524867S

(12) **United States Design Patent**
Atuta

(10) **Patent No.:** **US D524,867 S**

(45) **Date of Patent:** **** Jul. 11, 2006**

(54) **VENDING MACHINE**

(75) **Inventor:** **Junichi Atuta, Tateishi (JP)**

(73) **Assignee:** **Yujin Company, Ltd., Tokyo (JP)**

(**) **Term:** **14 Years**

(21) **Appl. No.:** **29/238,424**

(22) **Filed:** **Sep. 16, 2005**

(30) **Foreign Application Priority Data**

Apr. 8, 2005 (JP) 2005-010582

(51) **LOC (8) Cl.** **20-01**

(52) **U.S. Cl.** **D20/7**

(58) **Field of Classification Search** D20/1,
D20/2, 3, 4, 5, 6, 7, 8, 9, 99; D7/301, 304,
D7/305, 307, 308, 312, 313, 398; D23/284;
194/239, 320, 342, 350, 351, 352, 906; 221/92,
221/96, 104, 151, 155, 191, 194; 239/28,
239/29; 700/232

See application file for complete search history.

(56) **References Cited**

U.S. PATENT DOCUMENTS

D421,629 S * 3/2000 Sakata D20/4

D445,458 S * 7/2001 Tomioka D20/1
D483,072 S * 12/2003 Atsuta D20/4
D499,145 S * 11/2004 Yao D20/7
2001/0010315 A1 * 8/2001 Tomioka 221/155

* cited by examiner

Primary Examiner—Robert M. Spear

(74) *Attorney, Agent, or Firm*—Oliff & Berridge, PLC

(57) **CLAIM**

The ornamental design for vending machine, as shown and described.

DESCRIPTION

FIG. 1 is a front view of a vending machine;
FIG. 2 is a rear view thereof;
FIG. 3 is a left-side view thereof;
FIG. 4 is a right-side view thereof;
FIG. 5 is a top view thereof;
FIG. 6 is a bottom view thereof;
FIG. 7 is a front perspective view thereof; and,
FIG. 8 is a rear perspective view thereof.

1 Claim, 8 Drawing Sheets

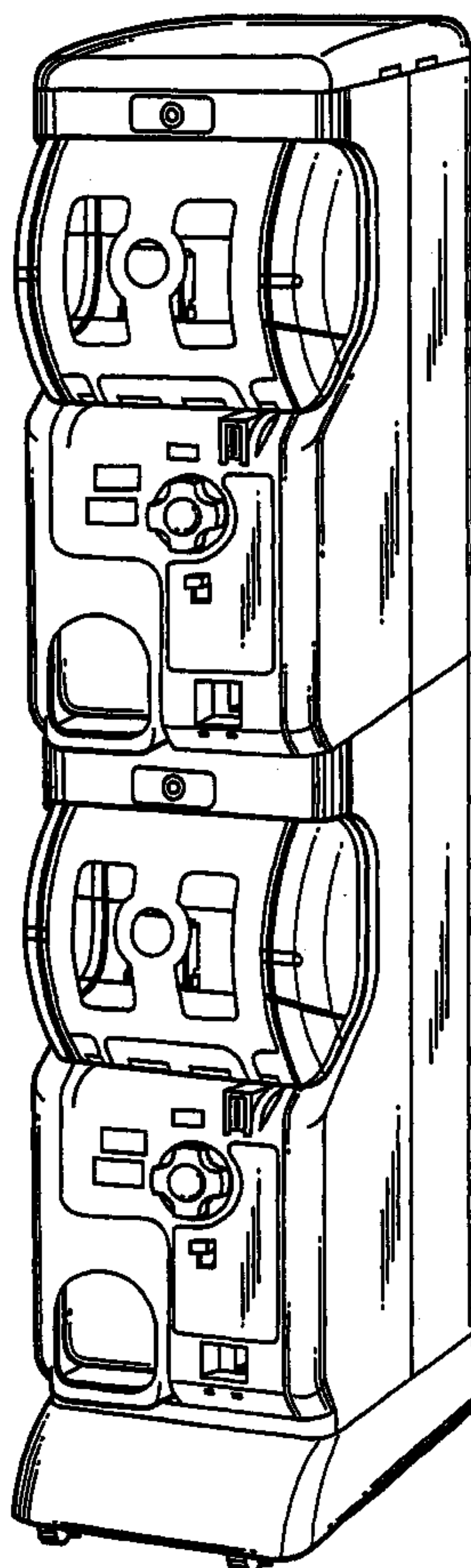


FIG. 1

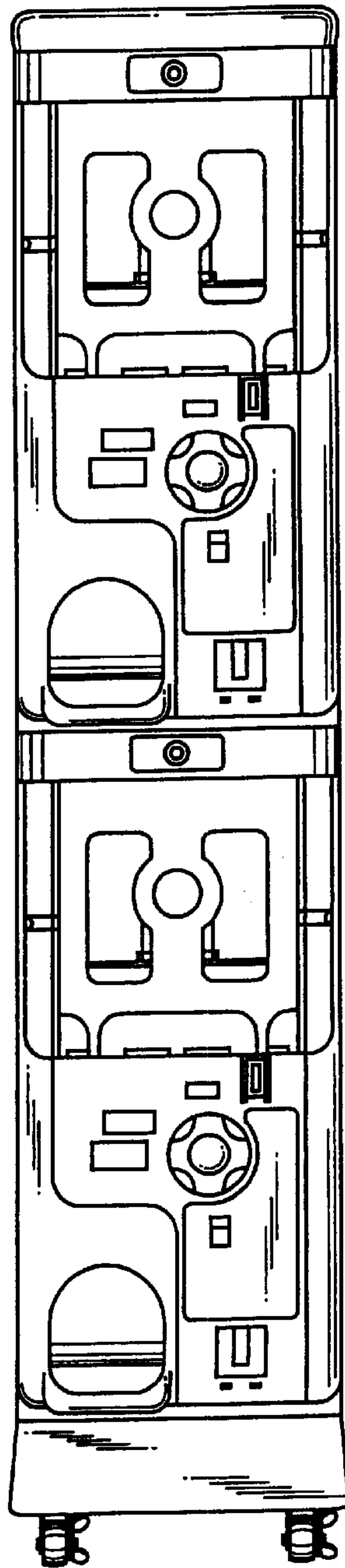


FIG. 2

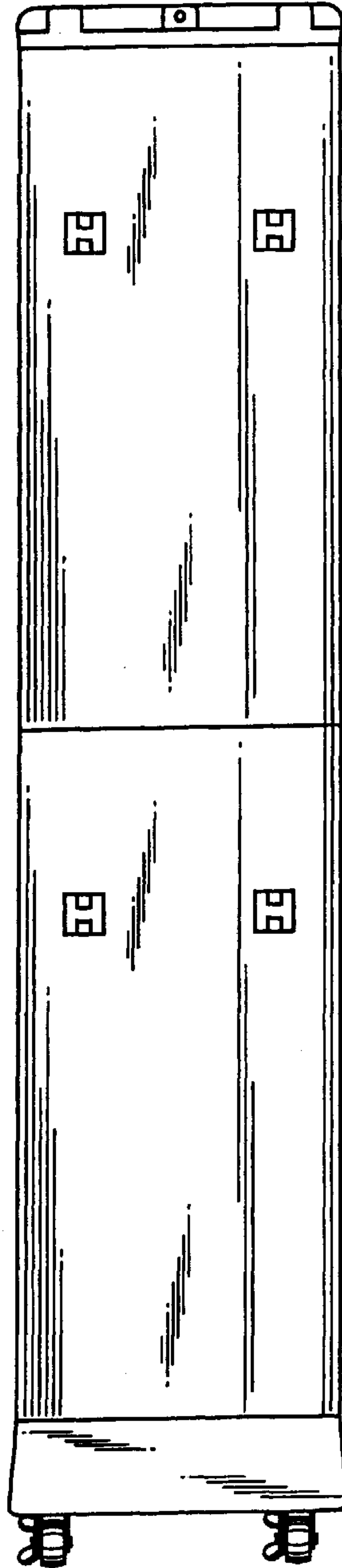


FIG. 3

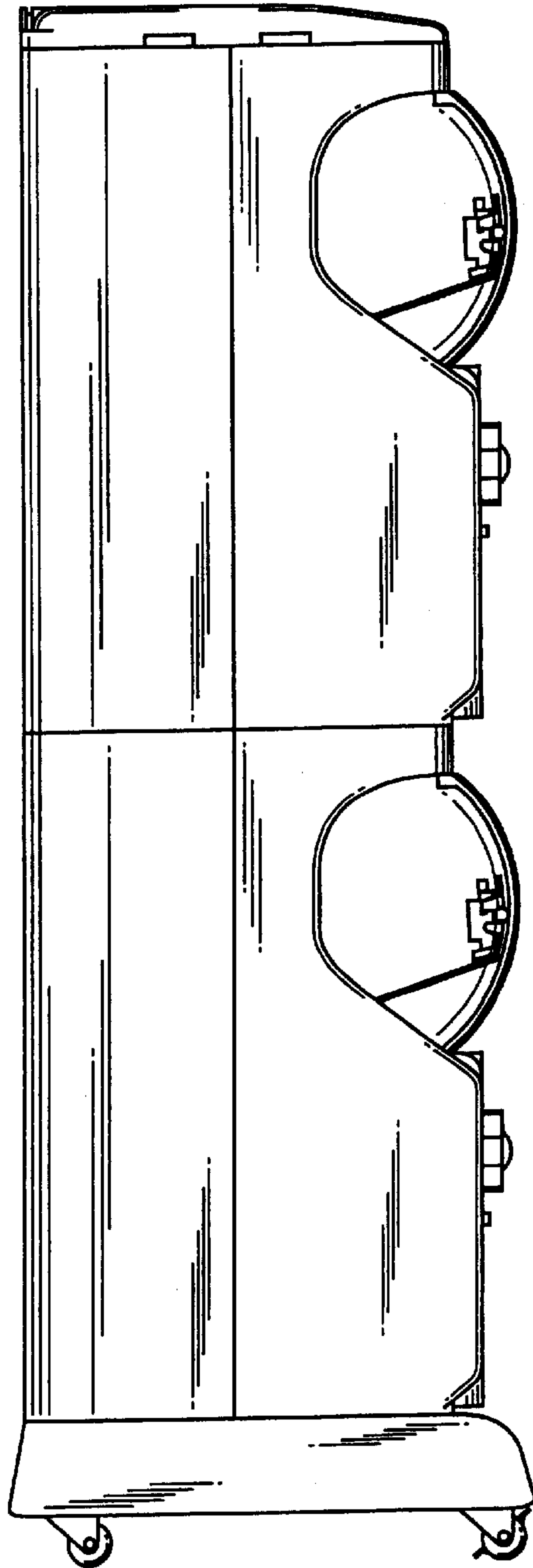


FIG. 4

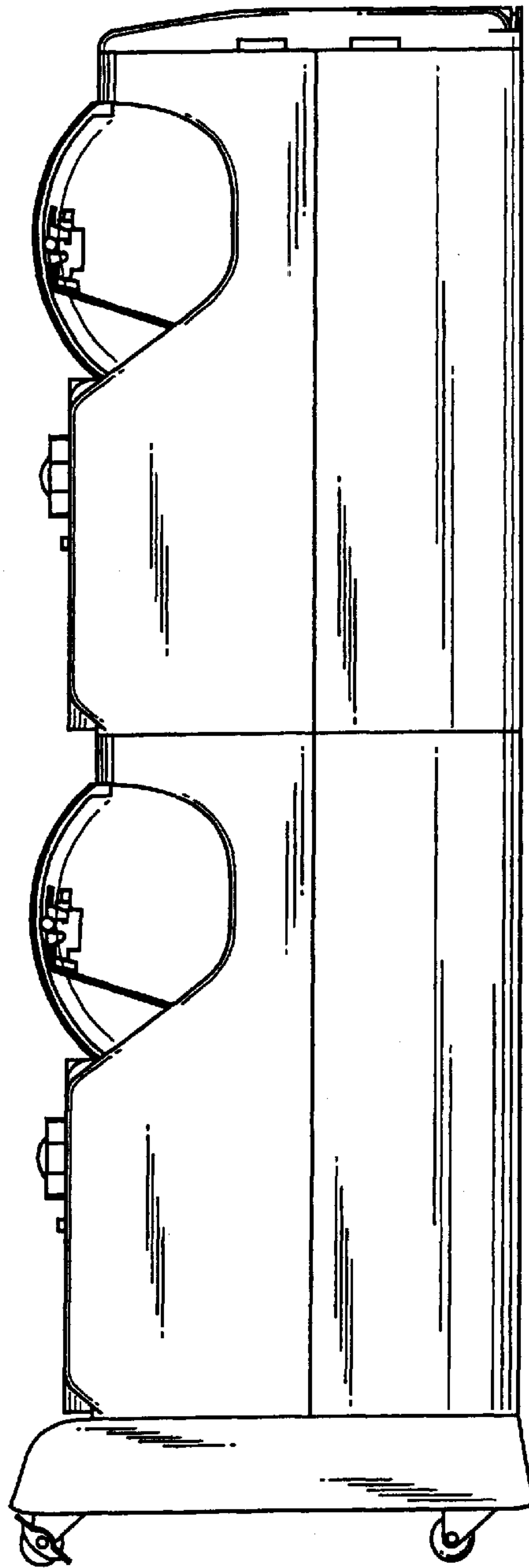


FIG. 5

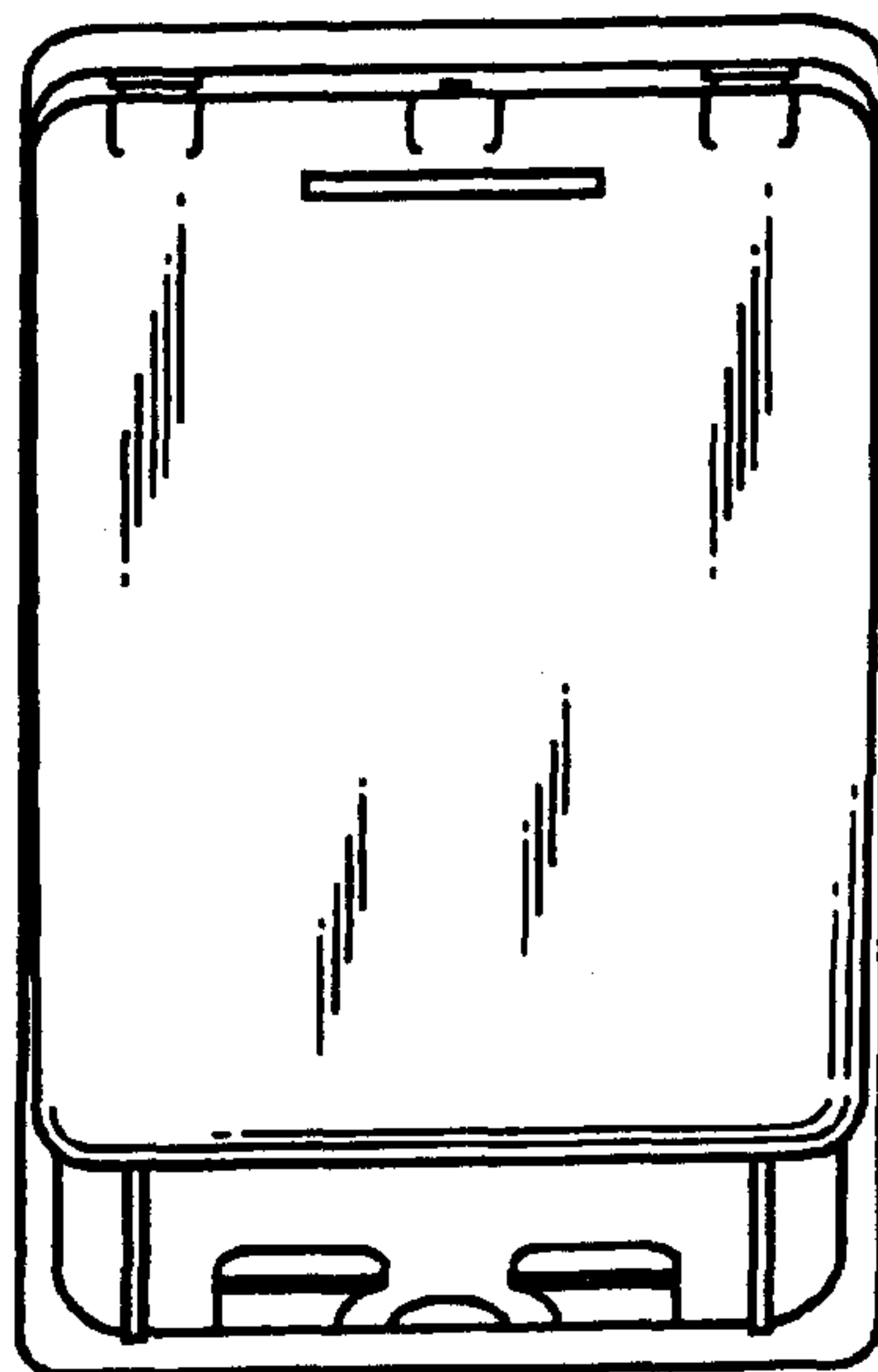


FIG. 6

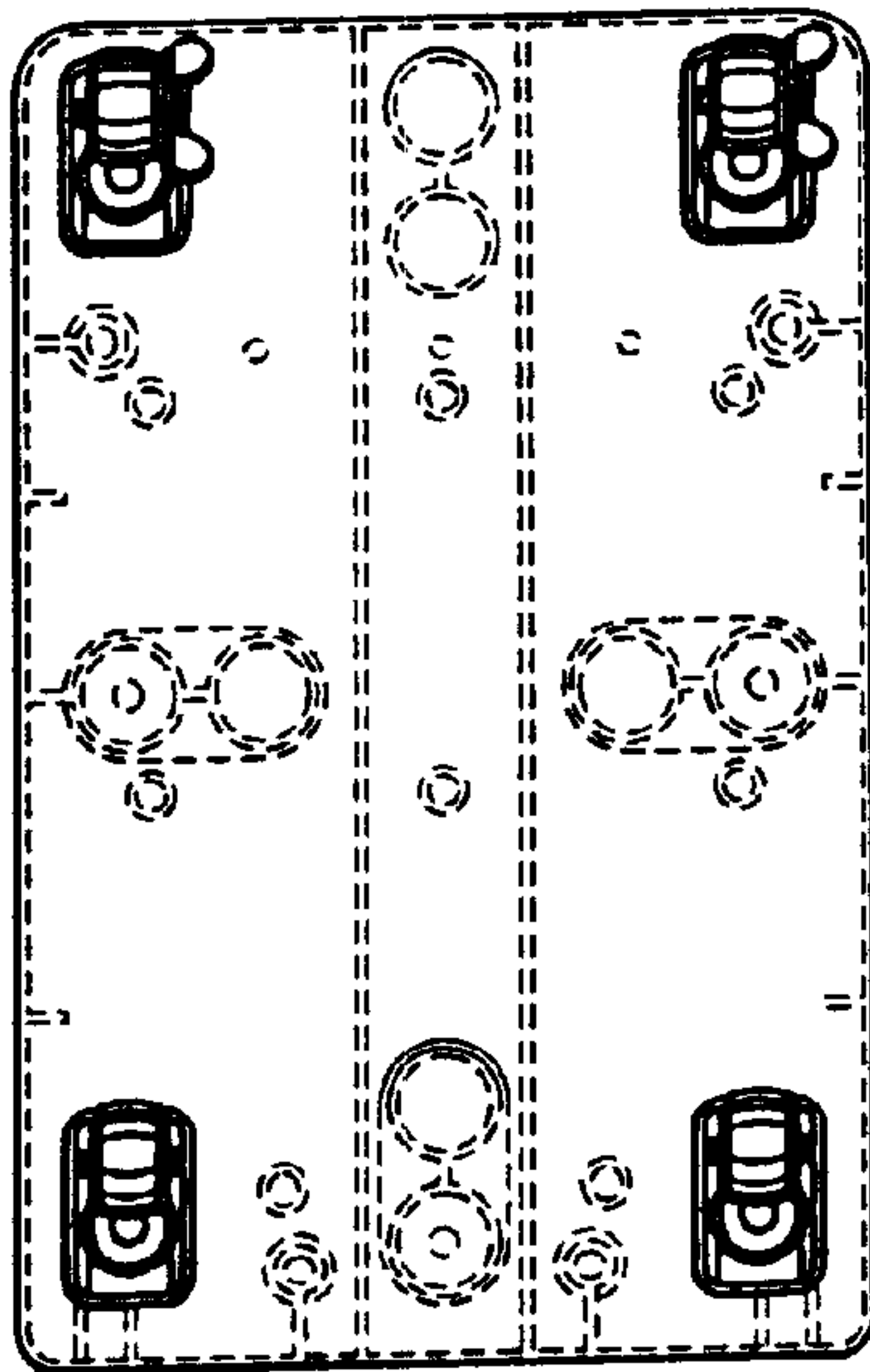


FIG. 7

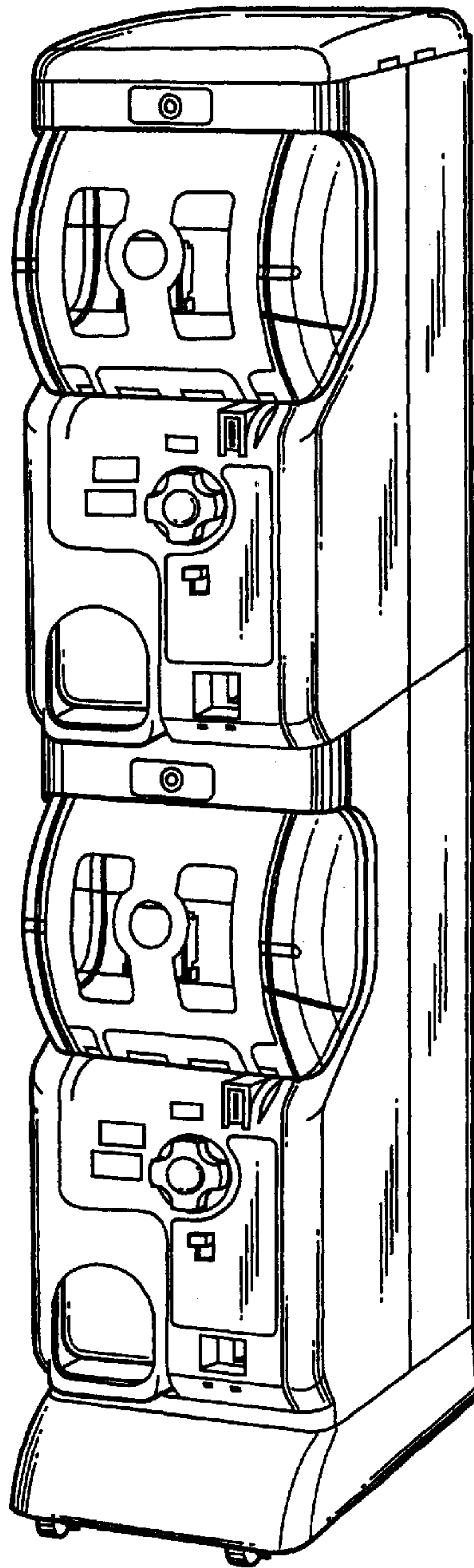


FIG. 8

