



US00D524865S

(12) **United States Design Patent**  
**Killinger et al.**

(10) **Patent No.:** **US D524,865 S**  
(45) **Date of Patent:** **\*\* Jul. 11, 2006**

(54) **ORGANIZER**

(75) Inventors: **Timothy D. Killinger**, Plainfield, IL (US); **Matthew G. Lerch**, Chicago, IL (US); **Aaron W. Smith**, Plainfield, IL (US); **Gilberto Cavada, Jr.**, Melrose Park, IL (US); **Melanie Lyn Conklin**, Chicago, IL (US)

(73) Assignee: **Rubbermaid Incorporated**, Fairlawn, OH (US)

(\*\*) Term: **14 Years**

(21) Appl. No.: **29/224,700**

(22) Filed: **Mar. 3, 2005**

(51) **LOC (8) Cl.** ..... **19-02**

(52) **U.S. Cl.** ..... **D19/78**

(58) **Field of Classification Search** ..... D6/467, D6/468, 476, 512, 553, 556, 569, 570, 571, D6/629; D19/65, 75, 77, 78, 81, 83, 84, 85, D19/86, 90, 92, 95; 206/214, 224, 371; 211/10, 211/11, 45, 50, 52, 55

See application file for complete search history.

(56) **References Cited**

**U.S. PATENT DOCUMENTS**

3,934,724 A	1/1976	Johnson	.....	206/507
4,102,453 A	7/1978	Carroll et al.	.....	206/507
4,238,032 A	12/1980	Thurman	.....	206/507
4,320,837 A	3/1982	Carroll et al.	.....	206/505

D323,190 S	*	1/1992	Evenson	.....	D19/90
D354,081 S	*	1/1995	Ancona et al.	.....	D19/78
D381,686 S	*	7/1997	Chiu	.....	D19/77
D477,848 S	*	7/2003	Chen	.....	D19/78
6,591,990 B1	*	7/2003	Lanman et al.	.....	211/10
D489,412 S	*	5/2004	Hsu	.....	D19/75

\* cited by examiner

*Primary Examiner*—Elizabeth A. Albert

(74) *Attorney, Agent, or Firm*—Marshall, Gerstein & Borun LLP

(57) **CLAIM**

The ornamental design for an “organizer,” as shown and described.

**DESCRIPTION**

FIG. 1 is a perspective view of an organizer showing our new design;

FIG. 2 is a top plan view of the organizer of FIG. 1;

FIG. 3 is a front elevational view of the organizer of FIG. 1;

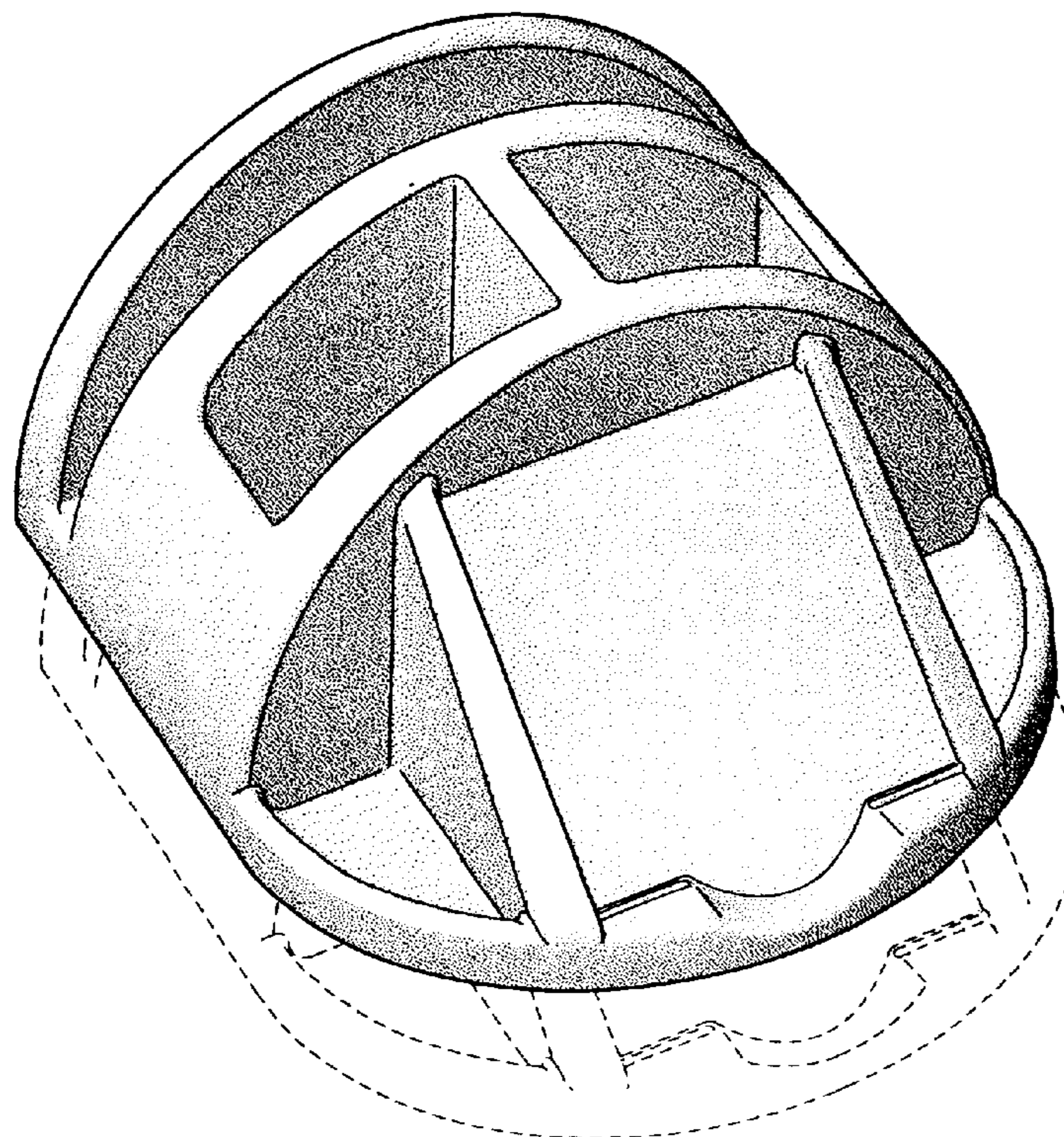
FIG. 4 is a left side elevational view of the organizer of FIG. 1, the right side elevational view being a mirror image thereof;

FIG. 5 is a bottom plan view of the organizer of FIG. 1;

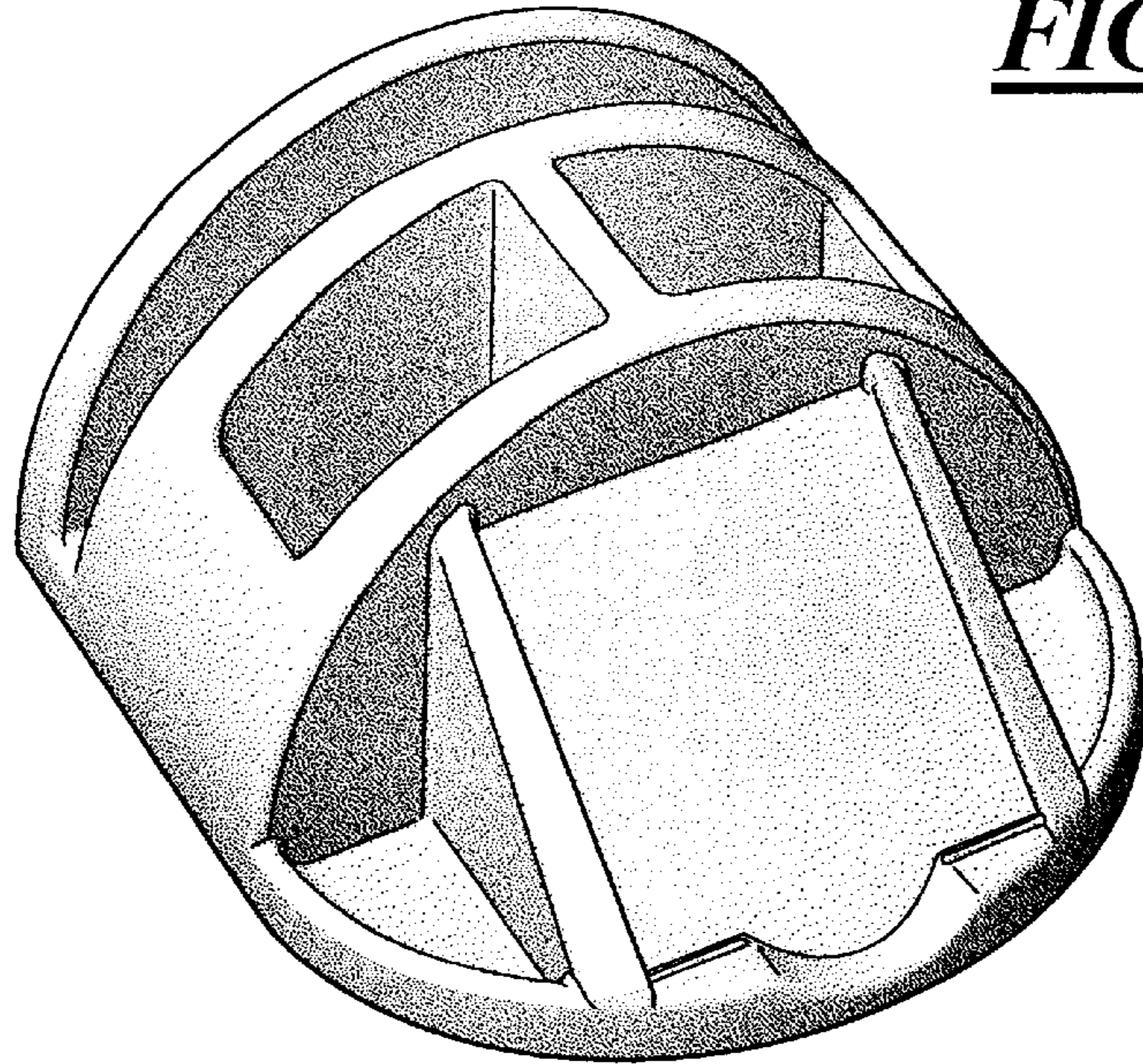
FIG. 6 is a rear elevational view of the organizer of FIG. 1; and,

FIG. 7 is another perspective view showing our new design. The dashed lines are for illustrative purposes only and form no part of the claimed design.

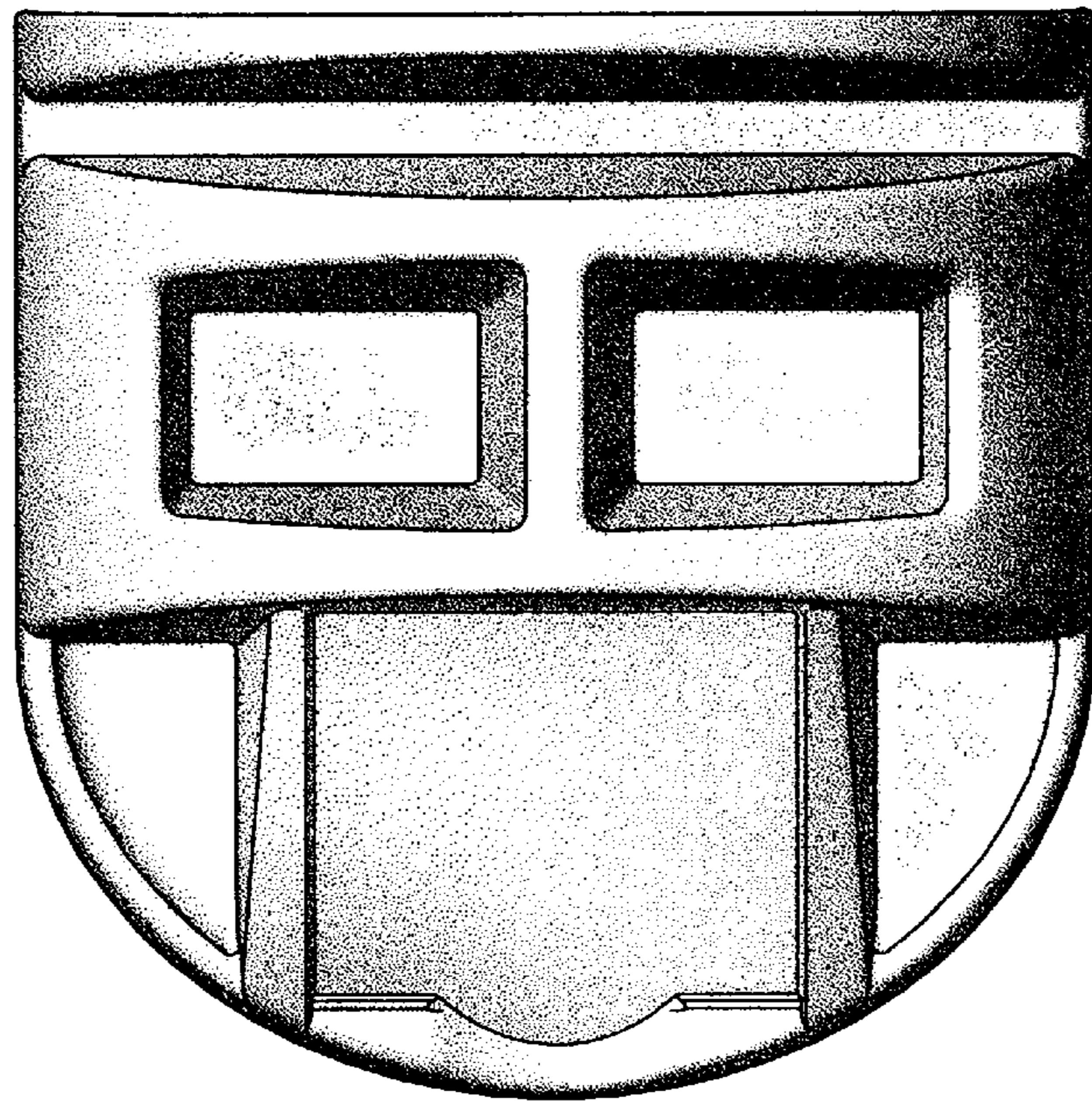
**1 Claim, 2 Drawing Sheets**



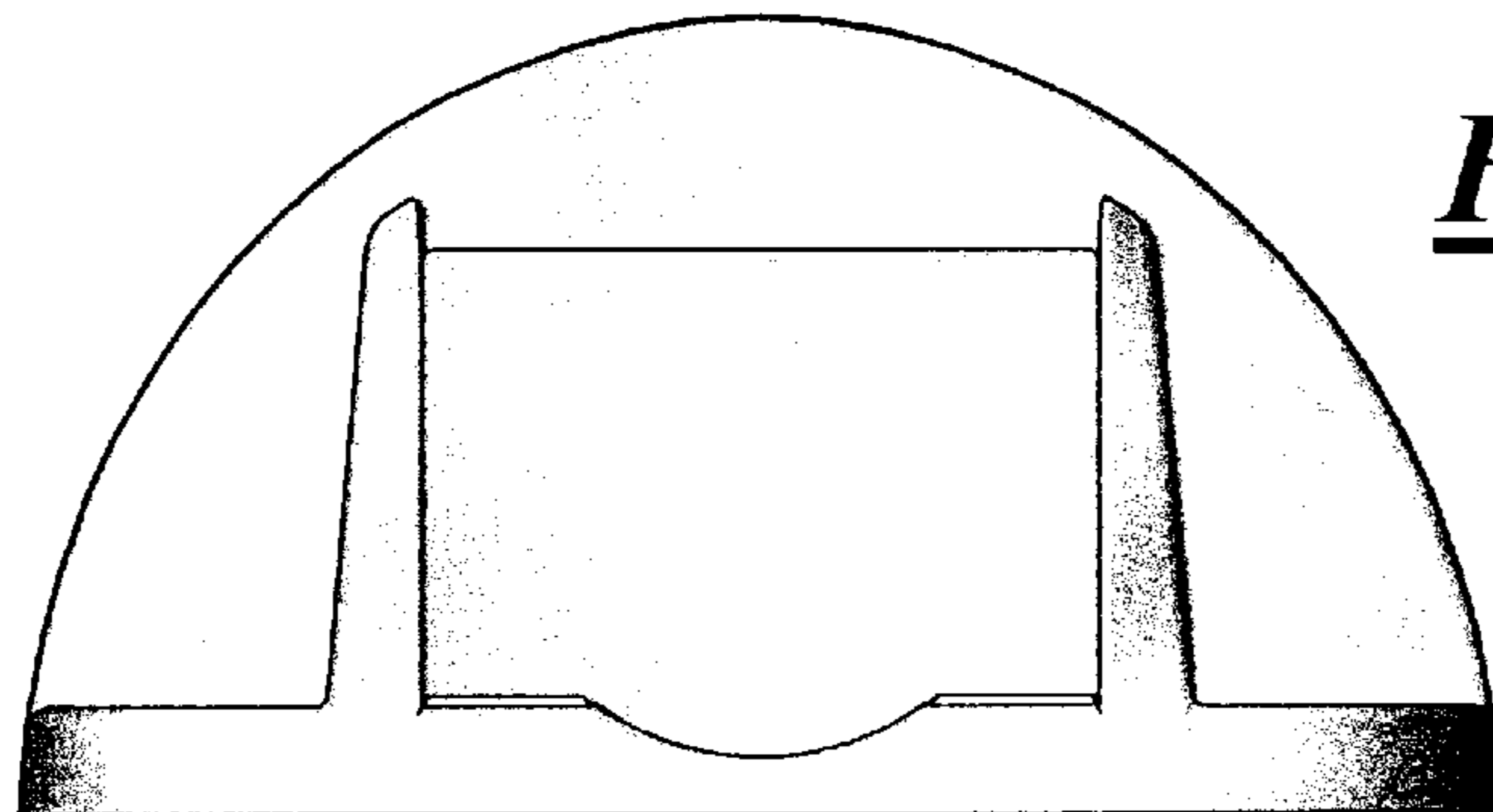
**FIG. 1**

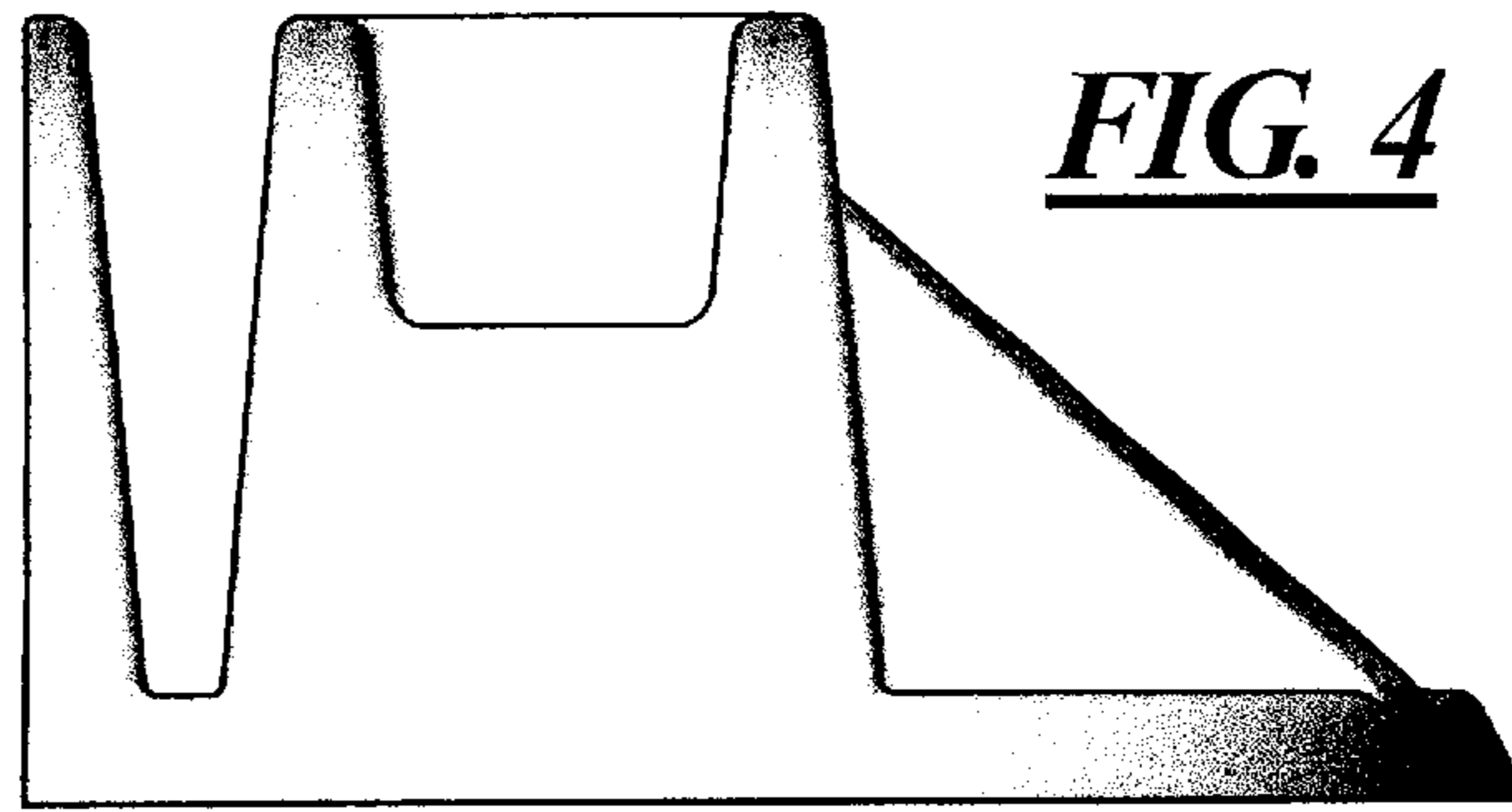


**FIG. 2**



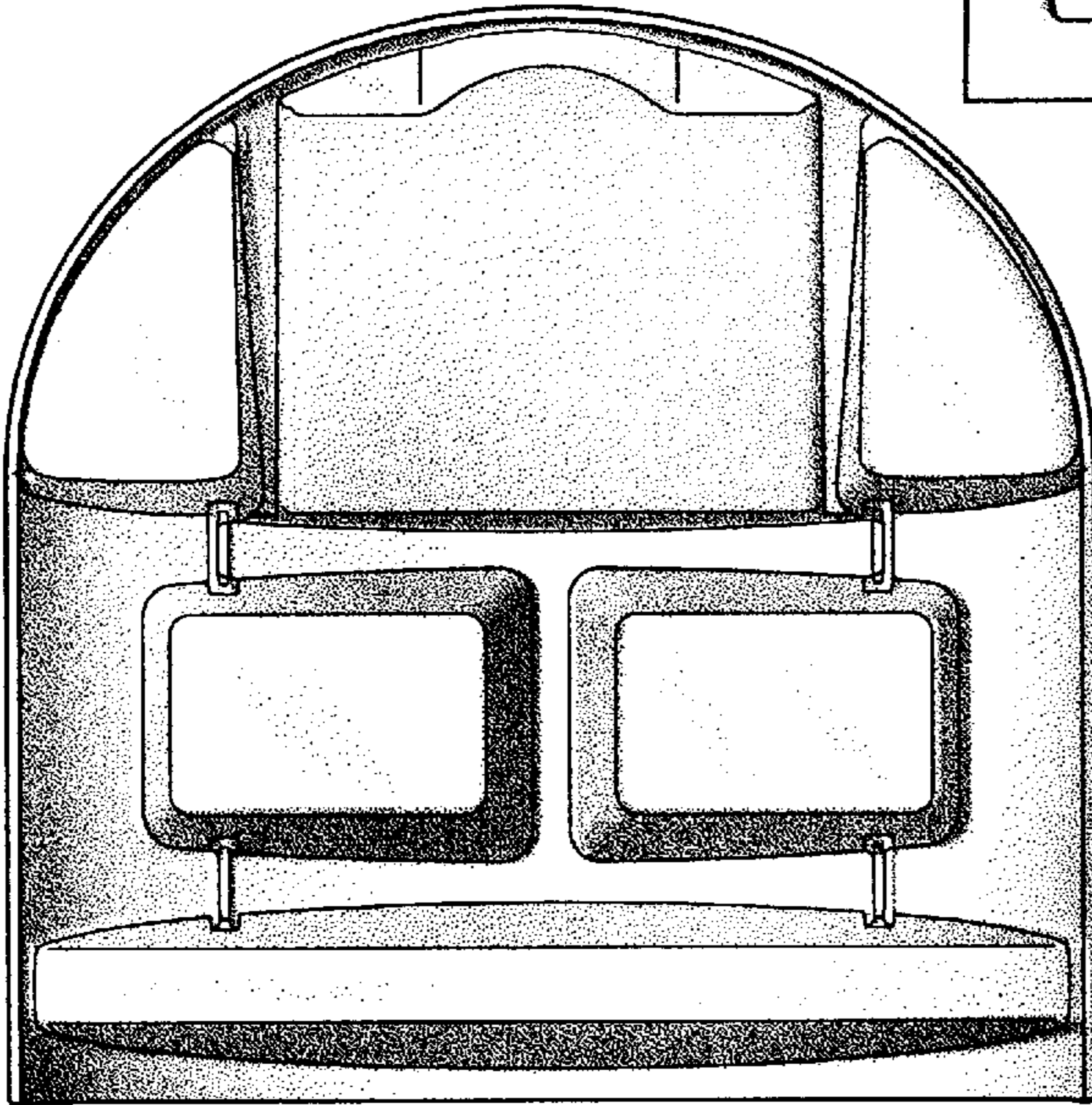
**FIG. 3**



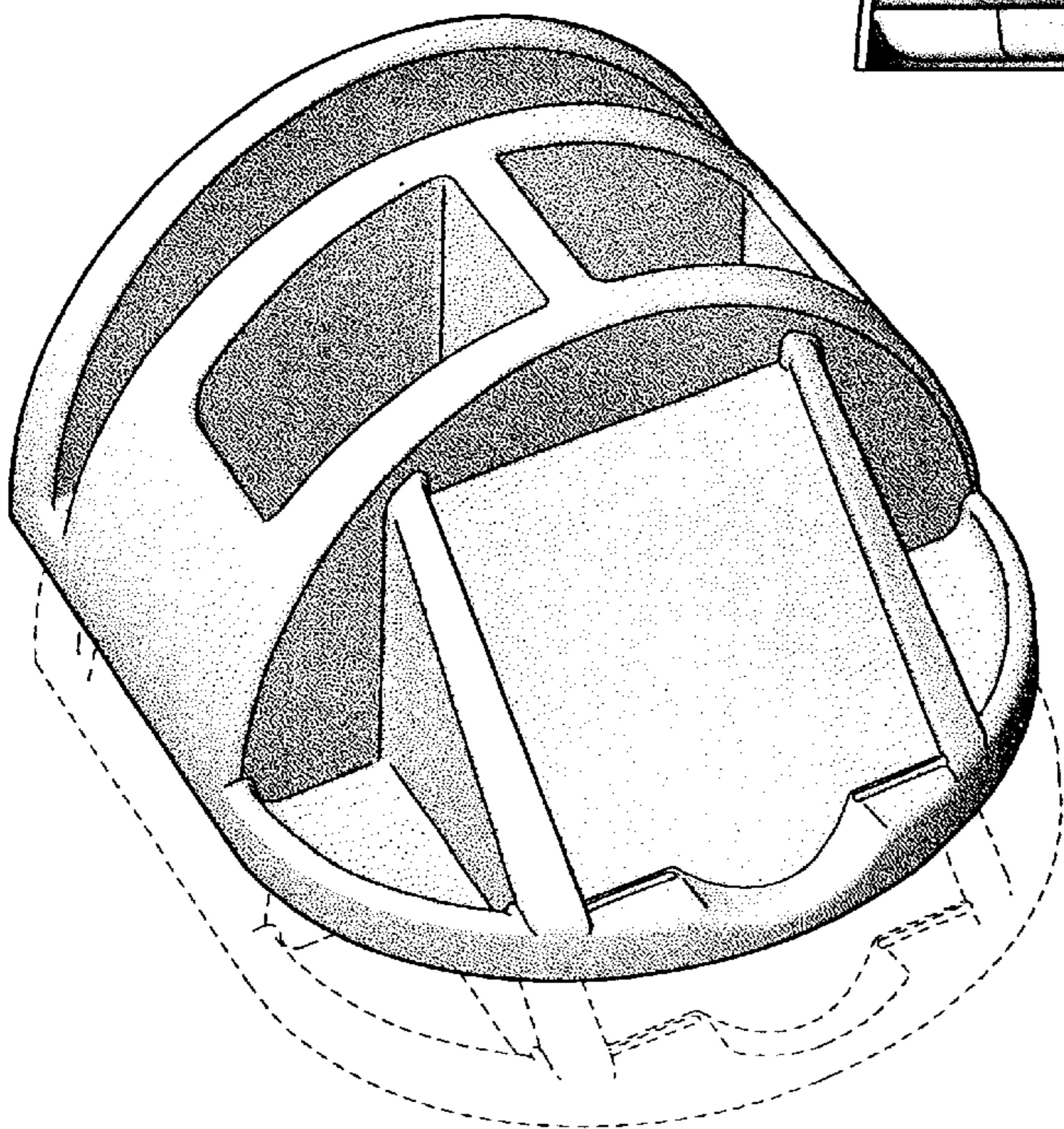
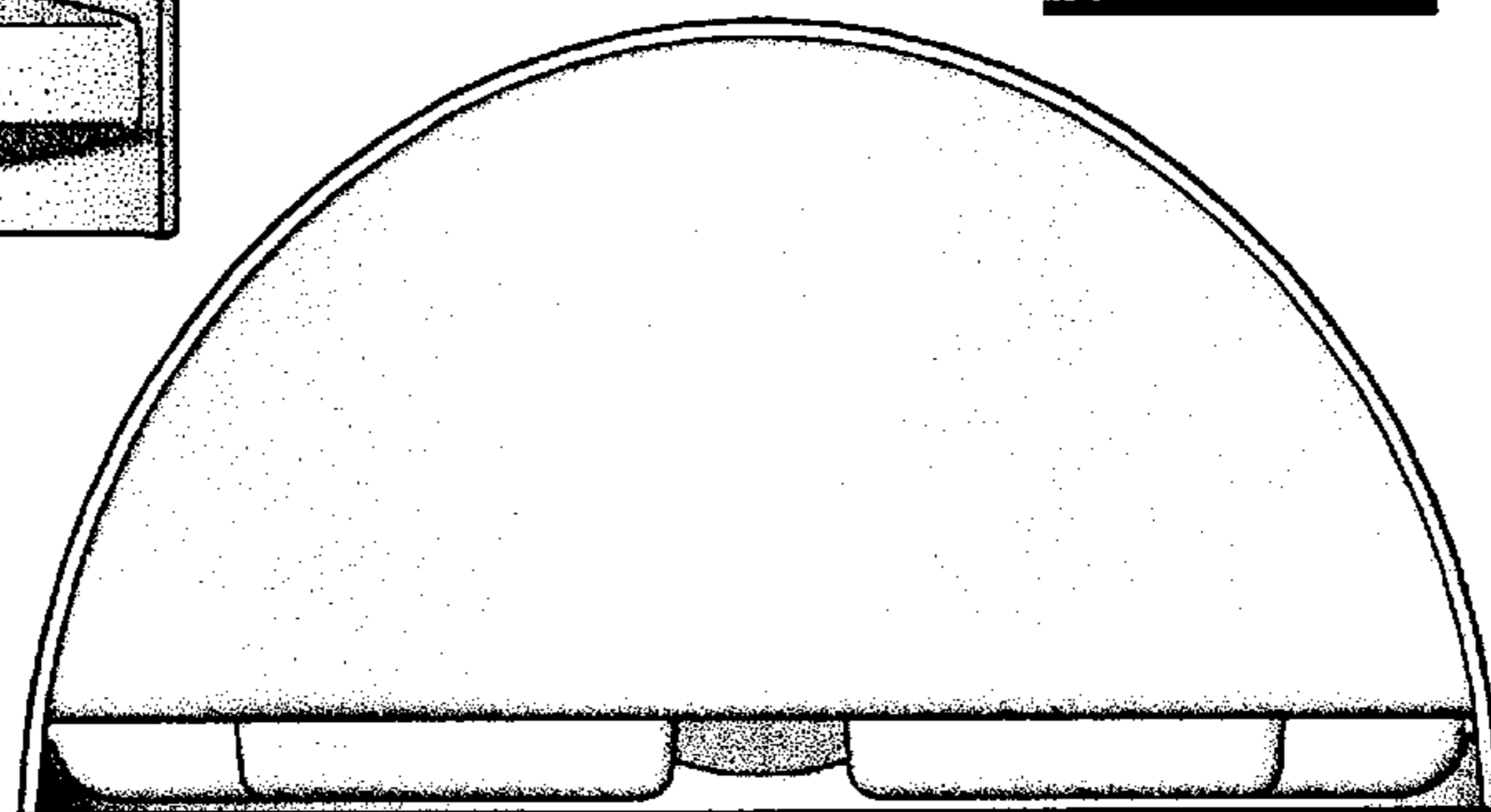


**FIG. 4**

**FIG. 5**



**FIG. 6**



**FIG. 7**