



US00D524864S

(12) **United States Design Patent**  
**Henry**

(10) **Patent No.:** **US D524,864 S**

(45) **Date of Patent:** **\*\* Jul. 11, 2006**

(54) **FASTENER FOR PAPERS**

(75) Inventor: **Roger Henry**, Hawthorn (AU)

(73) Assignee: **Arnos Australia Pty. Ltd.**, Cheltenham (AU)

(\*\*) Term: **14 Years**

(21) Appl. No.: **29/231,829**

(22) Filed: **Jun. 9, 2005**

(30) **Foreign Application Priority Data**

Dec. 9, 2004 (AU) ..... 15722/2004

(51) **LOC (8) Cl.** ..... **19-02**

(52) **U.S. Cl.** ..... **D19/65**

(58) **Field of Classification Search** ..... D8/394,  
D8/395; D19/26-33, 65, 86, 87, 88, 95; 24/67 R,  
24/67.3, 67.5, 67.9, 67.11, 547, 550, 561,  
24/563, 564, 570, DIG. 8, DIG. 9; 40/666;  
281/45; 402/8, 14, 15, 16, 17, 18

See application file for complete search history.

(56) **References Cited**

**U.S. PATENT DOCUMENTS**

470,050	A	*	3/1892	Jewell	.....	402/20
1,021,620	A	*	3/1912	Miller	.....	24/67.1
1,476,088	A	*	12/1923	Liddell	.....	402/12
1,507,547	A	*	9/1924	Grunewald	.....	402/24
D210,267	S	*	2/1968	Rockwell	.....	D19/26
4,006,992	A	*	2/1977	Persson	.....	402/47
4,084,911	A	*	4/1978	DeWitt	.....	402/15
4,172,675	A	*	10/1979	Lacourt	.....	402/27
4,269,530	A	*	5/1981	Weber	.....	402/15

4,300,848	A	*	11/1981	Waegemann	.....	402/13
4,434,534	A	*	3/1984	Handler	.....	24/67.1
4,519,504	A	*	5/1985	Nausedas	.....	206/554
4,693,624	A	*	9/1987	Moosmuller	.....	402/22
D295,422	S	*	4/1988	Erickson	.....	D19/32
5,028,160	A	*	7/1991	Callander	.....	402/7
5,593,242	A	*	1/1997	Mathias	.....	402/7
5,697,722	A	*	12/1997	Hladik et al.	.....	402/35
6,129,475	A	*	10/2000	De Beer et al.	.....	402/14

\* cited by examiner

*Primary Examiner*—Caron D. Veynar

*Assistant Examiner*—Elizabeth Albert

(74) *Attorney, Agent, or Firm*—Seed Intellectual Property Law Group PLLC

(57) **CLAIM**

The ornamental design for a fastener for papers, as shown and described.

**DESCRIPTION**

FIG. 1 is an exploded front elevational view of the fastener for papers showing my new design;

FIG. 2 is an exploded side elevational view thereof, the opposite side view being a mirror image;

FIG. 3 is an exploded rear elevational view thereof;

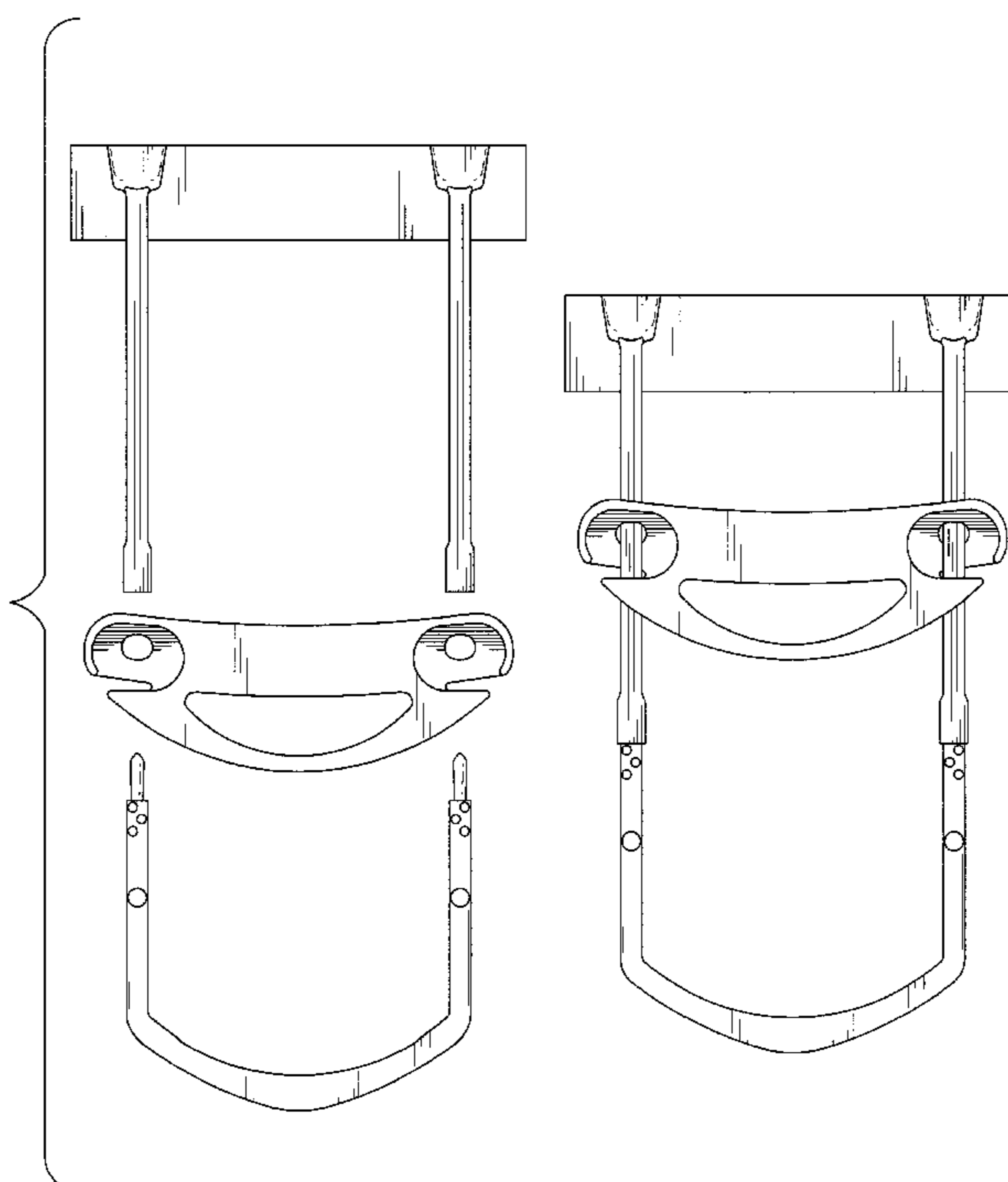
FIG. 4 is a front elevational view showing the fastener in its assembled state.

FIG. 5 is a view corresponding to FIG. 4 and showing the cooperation between the tubular legs of the fastener and the securing piece.

FIG. 6 is a top plan view thereof; and,

FIG. 7 is a bottom plan view thereof.

**1 Claim, 5 Drawing Sheets**



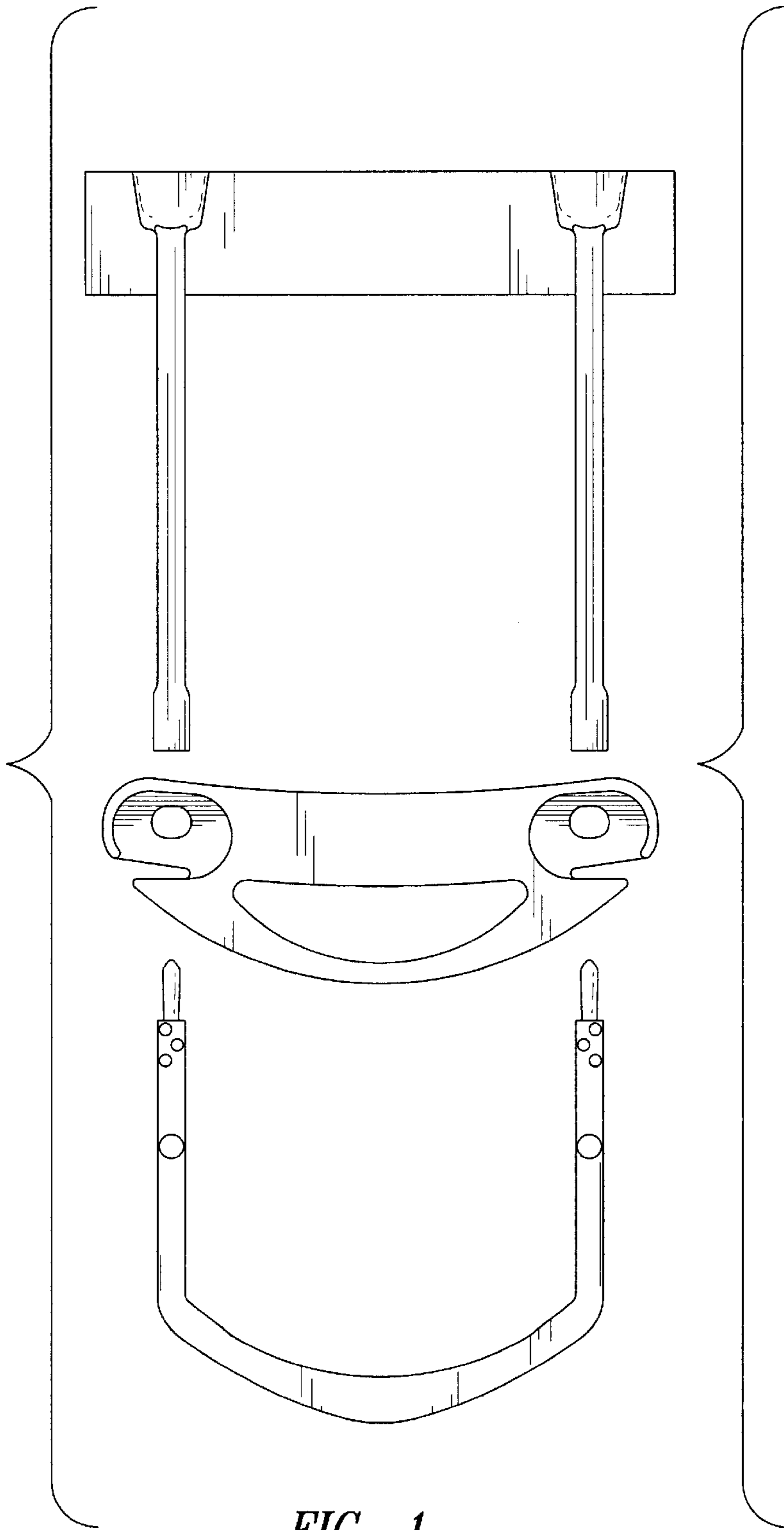


FIG. 1

FIG. 2

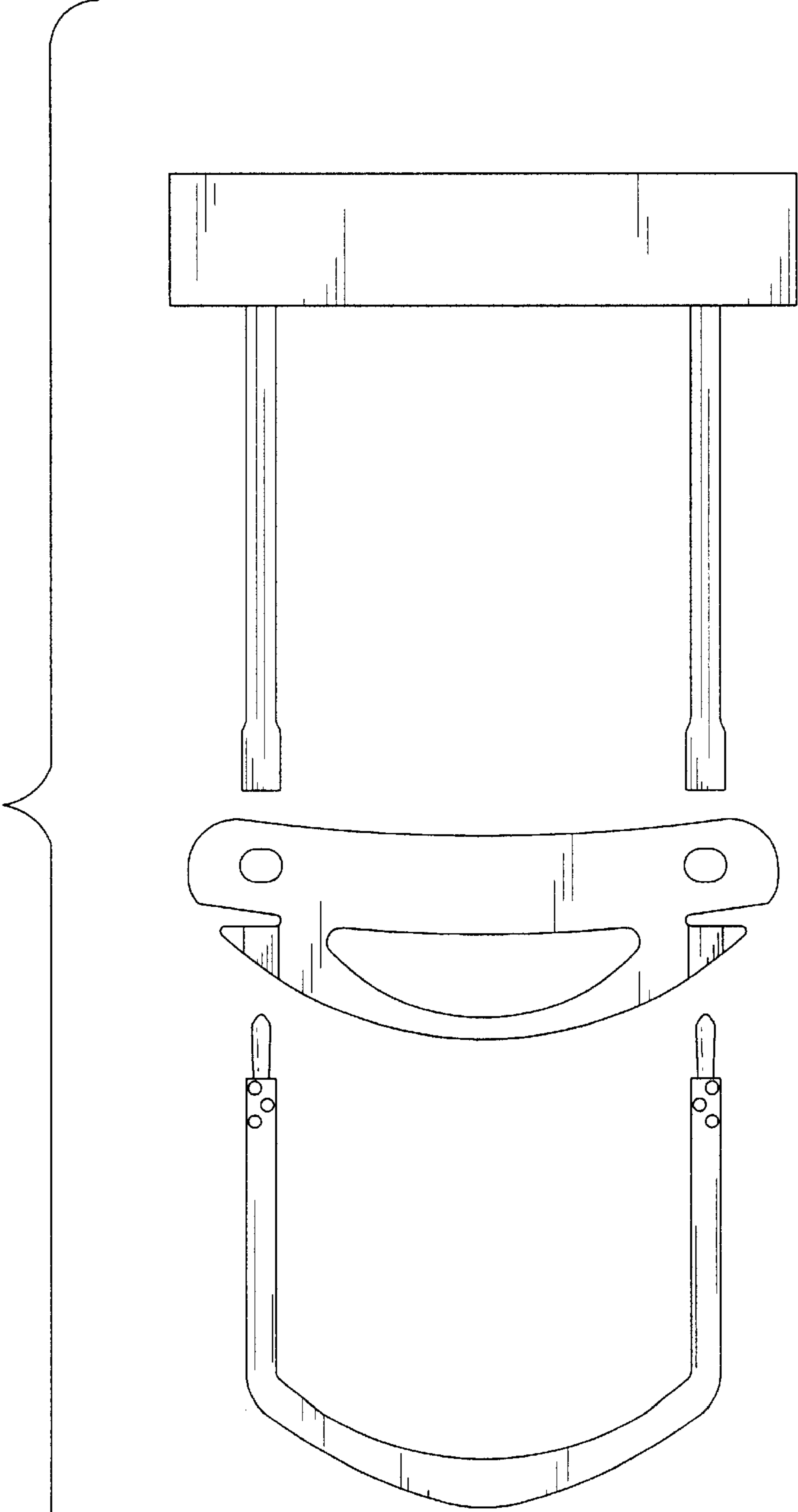
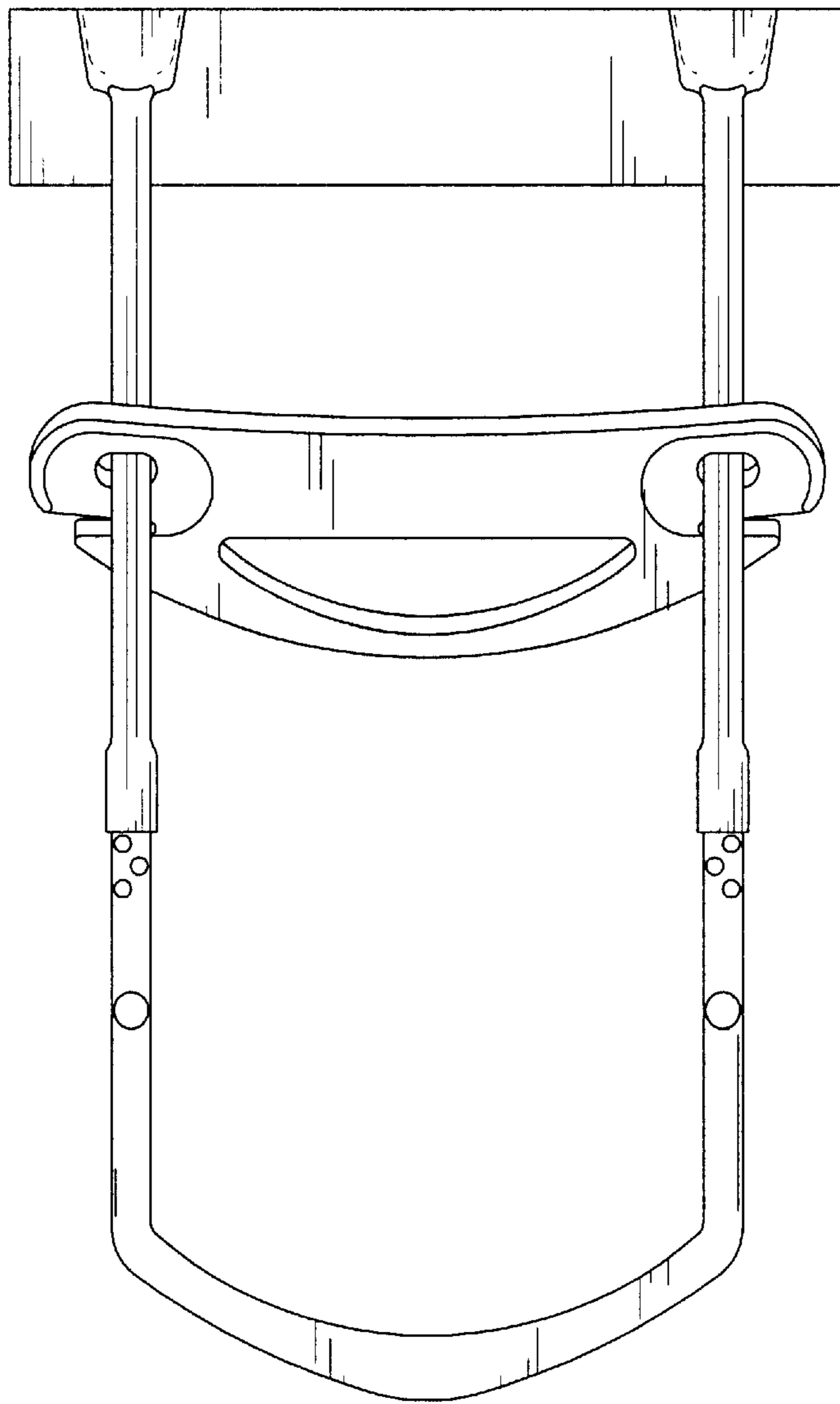
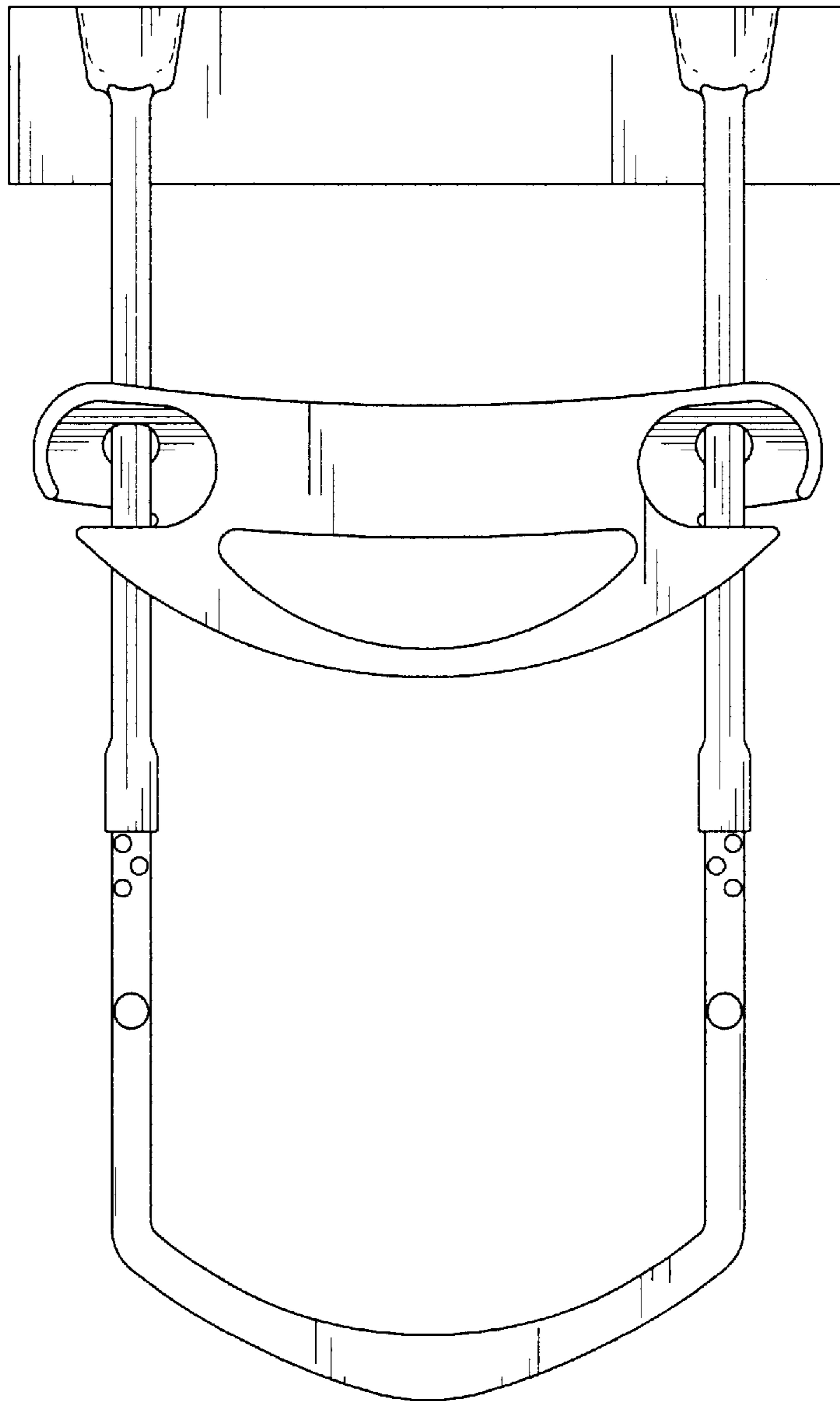


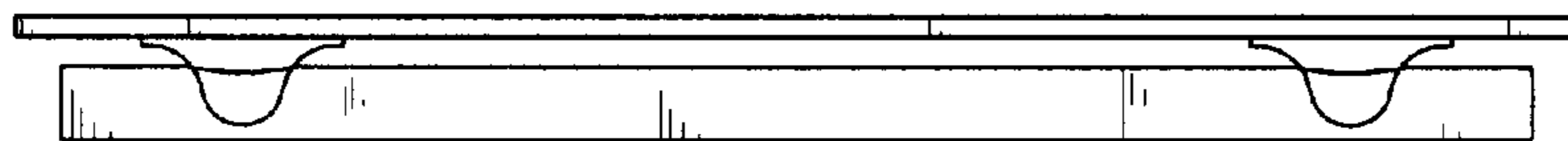
FIG. 3



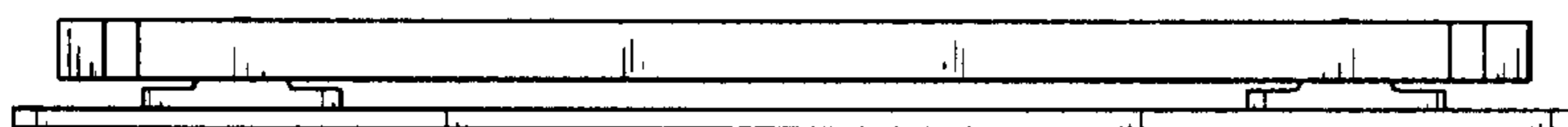
*FIG. 4*



*FIG. 5*



*FIG. 6*



*FIG. 7*