

US00D524862S

(12) **United States Design Patent**  
**Arceneaux**

(10) **Patent No.:** **US D524,862 S**

(45) **Date of Patent:** **\*\* Jul. 11, 2006**

(54) **GREETING CARD ALBUM**

D471,807 S \* 3/2003 Sisinni ..... D9/432  
6,964,433 B1 \* 11/2005 Plutsky ..... 281/21.1

(76) Inventor: **Sharon Arceneaux**, 6324 N. Greely Ave., Portland, OR (US) 97217

\* cited by examiner

(\*\*) Term: **14 Years**

*Primary Examiner*—Janice E. Seeger

*Assistant Examiner*—Elizabeth Albert

(21) Appl. No.: **29/213,036**

(74) *Attorney, Agent, or Firm*—Schwabe Williamson & Wyatt

(22) Filed: **Sep. 9, 2004**

(57) **CLAIM**

(51) **LOC (8) Cl.** ..... **19-04**

The ornamental design for a greeting card album, as shown and described.

(52) **U.S. Cl.** ..... **D19/26**

**DESCRIPTION**

(58) **Field of Classification Search** ..... D3/303, D3/900; D6/634; D19/26, 27, 28, 29, 30, D19/31, 32, 33, 86; 40/530, 536, 537; 206/450, 206/472; 281/2, 3.1, 15.1, 19.1, 21.1, 22, 281/29, 31, 38; 283/63.1, 64; 402/73  
See application file for complete search history.

FIG. 1 is a top plan view of a greeting card album fully open; FIG. 2 is a front angle perspective view of the greeting card album one-quarter open; FIG. 3 is a rear angle perspective view of the greeting card album one-quarter open; FIG. 4 is a rear angle perspective view of the greeting card album fully closed; and, FIG. 5 is a front angle perspective view of a page insert of the greeting card album shown separately for convenience of illustration.

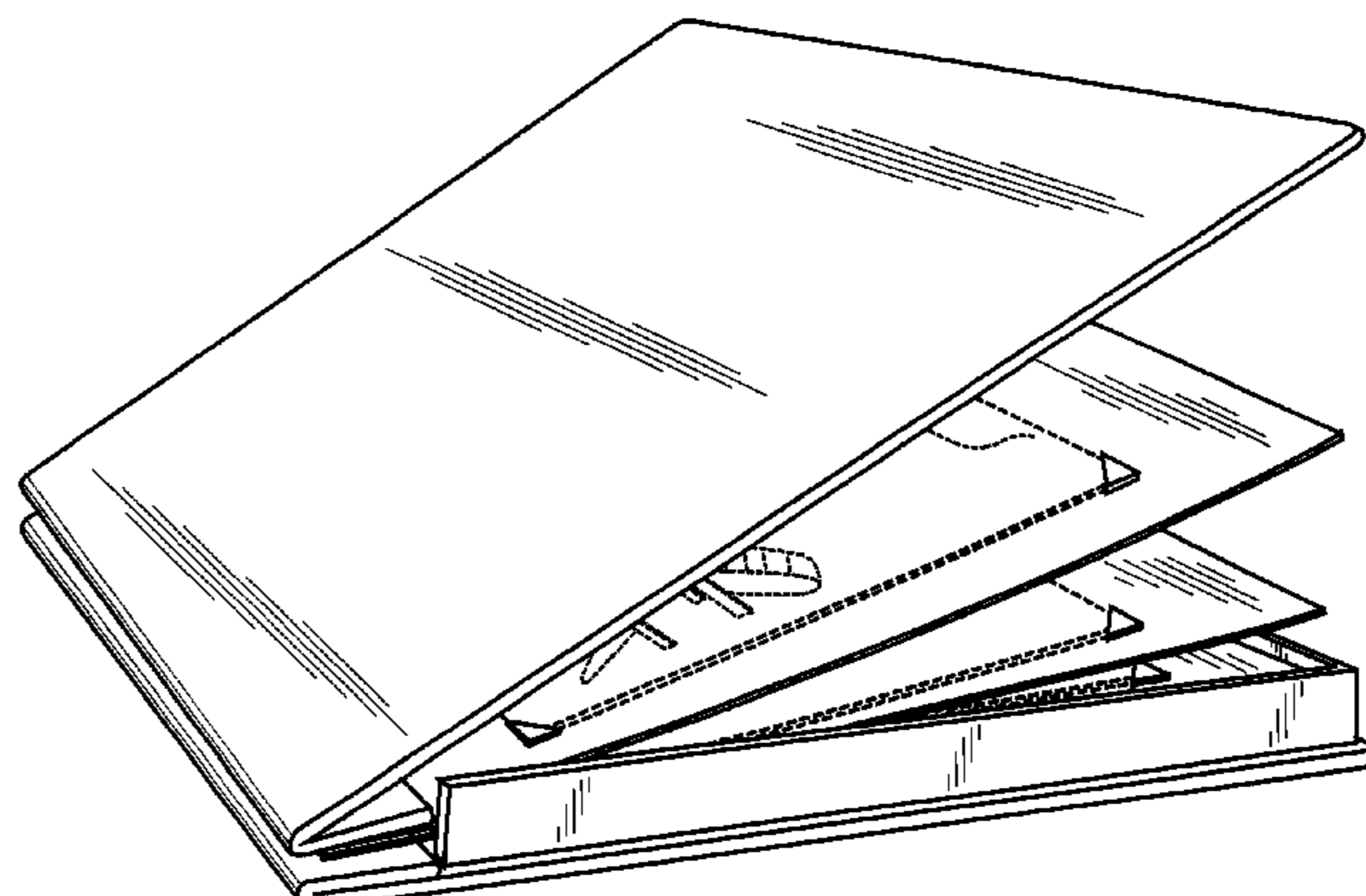
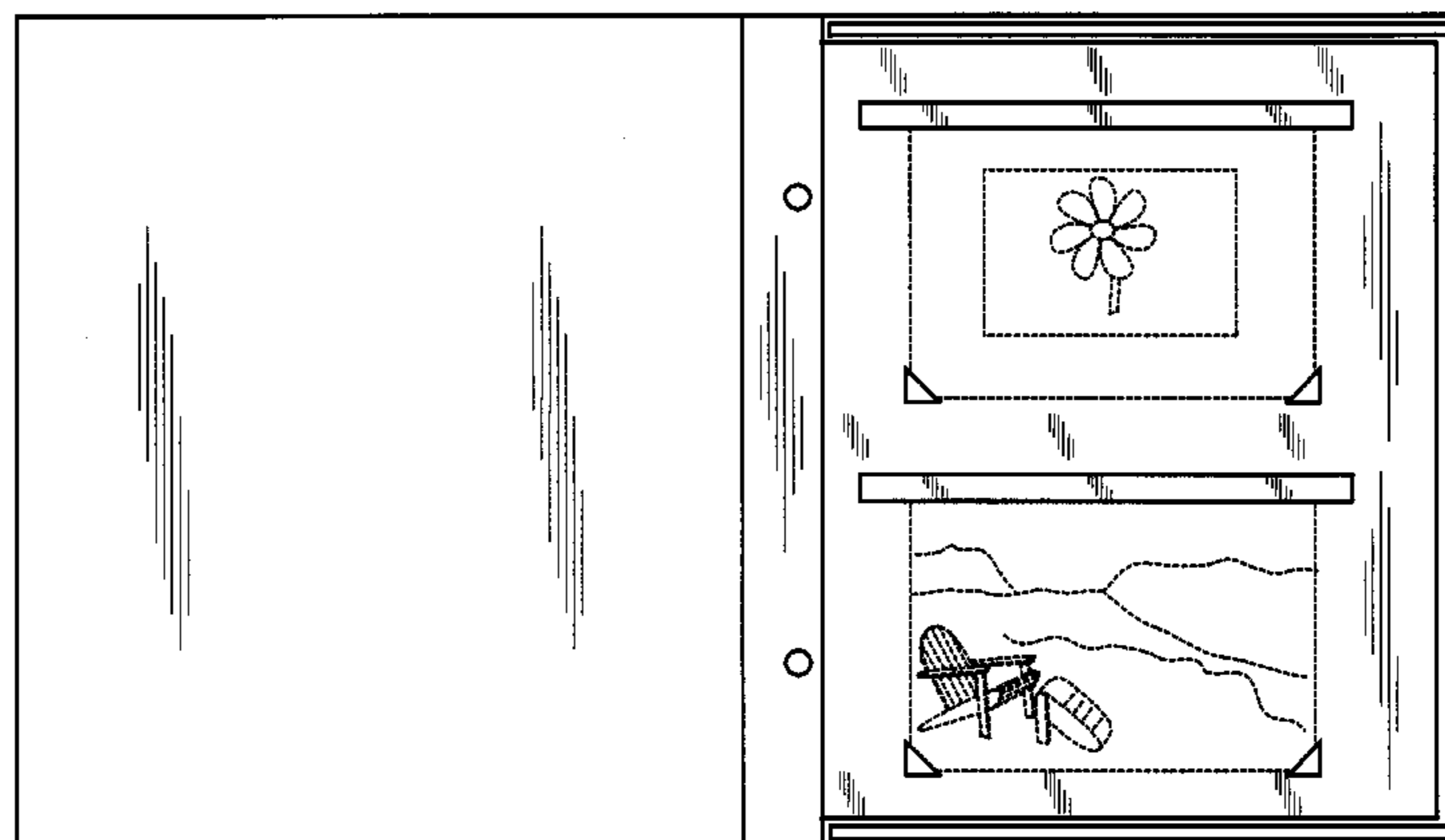
(56) **References Cited**

**U.S. PATENT DOCUMENTS**

1,819,937 A \* 8/1931 Williams ..... 402/14  
2,259,211 A \* 10/1941 Morgan ..... 40/536  
4,887,925 A \* 12/1989 Groswith et al. .... 402/15  
6,179,332 B1 \* 1/2001 Funkhouser ..... 281/21.1  
D449,853 S \* 10/2001 Myers ..... D19/26

The broken lines showing environment in the drawings are for information purposes only and form no part of the claimed design.

**1 Claim, 3 Drawing Sheets**



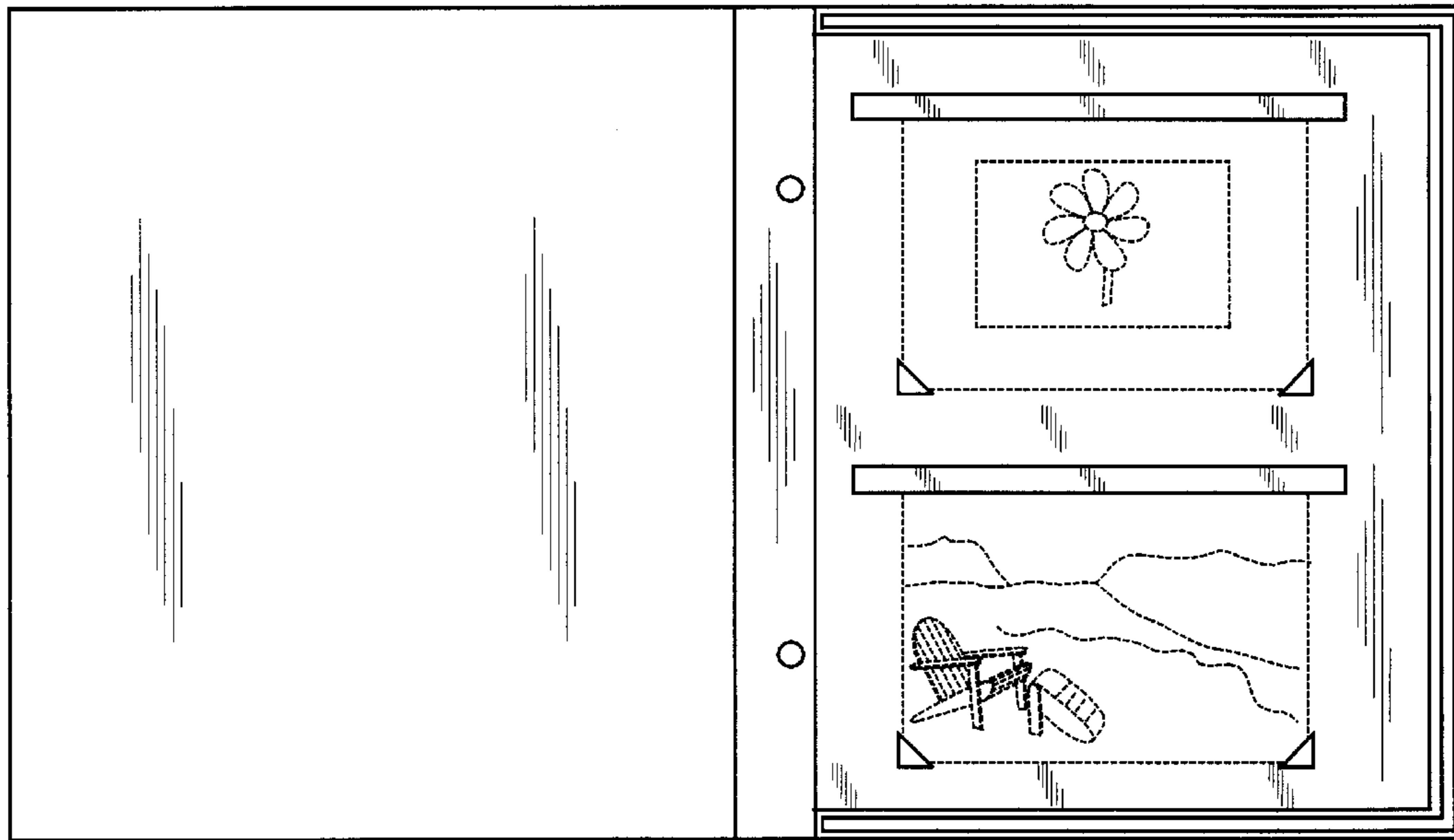


FIG. 1

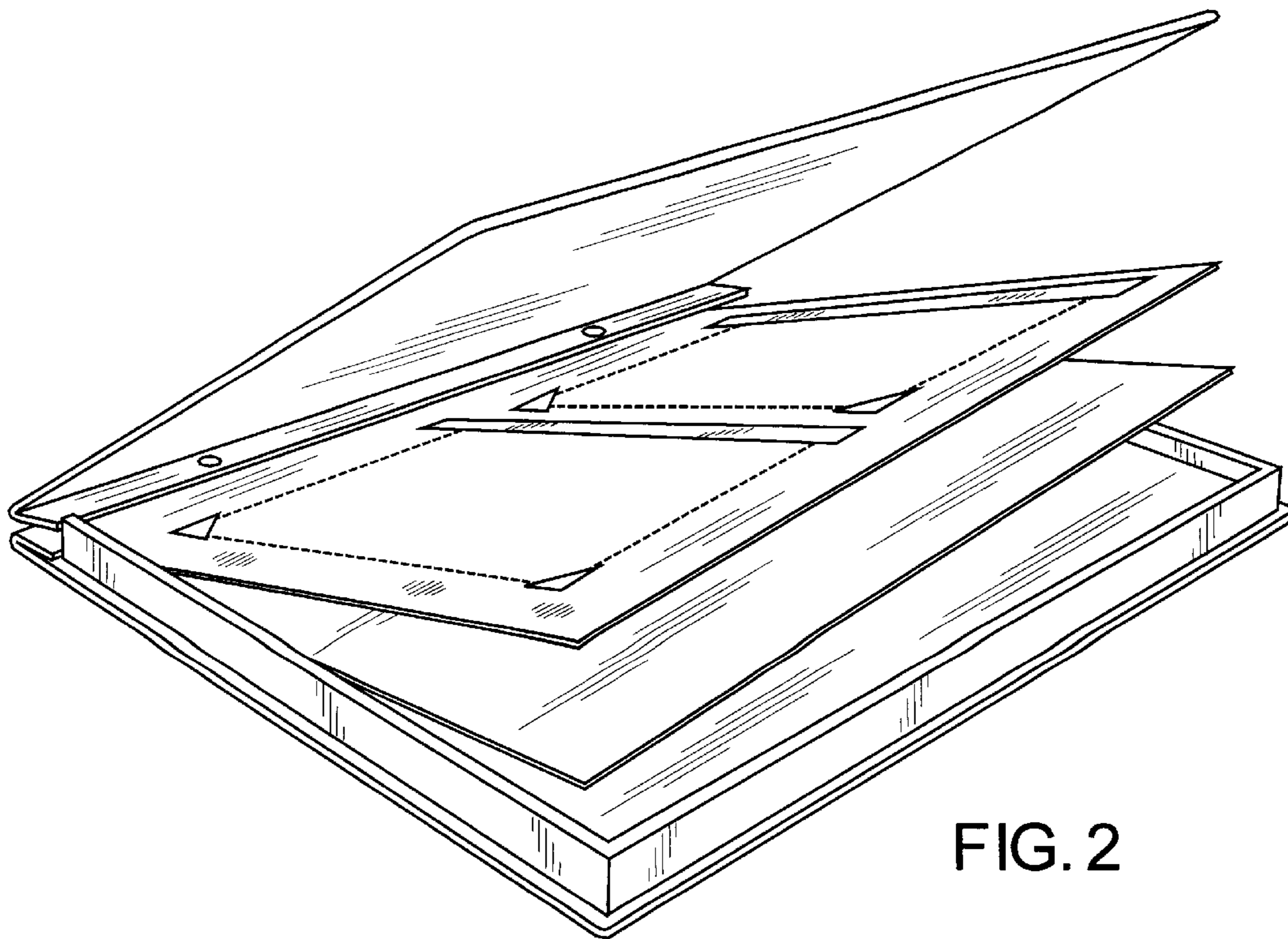


FIG. 2

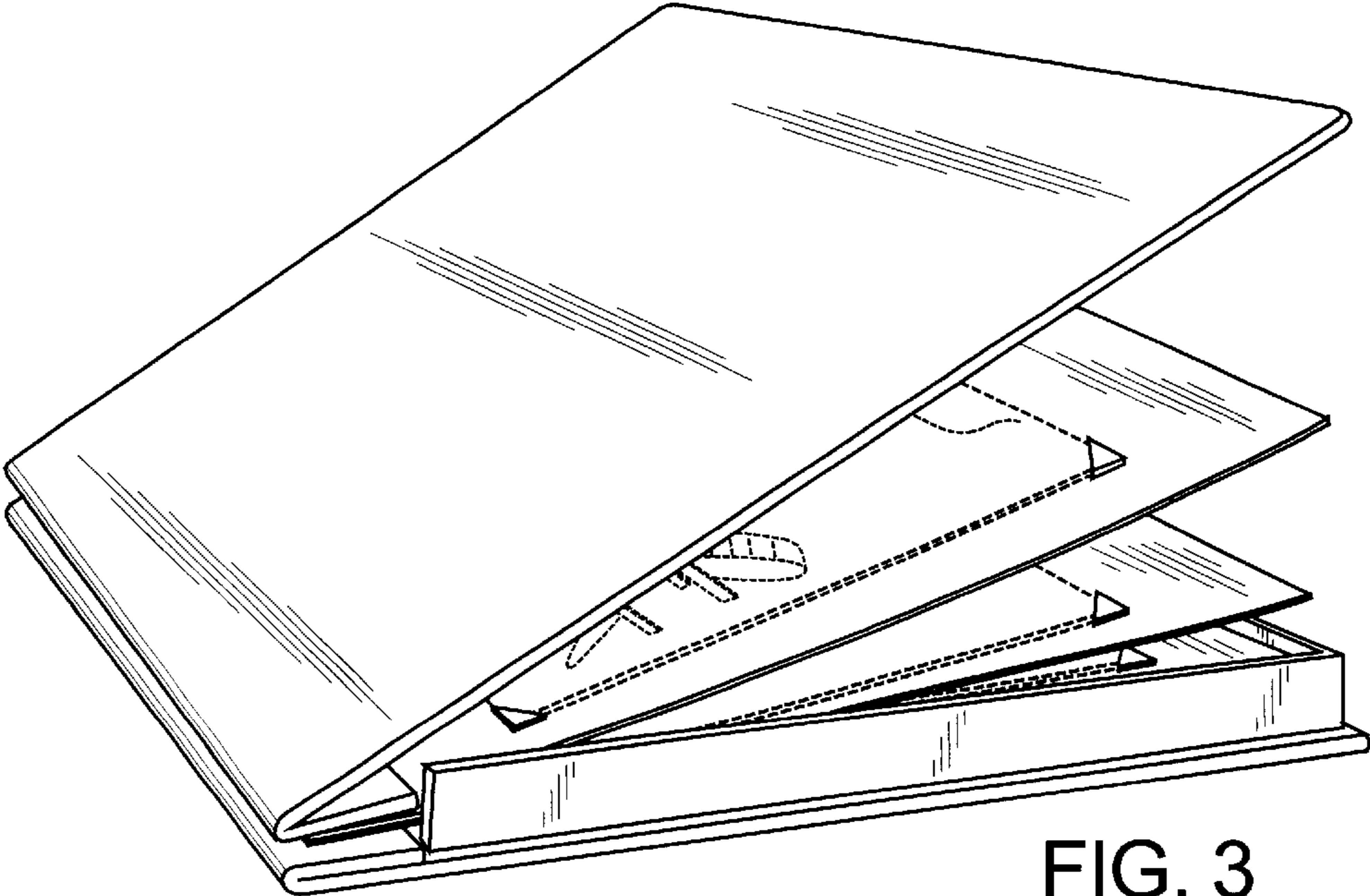


FIG. 3

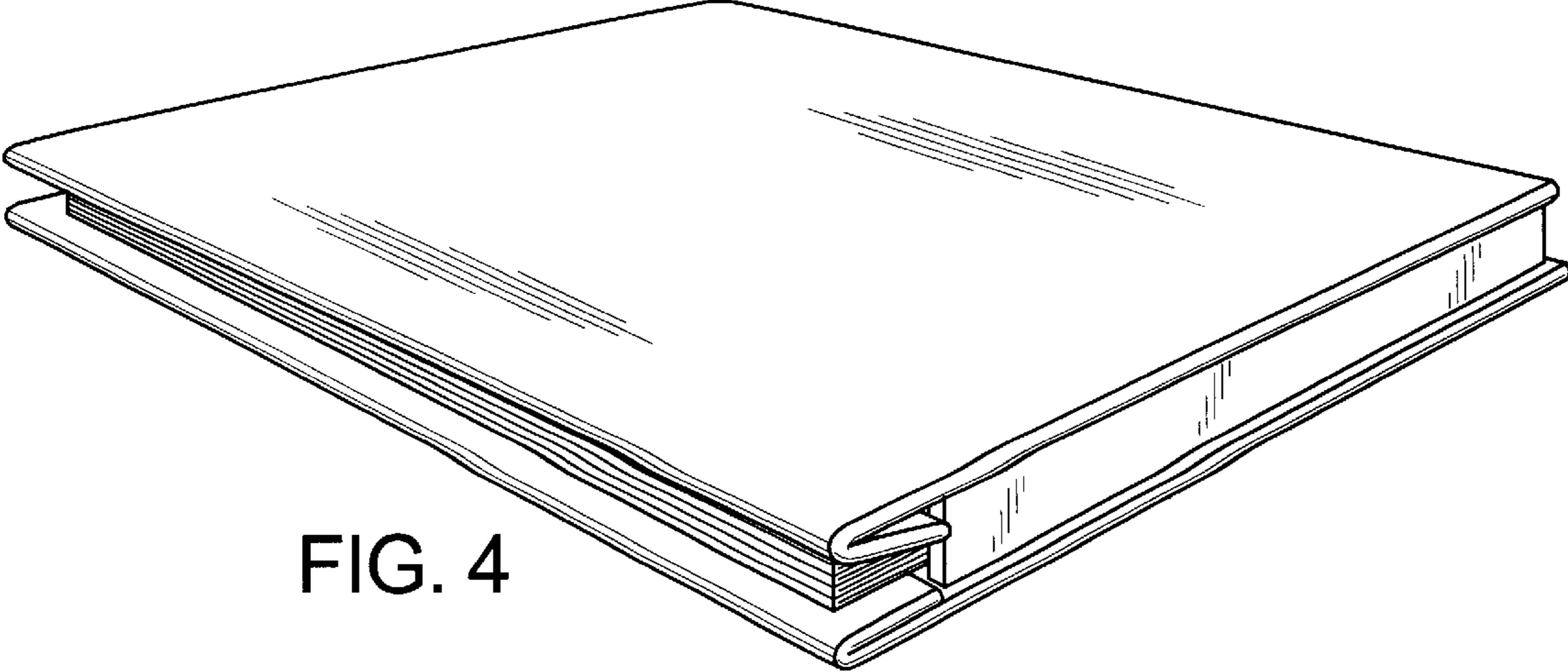


FIG. 4

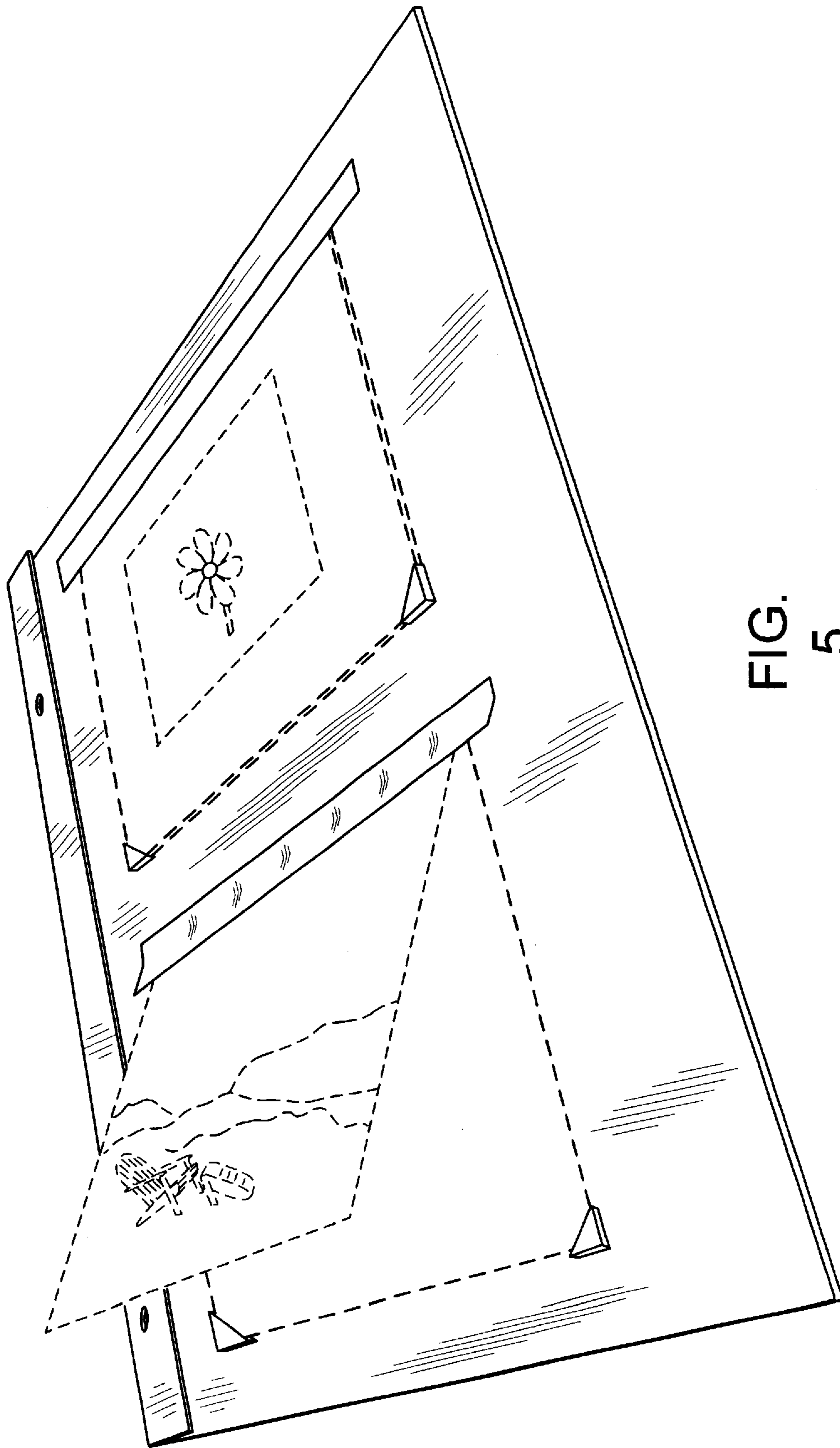


FIG.  
5