



US00D524852S

(12) **United States Design Patent**
Watarai

(10) **Patent No.:** **US D524,852 S**

(45) **Date of Patent:** **** Jul. 11, 2006**

(54) **INK CARTRIDGE**

(75) Inventor: **Katsuya Watarai**, Ena (JP)

(73) Assignee: **Brother Industries, Ltd.**, Nagoya (JP)

(**) Term: **14 Years**

(21) Appl. No.: **29/203,656**

(22) Filed: **Apr. 19, 2004**

(30) **Foreign Application Priority Data**

Oct. 24, 2003 (JP) 2003-031568

(51) **LOC (8) Cl.** **18-02**

(52) **U.S. Cl.** **D18/56**

(58) **Field of Classification Search** D18/12,
D18/43, 56, 99; 347/32, 33, 86-88; 400/207,
400/208

See application file for complete search history.

(56) **References Cited**

U.S. PATENT DOCUMENTS

D321,900 S * 11/1991 Kumagai D18/56

D330,387 S * 10/1992 Kawakami D18/56

D331,939 S * 12/1992 Ujita D18/56

D348,478 S * 7/1994 Ujita et al. D18/56

5,381,172 A * 1/1995 Ujita et al. 347/86

5,805,187 A * 9/1998 Sasaki 347/86

D400,573 S * 11/1998 Inoue et al. D18/56

D442,626 S * 5/2001 Barouh et al. D18/56

D447,513 S * 9/2001 Miyazawa et al. D18/56

D464,082 S * 10/2002 Yamada et al. D18/56

D464,372 S * 10/2002 Yamada et al. D18/56

* cited by examiner

Primary Examiner—Louis S. Zarfaz

Assistant Examiner—Anhdao Doan

(74) *Attorney, Agent, or Firm*—Oliff & Berridge, PLC

(57) **CLAIM**

The ornamental design for a ink cartridge, as shown and described.

DESCRIPTION

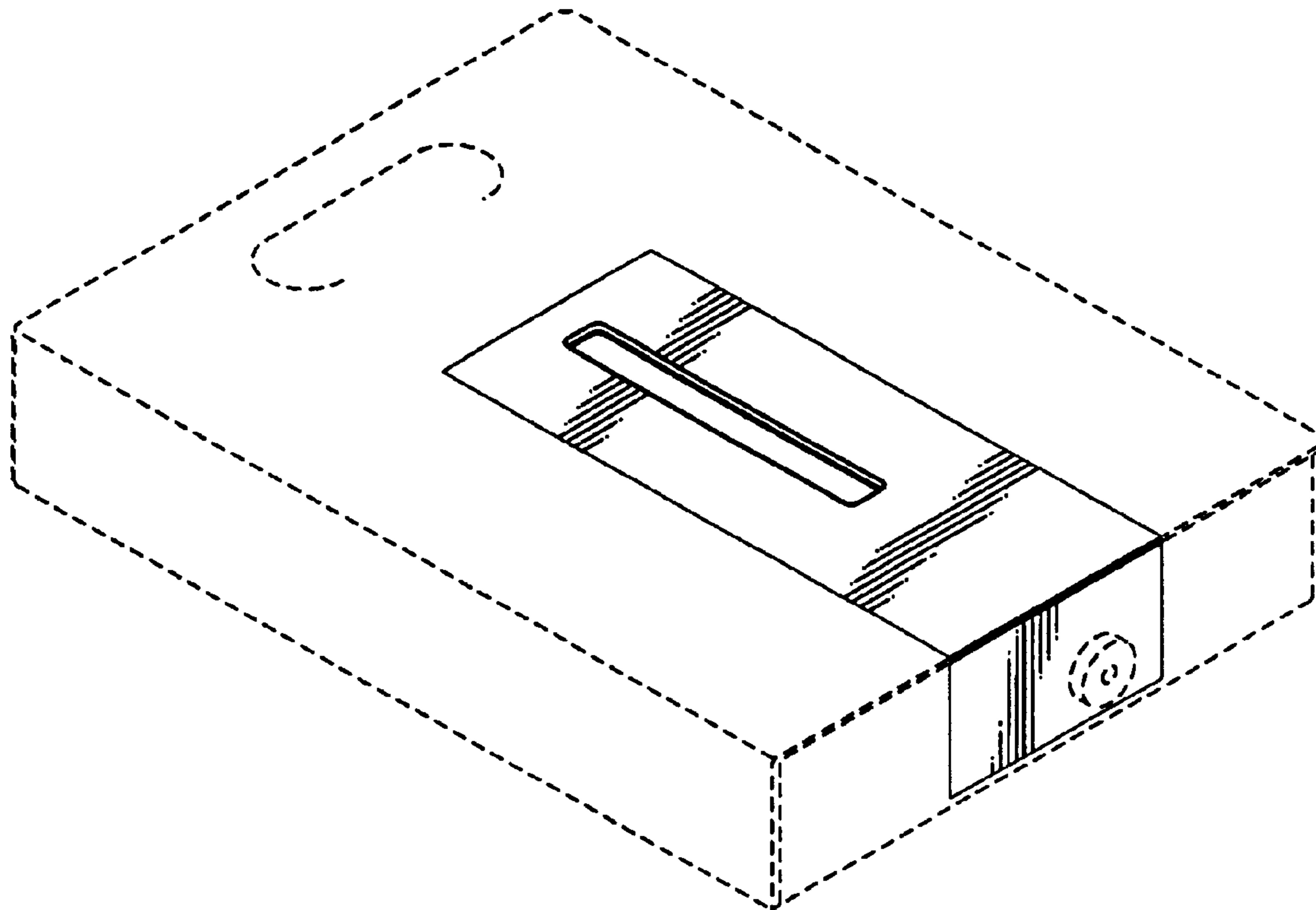
FIG. 1 is a front perspective view of an ink cartridge;

FIG. 2 is a top view thereof; and,

FIG. 3 is a right-side view thereof.

The broken lines are for illustrative purposes only and form no part of the claimed design.

1 Claim, 1 Drawing Sheet



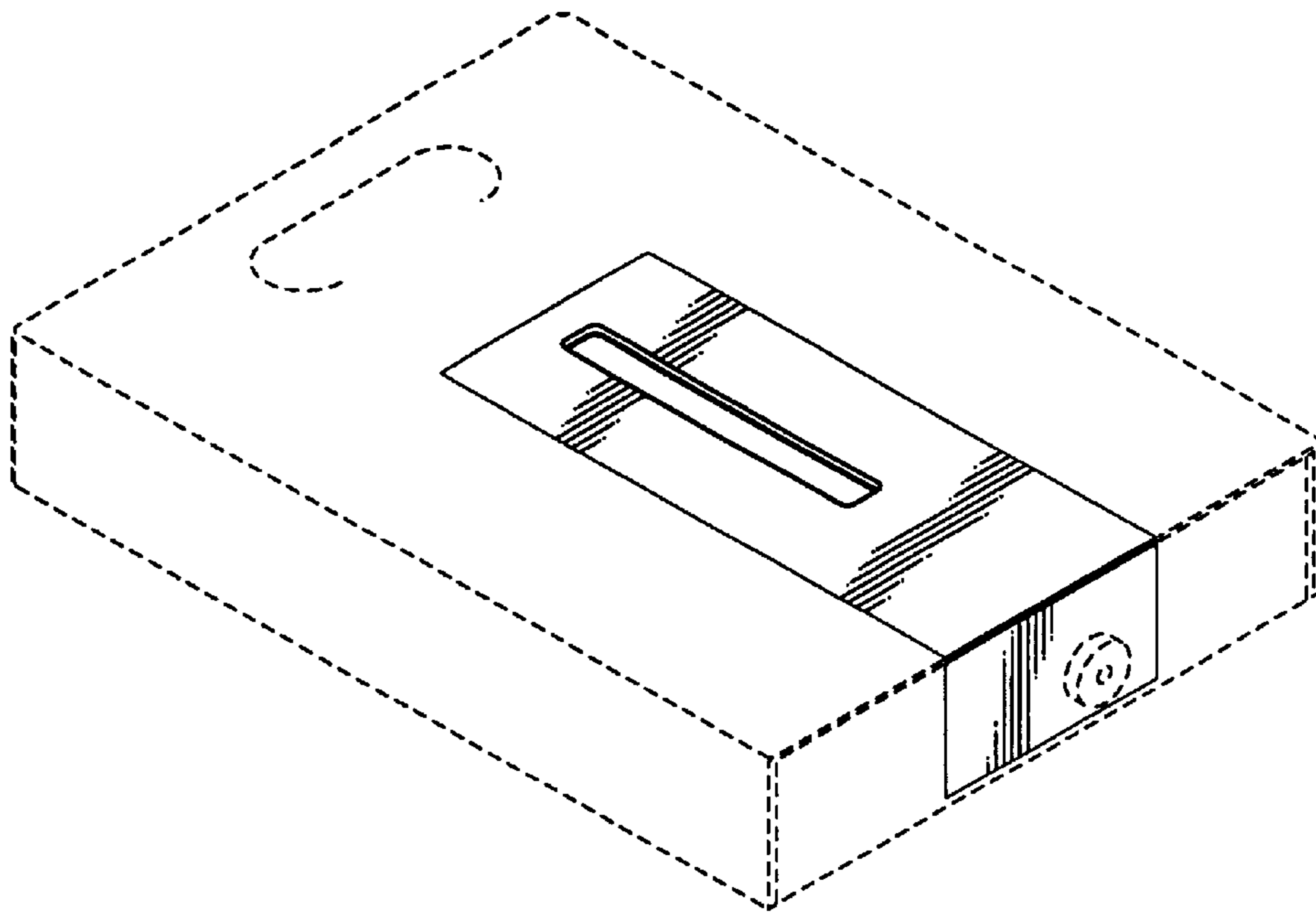


FIG. 1

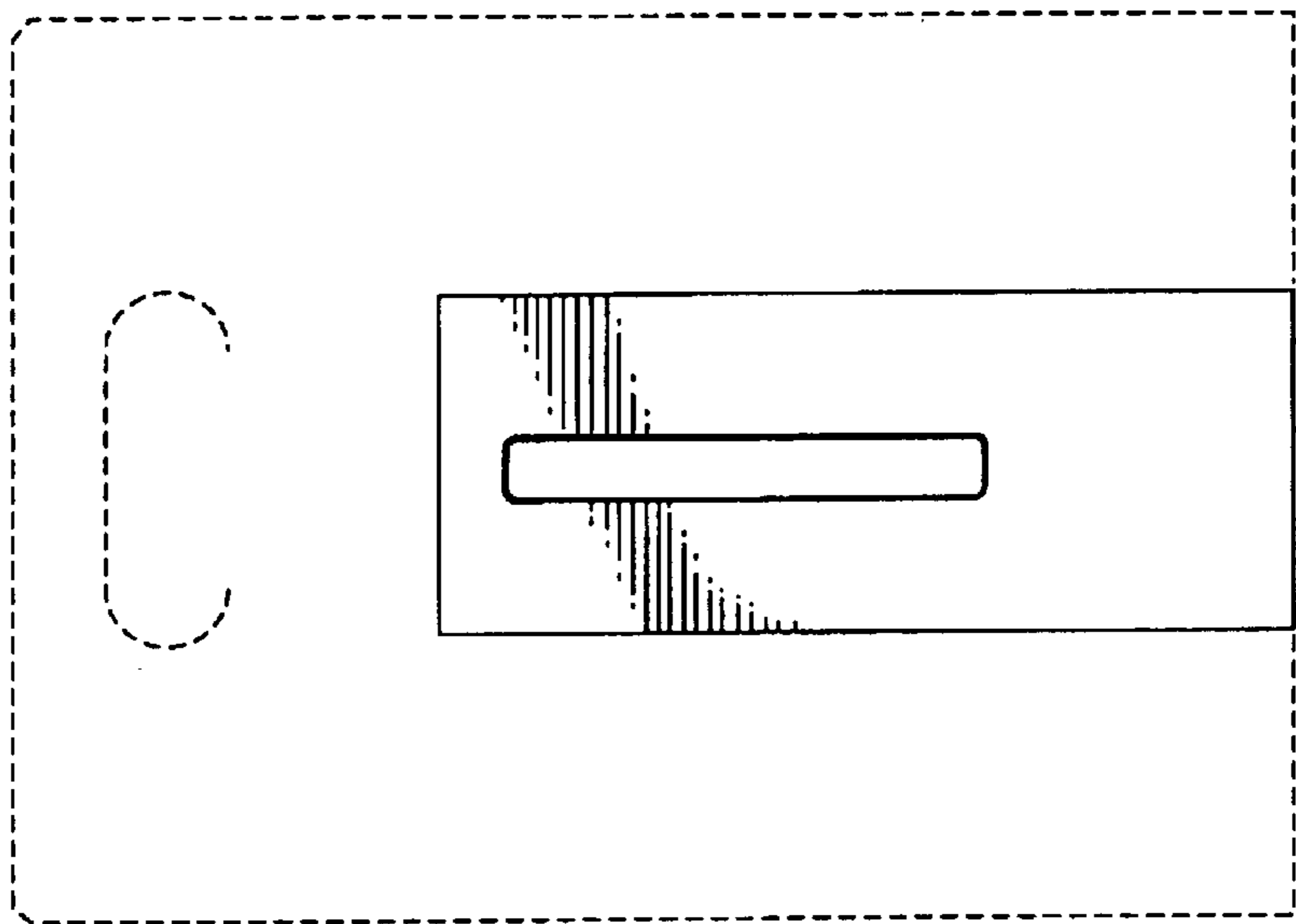


FIG. 2

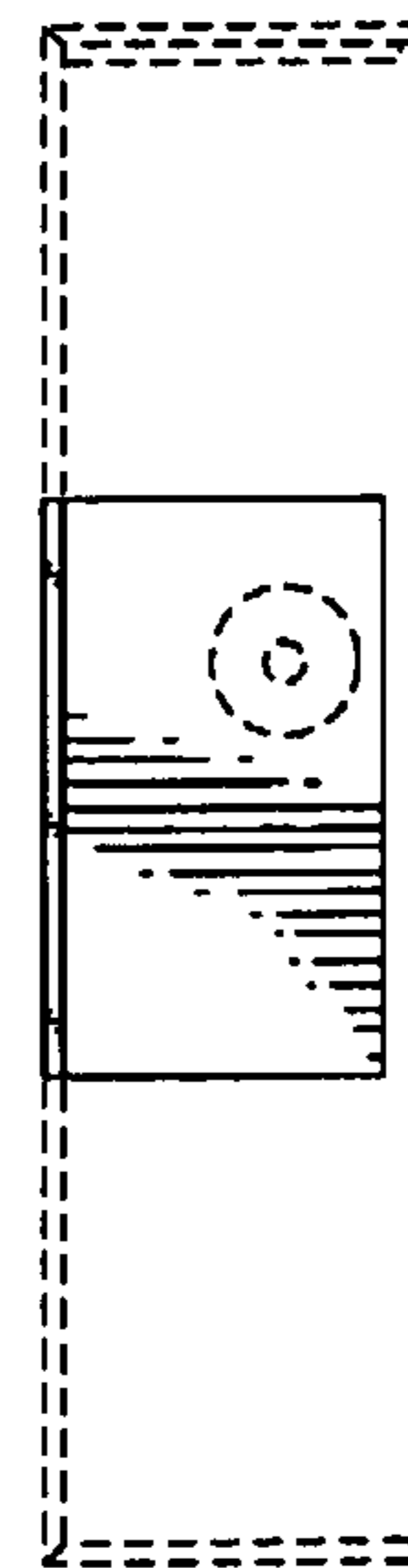


FIG. 3