

US00D524851S

(12) **United States Design Patent**
Wong et al.

(10) **Patent No.: US D524,851 S**

(45) **Date of Patent: ** *Jul. 11, 2006**

(54) **PRINTER**

(75) Inventors: **Howard G. Wong**, Portland, OR (US);
Michael K. Bowen, Vancouver, WA
(US)

(73) Assignee: **Hewlett-Packard Development
Company, L.P.**, Houston, TX (US)

(*) Notice: This patent is subject to a terminal dis-
claimer.

(**) Term: **14 Years**

(21) Appl. No.: **29/185,871**

(22) Filed: **Jul. 2, 2003**

(51) **LOC (8) Cl.** **14-02**

(52) **U.S. Cl.** **D18/55**

(58) **Field of Classification Search** D18/19,
D18/36-41, 50, 53, 54, 54.1, 55; D14/420-425,
D14/462-470; 400/613, 613.1-613.4, 690.1-690.4,
400/691-694

See application file for complete search history.

(56) **References Cited**

U.S. PATENT DOCUMENTS

D427,235 S * 6/2000 Kaseno et al. D18/54
D459,389 S * 6/2002 Kaseno D18/50

D460,478 S 7/2002 Bishop et al.
D460,479 S 7/2002 Bishop et al.
D461,491 S 8/2002 Dwyer et al.
D465,515 S 11/2002 Hwang et al.
D466,920 S 12/2002 Kawahara et al.
D470,172 S 2/2003 Tatara et al.
D473,894 S 4/2003 Leong et al.
D478,119 S 8/2003 Hwang et al.
D483,059 S 12/2003 Goh et al.
D483,060 S * 12/2003 Wong et al. D18/50
D483,061 S * 12/2003 Wong D18/55
D486,178 S * 2/2004 Wong et al. D18/55
6,786,665 B1 * 9/2004 Hwang et al. 400/693

* cited by examiner

Primary Examiner—Cathy Anne MacCormac

(57) **CLAIM**

The ornamental design for a printer, substantially as shown.

DESCRIPTION

FIG. 1 is a perspective view of a printer, in accordance with
the present invention;

FIG. 2 is a top view thereof;

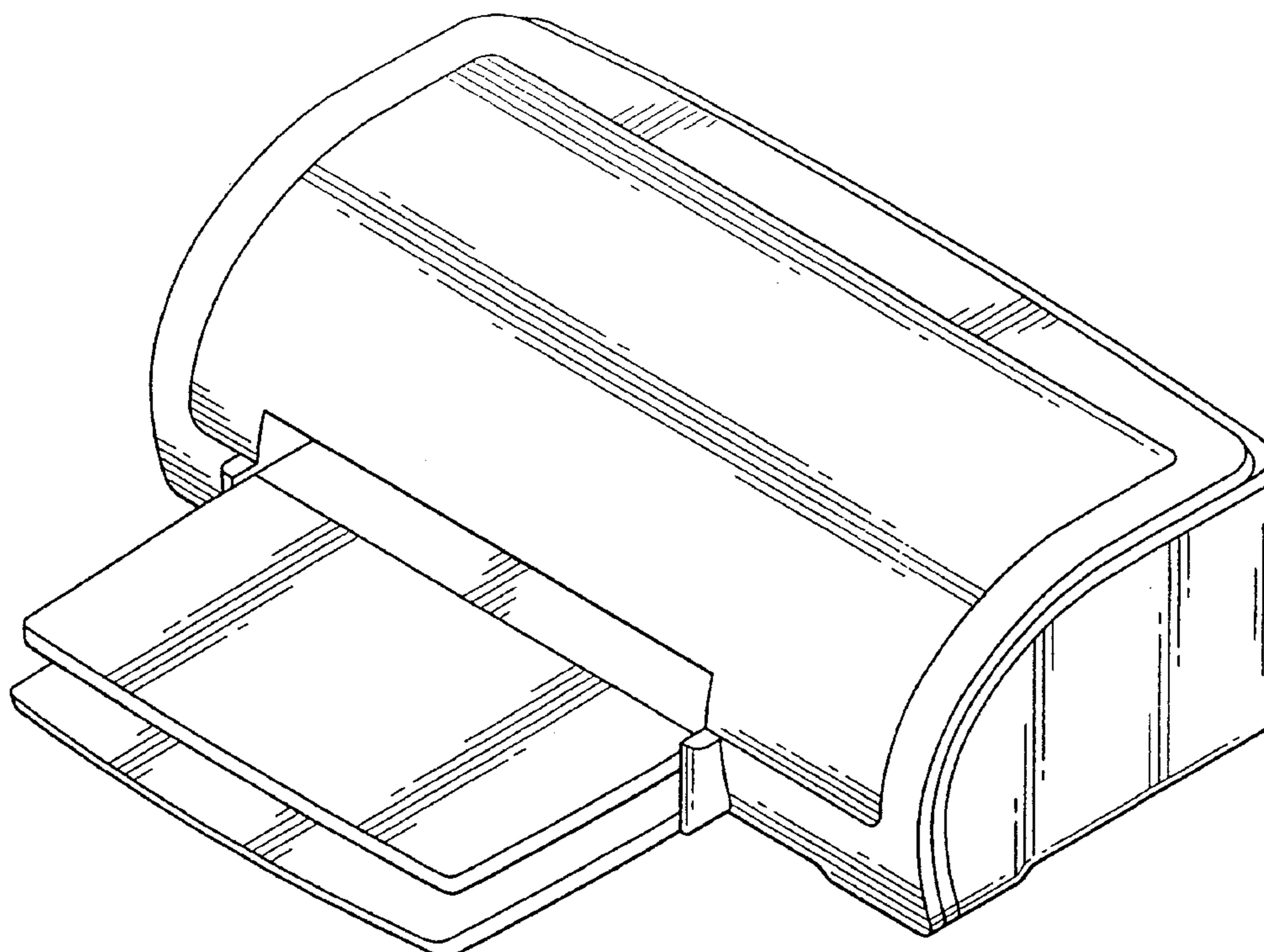
FIG. 3 is a front view thereof;

FIG. 4 is a right side view thereof, the left side is a mirror
image;

FIG. 5 is a rear view thereof; and,

FIG. 6 is a bottom view thereof.

1 Claim, 5 Drawing Sheets



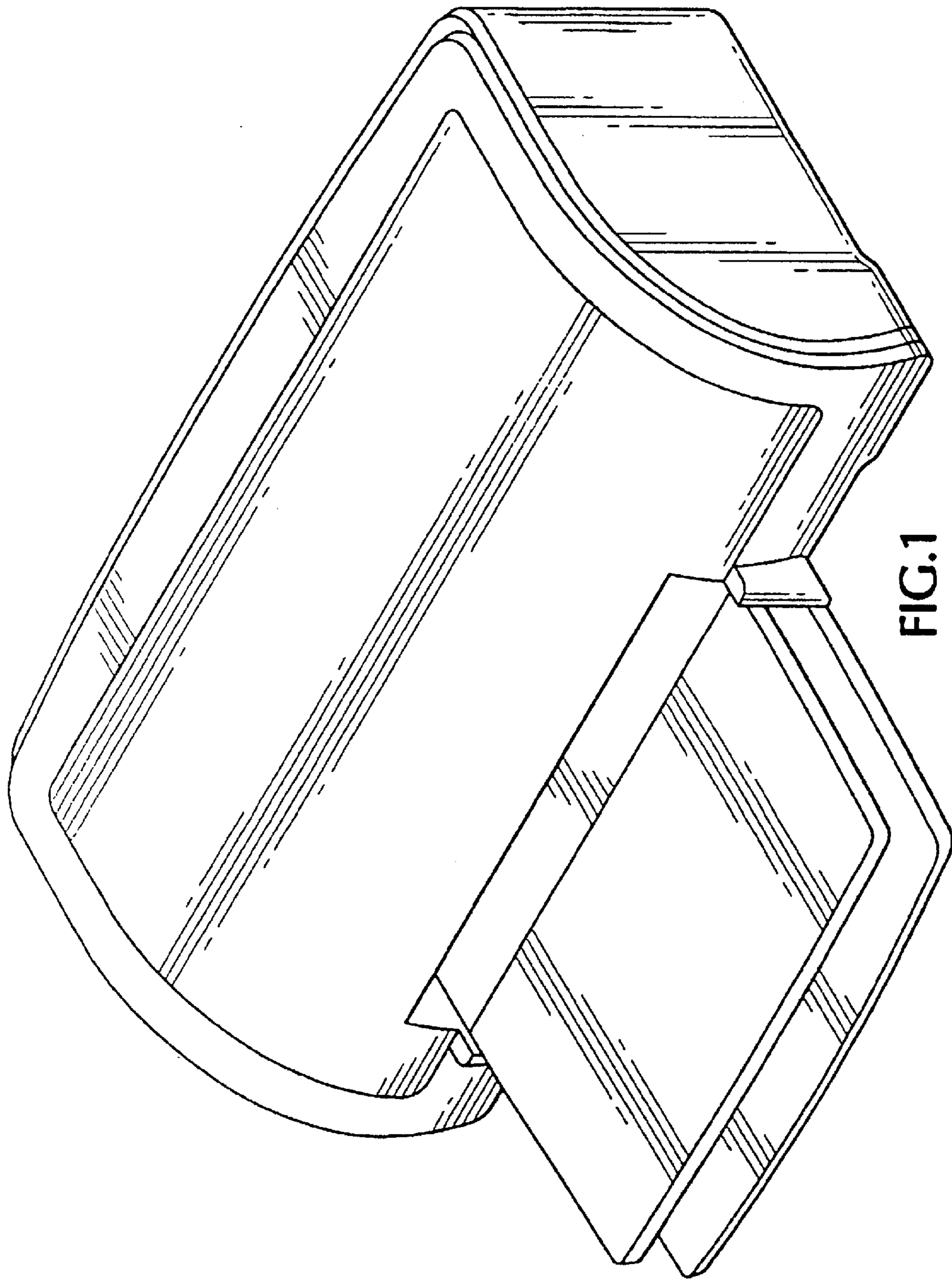


FIG. 1

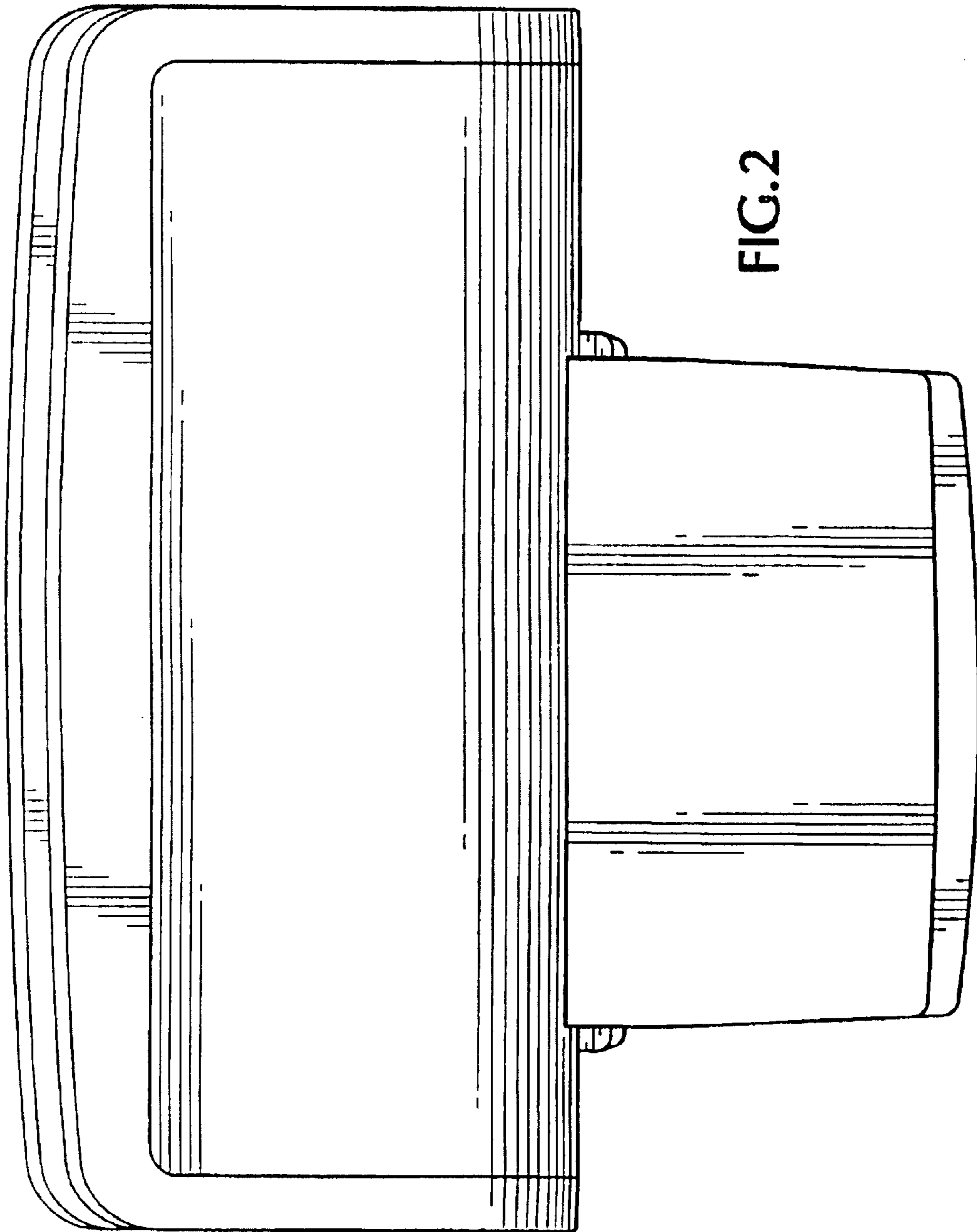


FIG. 2

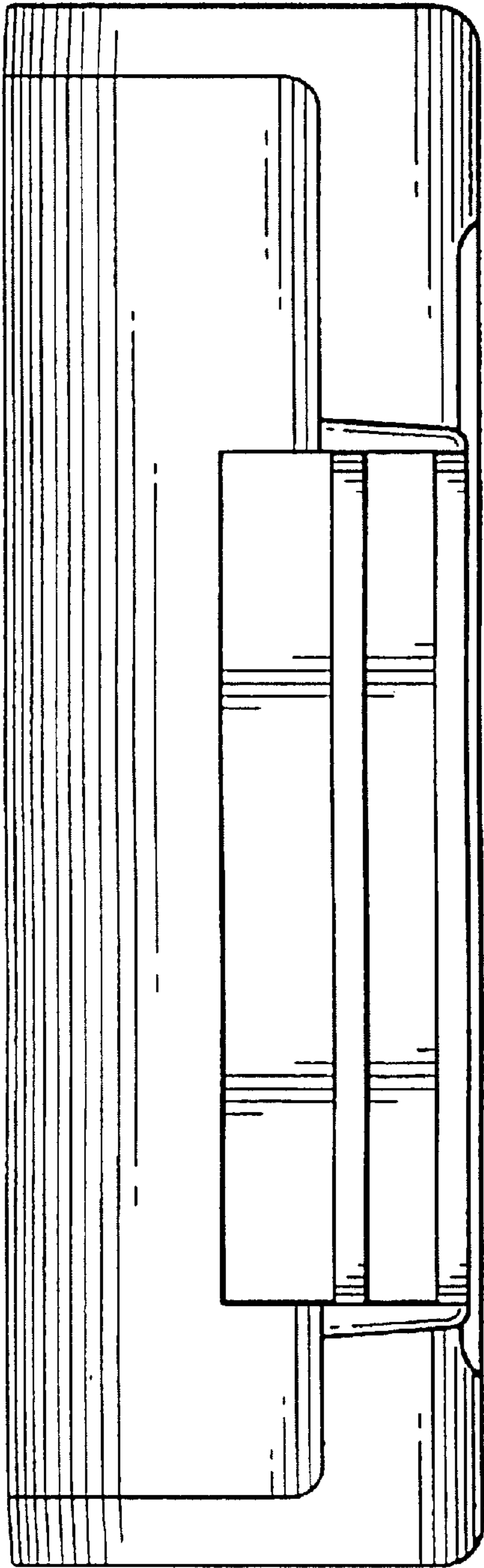


FIG. 3

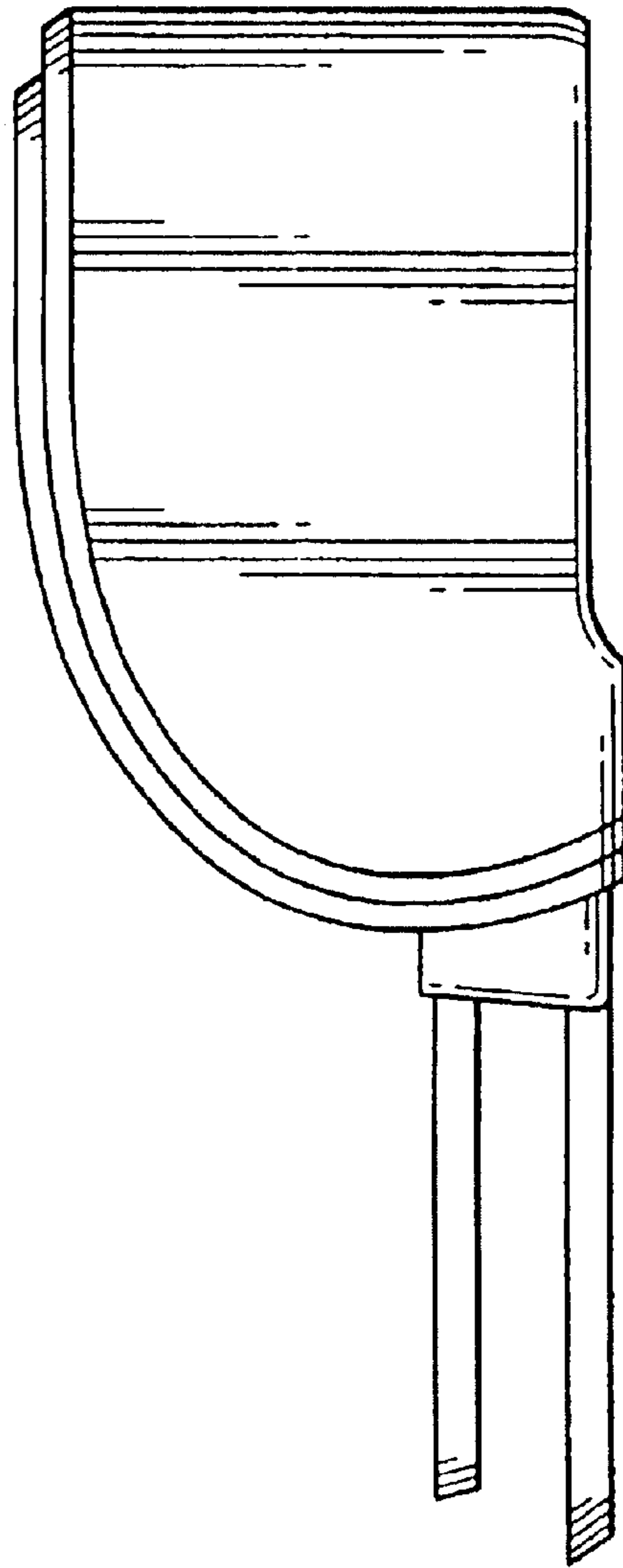


FIG. 4

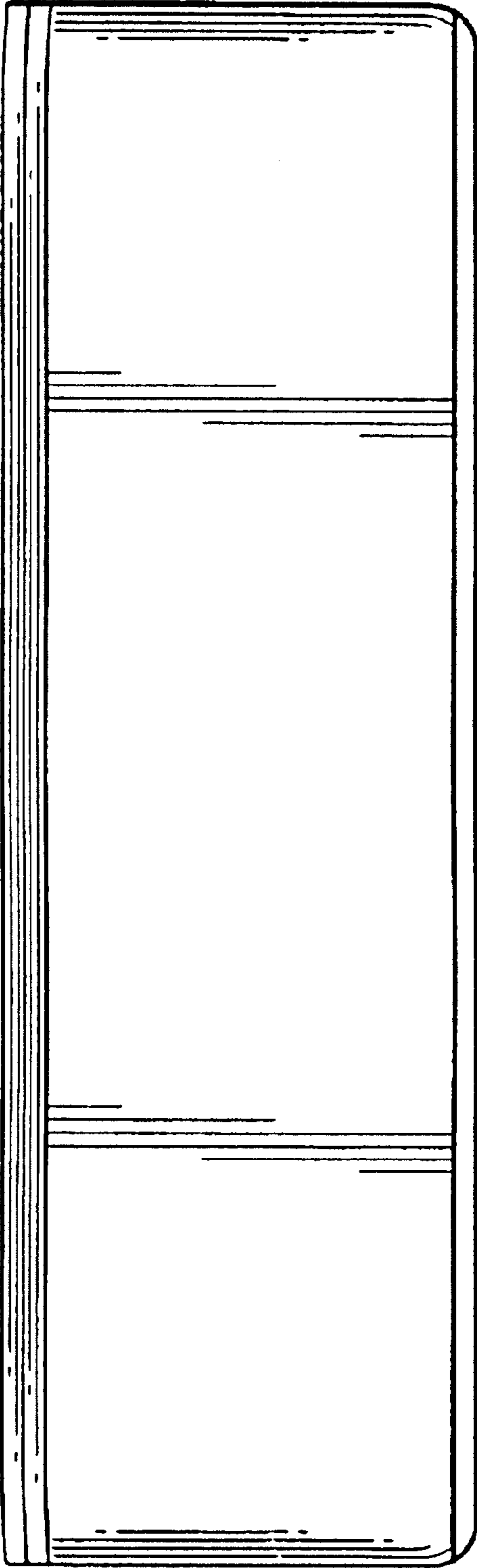


FIG.5

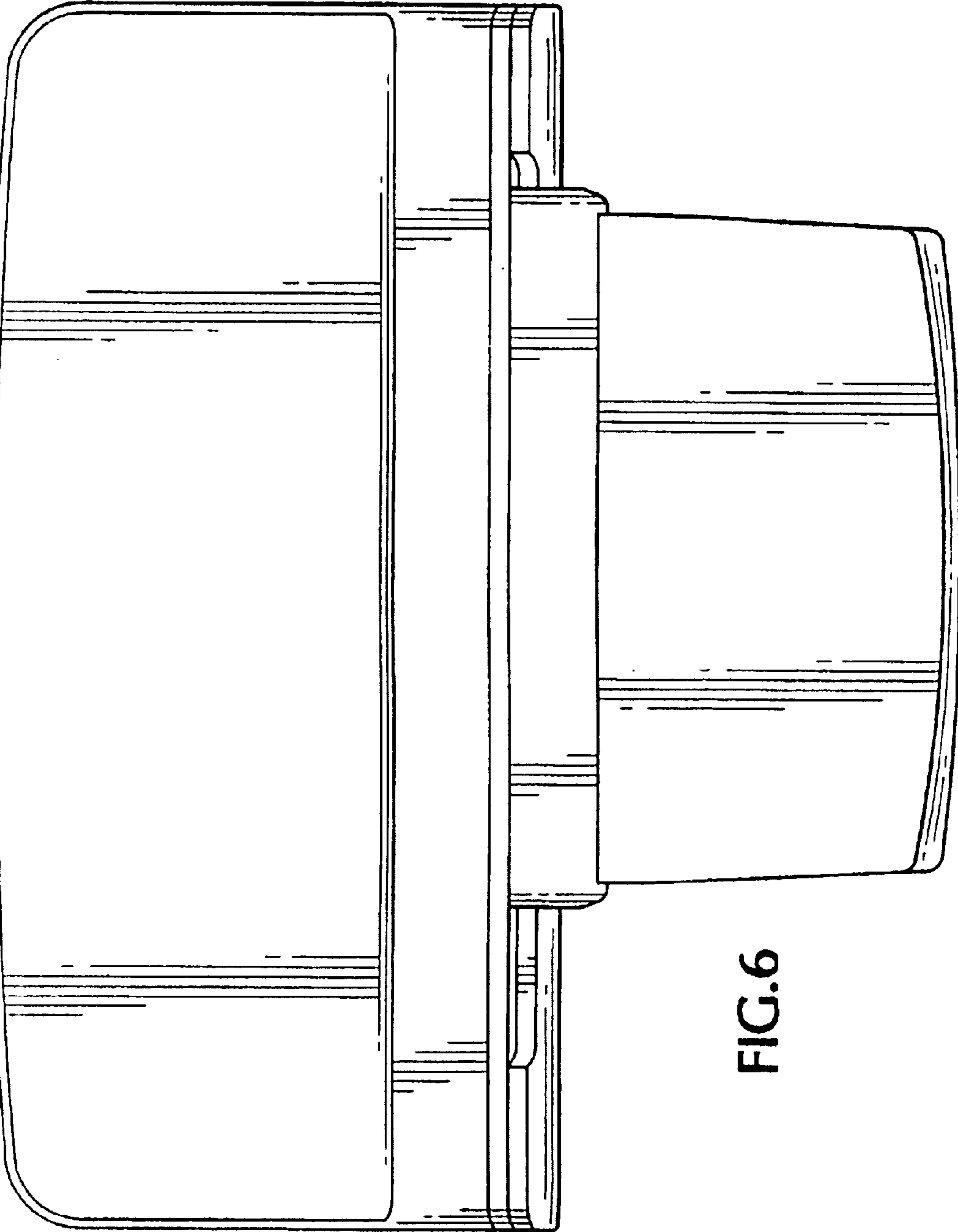


FIG. 6