

US00D524850S

(12) **United States Design Patent**
Hashimoto et al.

(10) **Patent No.:** **US D524,850 S**
(45) **Date of Patent:** **** Jul. 11, 2006**

(54) **TONER CARTRIDGE**

(75) Inventors: **Junichi Hashimoto**, Tokyo (JP);
Takeru Kinoshita, Tokyo (JP); **Takako Hayashi**, Tokyo (JP)

(73) Assignee: **Konica Minolta Business Technologies, Inc.**, Tokyo (JP)

(**) Term: **14 Years**

(21) Appl. No.: **29/237,633**

(22) Filed: **Sep. 6, 2005**

(30) **Foreign Application Priority Data**

Mar. 8, 2005 (JP) 2005-006705
Mar. 8, 2005 (JP) 2005-006706

(51) **LOC (8) Cl.** **16-03**

(52) **U.S. Cl.** **D18/43**

(58) **Field of Classification Search** D18/12,
D18/36, 40, 43, 44, 56; D14/462, 469, 470,
D14/471; 222/DIG. 1; 347/197, 222; 399/24-28,
399/107-112, 119, 121, 122, 222-224; 400/207,
400/208

See application file for complete search history.

(56) **References Cited**

U.S. PATENT DOCUMENTS

D272,251 S * 1/1984 Yoshihama D18/43
5,079,589 A * 1/1992 Shibata et al. 399/119
D332,276 S * 1/1993 Tajima et al. D18/12
D332,277 S * 1/1993 Tajima et al. D18/12

D359,069 S * 6/1995 Komaki et al. D18/43
D361,341 S * 8/1995 Komaki et al. D18/43
D366,276 S * 1/1996 Yasuda D18/43
D375,519 S * 11/1996 Tsumuki D18/43
D399,871 S * 10/1998 Joroku et al. D18/43
D443,295 S * 6/2001 Kusanagi et al. D18/40
D463,817 S * 10/2002 Kunihiro et al. D18/40
D464,369 S * 10/2002 Kunihiro et al. D18/43
6,954,601 B1 * 10/2005 Numagami et al. 399/107
2001/0021320 A1 * 9/2001 Murayama et al. 399/111
2005/0169663 A1 * 8/2005 Shintani et al. 399/111
2005/0207781 A1 * 9/2005 Askren et al. 399/110
2005/0214019 A1 * 9/2005 Abe et al. 399/111

* cited by examiner

Primary Examiner—Caron D. Veynar

Assistant Examiner—Garth Rademaker

(74) *Attorney, Agent, or Firm*—Burns Doane Swecker & Mathis

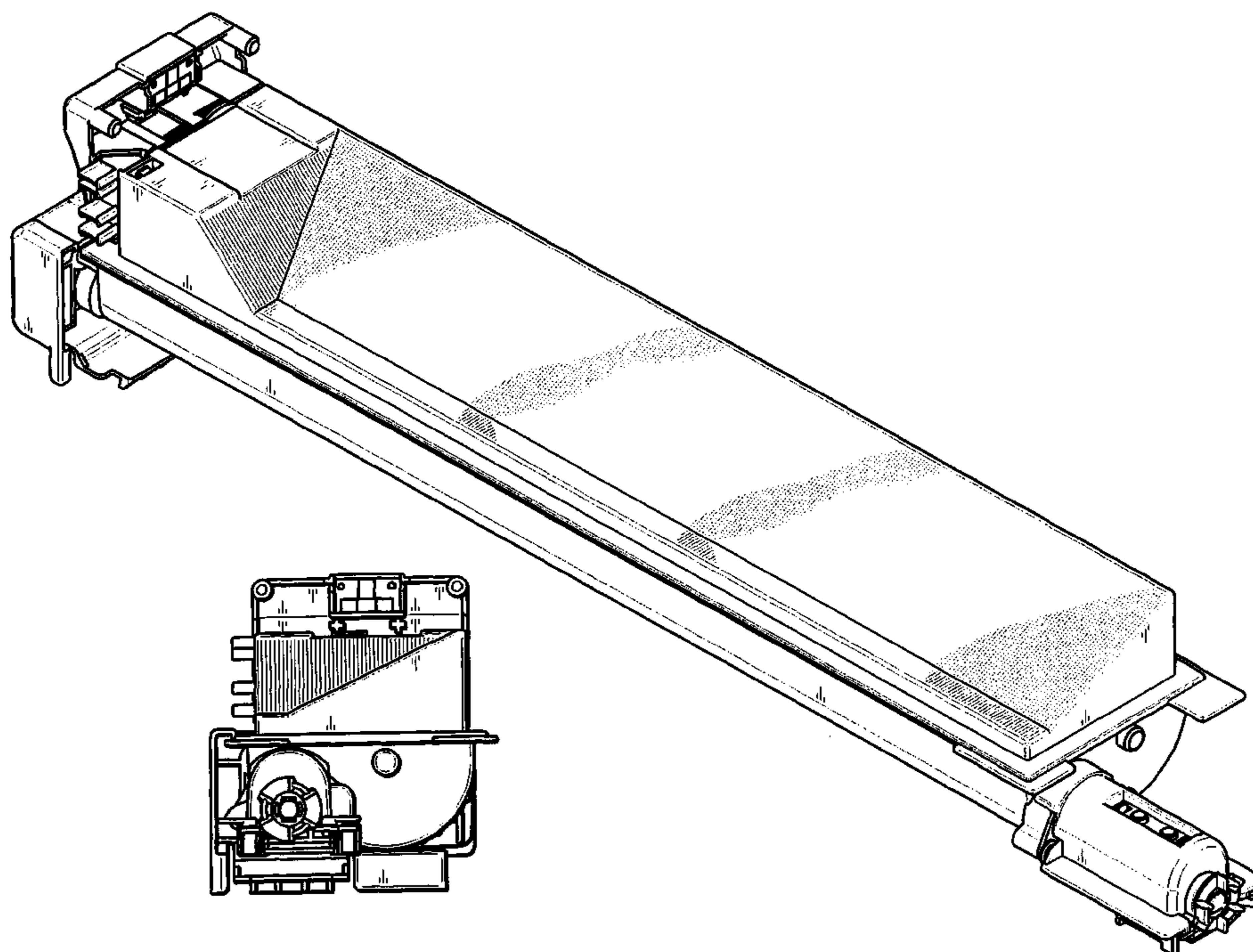
(57) **CLAIM**

The ornamental design for a toner cartridge, as shown.

DESCRIPTION

FIG. 1 is a top, front and right side perspective view of a toner cartridge showing our new design
FIG. 2 is a top, front and left side perspective view thereof;
FIG. 3 is a front elevational view thereof;
FIG. 4 is a rear elevational view thereof;
FIG. 5 is a top plan view thereof;
FIG. 6 is a bottom plan view thereof;
FIG. 7 is a right side elevational view thereof; and,
FIG. 8 is a left side elevational view thereof.

1 Claim, 5 Drawing Sheets



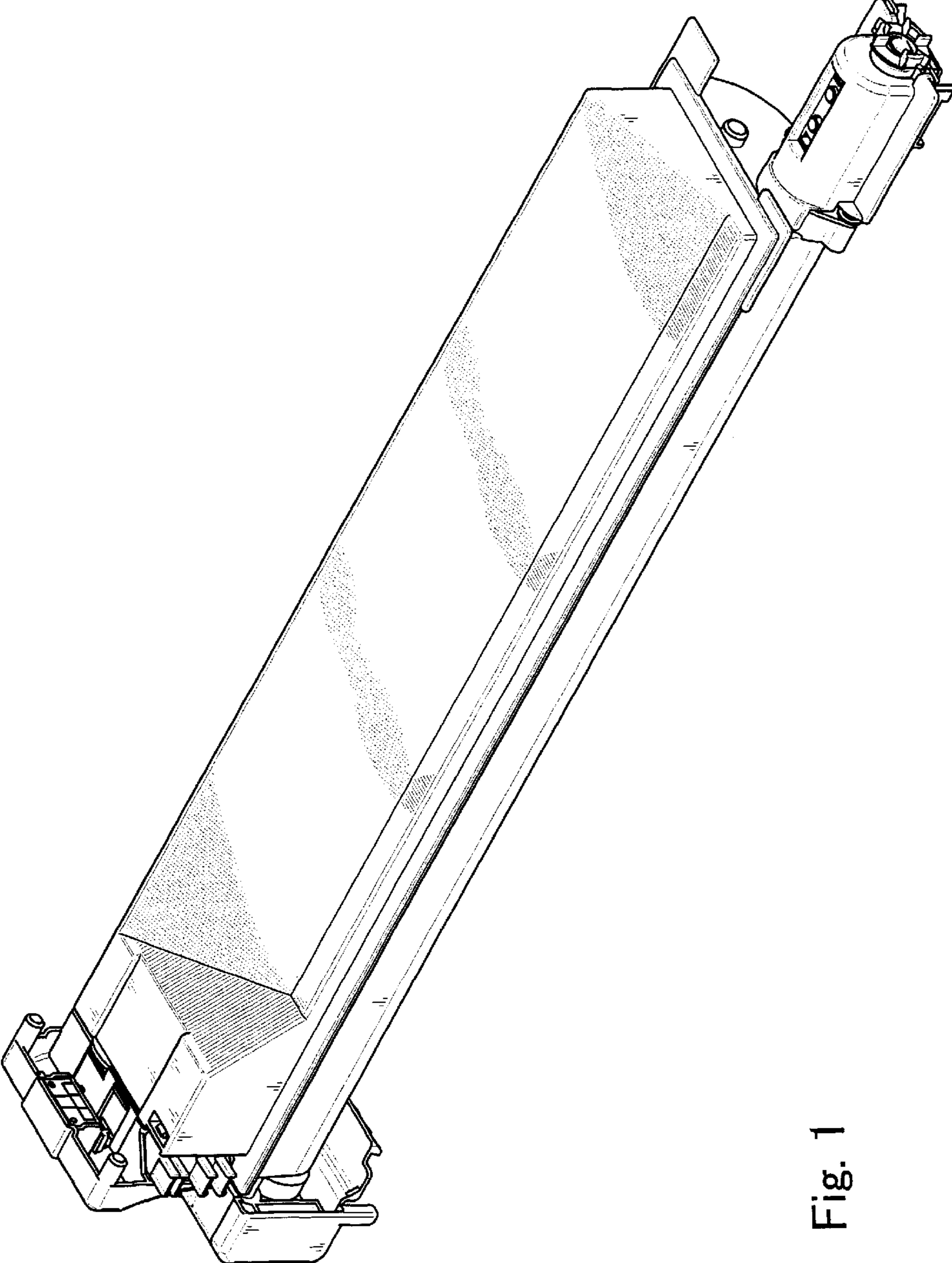


Fig. 1

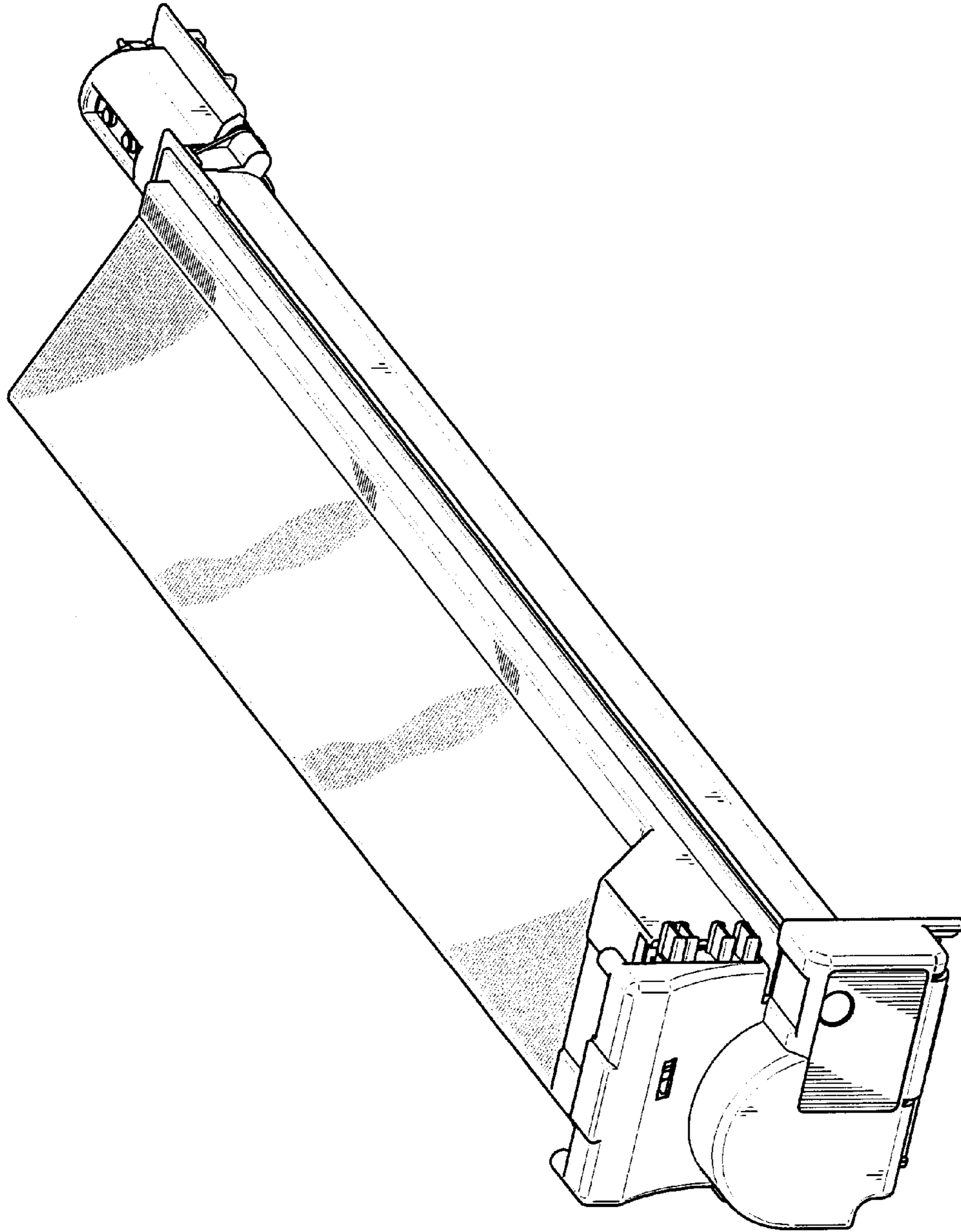


Fig. 2

Fig. 3

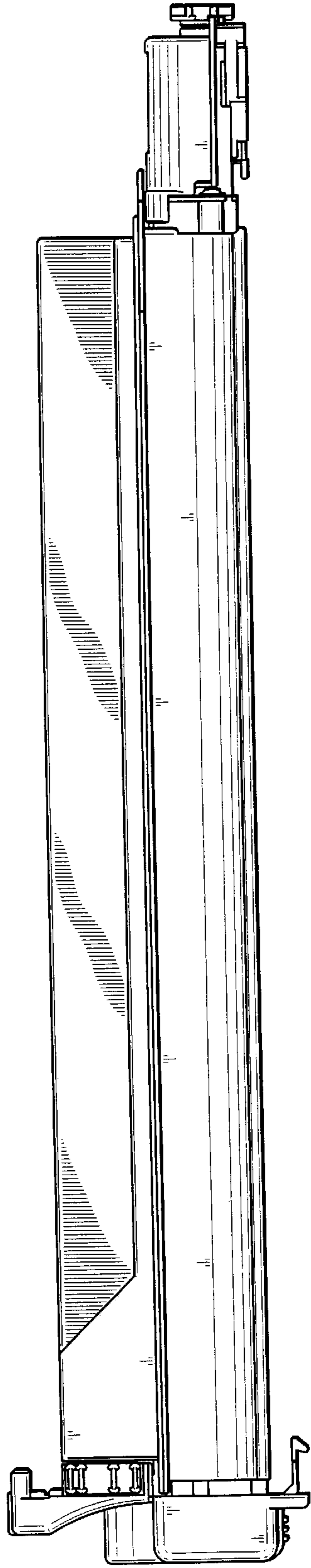
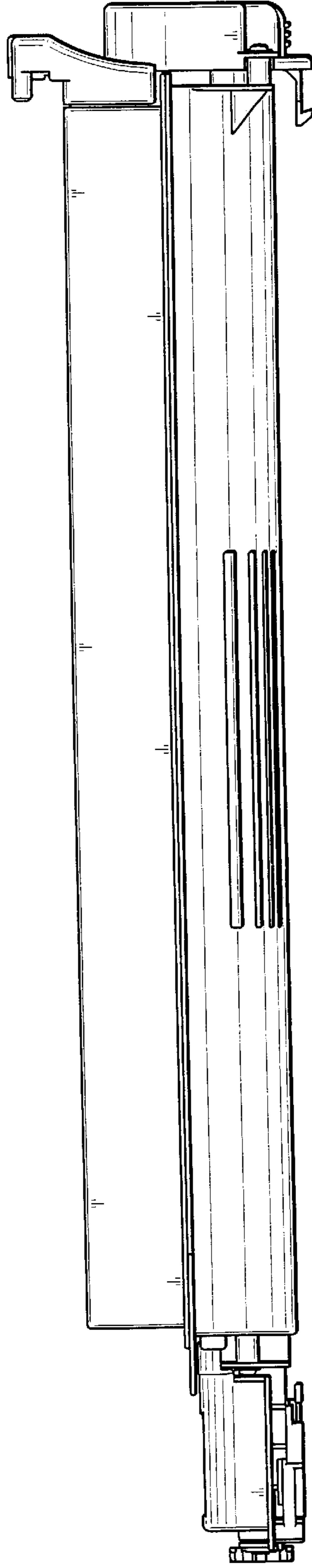


Fig. 4



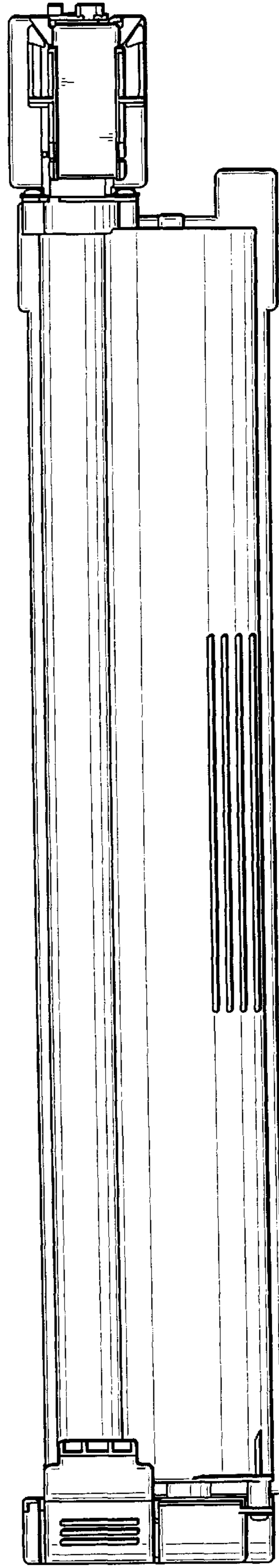
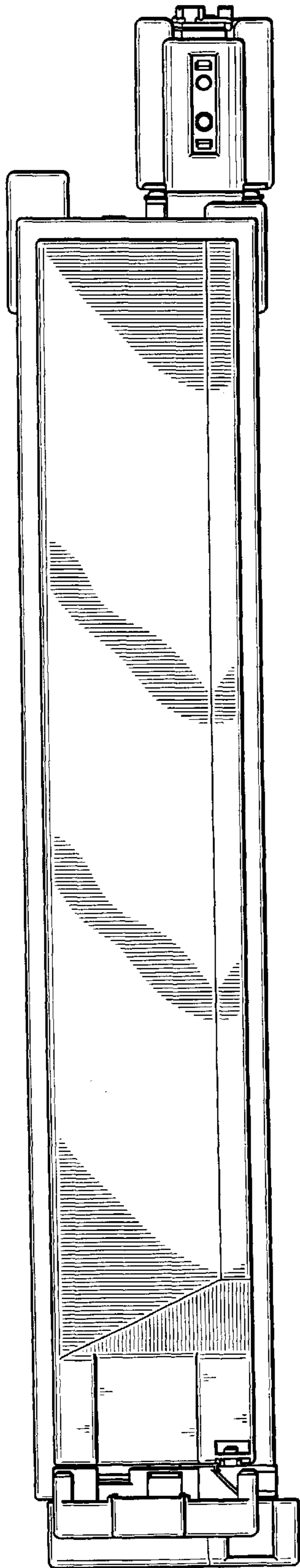


Fig. 8

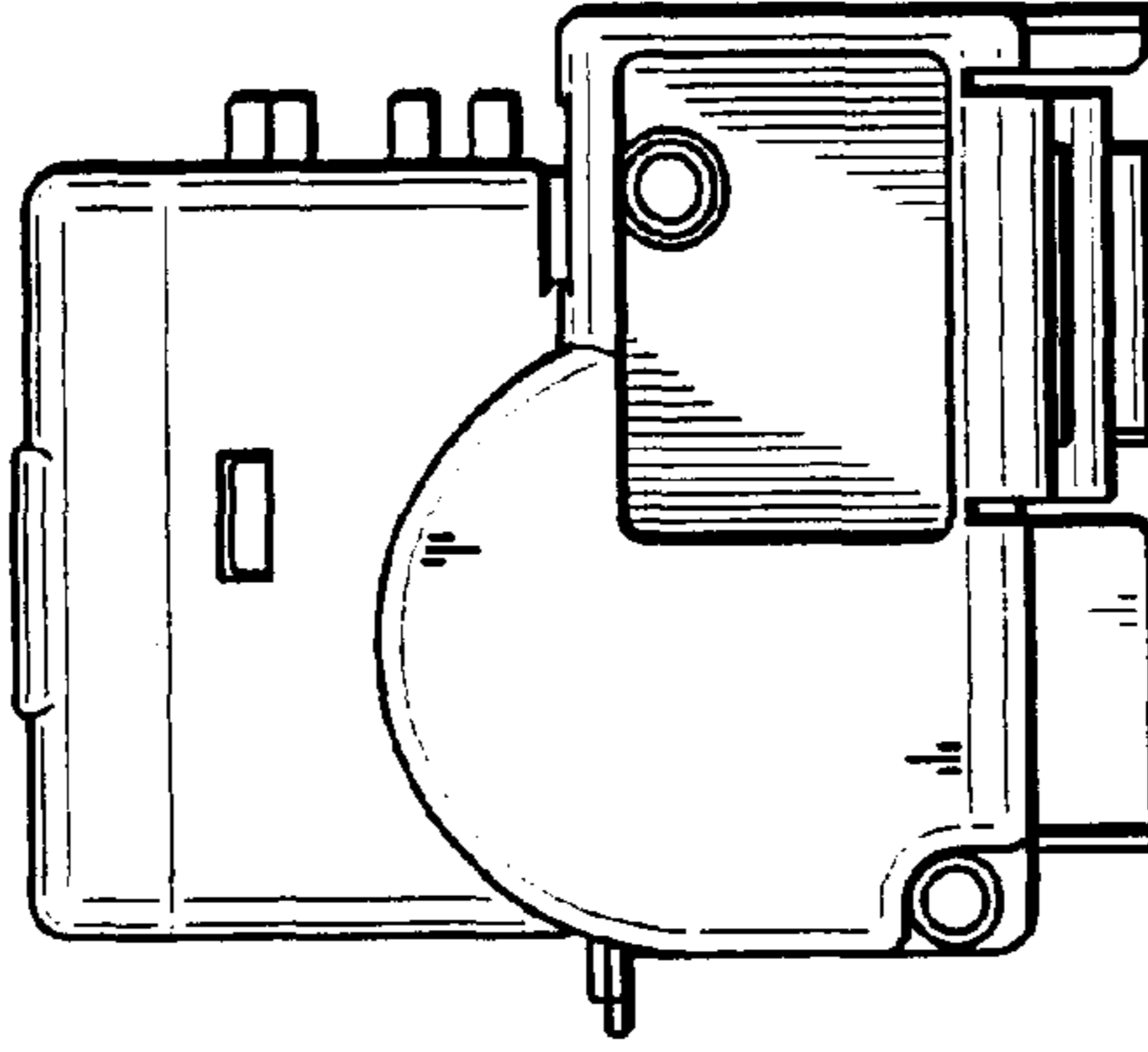


Fig. 7

