

US00D524849S

(12) **United States Design Patent**
Komai

(10) **Patent No.:** **US D524,849 S**
(45) **Date of Patent:** **** Jul. 11, 2006**

(54) **TONER CARTRIDGE**

(75) Inventor: **Yuki Komai**, Osaka (JP)

(73) Assignee: **Kyocera Mita Corporation**, Osaka (JP)

(**) Term: **14 Years**

(21) Appl. No.: **29/228,557**

(22) Filed: **Apr. 26, 2005**

(30) **Foreign Application Priority Data**

Nov. 4, 2004 (JP) 2004-033547

(51) **LOC (8) Cl.** **16-03**

(52) **U.S. Cl.** **D18/43**

(58) **Field of Classification Search** D18/12,
D18/36, 40, 43, 44, 56; D14/462, 469, 470,
D14/471; 222/DIG. 1; 347/197, 222; 399/24-28,
399/107-112, 119, 121, 122, 222-224; 400/207,
400/208

See application file for complete search history.

(56) **References Cited**

U.S. PATENT DOCUMENTS

- D401,618 S * 11/1998 Ikehata D18/43
- D422,303 S * 4/2000 Takeuchi et al. D18/43
- D442,624 S * 5/2001 Maeshima D18/43
- 6,259,874 B1 * 7/2001 Murakami et al. 399/119
- D447,168 S * 8/2001 Nishimura D18/43
- D450,080 S * 11/2001 Ashikari D18/40
- D451,538 S * 12/2001 Schwamkrug et al. D18/40

- D471,582 S * 3/2003 Mori D18/40
- 6,788,912 B1 * 9/2004 Isomura et al. 222/DIG. 1
- D502,730 S * 3/2005 Miyagawa D18/40

* cited by examiner

Primary Examiner—Cathron C. Brooks

Assistant Examiner—Garth Rademaker

(74) *Attorney, Agent, or Firm*—Shinju Global IP Counselors

(57) **CLAIM**

The ornamental design for a toner cartridge, as shown and described.

DESCRIPTION

FIG. 1 is a top side perspective view of a toner cartridge in accordance with my new design;

FIG. 2 is a bottom side perspective view of the toner cartridge in accordance with my new design;

FIG. 3 is a top plan view of the toner cartridge in accordance with my new design;

FIG. 4 is a bottom plan view of the toner cartridge in accordance with my new design;

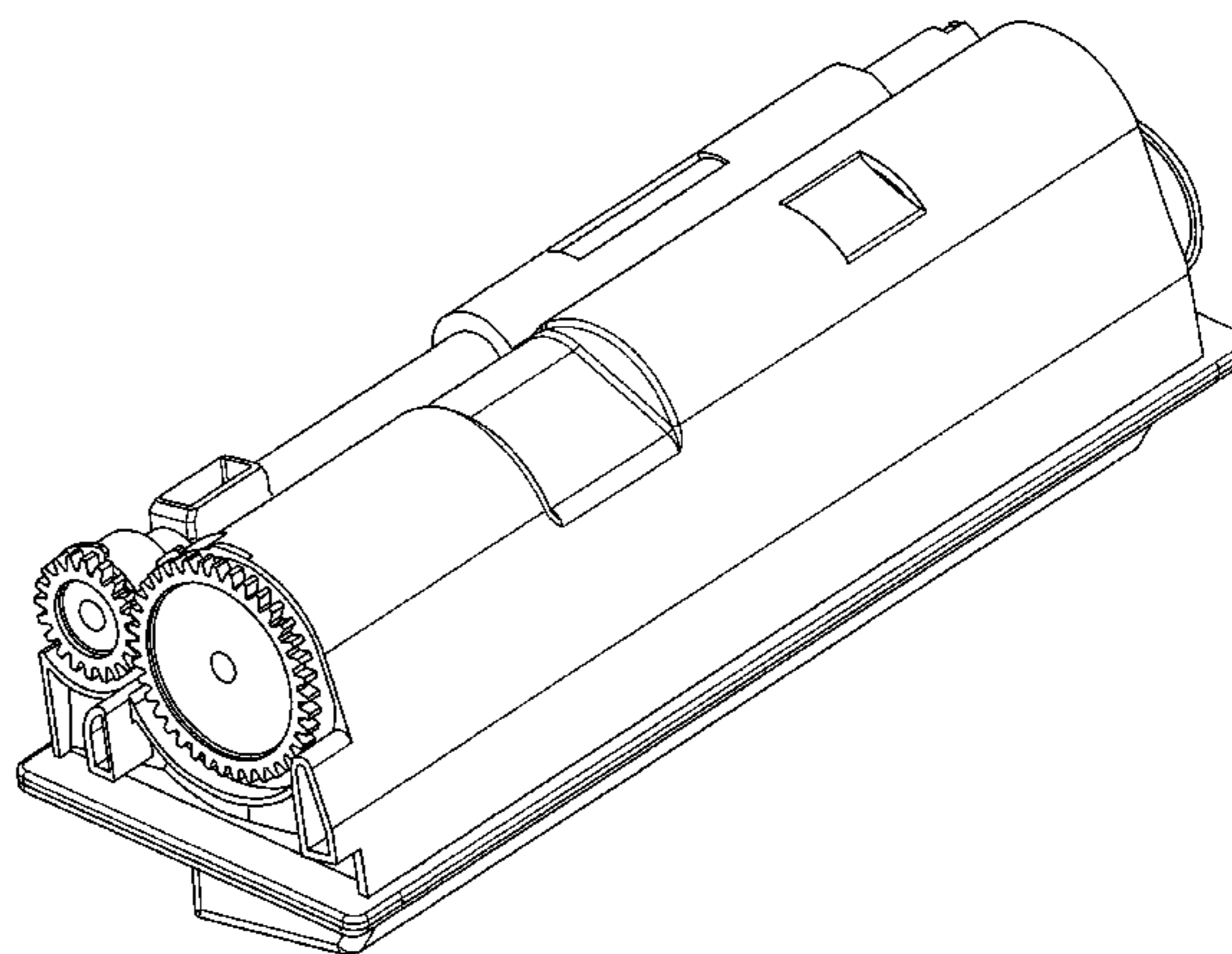
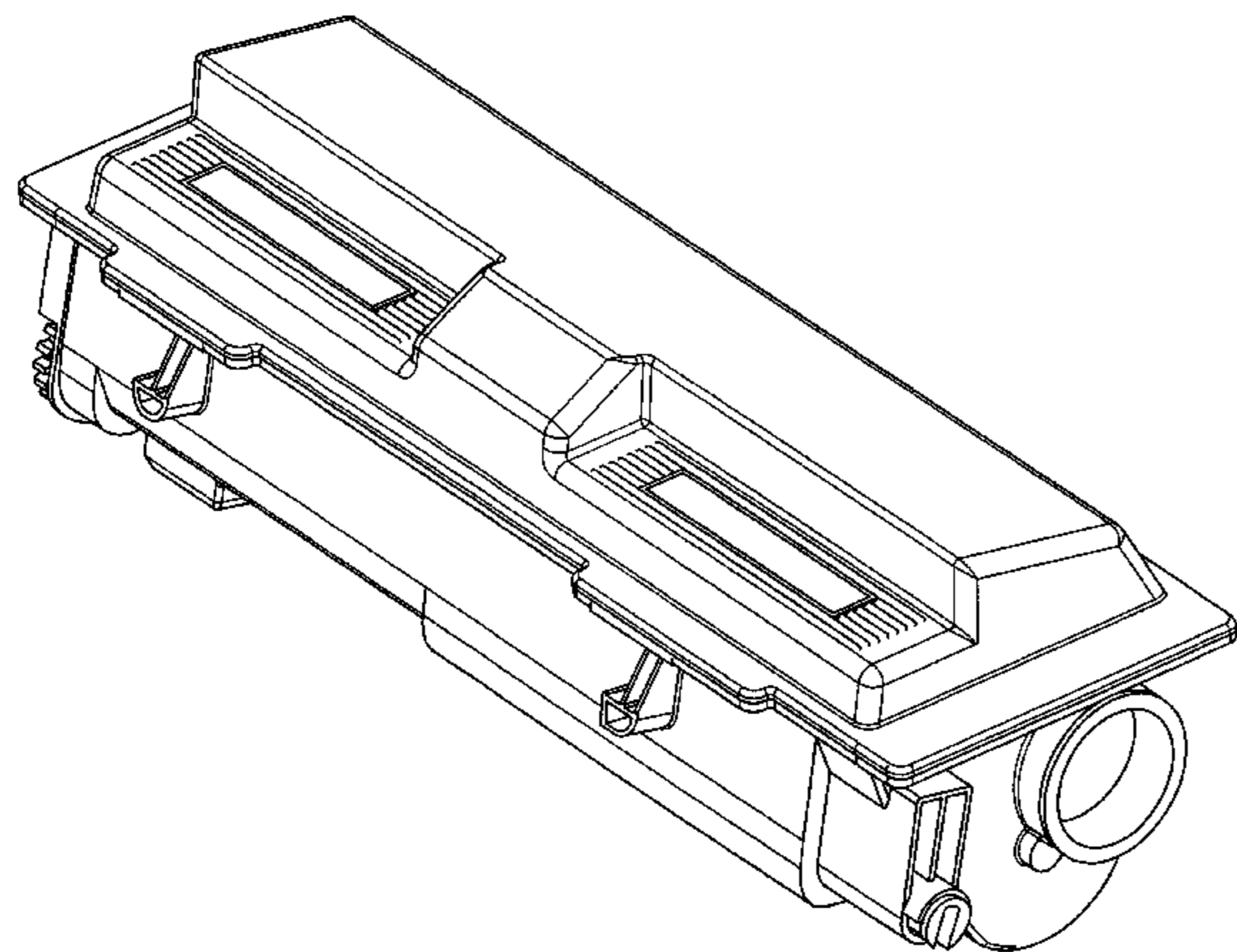
FIG. 5 is a front elevational view of the toner cartridge in accordance with my new design;

FIG. 6 is a rear side elevational view of the toner cartridge in accordance with my new design;

FIG. 7 is a left side end elevational view of the toner cartridge in accordance with my new design; and,

FIG. 8 is a right side end elevational view of the toner cartridge in accordance with my new design.

1 Claim, 7 Drawing Sheets



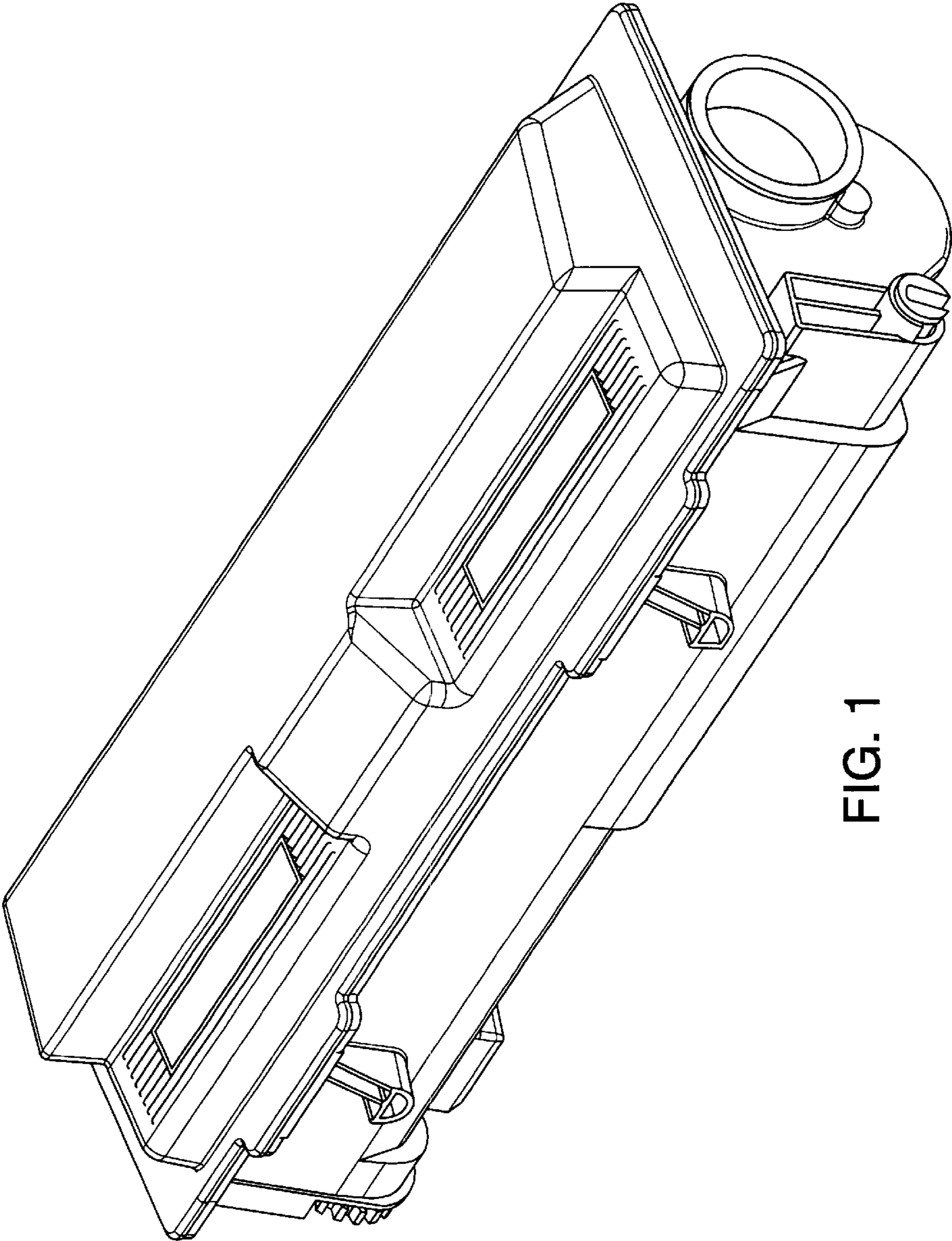


FIG. 1

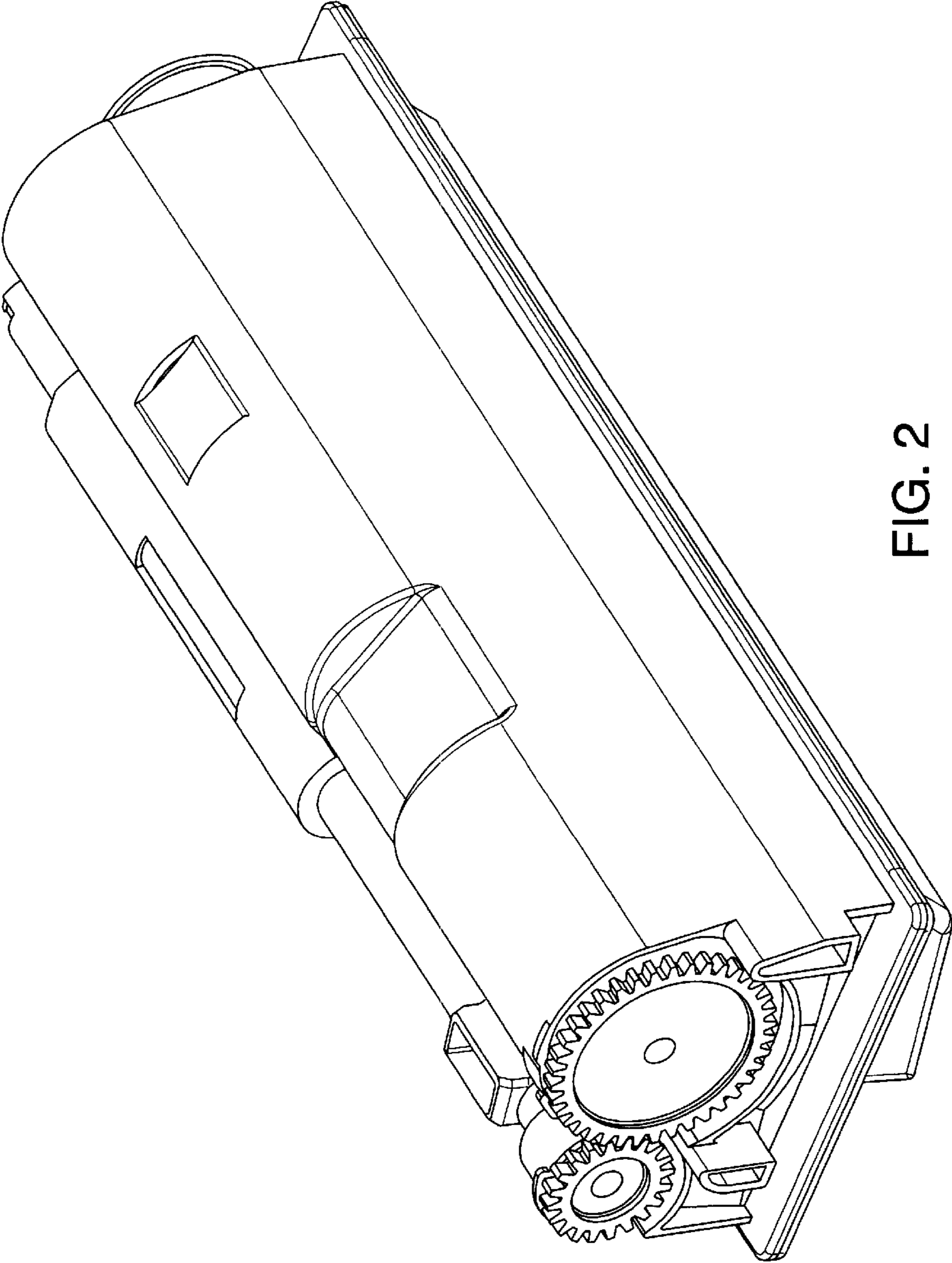


FIG. 2

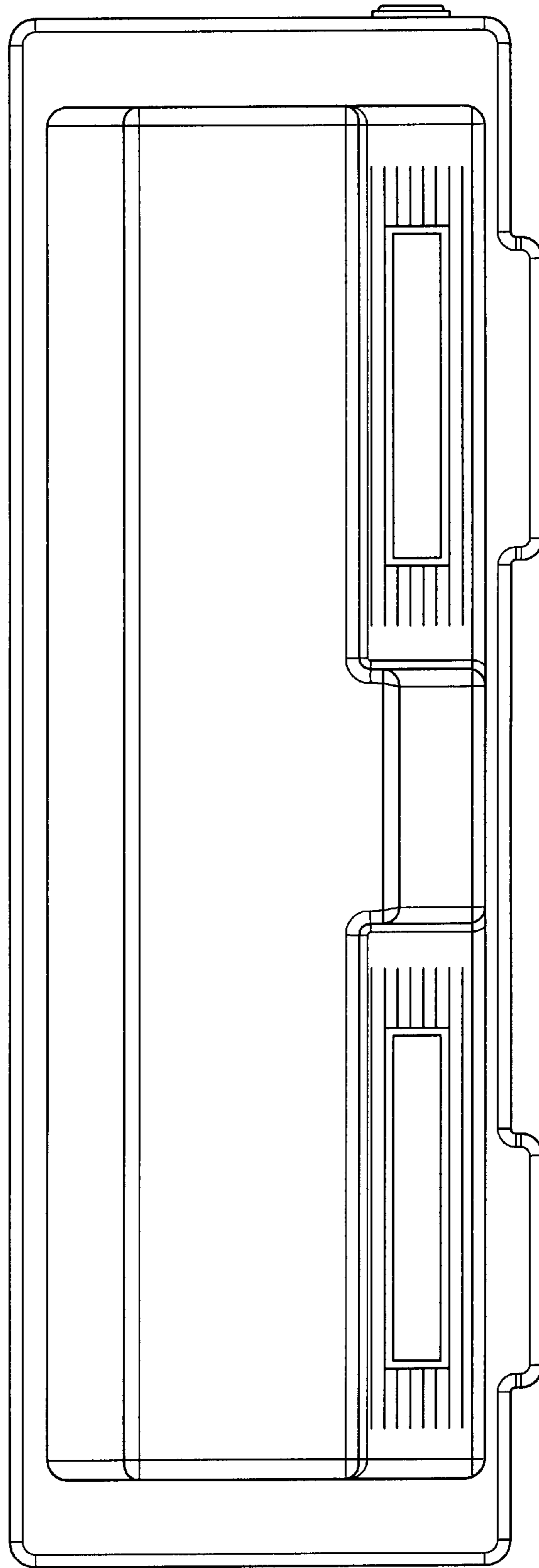


FIG. 3

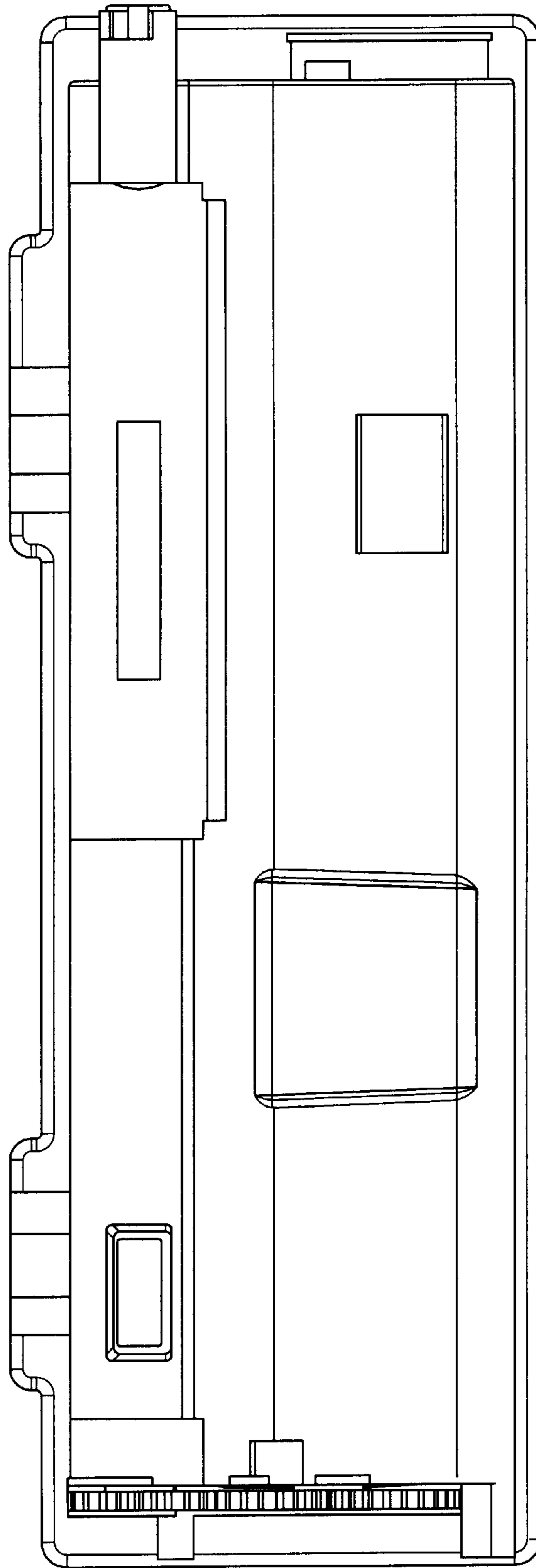


FIG. 4

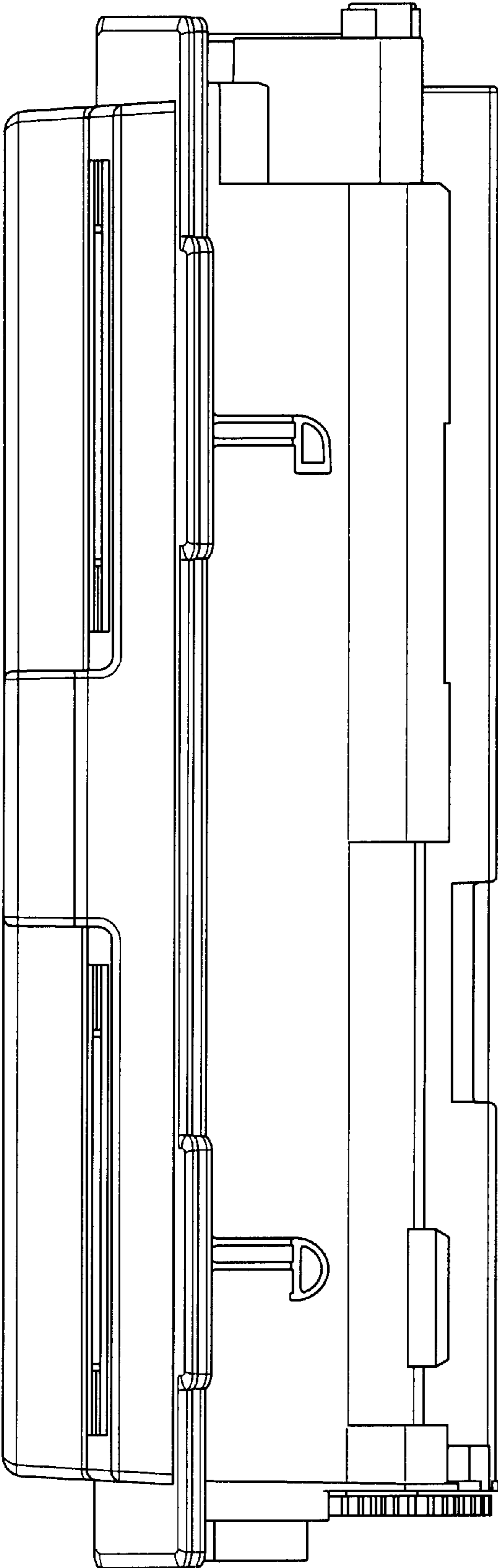


FIG. 5

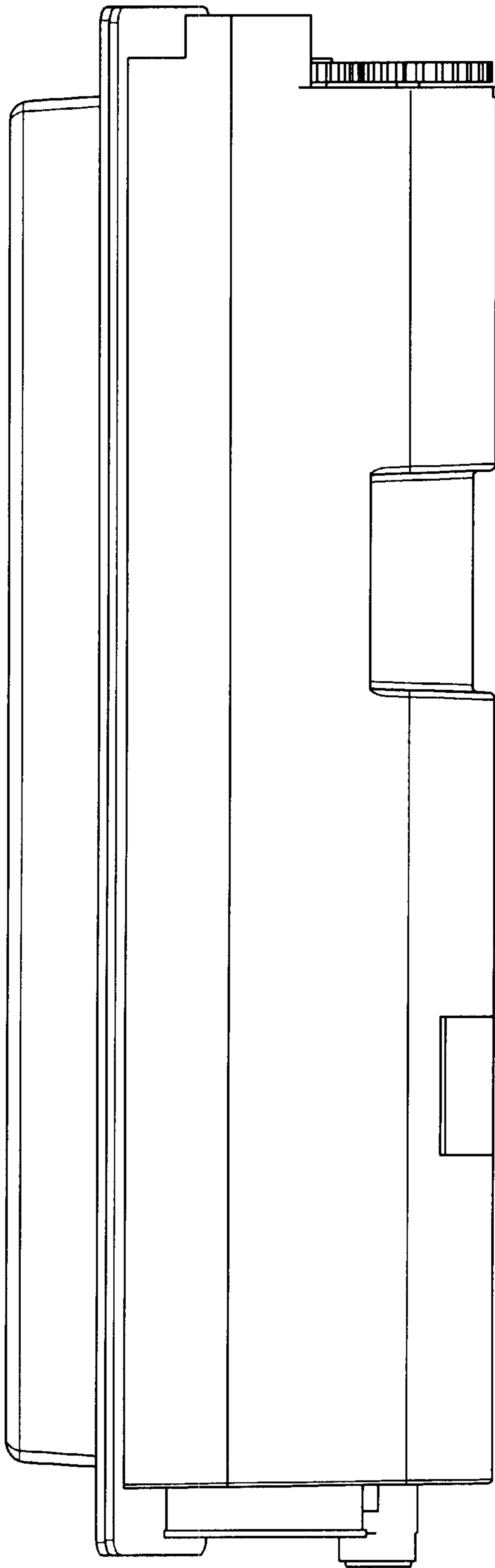


FIG. 6

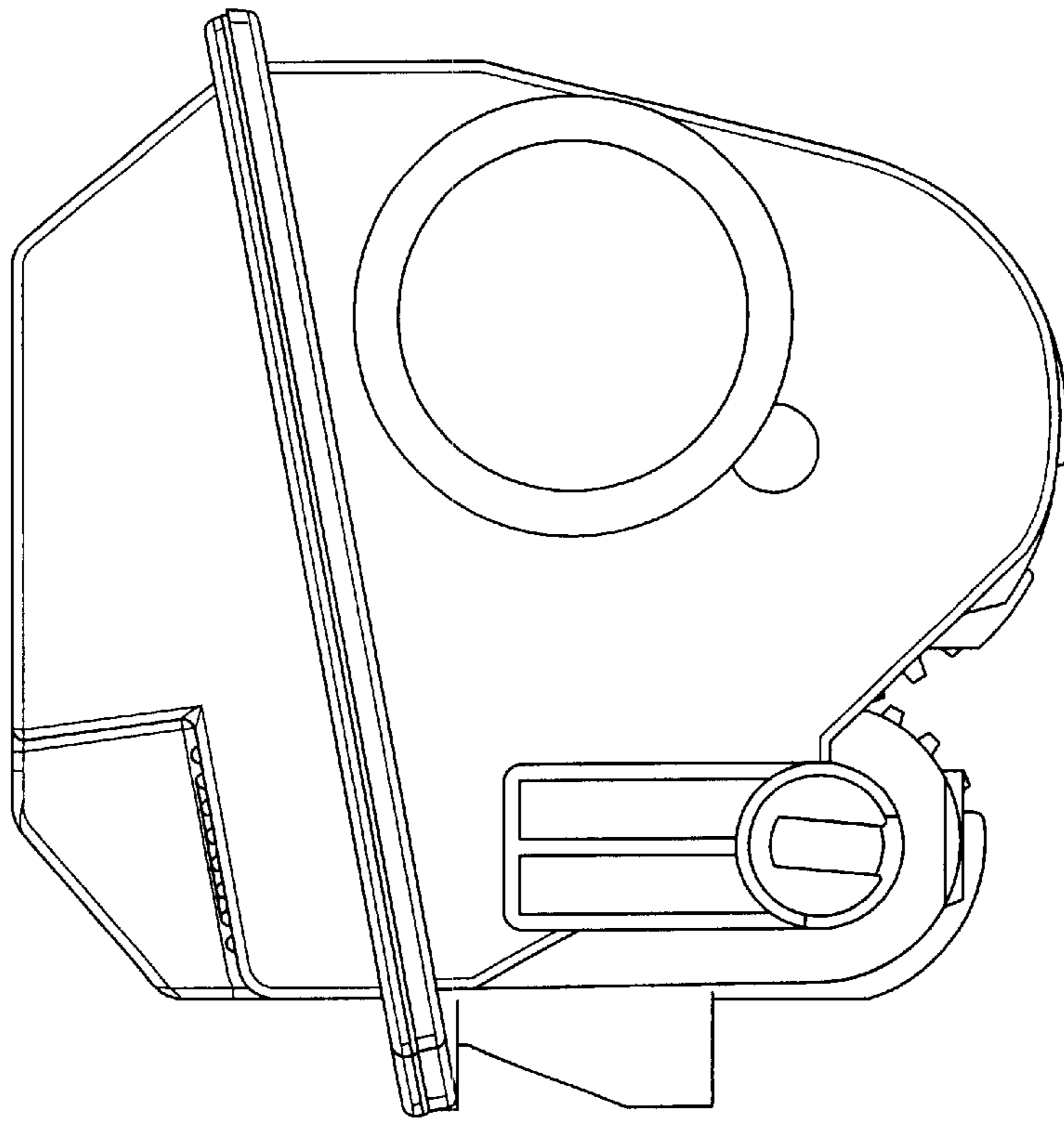


FIG. 8

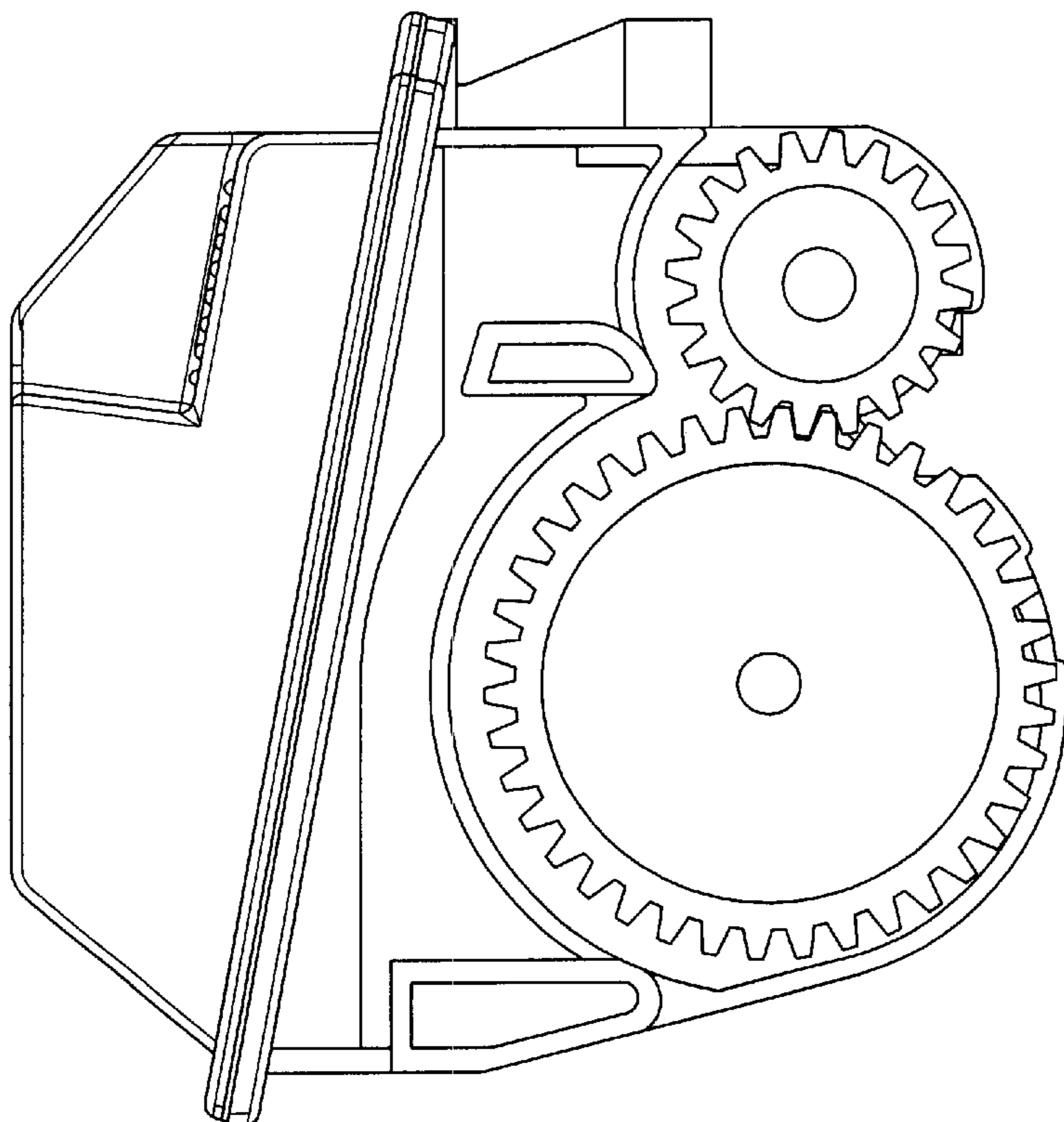


FIG. 7