



US00D524848S

(12) **United States Design Patent**  
**Murata**

(10) **Patent No.:** **US D524,848 S**

(45) **Date of Patent:** **\*\* Jul. 11, 2006**

(54) **TONER CARTRIDGE**

D502,730 S \* 3/2005 Miyagawa ..... D18/40

(75) Inventor: **Koji Murata**, Osaka (JP)

\* cited by examiner

(73) Assignee: **Kyocera Mita Corporation**, Osaka (JP)

*Primary Examiner*—Cathron C. Brooks

*Assistant Examiner*—Garth Rademaker

(\*\*) Term: **14 Years**

(74) *Attorney, Agent, or Firm*—Shinju Global IP Counselors

(21) Appl. No.: **29/220,617**

(57) **CLAIM**

(22) Filed: **Jan. 5, 2005**

The ornamental design for a toner cartridge, as shown and described.

(30) **Foreign Application Priority Data**

**DESCRIPTION**

Jul. 7, 2004 (JP) ..... 2004-020535

(51) **LOC (8) Cl.** ..... **16-03**

(52) **U.S. Cl.** ..... **D18/43**

(58) **Field of Classification Search** ..... D18/12,  
D18/36, 40, 43, 44, 56; D14/462, 469, 470,  
D14/471; 222/DIG. 1; 347/197, 222; 399/24–28,  
399/107–112, 119, 121, 122, 222–224; 400/207,  
400/208

See application file for complete search history.

FIG. 1 is a top front side perspective view of a toner cartridge in accordance with my new design;

FIG. 2 is a top rear side perspective view of the toner cartridge in accordance with my new design;

FIG. 3 is a bottom front side perspective view of the toner cartridge in accordance with my new design;

FIG. 4 is a bottom rear side perspective view of the toner cartridge in accordance with my new design;

FIG. 5 is a top plan view of the toner cartridge in accordance with my new design;

FIG. 6 is a front elevational view of the toner cartridge in accordance with my new design;

FIG. 7 is a left side end elevational view of the toner cartridge in accordance with my new design;

FIG. 8 is a right side end elevational view of the toner cartridge in accordance with my new design;

FIG. 9 is a rear side elevational view of the toner cartridge in accordance with my new design; and,

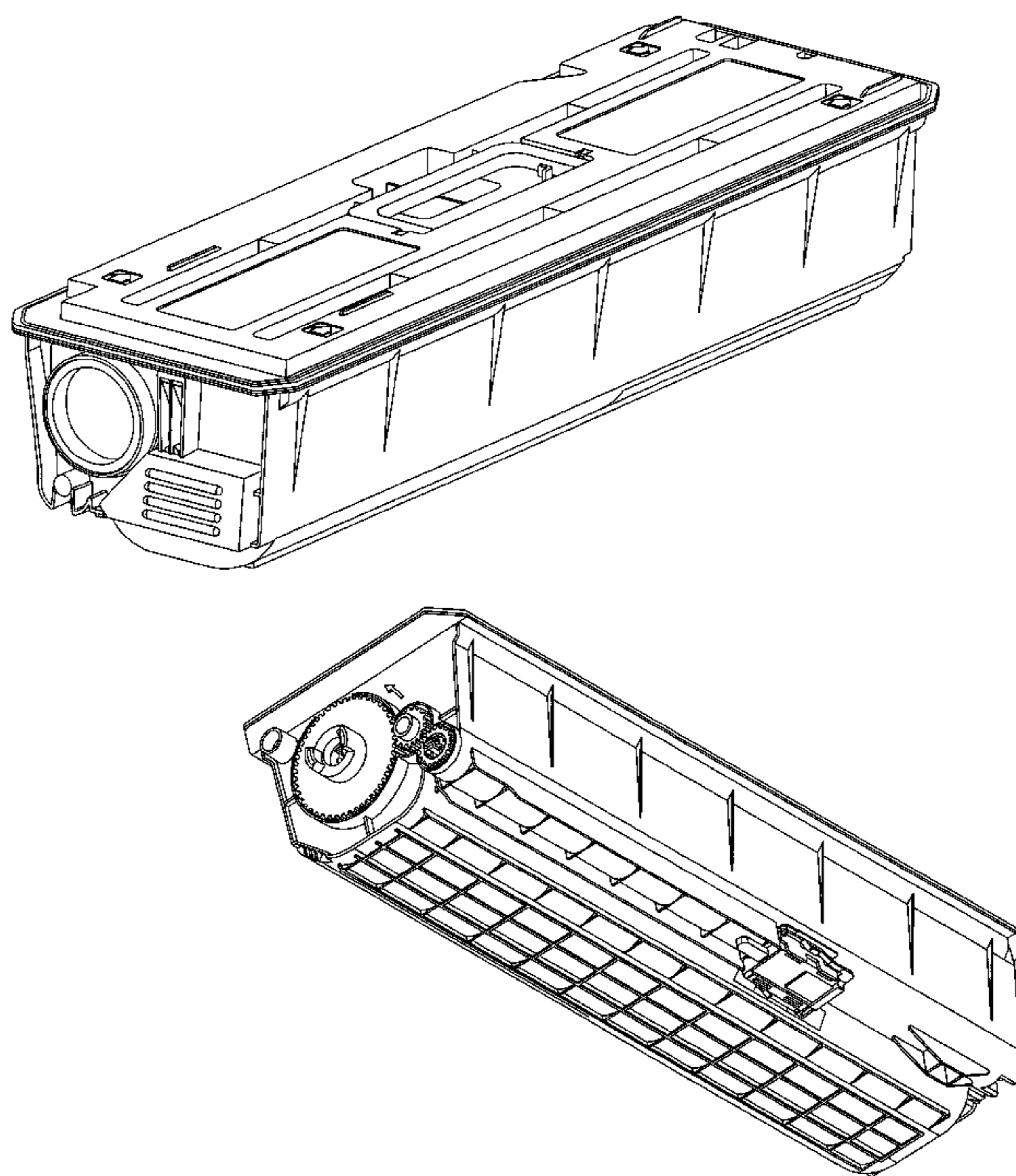
FIG. 10 is a bottom plan view of the toner cartridge in accordance with my new design.

(56) **References Cited**

**U.S. PATENT DOCUMENTS**

D401,618 S \* 11/1998 Ikehata ..... D18/43  
D422,303 S \* 4/2000 Takeuchi et al. .... D18/43  
D442,624 S \* 5/2001 Maeshima ..... D18/43  
6,259,874 B1 \* 7/2001 Murakami et al. .... 399/119  
D447,168 S \* 8/2001 Nishimura ..... D18/43  
D450,080 S \* 11/2001 Ashikari ..... D18/40  
D451,538 S \* 12/2001 Schwamkrug et al. .... D18/40  
D471,582 S \* 3/2003 Mori ..... D18/40  
6,788,912 B1 \* 9/2004 Isomura et al. .... 222/DIG. 1

**1 Claim, 7 Drawing Sheets**



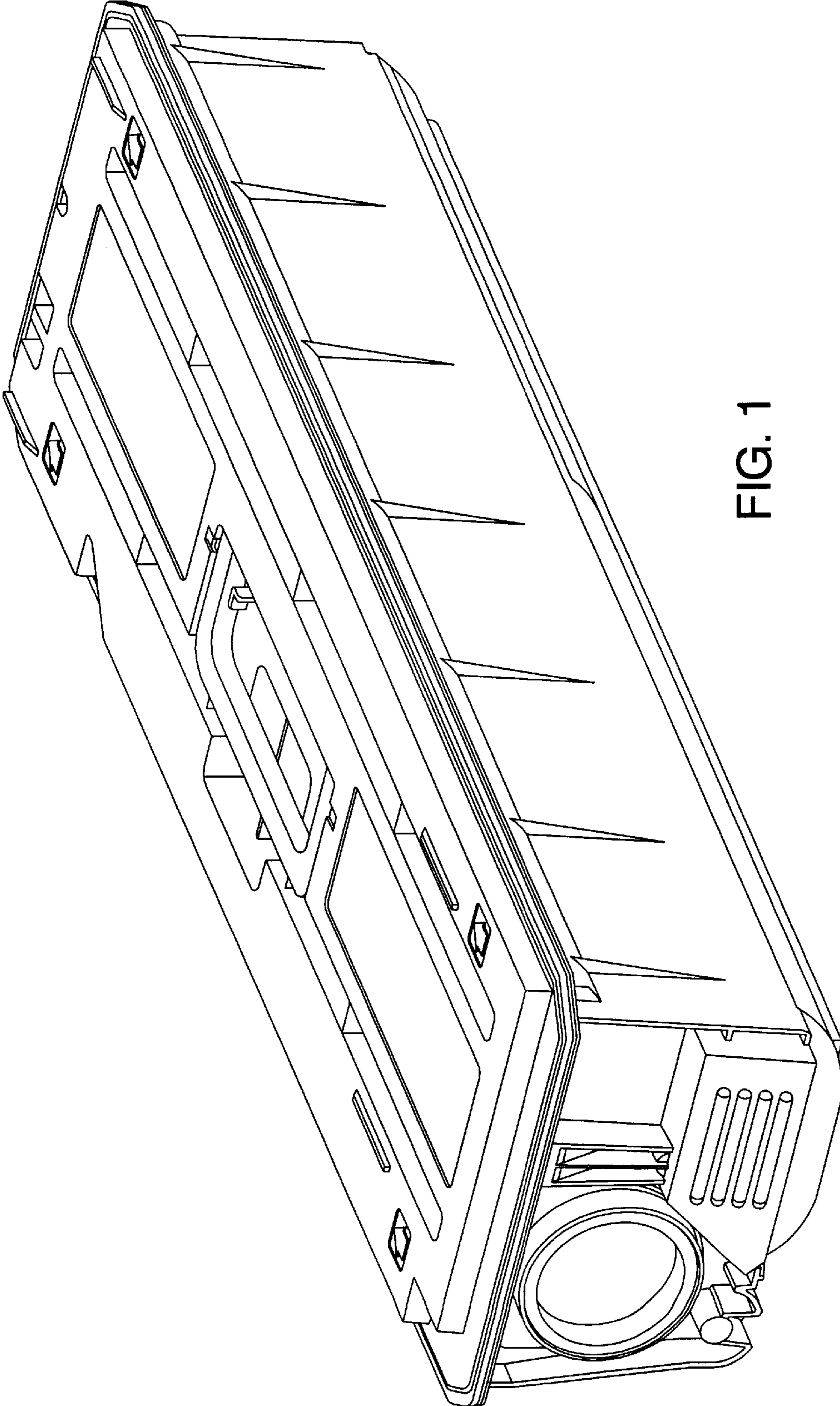


FIG. 1



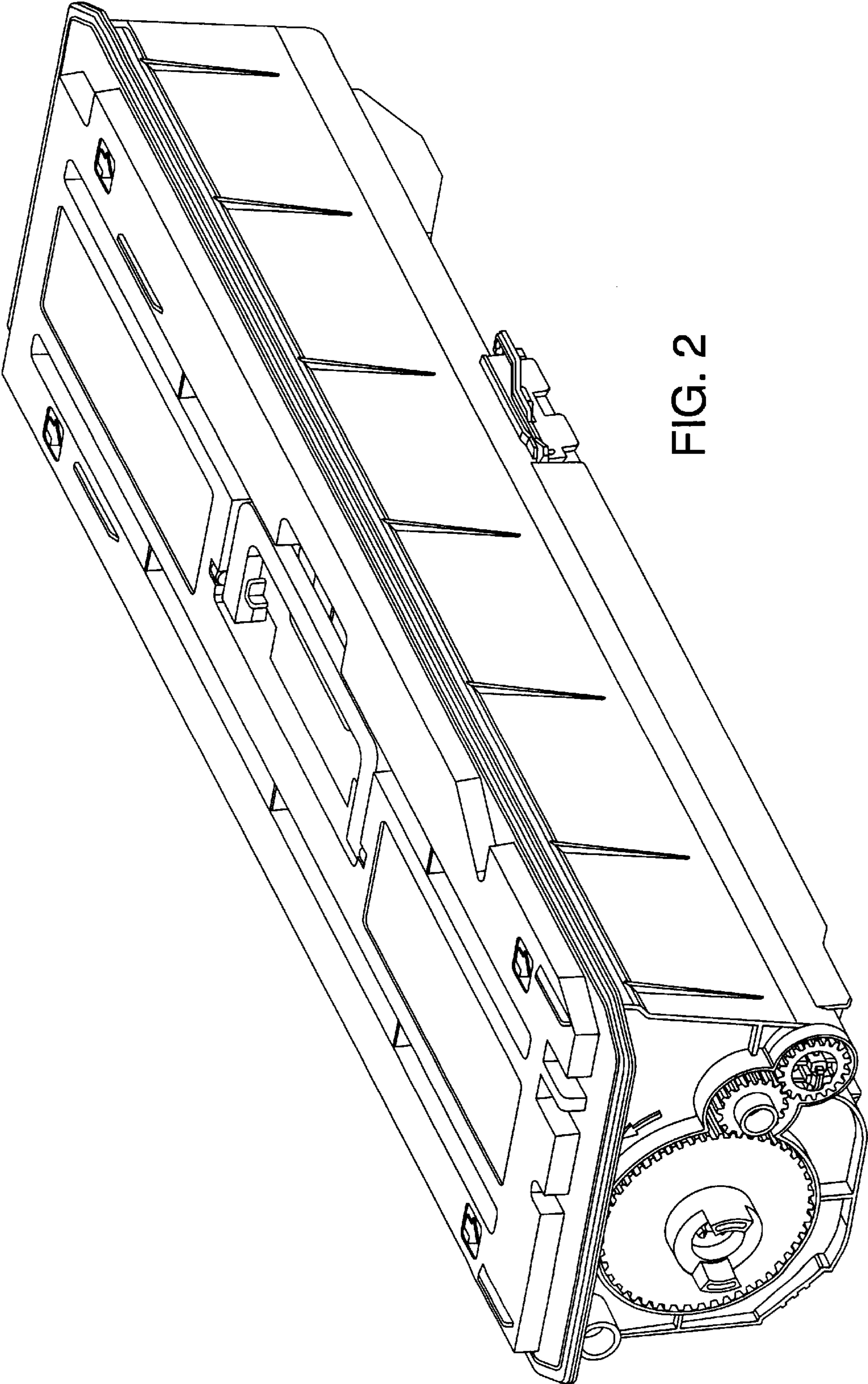


FIG. 2

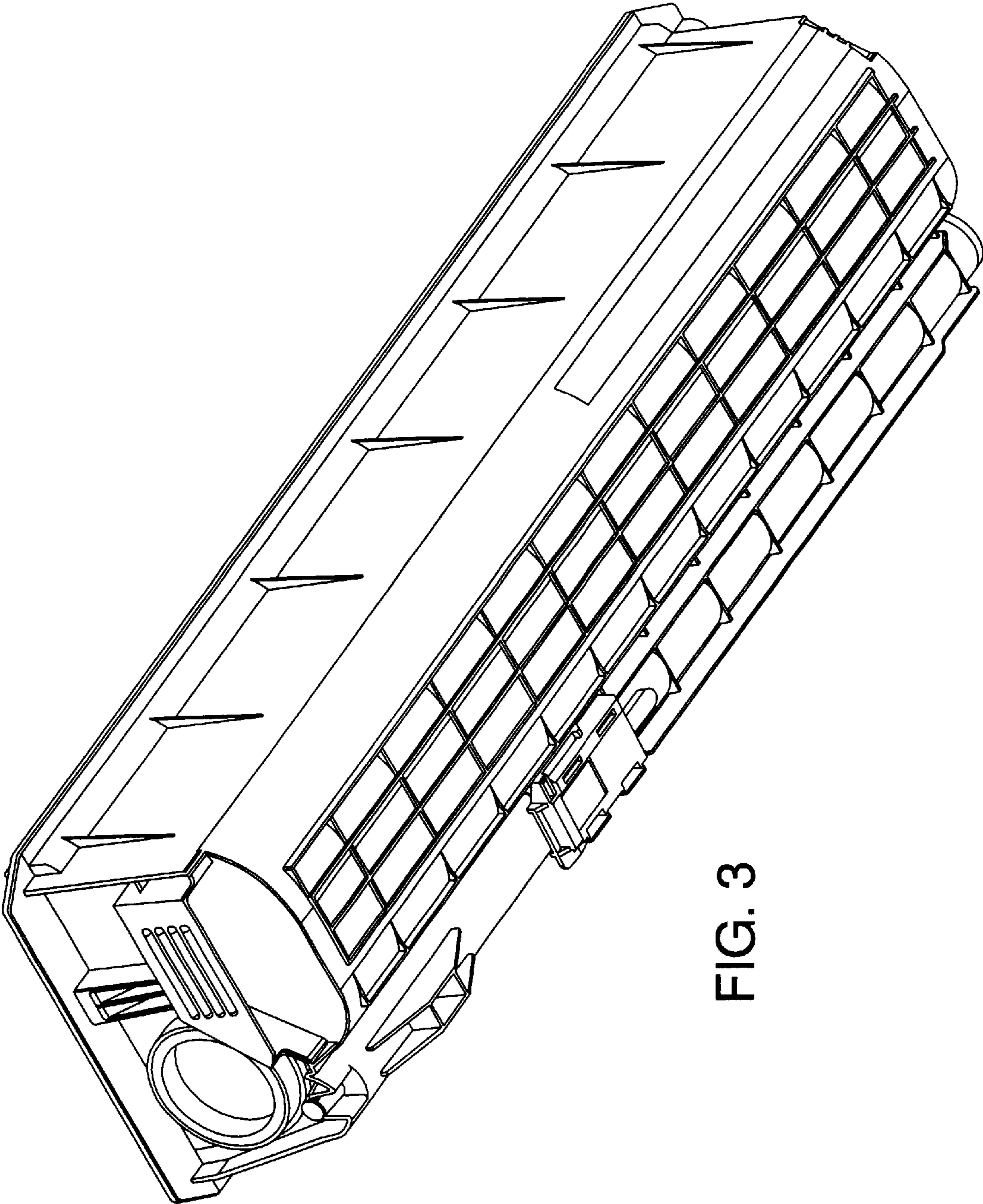


FIG. 3



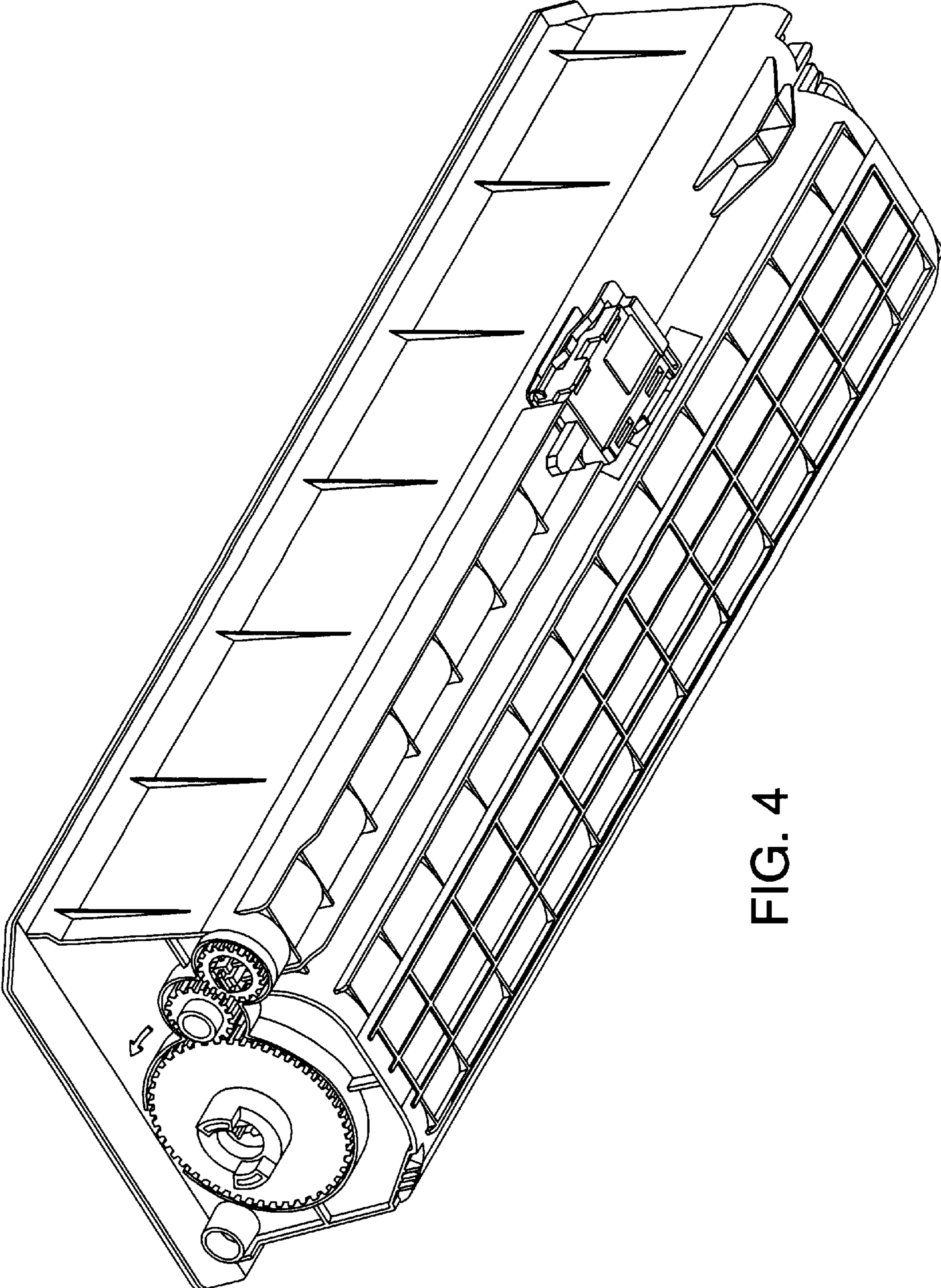


FIG. 4

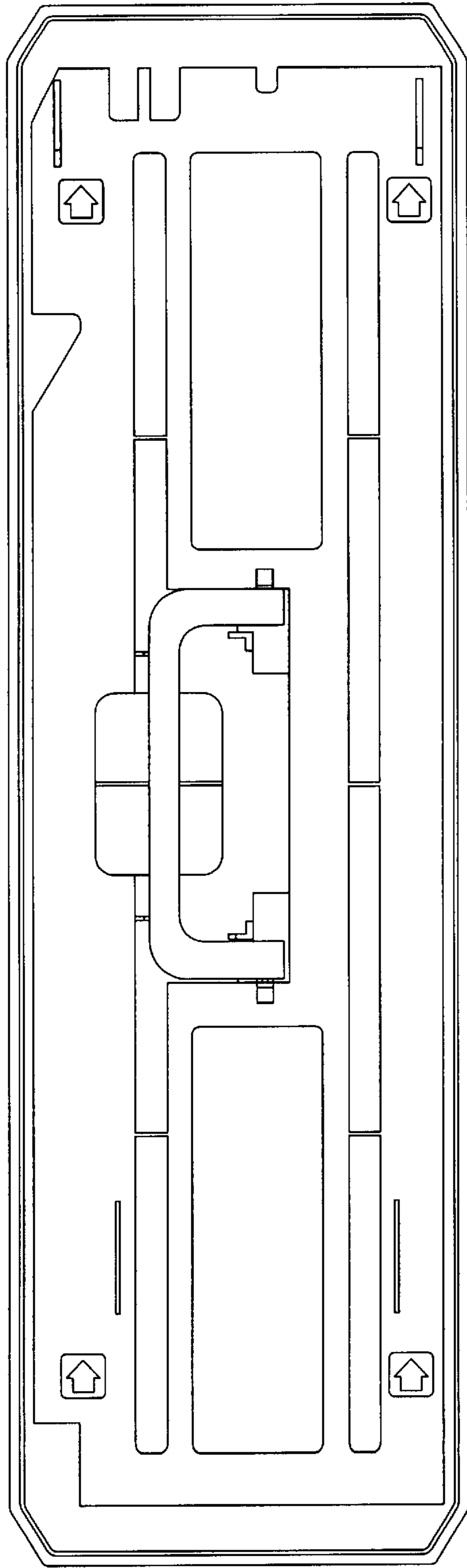


FIG. 5

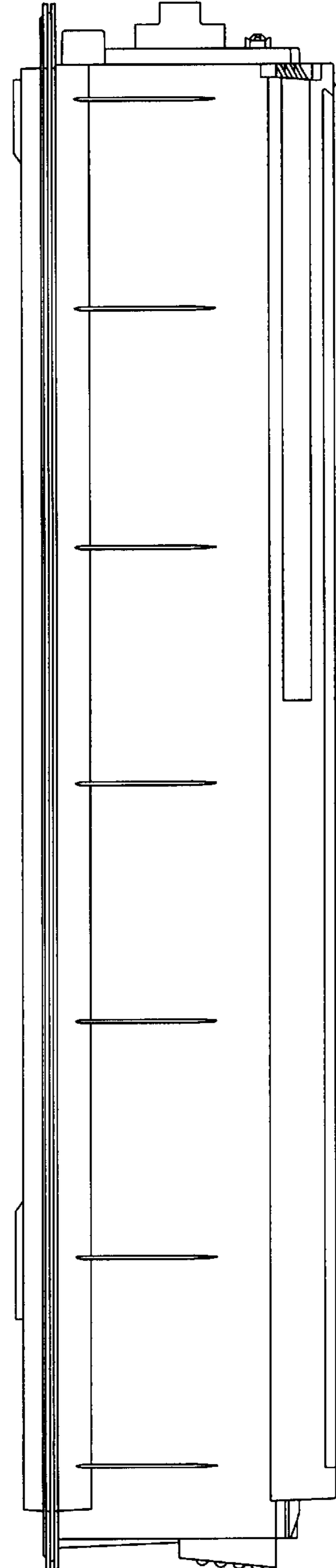


FIG. 6

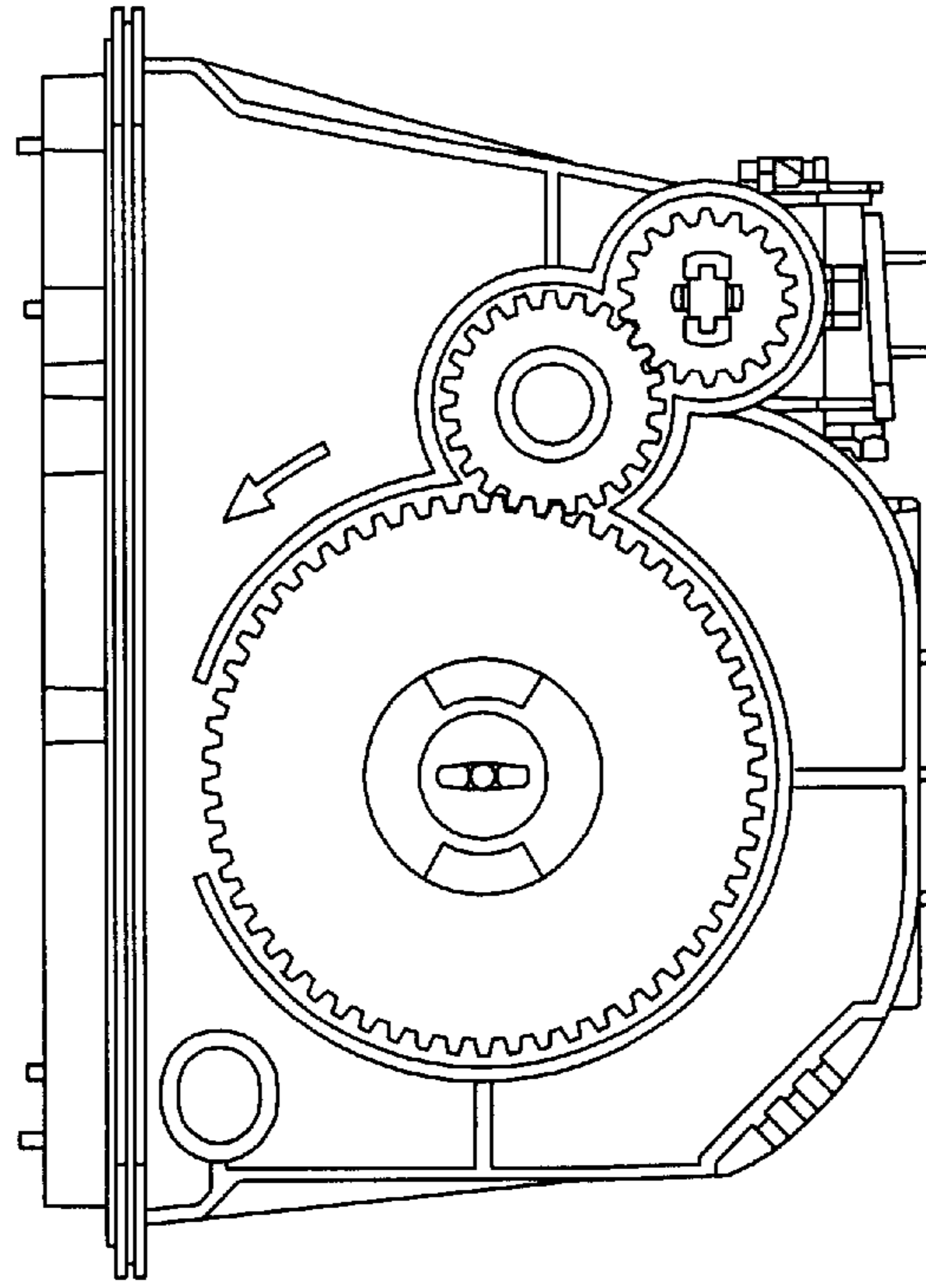


FIG. 8

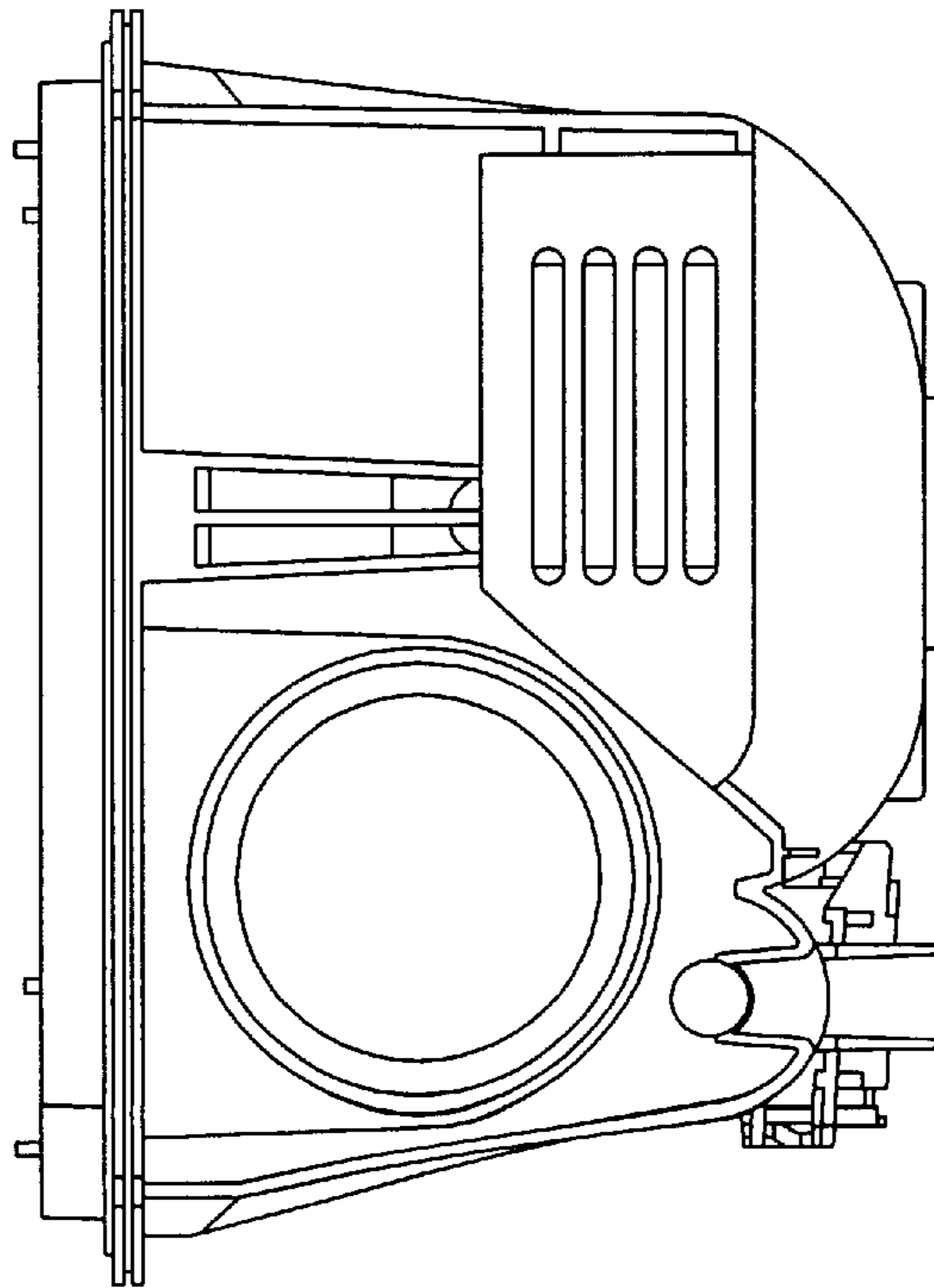


FIG. 7

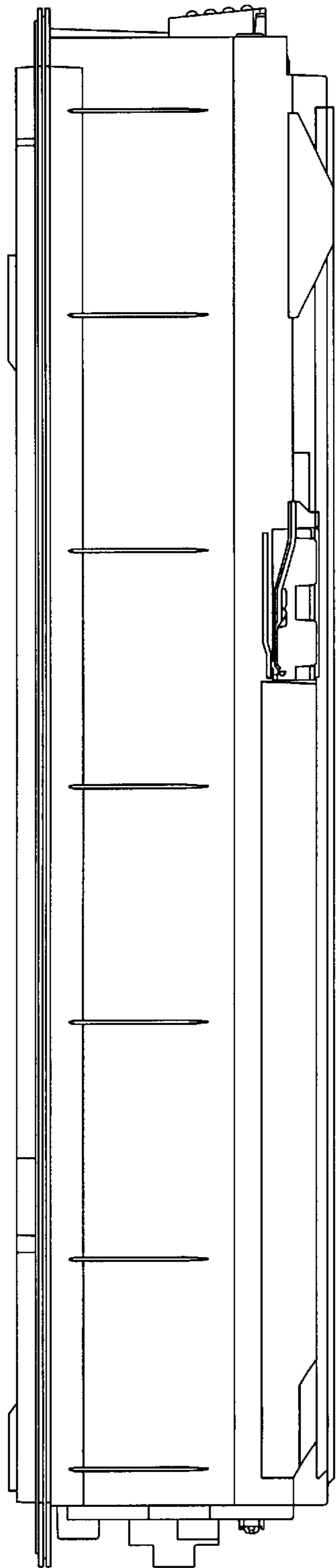


FIG. 9

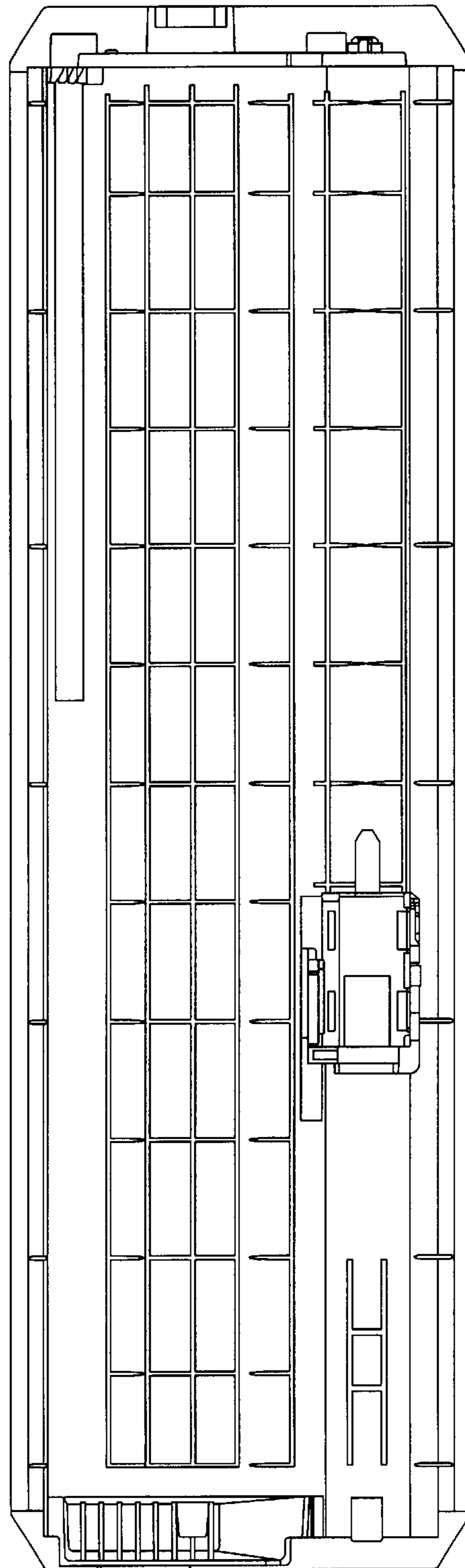


FIG. 10