



US00D524847S

(12) **United States Design Patent**
McIntosh et al.

(10) **Patent No.:** **US D524,847 S**

(45) **Date of Patent:** **** Jul. 11, 2006**

(54) **TONER WASTE BIN**

(75) Inventors: **Frederic D. McIntosh**, Sanford, NC
(US); **Anthony D. Causey**,
Fuquay-Varina, NC (US)

(73) Assignee: **Static Control Components, Inc.**,
Sanford, NC (US)

(**) Term: **14 Years**

(21) Appl. No.: **29/227,152**

(22) Filed: **Apr. 7, 2005**

(51) **LOC (8) Cl.** **16-03**

(52) **U.S. Cl.** **D18/40; D18/40**

(58) **Field of Classification Search** D18/36-41,
D18/43-49, 56; 222/DIG. 1; 271/3.14, 8.1,
271/145, 147, 160, 165, 226, 278; 355/97,
355/99, 133; 399/1-7, 35, 75, 81, 82, 99,
399/107, 120, 130, 257, 264, 327, 361, 365,
399/367, 381-383, 388, 393, 405, 411

See application file for complete search history.

(56) **References Cited**

U.S. PATENT DOCUMENTS

D233,481 S * 10/1974 Knodt D18/43
D253,810 S * 1/1980 Stone D18/43
D289,300 S * 4/1987 Saito D18/43
D298,337 S * 11/1988 Iseki D18/43

D310,541 S * 9/1990 Miyoshi D18/43
D353,834 S * 12/1994 Haida D18/56
D431,259 S * 9/2000 Muranaka D18/43
D444,810 S * 7/2001 Itoh D18/43
D478,121 S * 8/2003 Forbes D18/46
D494,213 S * 8/2004 Wong D18/49
6,882,810 B1 * 4/2005 Karagiannis et al. 399/109

OTHER PUBLICATIONS

ISV Chips, Advertisement, printed from www.isvchips.com.

* cited by examiner

Primary Examiner—Caron Veynar

Assistant Examiner—Garth Rademaker

(57) **CLAIM**

We claim the ornamental design for a toner waste bin, as shown and described.

DESCRIPTION

FIG. 1 shows a perspective view of a toner waste bin according to my new design.

FIG. 2 shows a front elevation view thereof;

FIG. 3 shows a rear elevation view thereof;

FIG. 4 shows a top plan view thereof;

FIG. 5 shows a side elevation view thereof, the opposite side elevation view being a mirror image; and,

FIG. 6 shows a bottom plan view thereof.

1 Claim, 4 Drawing Sheets

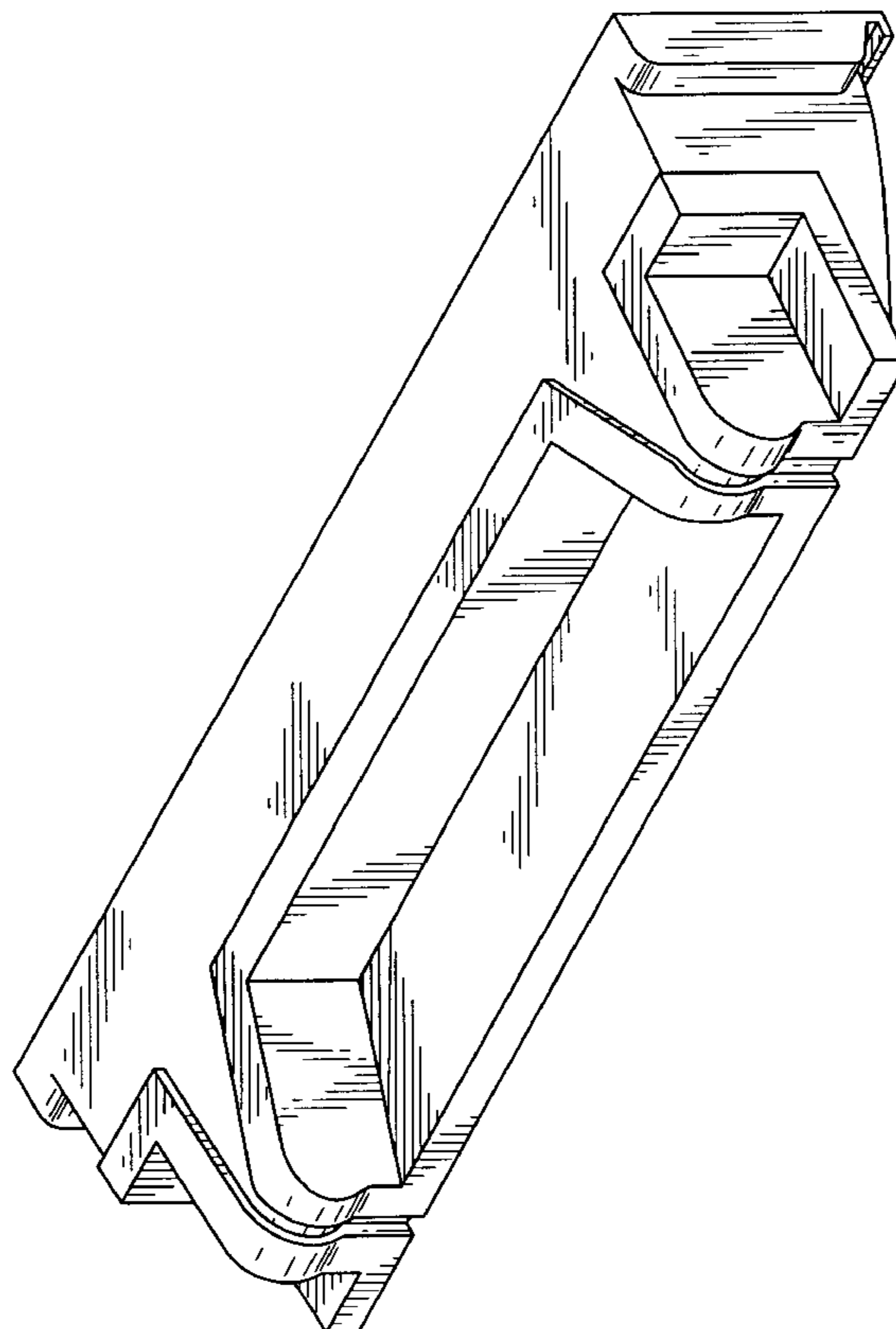


FIG. 1

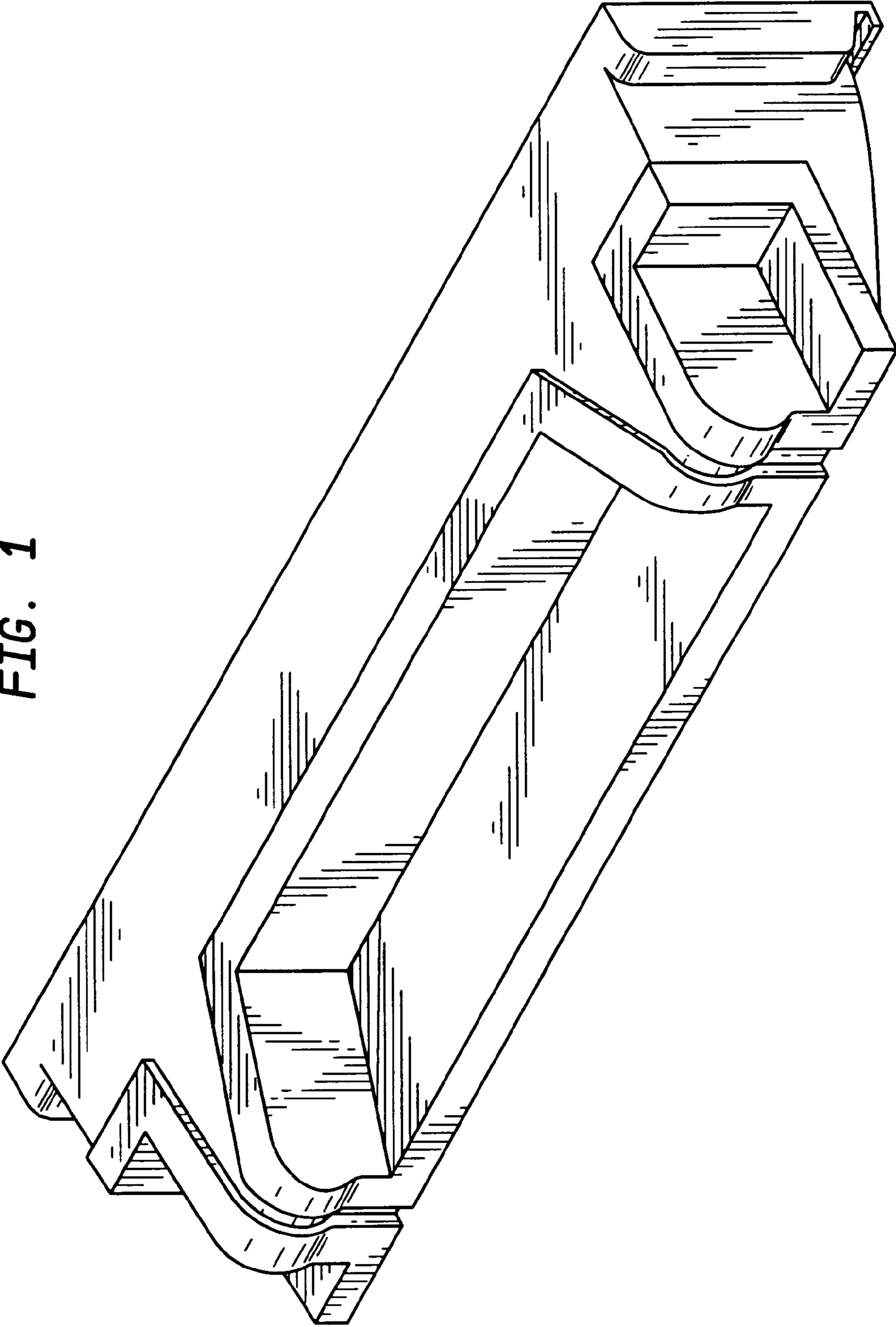


FIG. 2

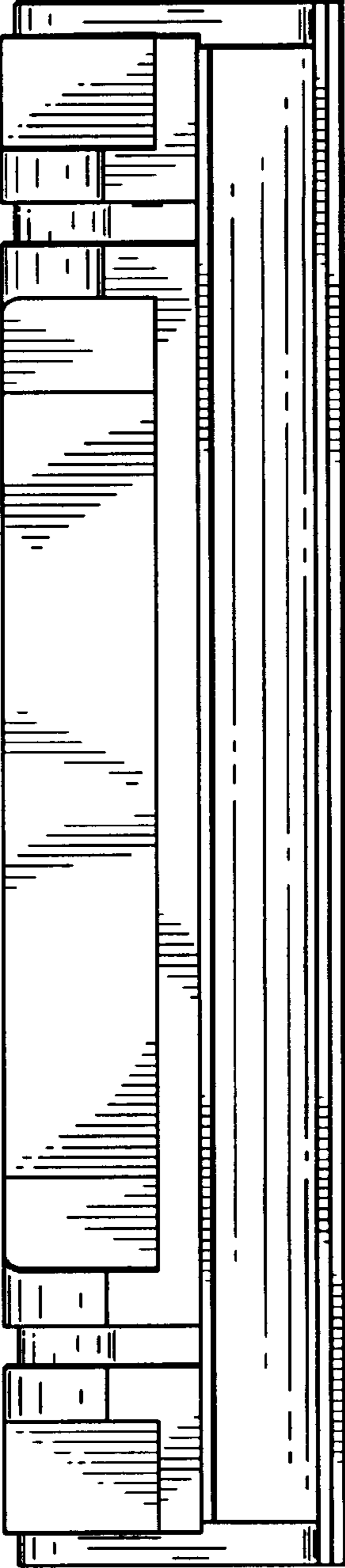


FIG. 3

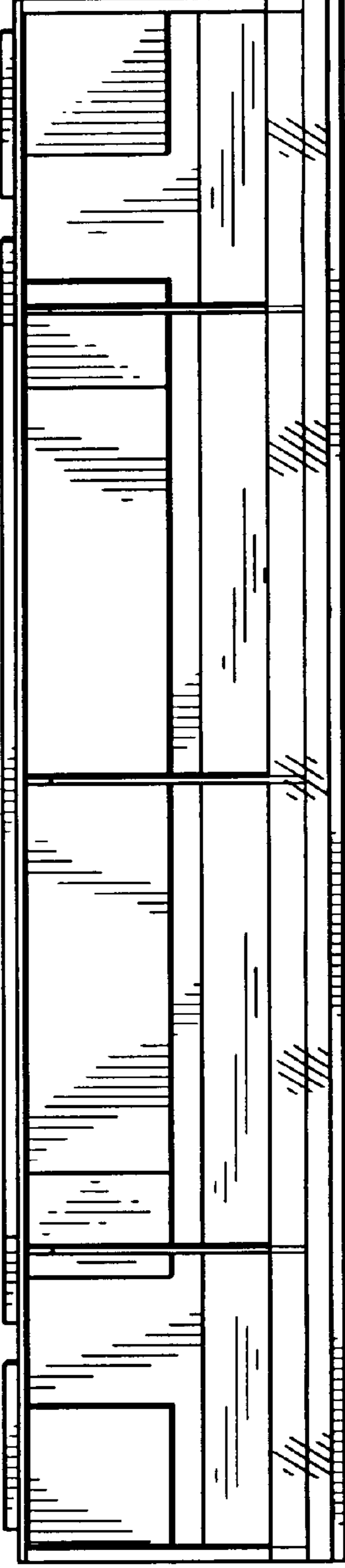


FIG. 4

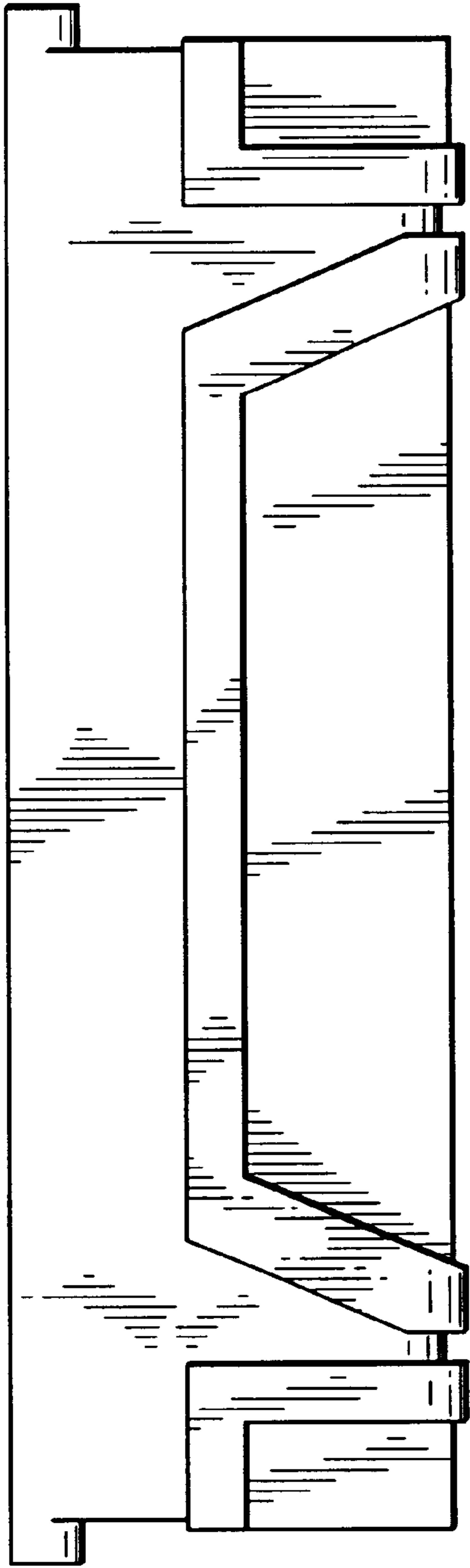


FIG. 5

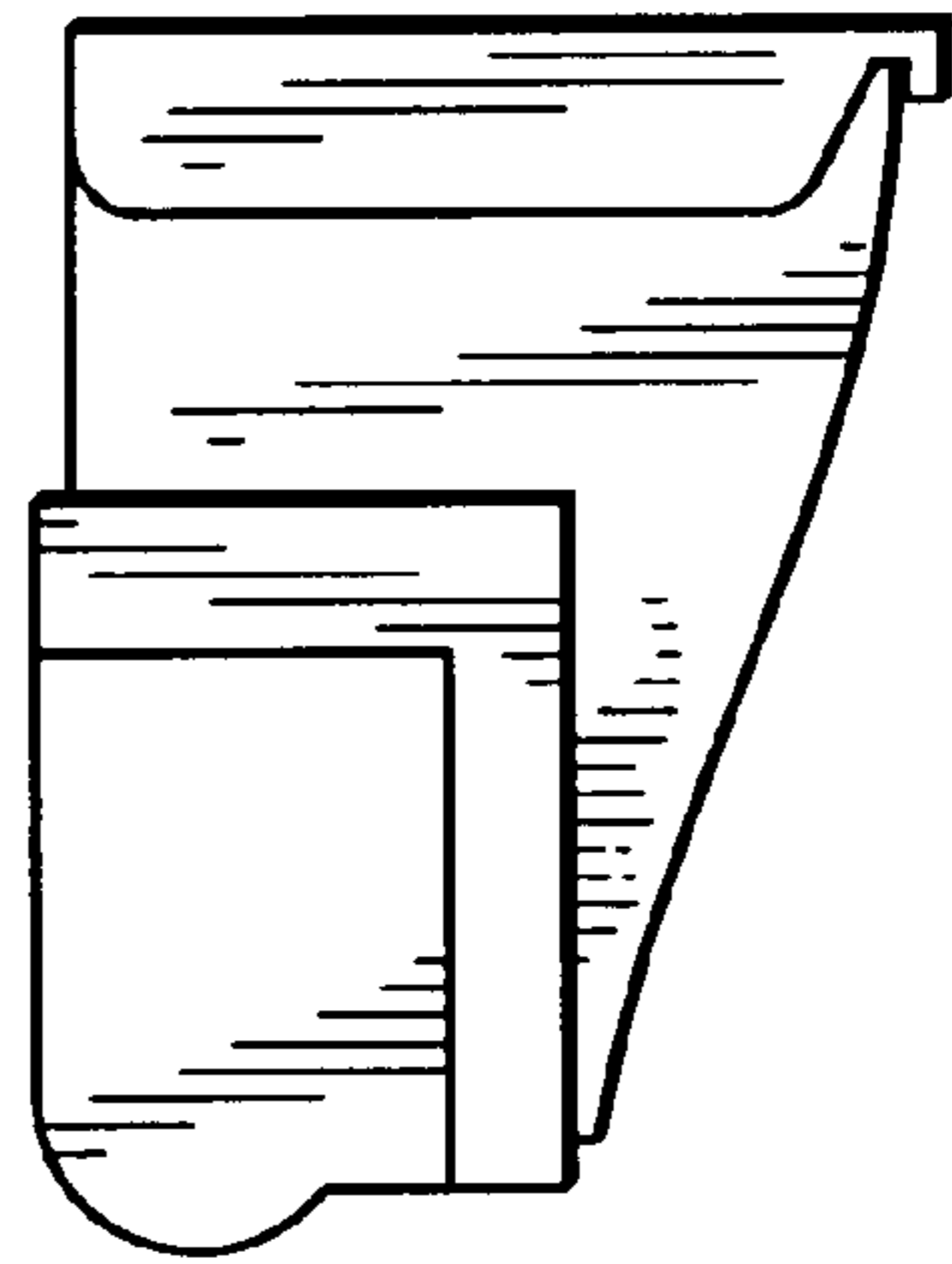


FIG. 6

