



US00D524840S

(12) **United States Design Patent**  
**Tsuchiya**

(10) **Patent No.:** **US D524,840 S**

(45) **Date of Patent:** **\*\* Jul. 11, 2006**

(54) **VIDEO CAMERA**

(75) Inventor: **Tsutomu Tsuchiya**, Tokyo (JP)

(73) Assignee: **Sony Corporation**, Tokyo (JP)

(\*\*) Term: **14 Years**

(21) Appl. No.: **29/210,746**

(22) Filed: **Aug. 6, 2004**

(51) **LOC (8) Cl.** ..... **16-01**

(52) **U.S. Cl.** ..... **D16/219; D16/202**

(58) **Field of Classification Search** ..... D16/200–205,  
D16/208, 218, 219; 348/373–376; 358/906,  
358/909.1; 396/535–541  
See application file for complete search history.

(56) **References Cited**

**U.S. PATENT DOCUMENTS**

D401,256 S	11/1998	Harata	
D404,047 S	1/1999	Ishii	
D410,662 S	6/1999	Harata	
D450,074 S	11/2001	Miyashita	
6,445,417 B1 *	9/2002	Yoshida et al.	348/374
D465,505 S *	11/2002	Nasu	D16/219
D488,497 S	4/2004	Suzuki	
D491,967 S *	6/2004	Kojima et al.	D16/202
D498,780 S *	11/2004	Su et al.	D16/202
D500,512 S *	1/2005	Hayashi	D16/208
D502,484 S *	3/2005	Nagayama et al.	D16/219
D505,438 S *	5/2005	Kojima et al.	D16/202
D508,936 S *	8/2005	Naito	D16/218

\* cited by examiner

*Primary Examiner*—Adir Aronovich

(74) *Attorney, Agent, or Firm*—Rader, Fishman & Grauer PLLC

(57) **CLAIM**

The ornamental design for a video camera, as shown and described.

**DESCRIPTION**

FIG. 1 is a front left top perspective view of a first embodiment of a video camera showing my new design;  
 FIG. 2 is a front right top perspective view thereof;  
 FIG. 3 is a front elevational view thereof;  
 FIG. 4 is a left side elevational view thereof;  
 FIG. 5 is a right side elevational view thereof;  
 FIG. 6 is a top plan view thereof;  
 FIG. 7 is a bottom plan view thereof;  
 FIG. 8 is a front left top perspective view of a second embodiment of a video camera showing my new design;  
 FIG. 9 is a front right top perspective view thereof;  
 FIG. 10 is a front elevational view thereof;  
 FIG. 11 is a left side elevational view thereof;  
 FIG. 12 is a right side elevational view thereof;  
 FIG. 13 is a top plan view thereof;  
 FIG. 14 is a bottom plan view thereof;  
 FIG. 15 is a front left top perspective view of a third embodiment of a video camera showing my new design;  
 FIG. 16 is a front right top perspective view thereof;  
 FIG. 17 is a front elevational view thereof;  
 FIG. 18 is a left side elevational view thereof;  
 FIG. 19 is a right side elevational view thereof;  
 FIG. 20 is a top plan view thereof; and,  
 FIG. 21 is a bottom plan view thereof.  
 Portions of FIGS. 1–21 that are shown as broken lines are for illustrative purpose only and form no part of the claimed design.

**1 Claim, 15 Drawing Sheets**

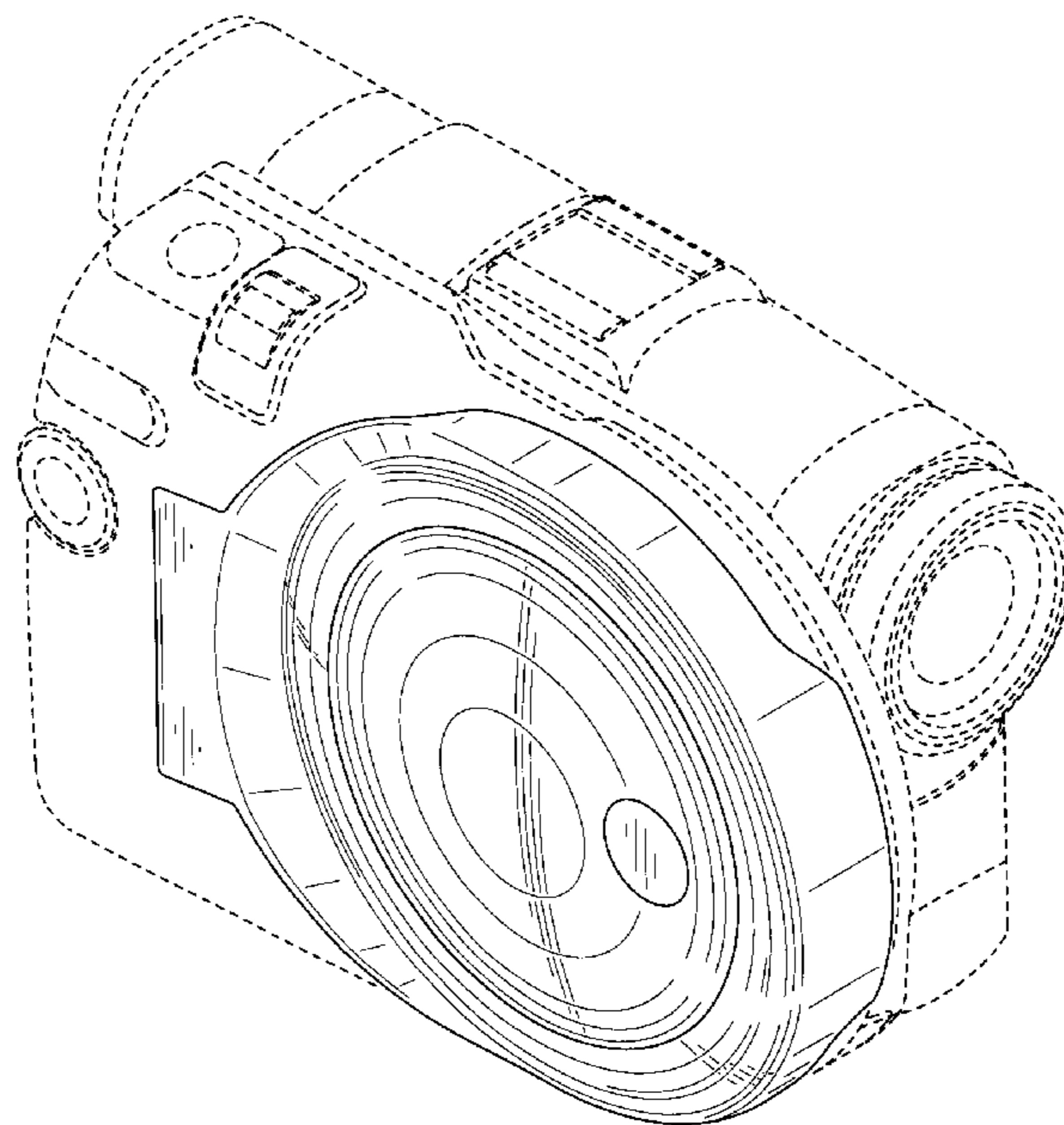


Fig.1

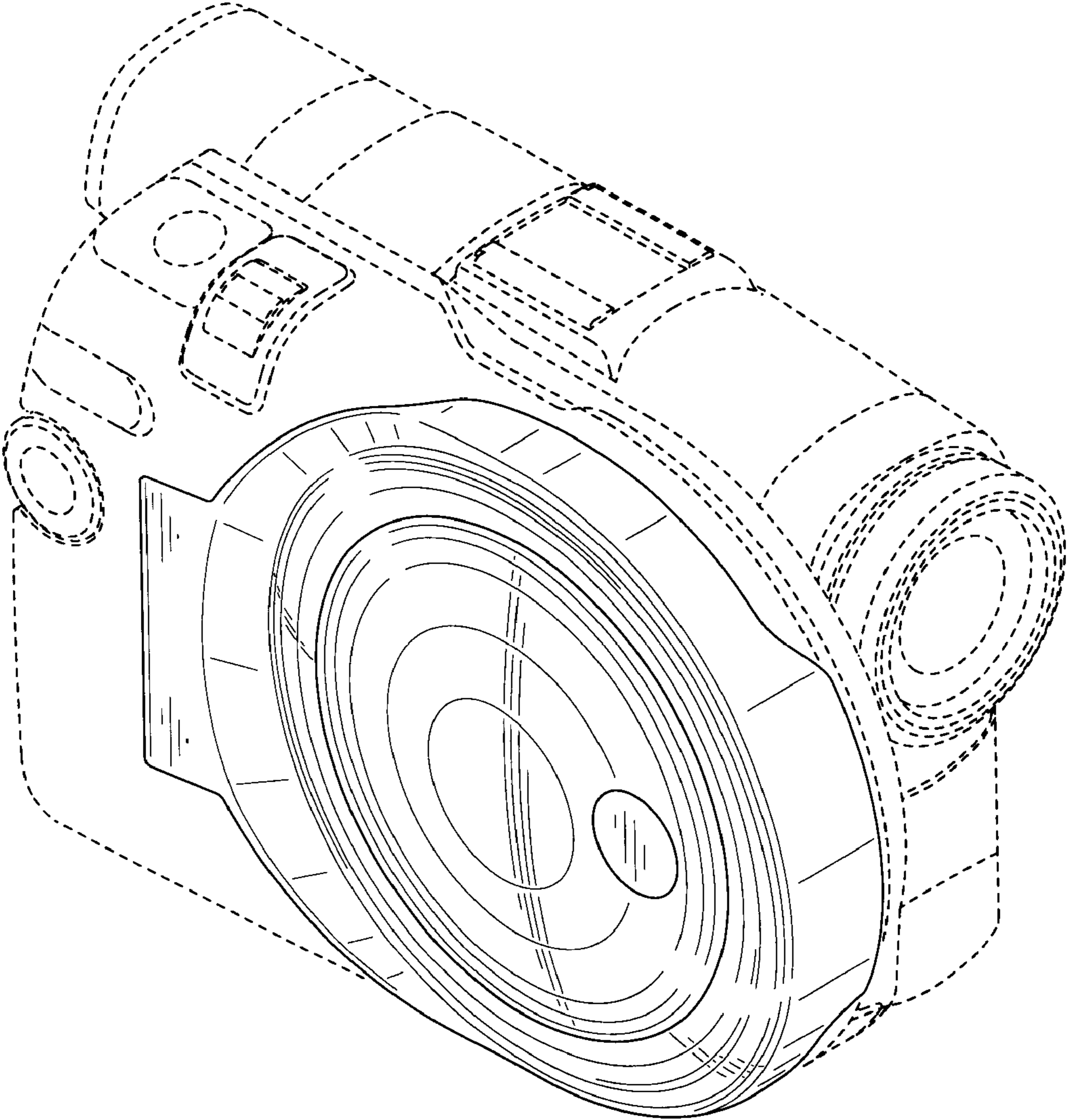


Fig.2

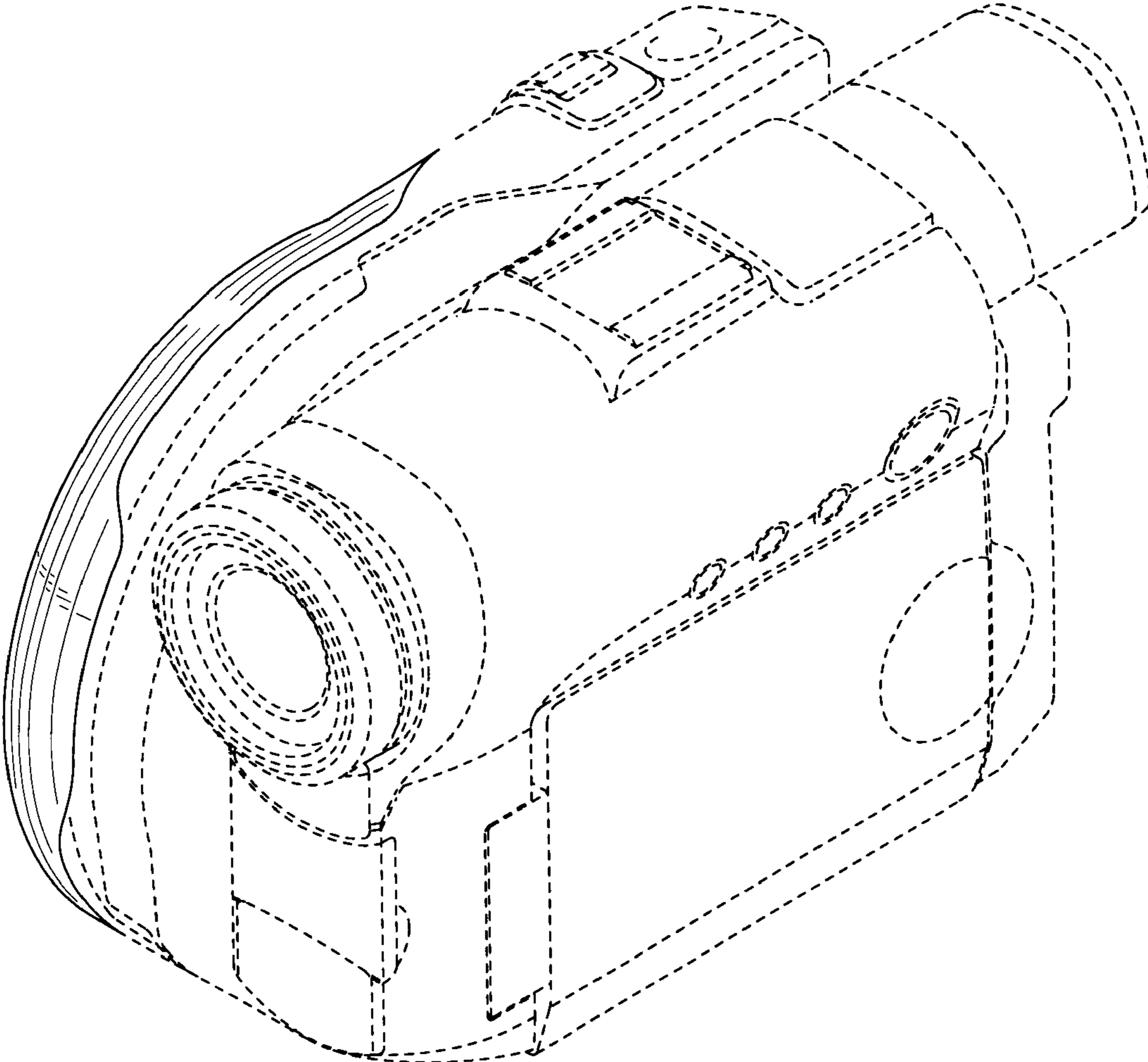


Fig.3

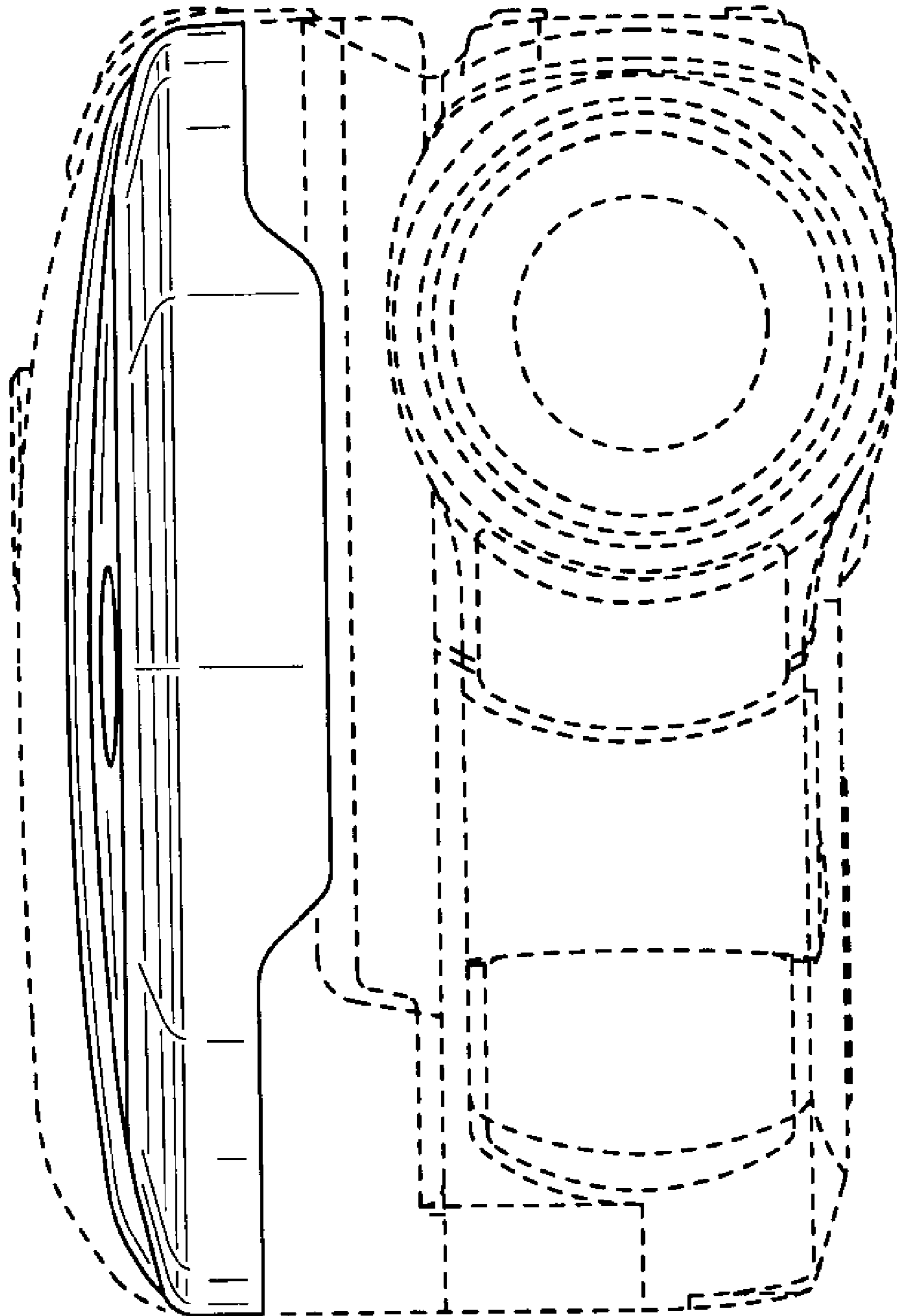


Fig.4

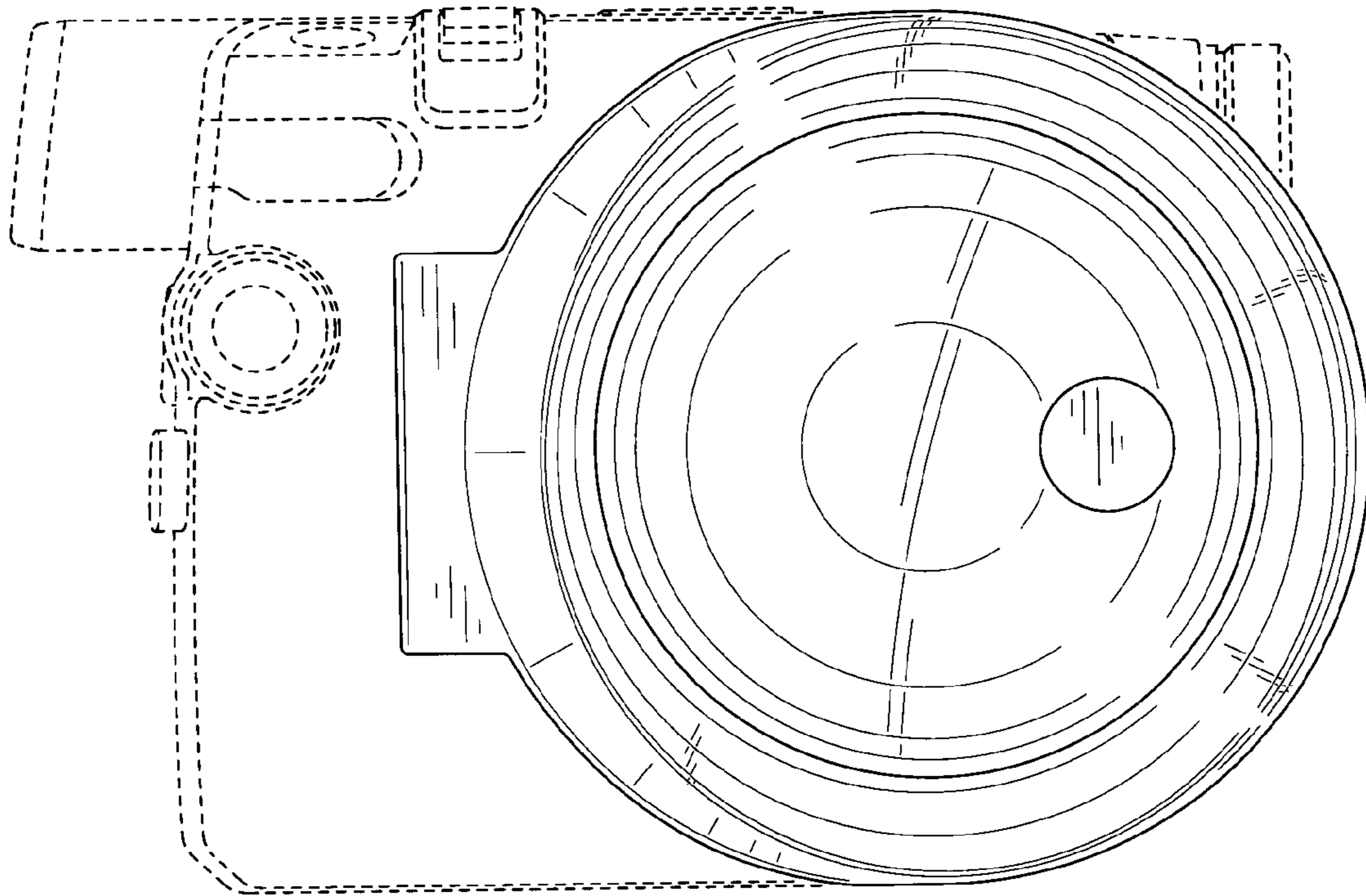


Fig.5

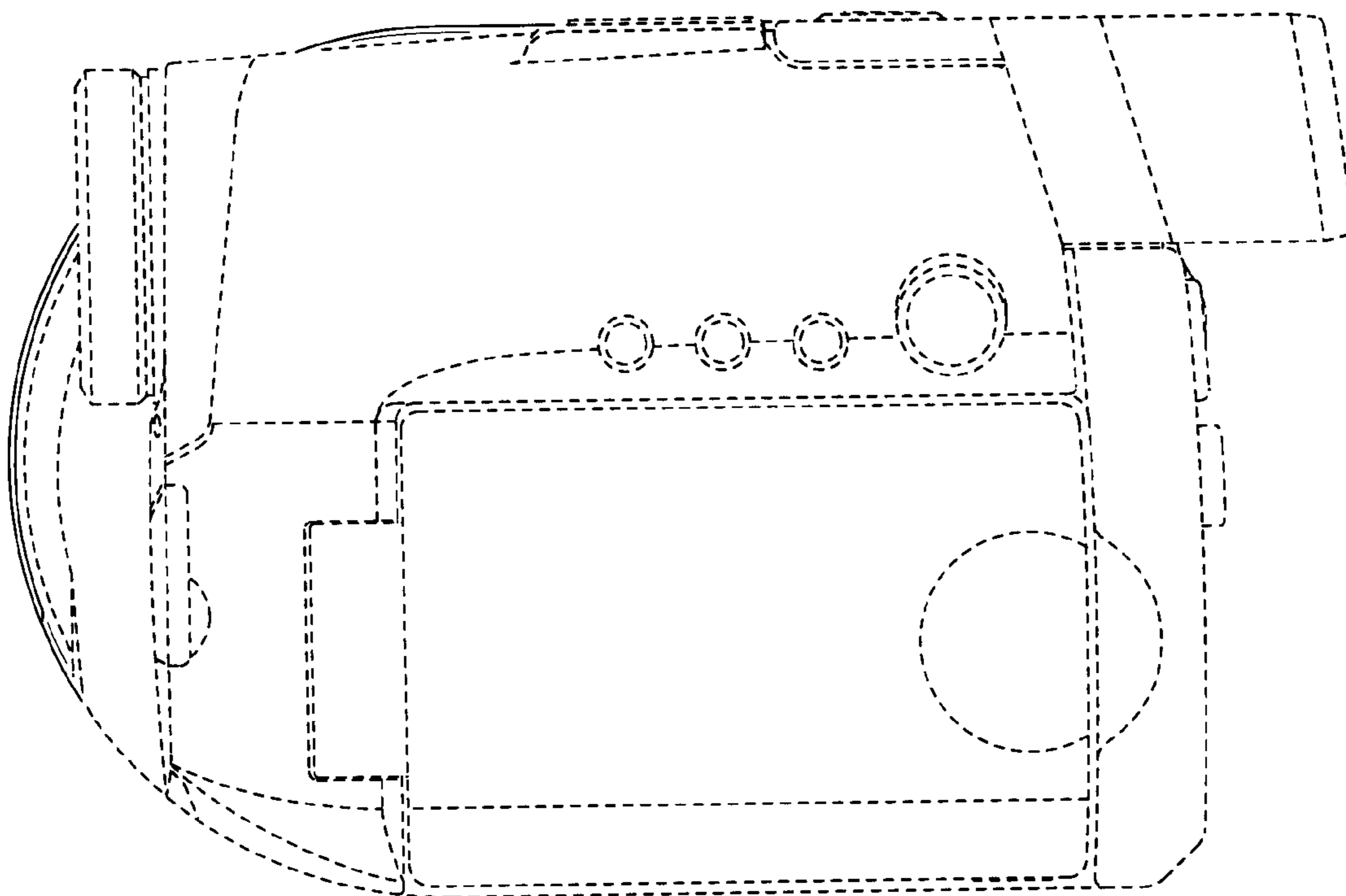


Fig.6

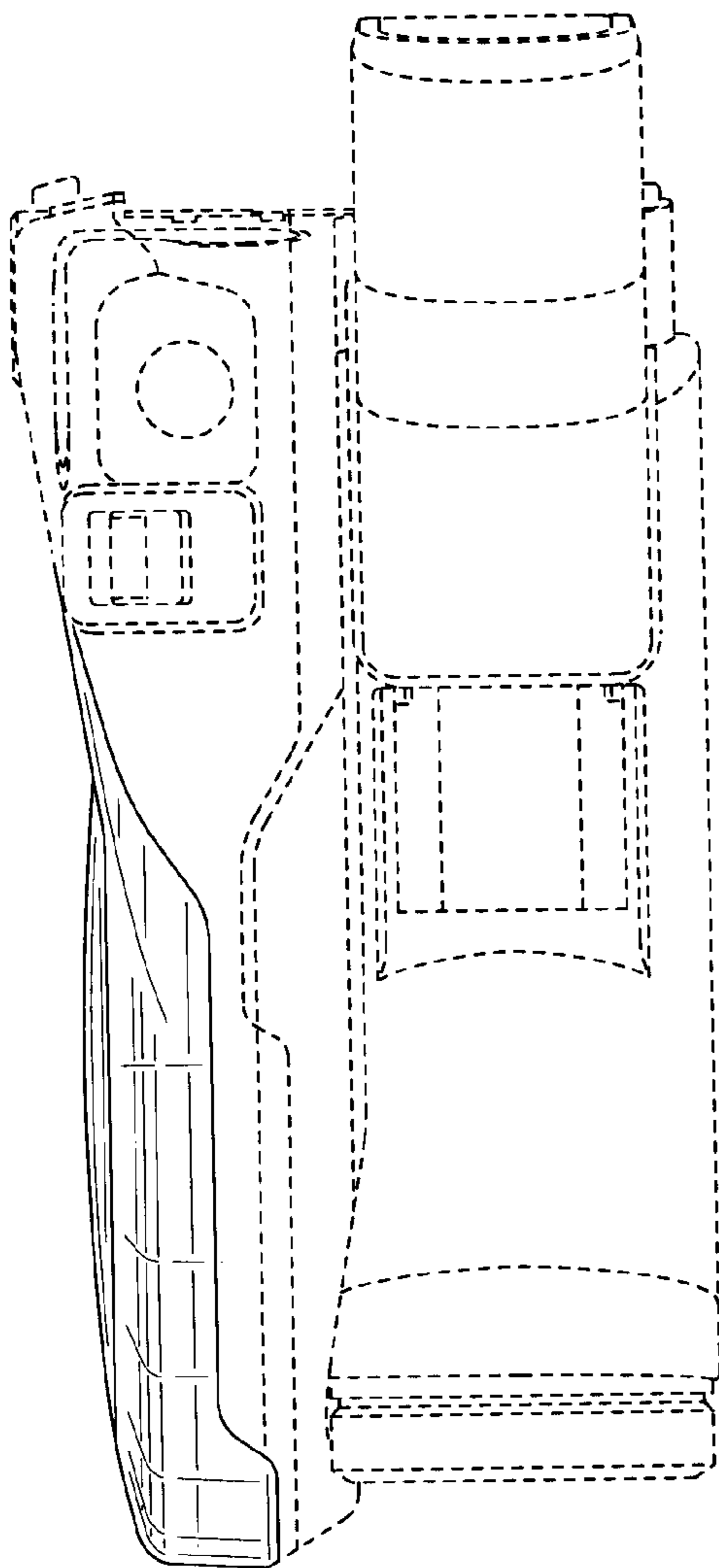


Fig.7

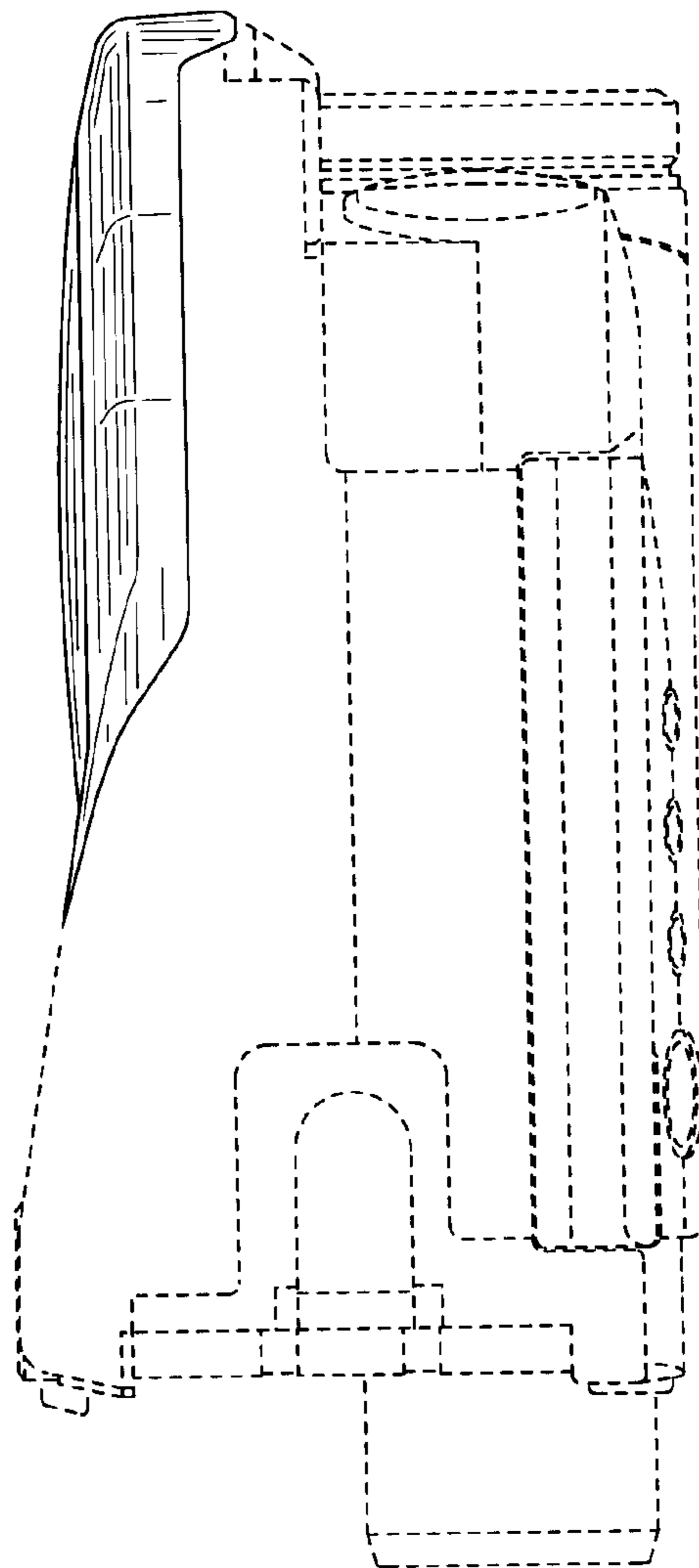


Fig.8

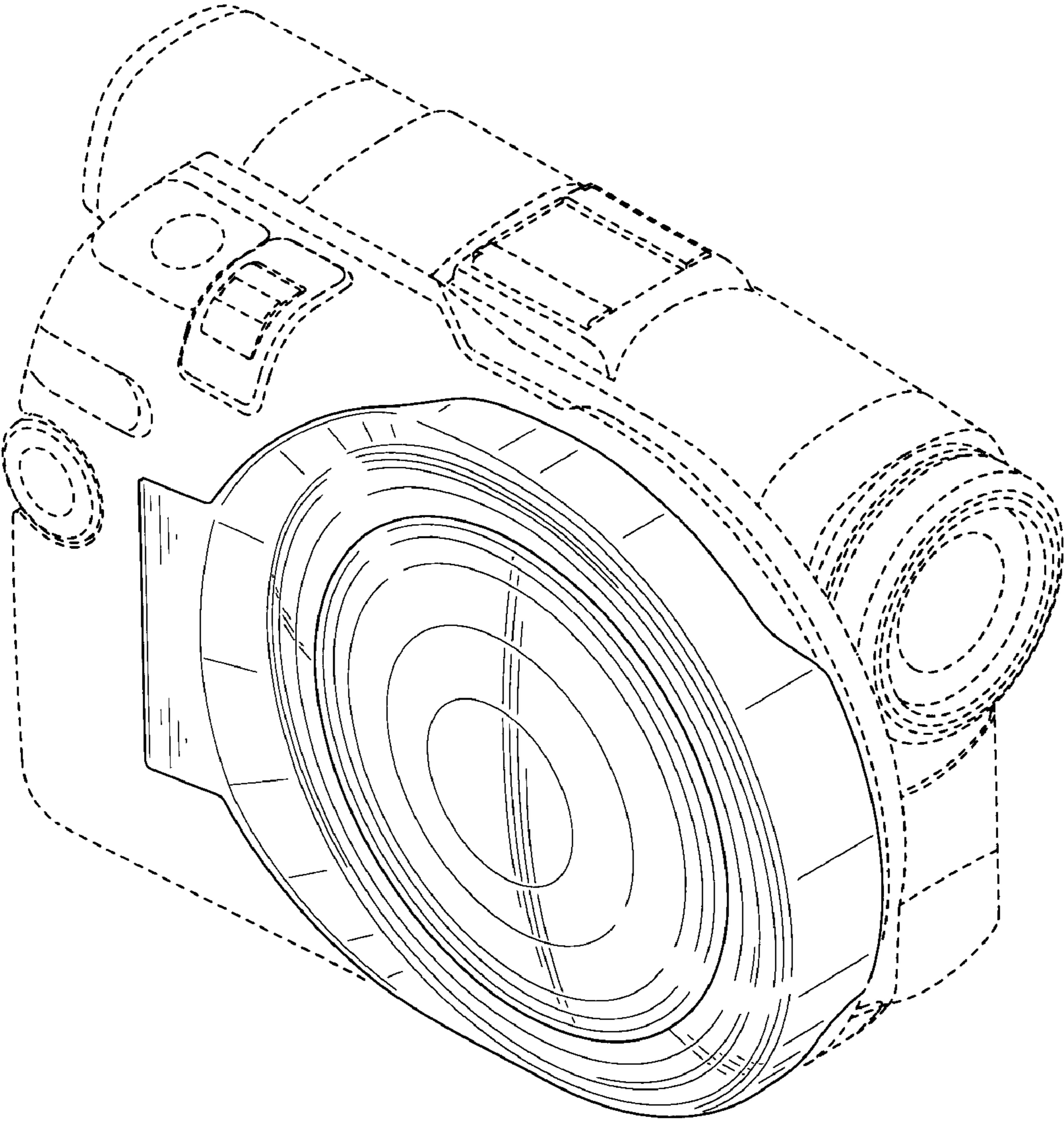


Fig.9

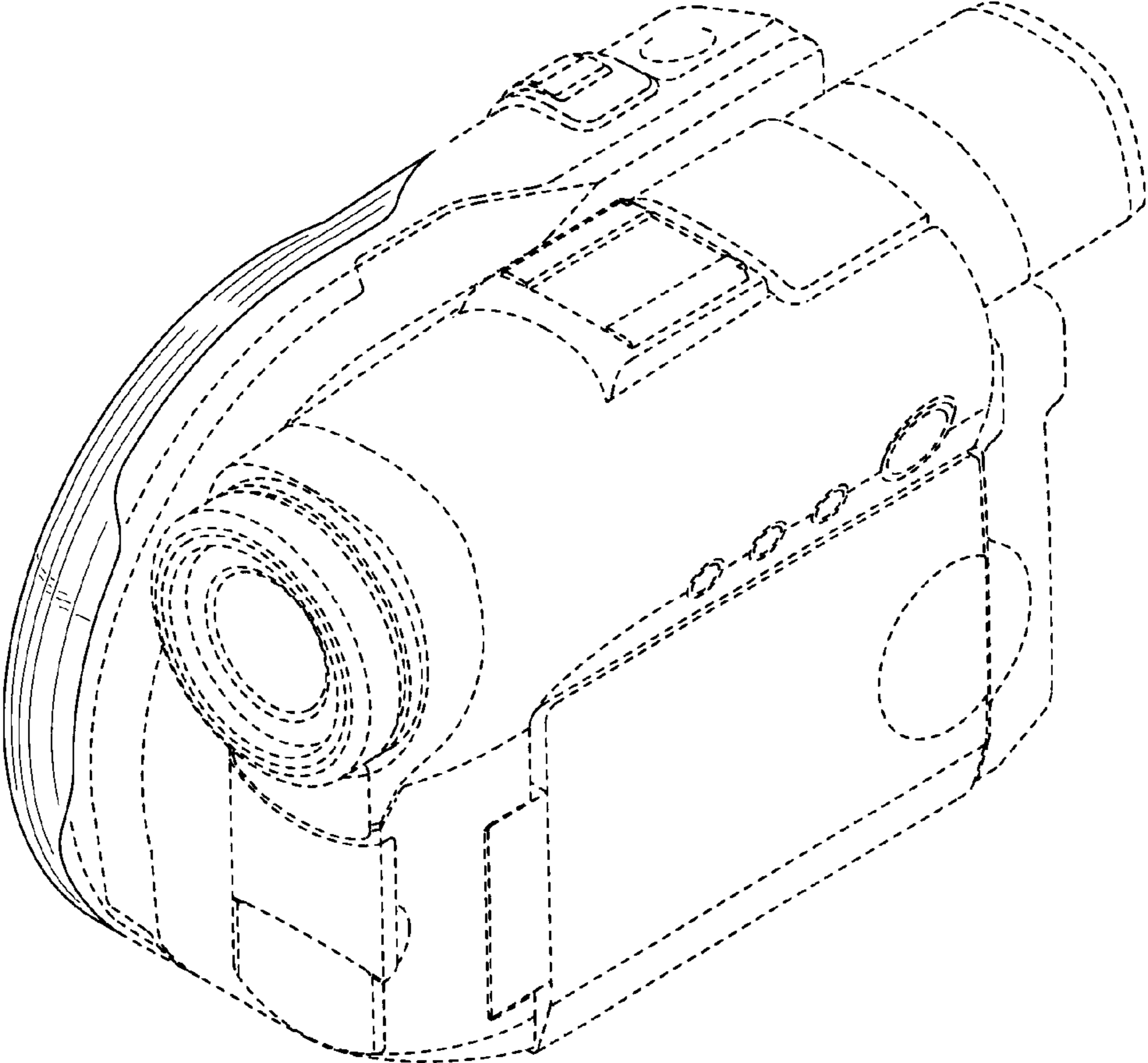




Fig. 10

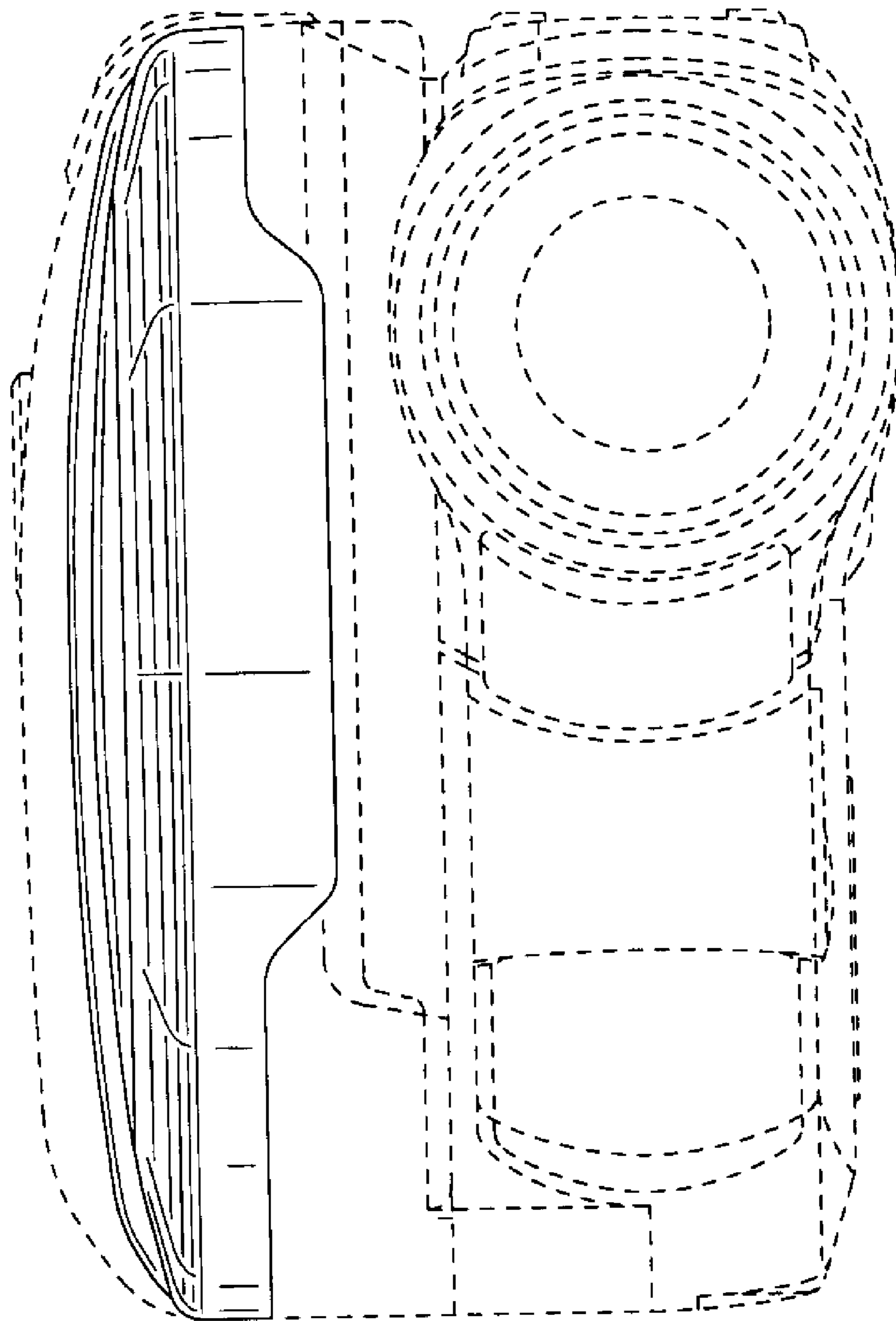


Fig.11

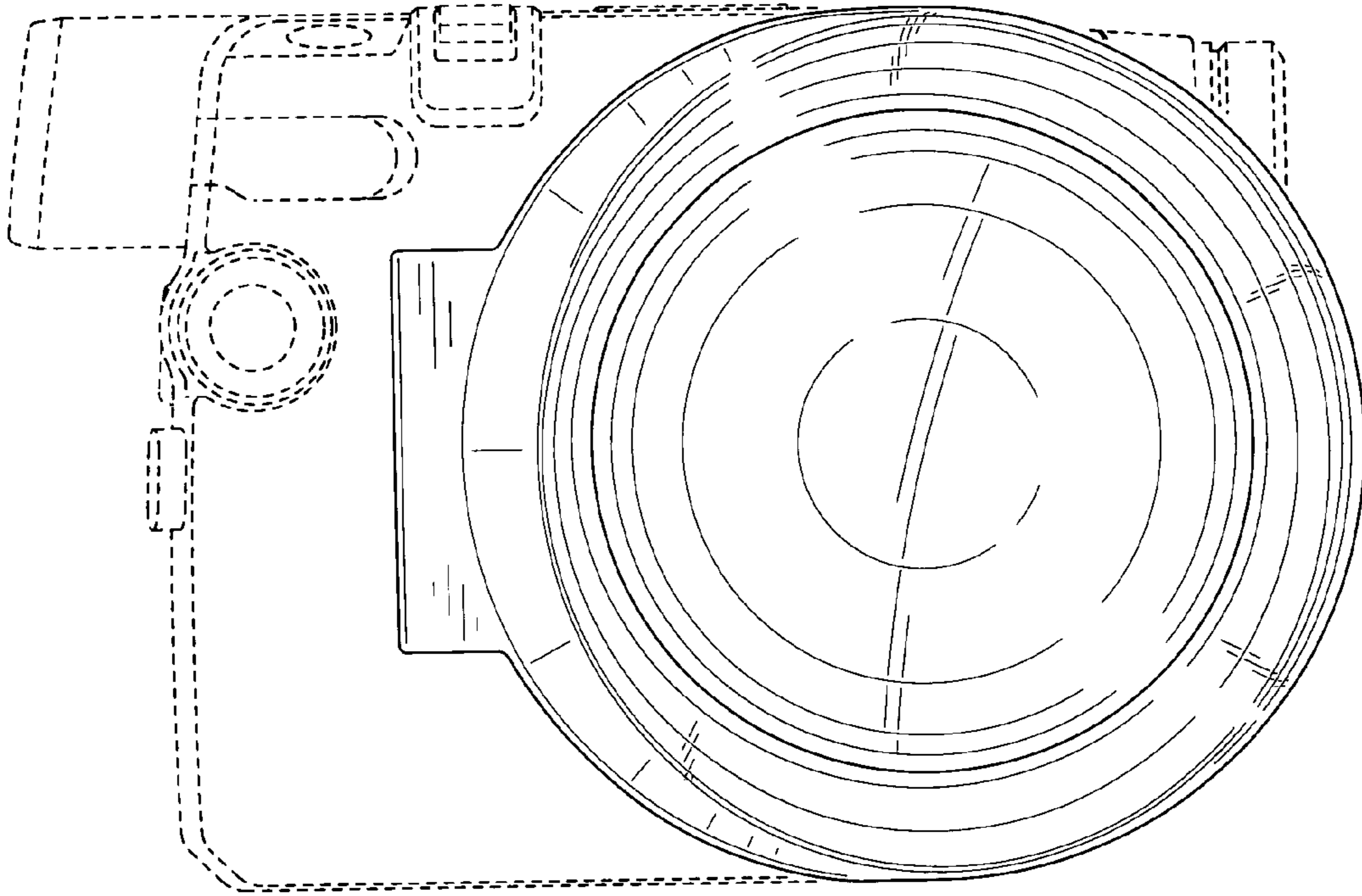


Fig.12

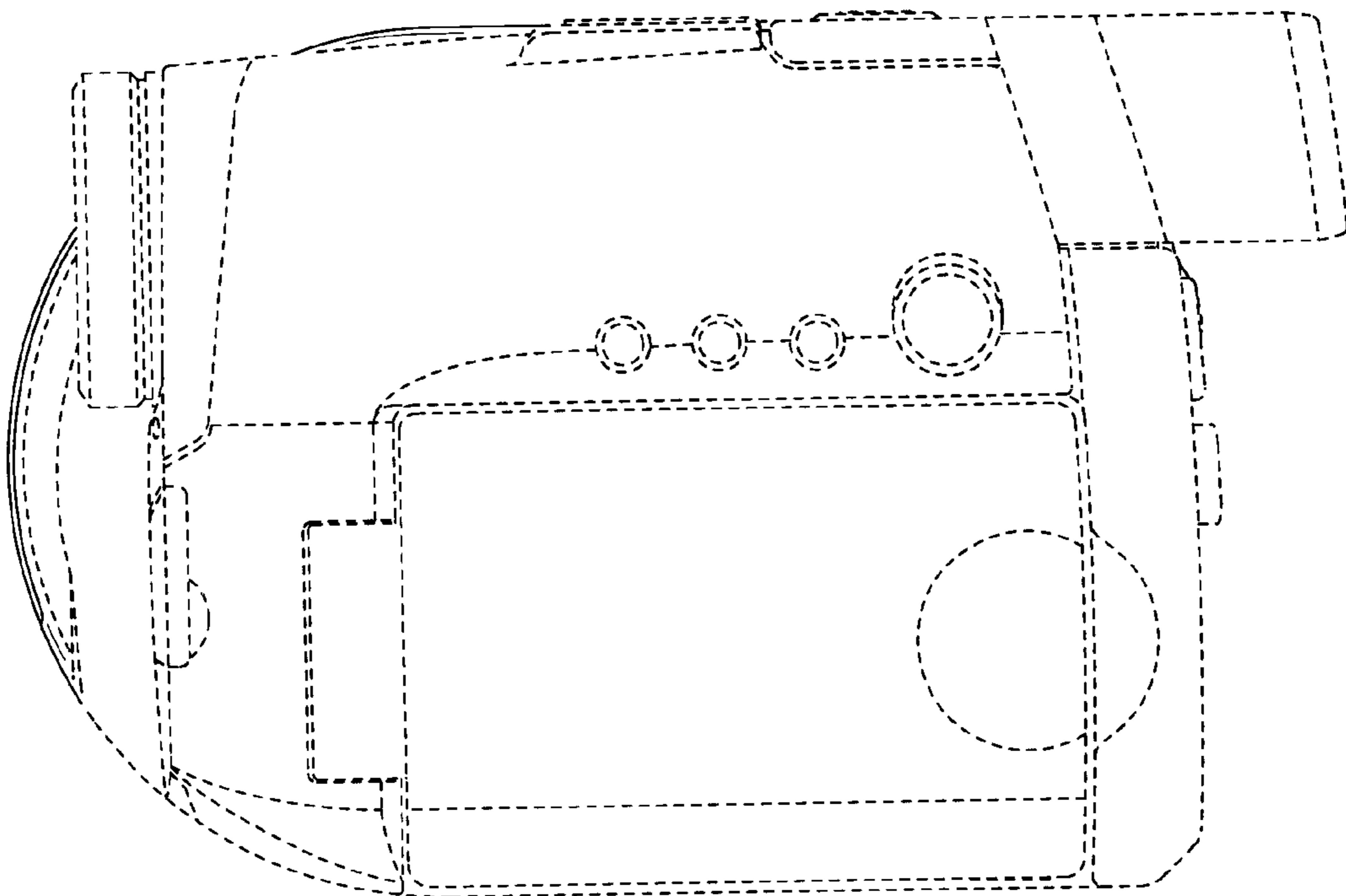


Fig.13

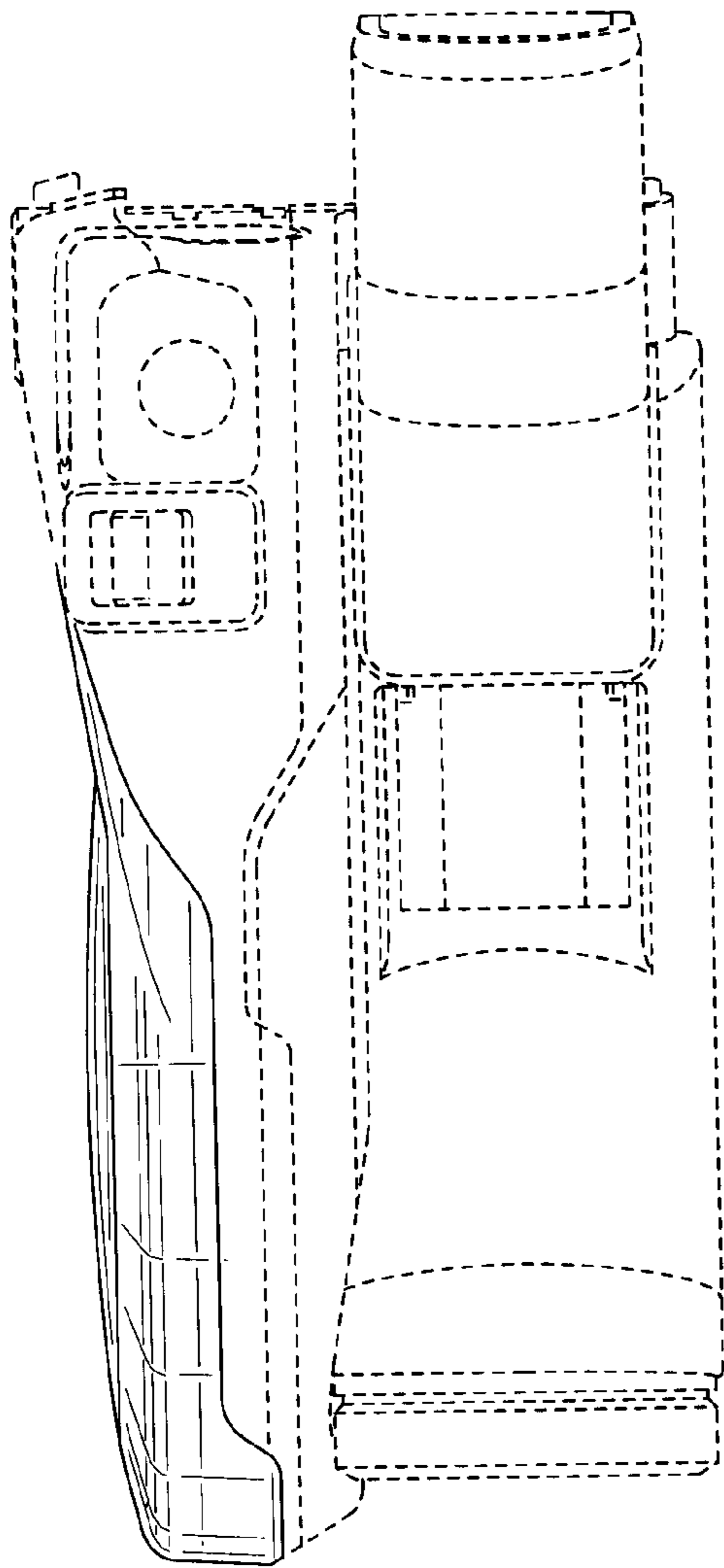


Fig.14

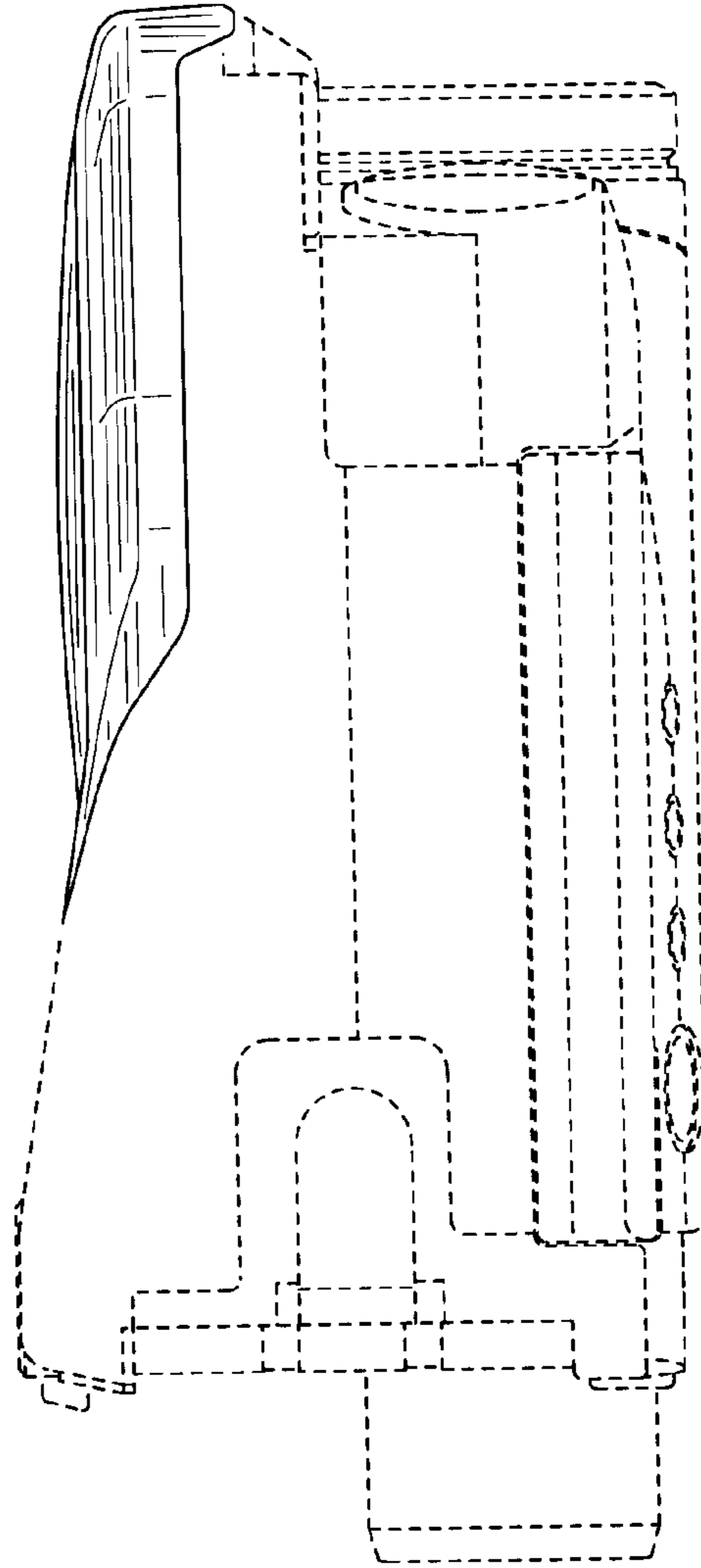


Fig.15

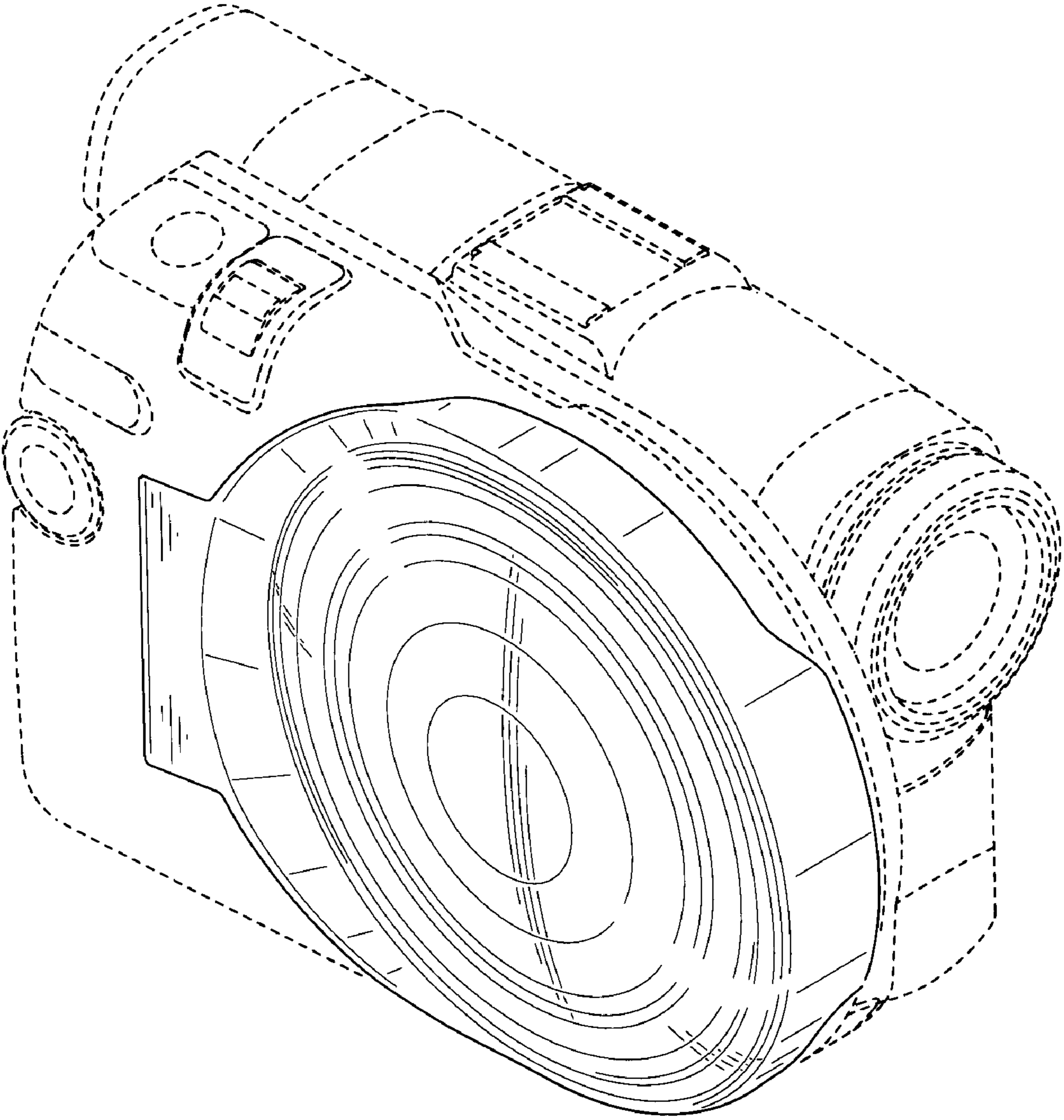


Fig.16

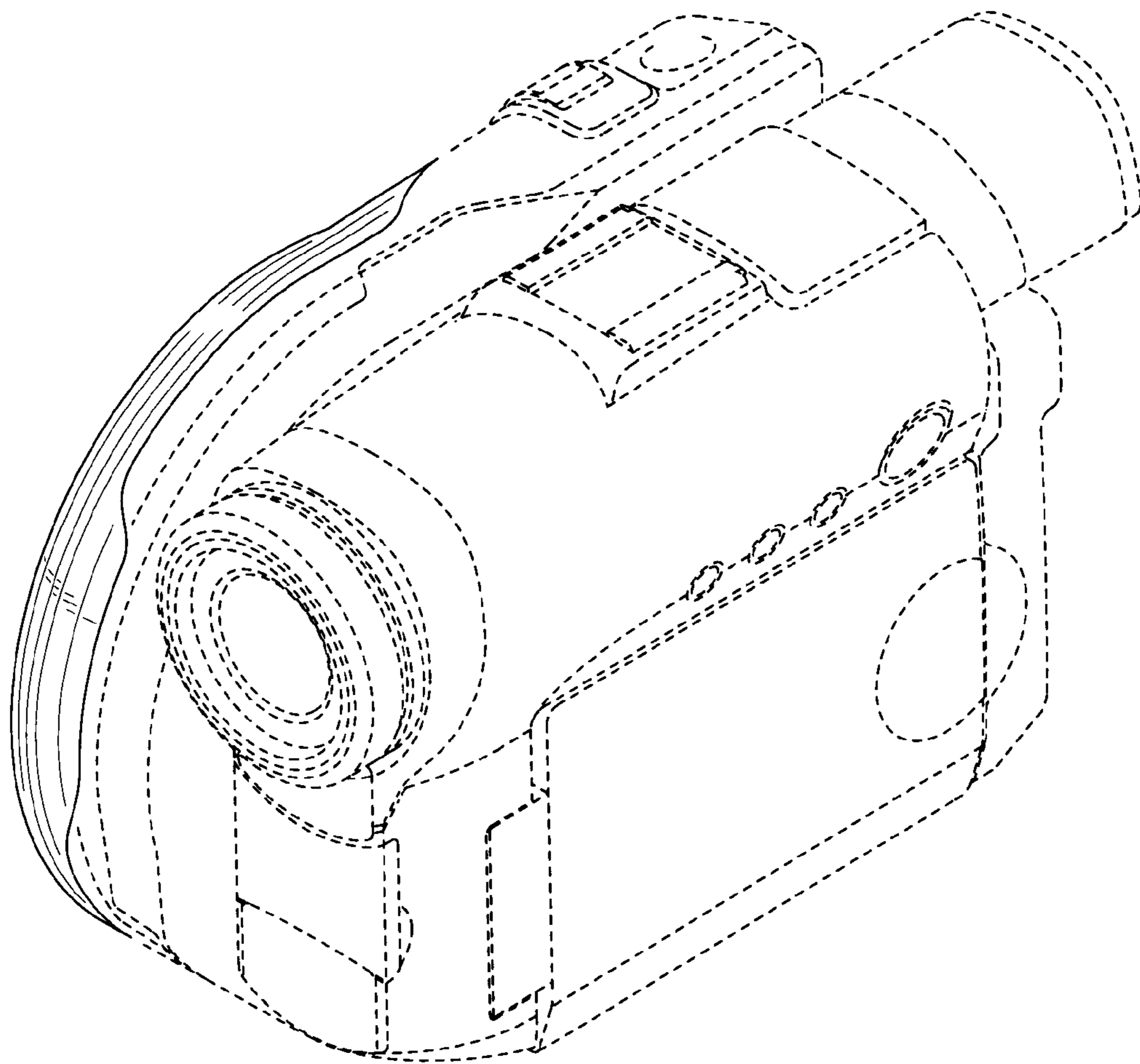


Fig.17

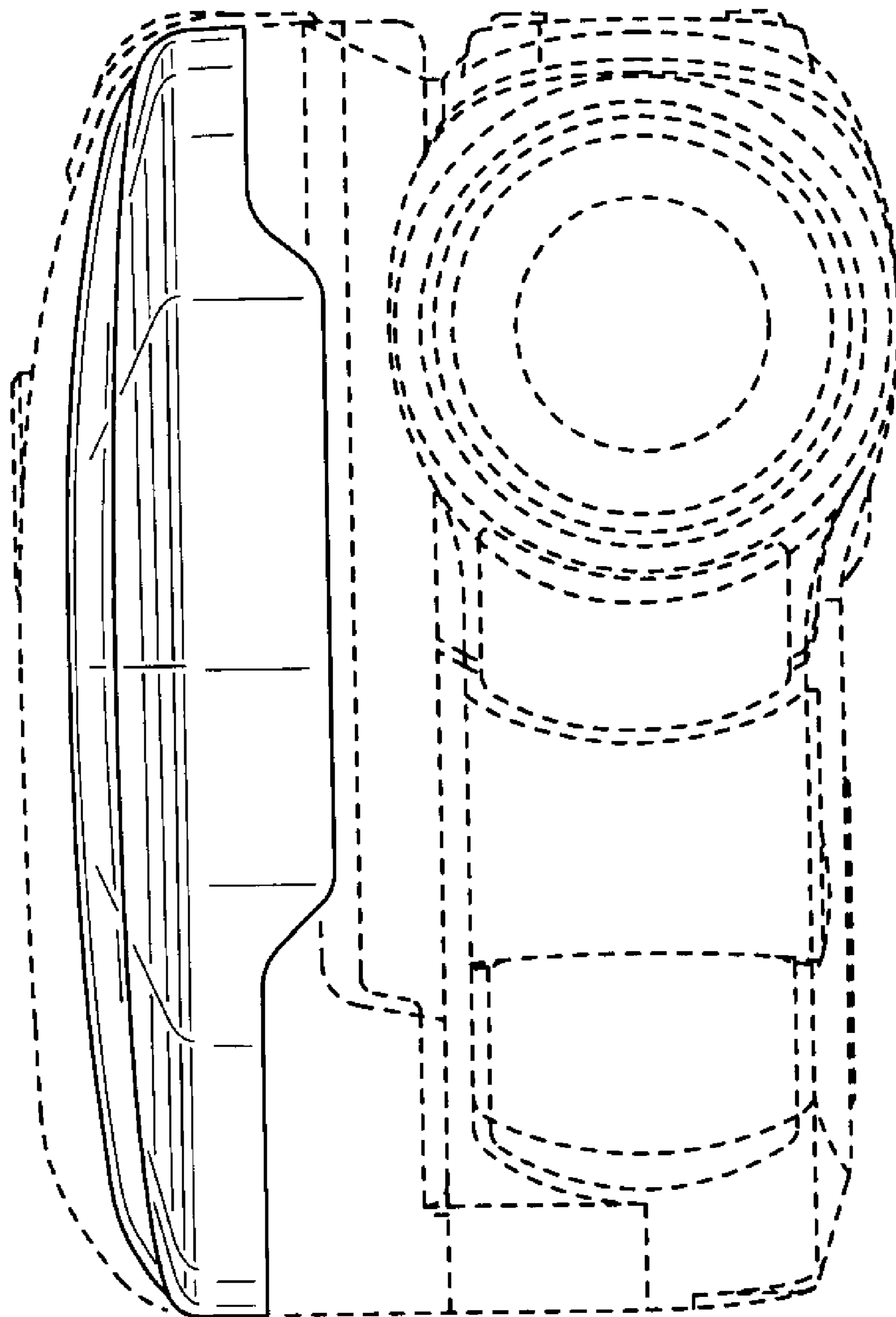


Fig.18

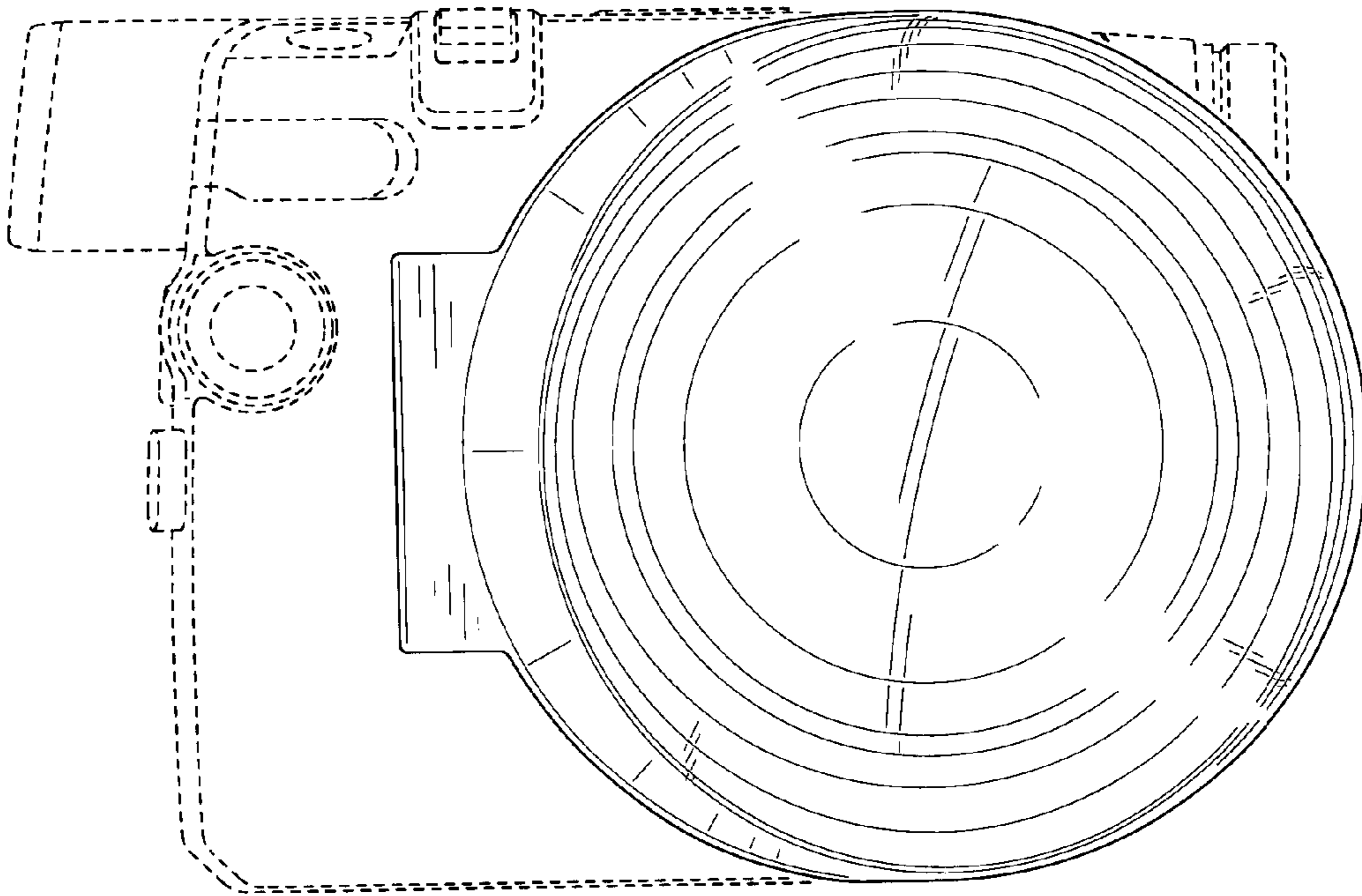


Fig.19

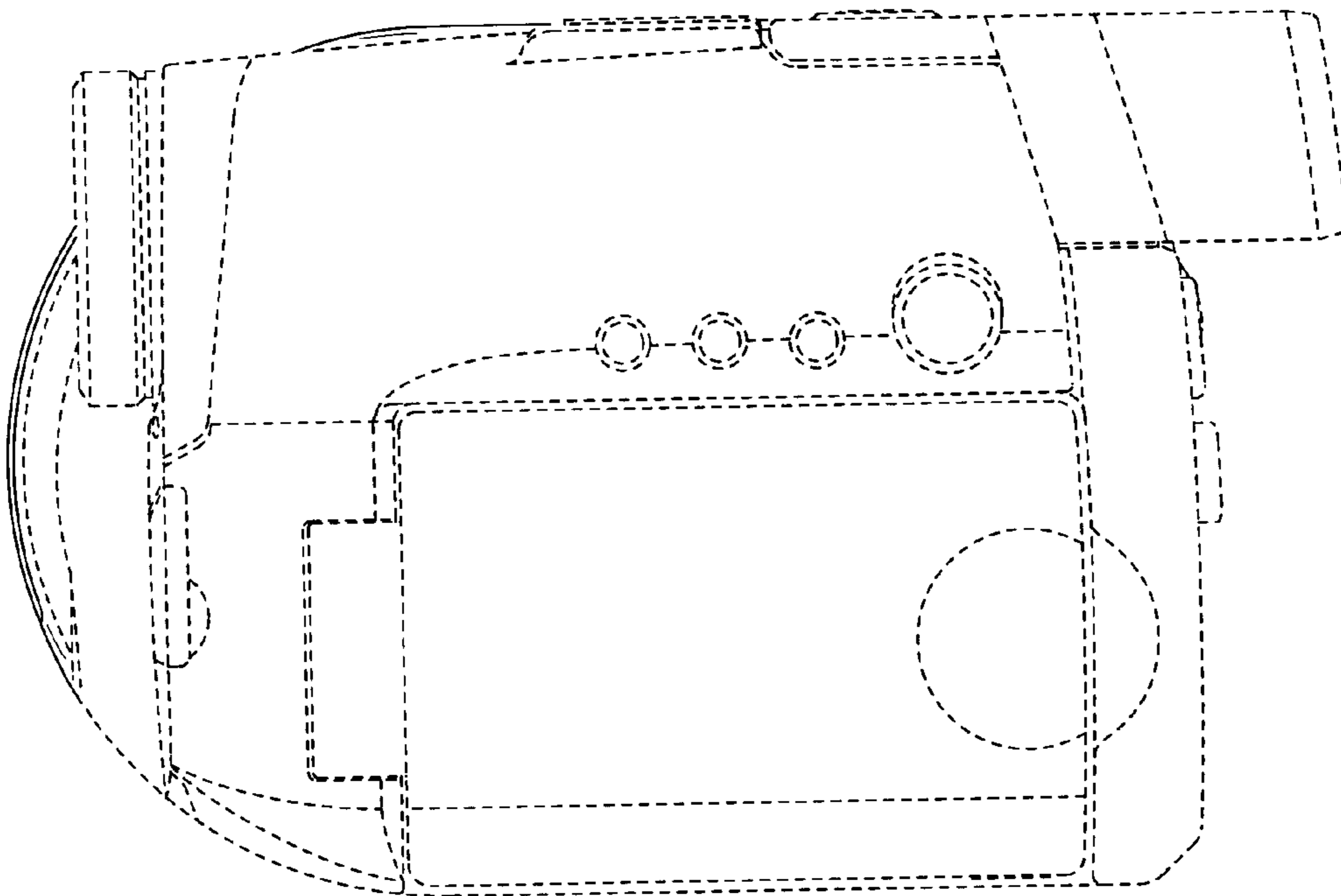


Fig.20

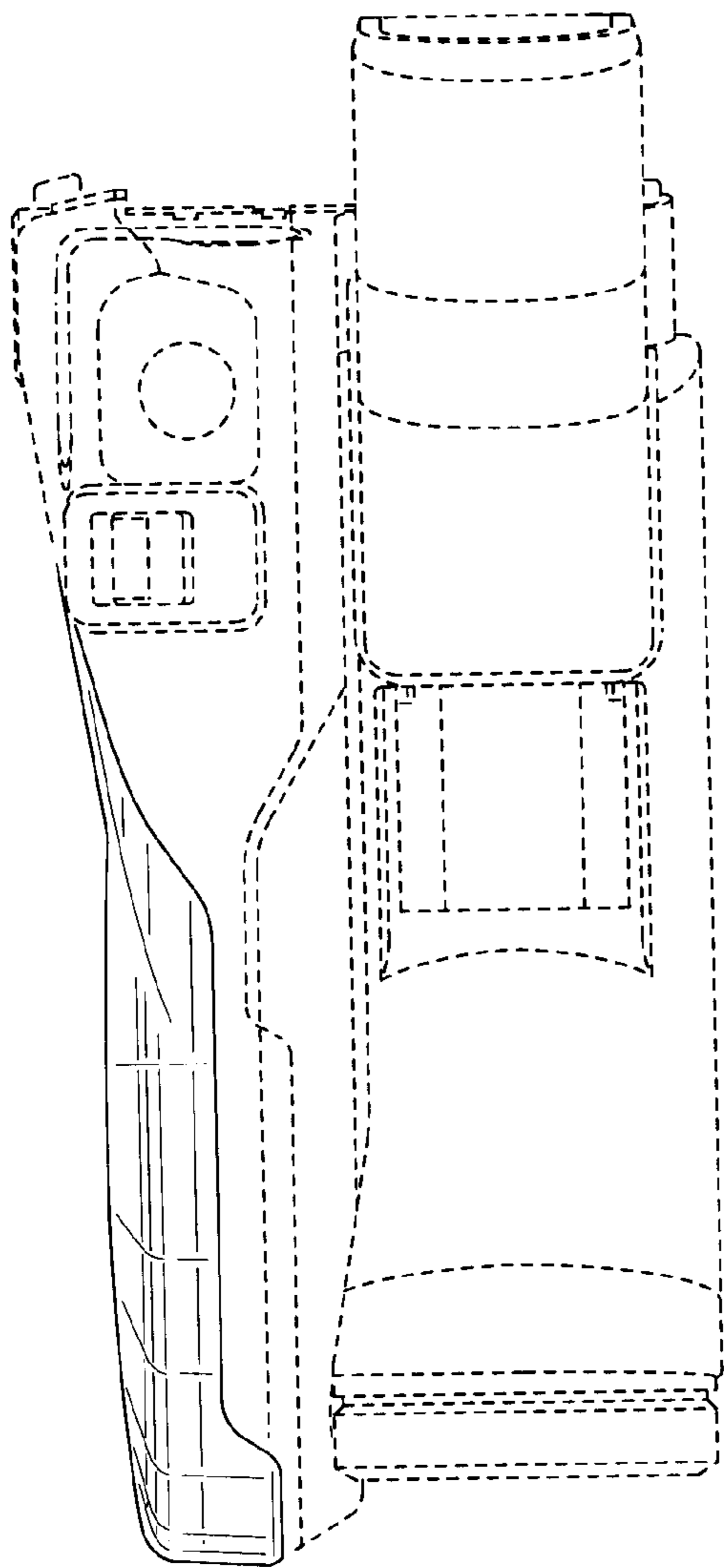


Fig.21

