



US00D524839S

(12) **United States Design Patent**
Wen et al.

(10) **Patent No.:** **US D524,839 S**

(45) **Date of Patent:** **** Jul. 11, 2006**

(54) **WEB CAMERA**

(75) Inventors: **Hsin-Hua Wen**, Tu-Chen (TW);
Tsung-Hsi Li, Tu-Chen (TW)

(73) Assignee: **Hon Hai Precision Ind. Co., Ltd.**,
Taipei Hsien (TW)

(**) Term: **14 Years**

(21) Appl. No.: **29/220,416**

(22) Filed: **Dec. 29, 2004**

(30) **Foreign Application Priority Data**

Nov. 18, 2004 (CN) 2004 3 0093396

(51) **LOC (8) Cl.** **16-01**

(52) **U.S. Cl.** **D16/202; D16/203**

(58) **Field of Classification Search** D16/200–205,
D16/208, 218; 348/14.01–14.1, 143, 151,
348/373–376; 358/906; 396/427, 428, 535–541
See application file for complete search history.

(56) **References Cited**

U.S. PATENT DOCUMENTS

D357,929 S * 5/1995 Pierce D16/202
5,610,678 A * 3/1997 Tsuboi et al. 348/375

D410,480 S * 6/1999 Takagi D16/202
D429,269 S * 8/2000 Renkis D16/203
D464,365 S * 10/2002 Su D16/202
D477,344 S * 7/2003 Ng D16/202
D486,509 S * 2/2004 Suzuki D16/202

* cited by examiner

Primary Examiner—Adir Aronovich

(74) *Attorney, Agent, or Firm*—Wei Te Chung

(57) **CLAIM**

The ornamental design for a web camera, as shown and described.

DESCRIPTION

FIG. 1 is a perspective view of a web camera of our new design;

FIG. 2 is a front elevational view thereof;

FIG. 3 is a rear elevational view thereof;

FIG. 4 is a left side elevational view thereof;

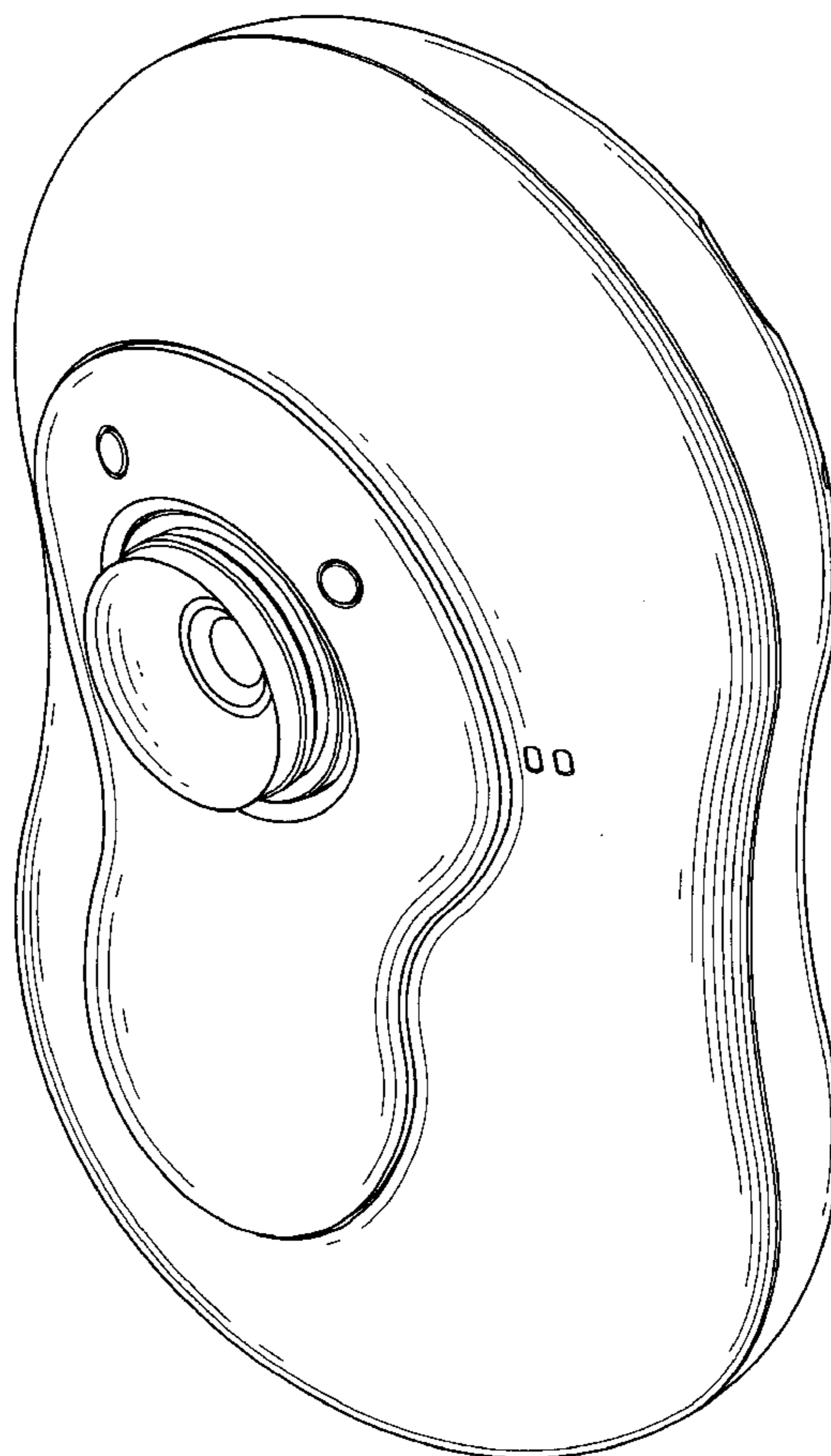
FIG. 5 is a right side elevational view thereof;

FIG. 6 is a top plan view thereof;

FIG. 7 is a bottom plan view thereof; and,

FIG. 8 is a perspective view thereof being used and the parts which are shown in broken lines for illustrative purposes only and form no part of the claimed design.

1 Claim, 7 Drawing Sheets



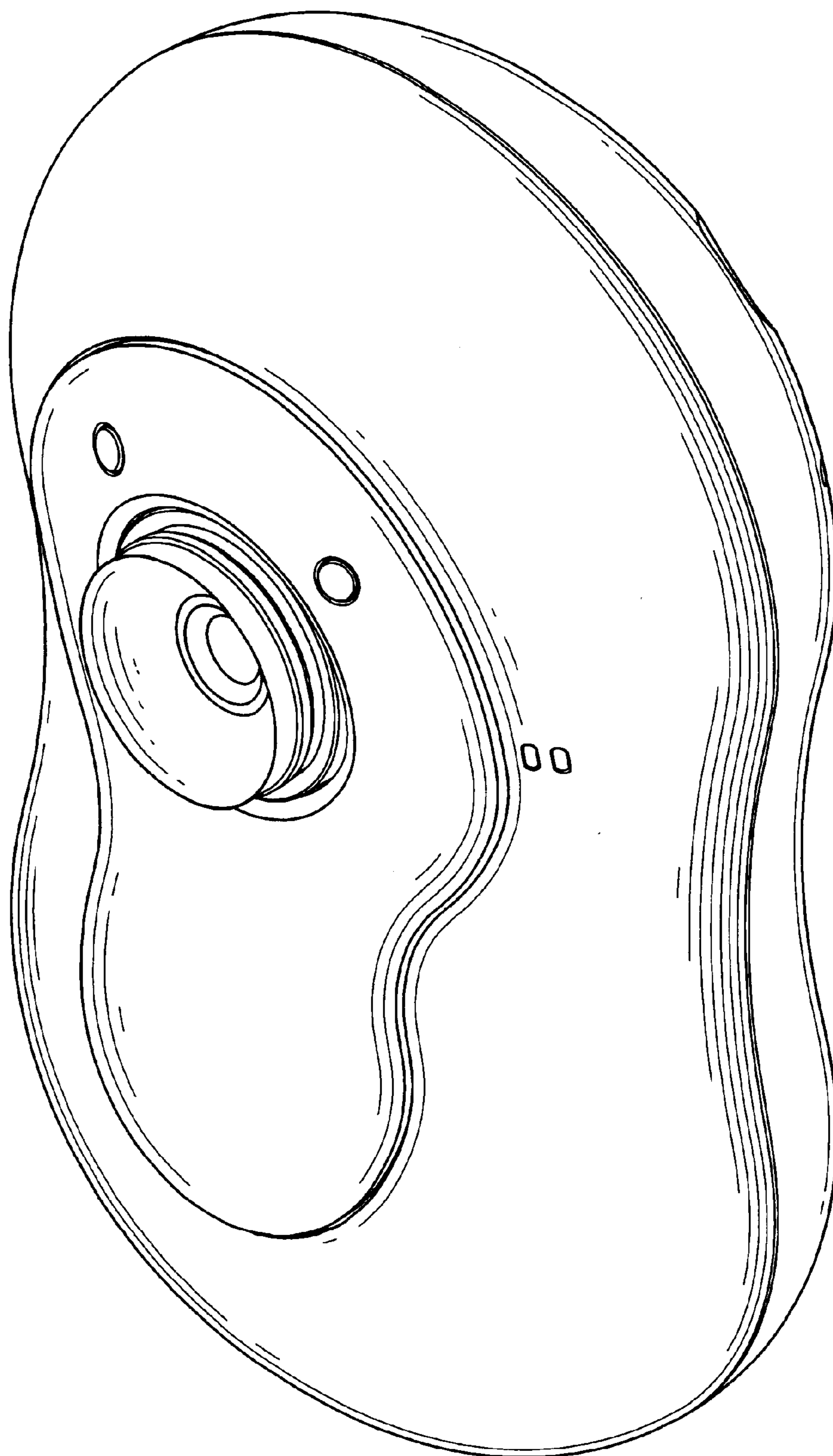
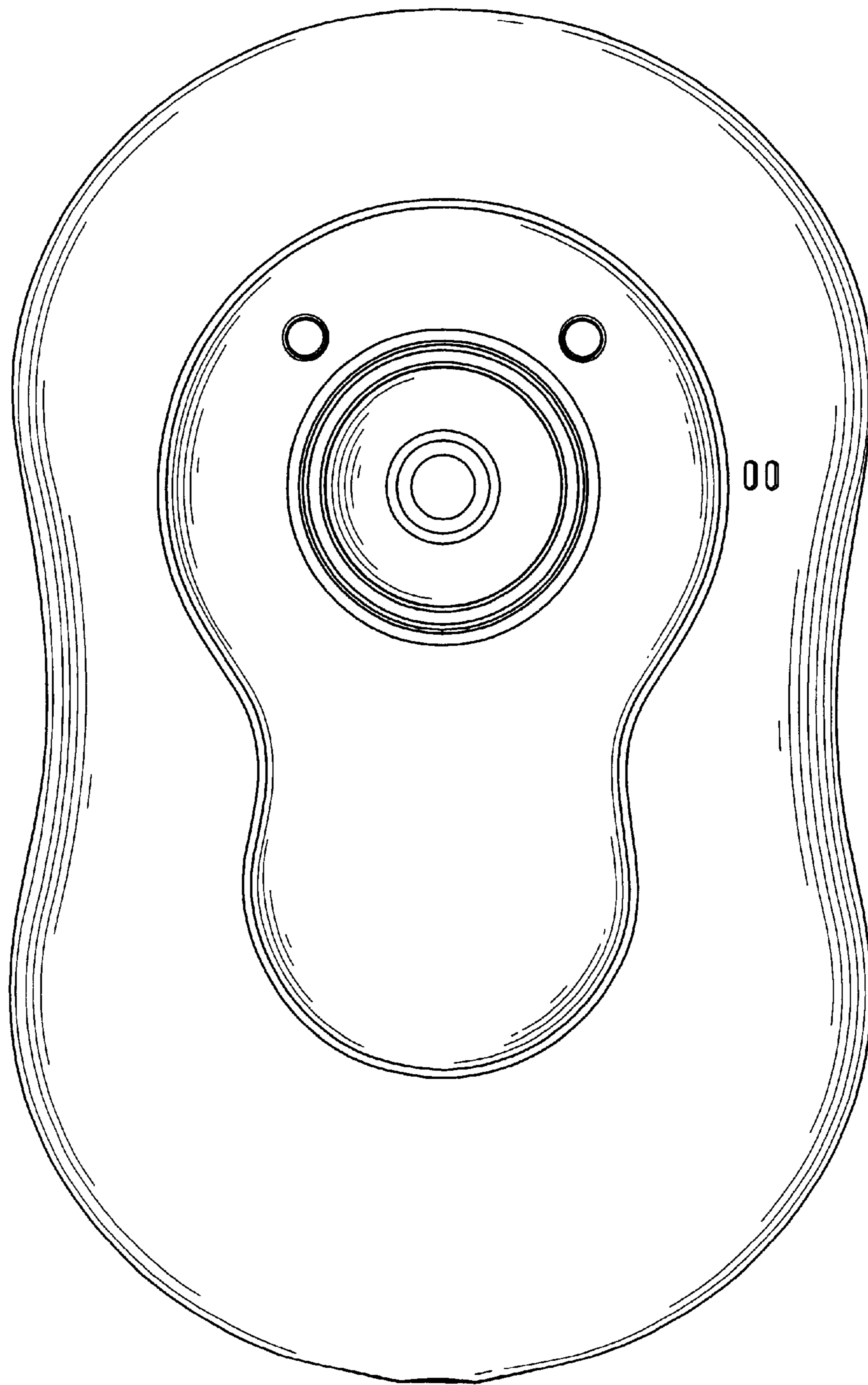


FIG. 1



00

FIG. 2

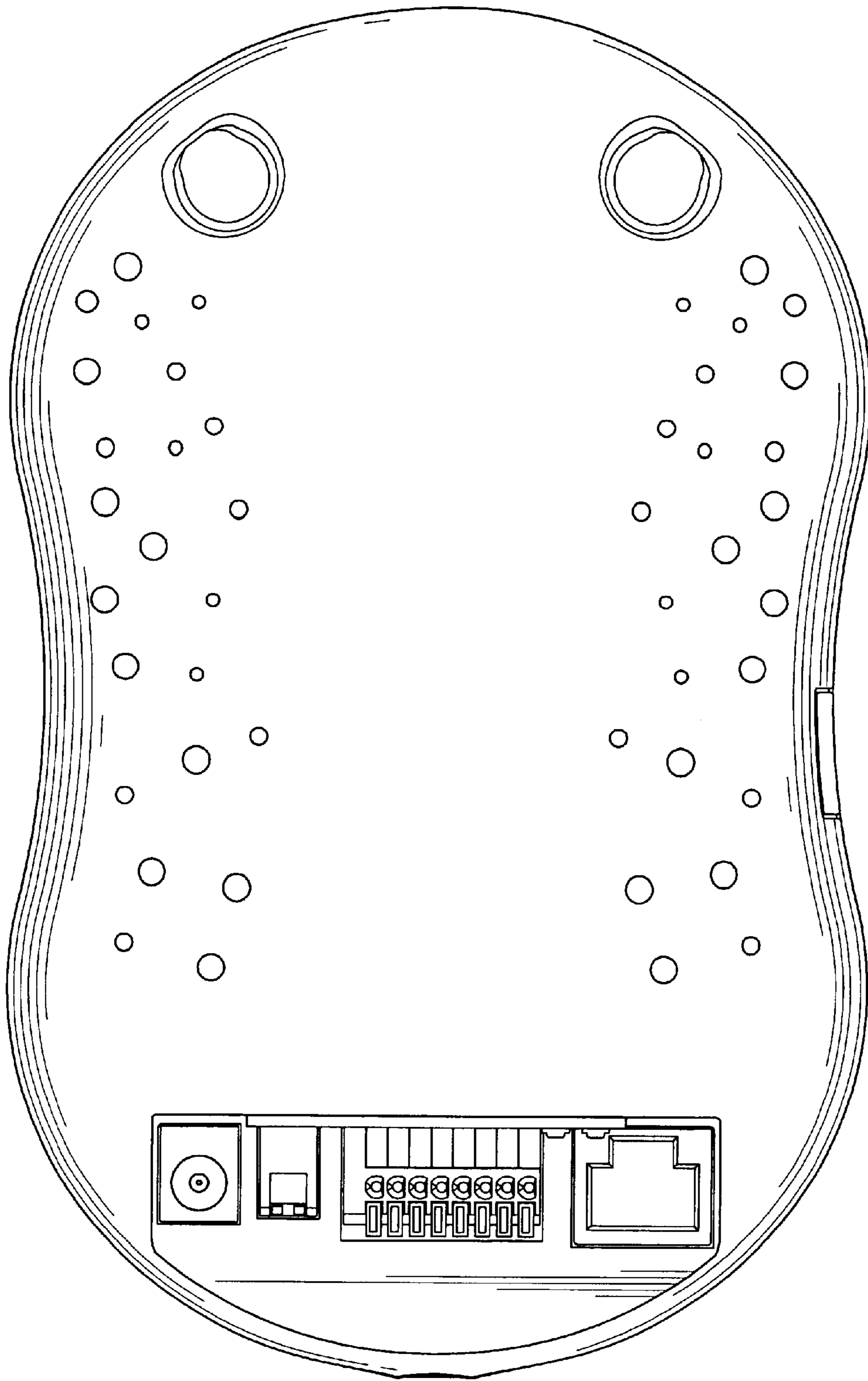


FIG. 3

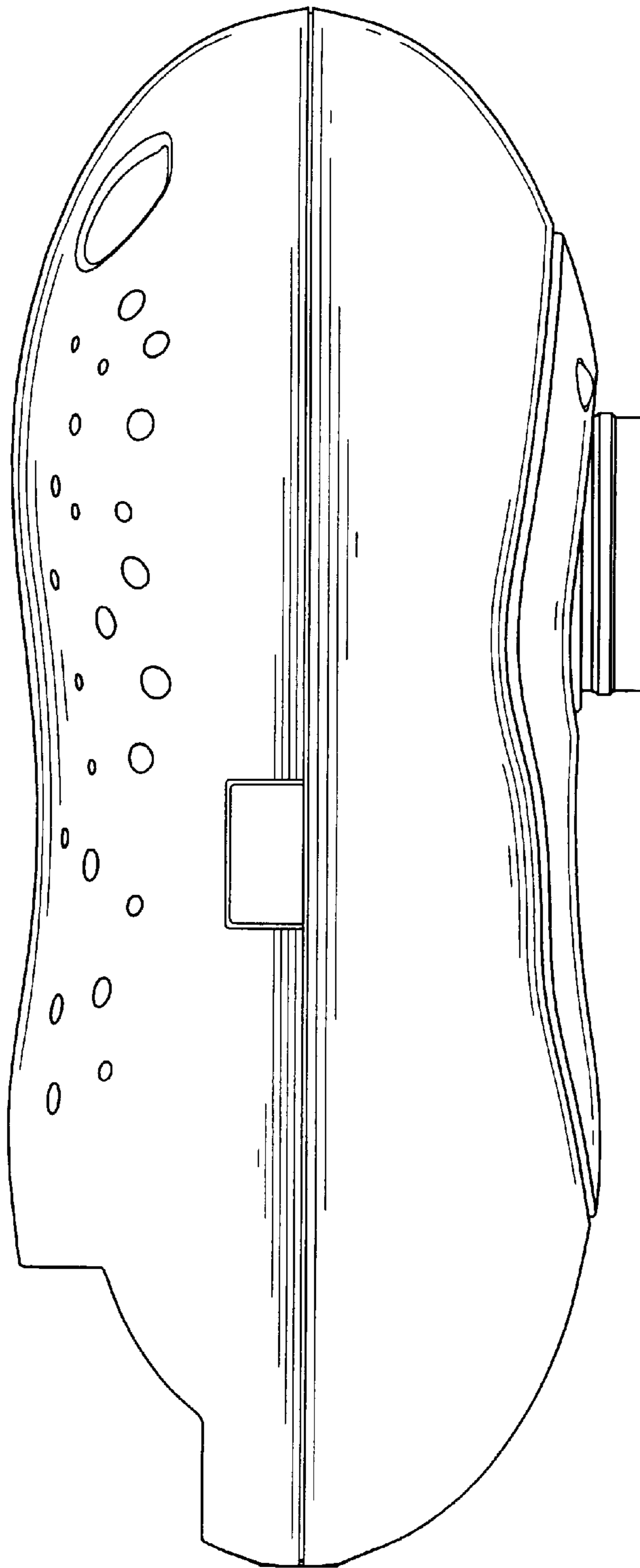


FIG. 4

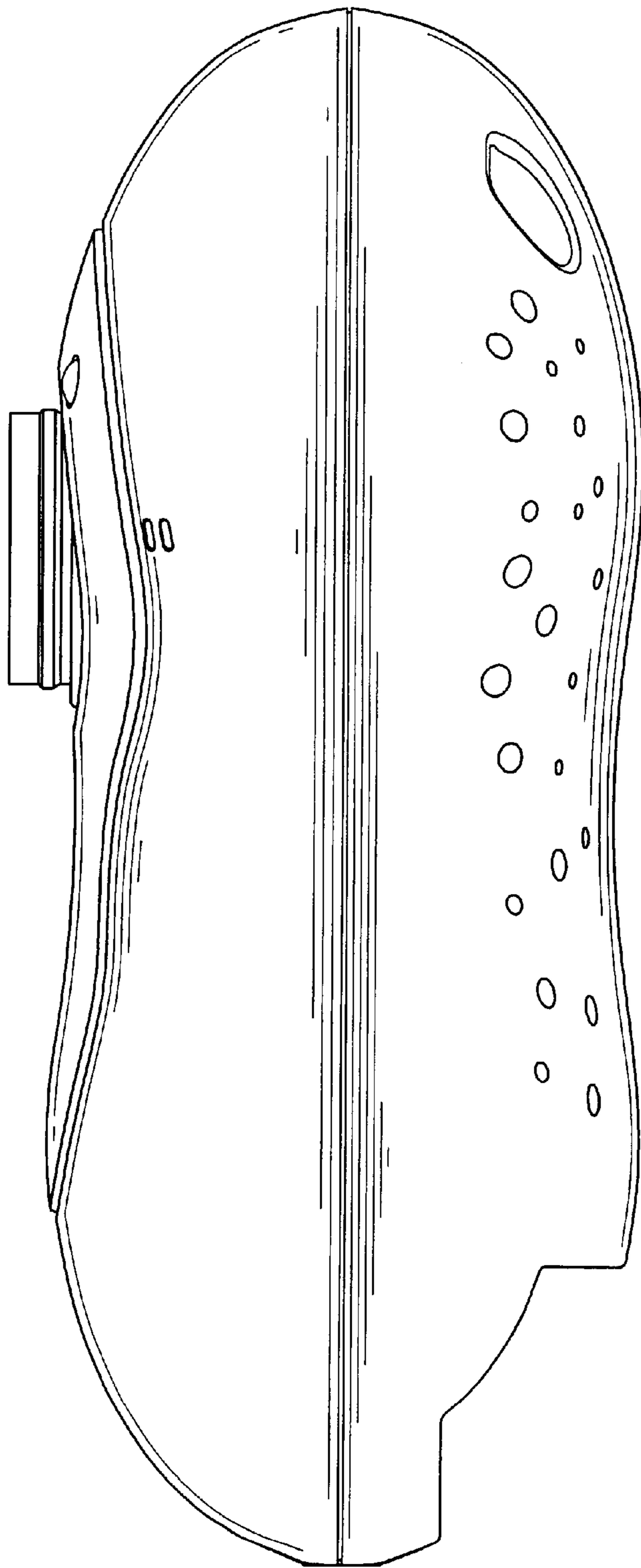


FIG. 5

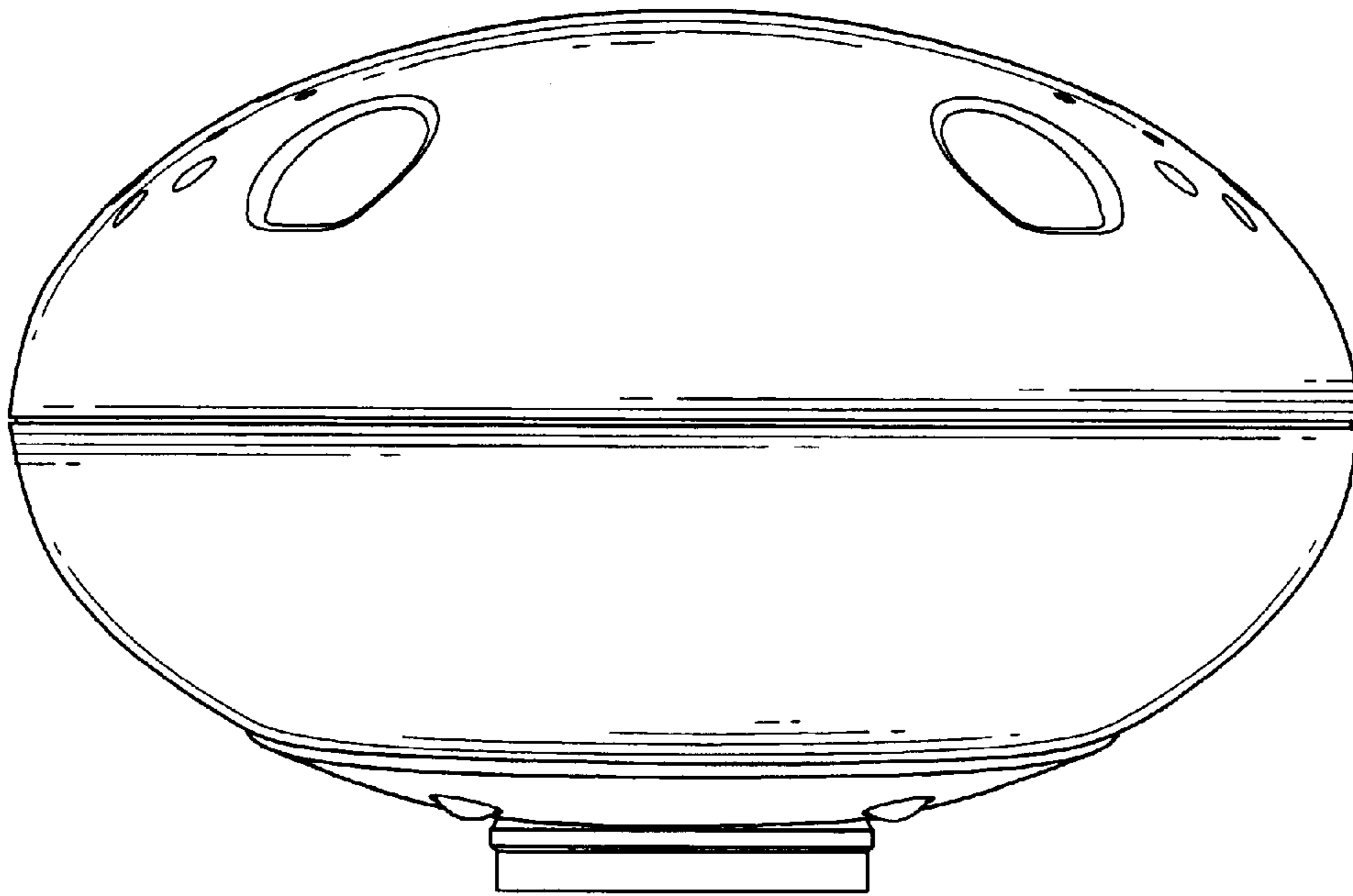


FIG. 6

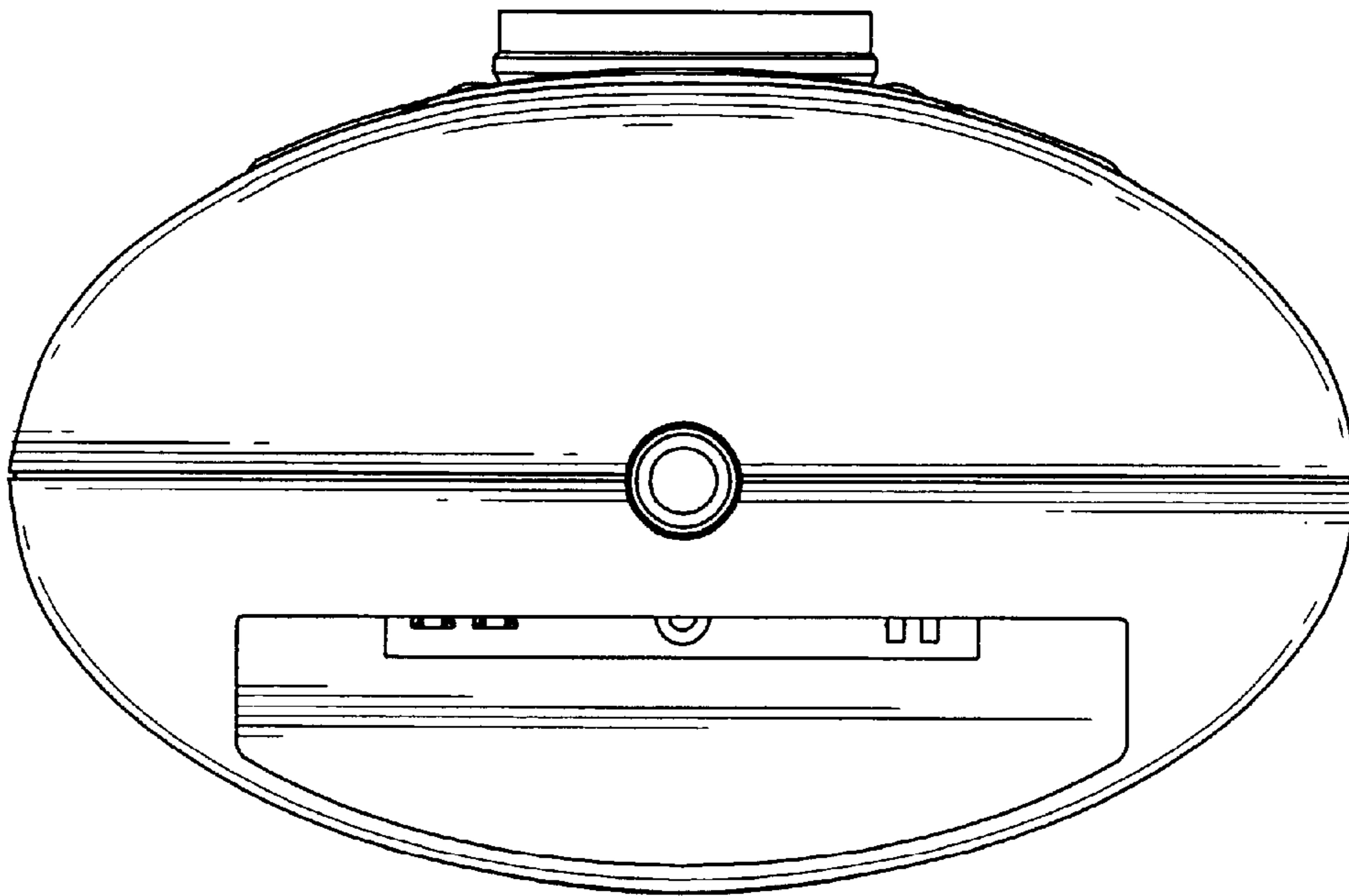


FIG. 7

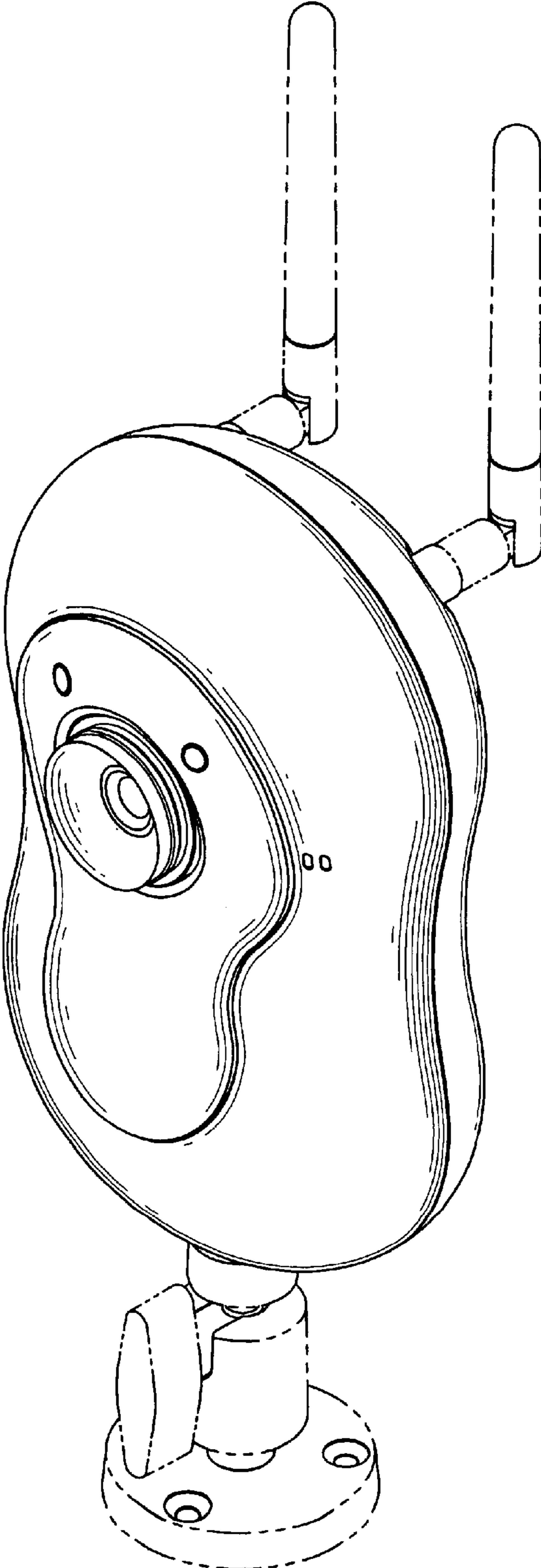


FIG. 8