

US00D524838S

(12) **United States Design Patent**
Watanabe

(10) **Patent No.:** **US D524,838 S**
(45) **Date of Patent:** **** Jul. 11, 2006**

(54) **DIGITAL CAMERA**

(75) Inventor: **Akira Watanabe**, Saitama (JP)

(73) Assignee: **PENTAX Corporation**, Tokyo (JP)

(**) Term: **14 Years**

(21) Appl. No.: **29/219,651**

(22) Filed: **Dec. 21, 2004**

(30) **Foreign Application Priority Data**

Jul. 6, 2004 (JP) 2004-020312

(51) **LOC (8) Cl.** **16-01**

(52) **U.S. Cl.** **D16/202**

(58) **Field of Classification Search** D16/200–204,
D16/208, 218, 219; 348/373–376; 358/909.1;
396/535–541

See application file for complete search history.

(56) **References Cited**

U.S. PATENT DOCUMENTS

5,555,052	A	*	9/1996	Pearson	396/538
D463,470	S	*	9/2002	Tse	D16/202
D482,054	S	*	11/2003	Nasu	D16/202
D483,050	S	*	12/2003	Kawai et al.	D16/209
D495,727	S	*	9/2004	Dow et al.	D16/202
D505,967	S	*	6/2005	Ko et al.	D16/218
D508,709	S	*	8/2005	Watanabe	D16/202
D509,524	S	*	9/2005	Watanabe	D16/219

FOREIGN PATENT DOCUMENTS

JP 1214003 8/2004

* cited by examiner

Primary Examiner—Adir Aronovich

(74) *Attorney, Agent, or Firm*—Sughrue Mion, PLLC

(57) **CLAIM**

The ornamental design for a digital camera, as shown and described.

DESCRIPTION

FIG. 1 is a perspective view of the front, top and right sides of a digital camera showing my new design;

FIG. 2 is a perspective view of the rear, top and left sides thereof;

FIG. 3 is a front elevational view thereof;

FIG. 4 is a rear elevational view thereof;

FIG. 5 is a left side elevational view thereof;

FIG. 6 is a right side elevational view thereof;

FIG. 7 is a top plan view thereof;

FIG. 8 is a bottom plan view thereof;

FIG. 9 is an enlarged partial view thereof in a state taking a picture, the broken line showing of a frame around the lens is for illustrative purposes only and forms no part of the claimed design; and,

FIG. 10 is a perspective view of the front, top and right sides thereof in a state of taking a picture.

1 Claim, 8 Drawing Sheets

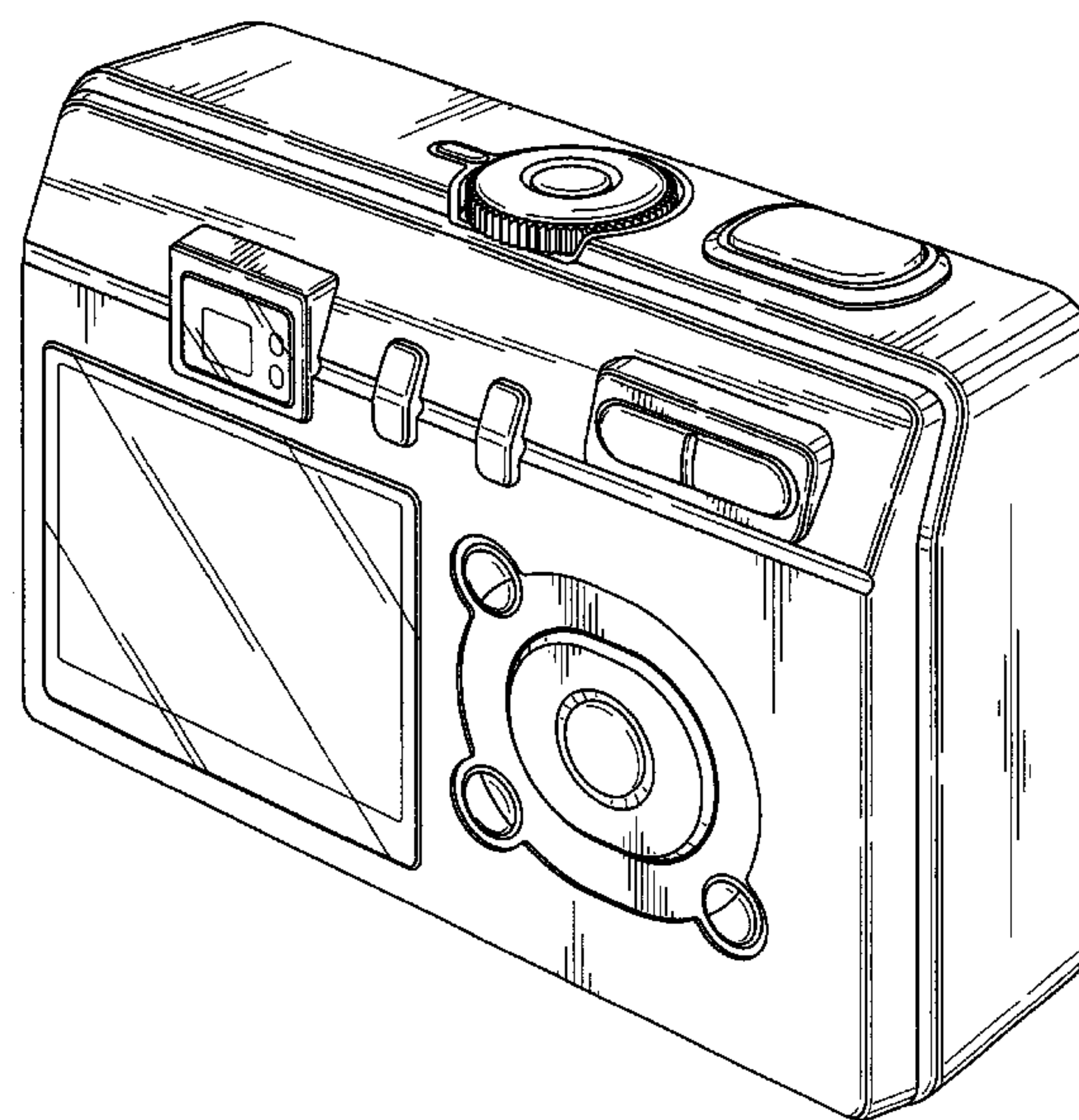
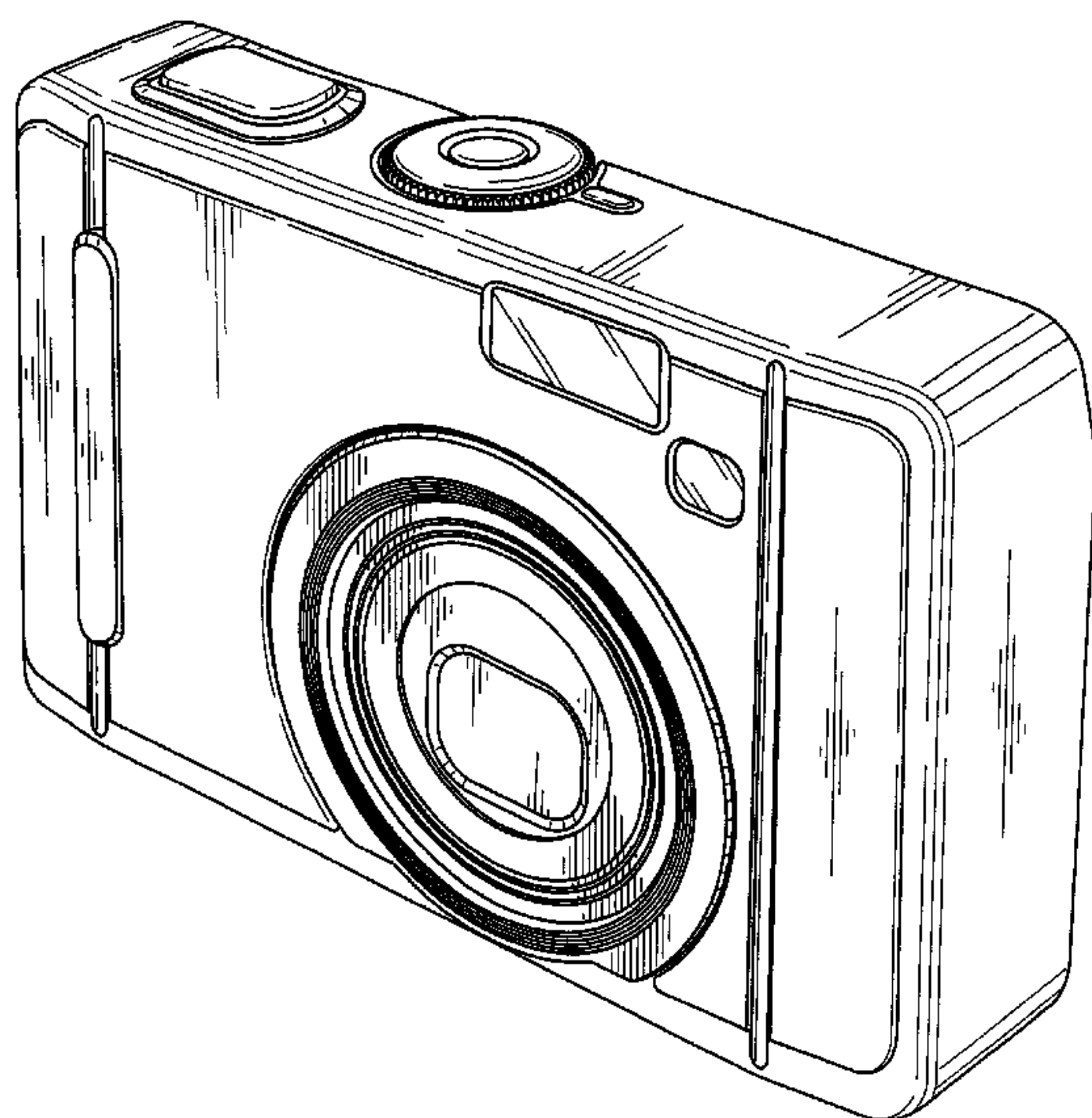


FIG. 1

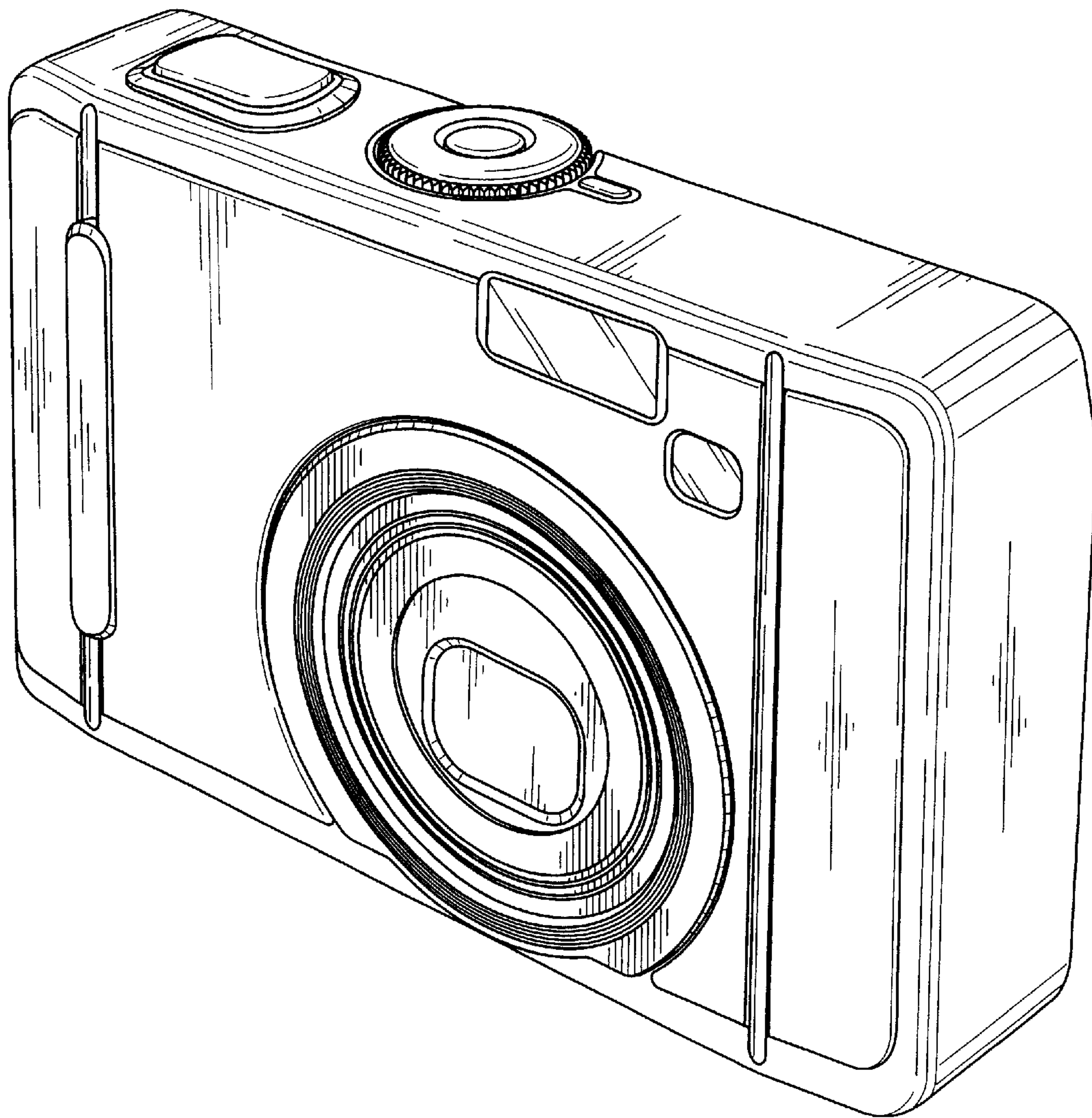


FIG. 2

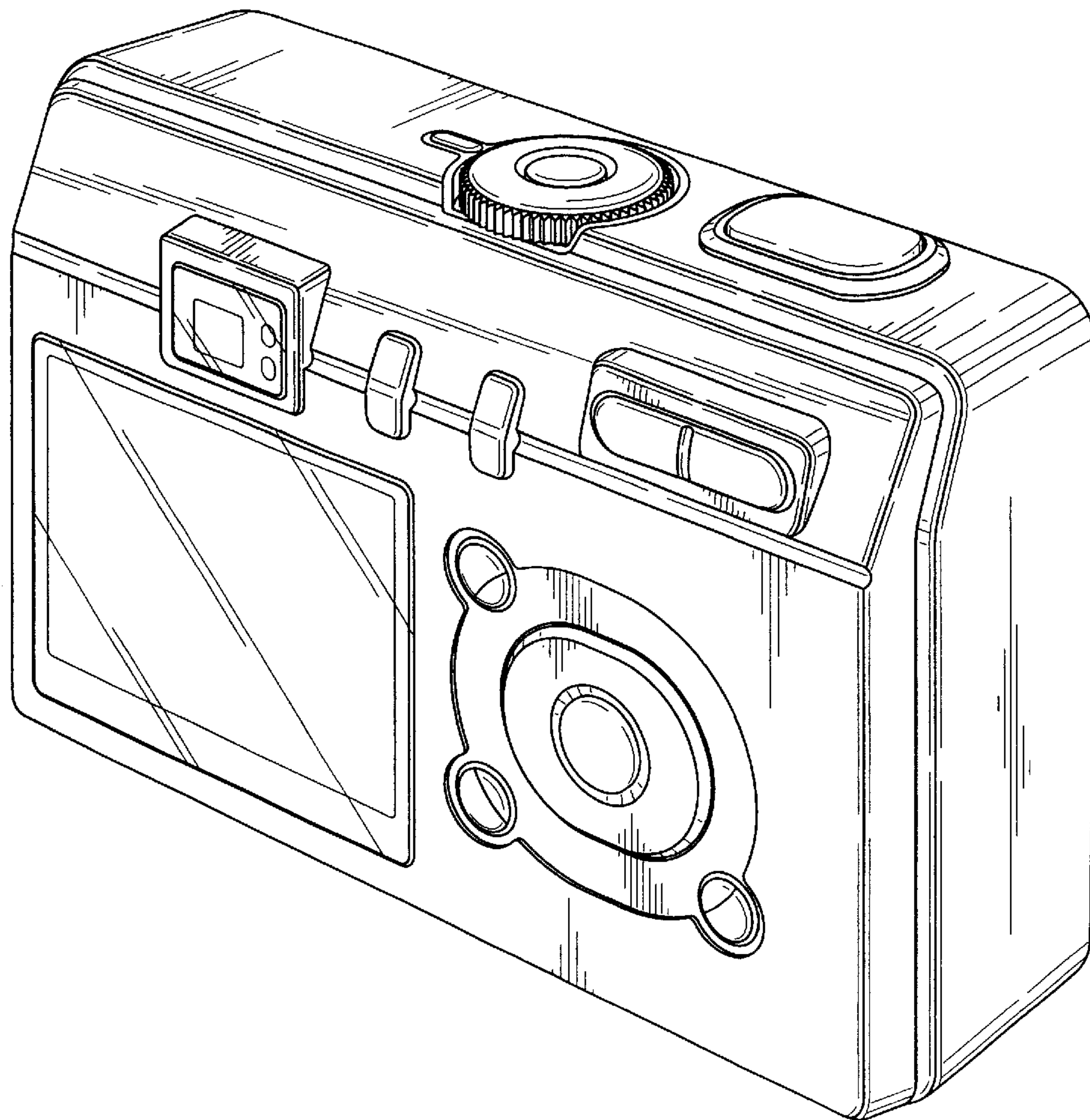


FIG. 3

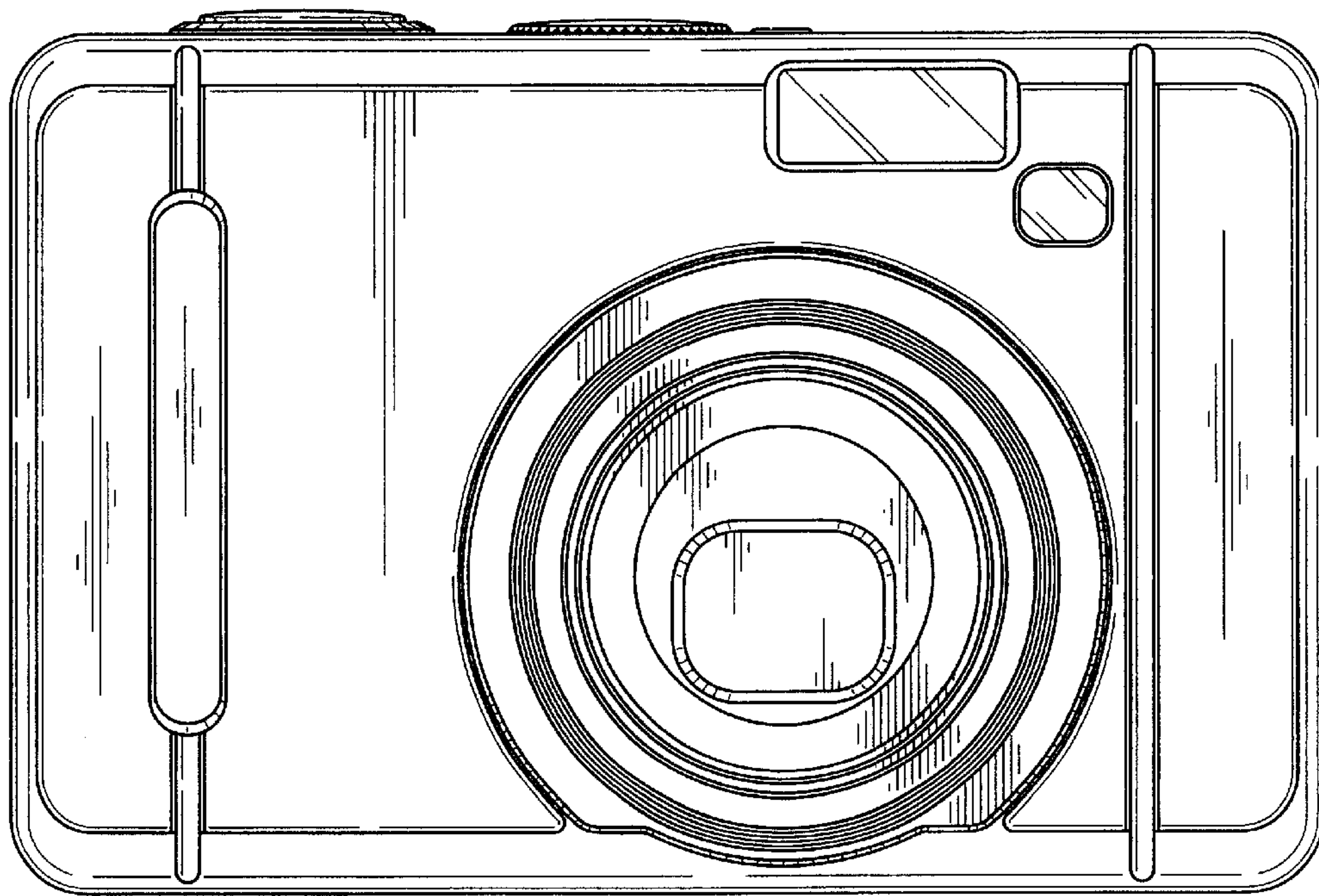


FIG. 4

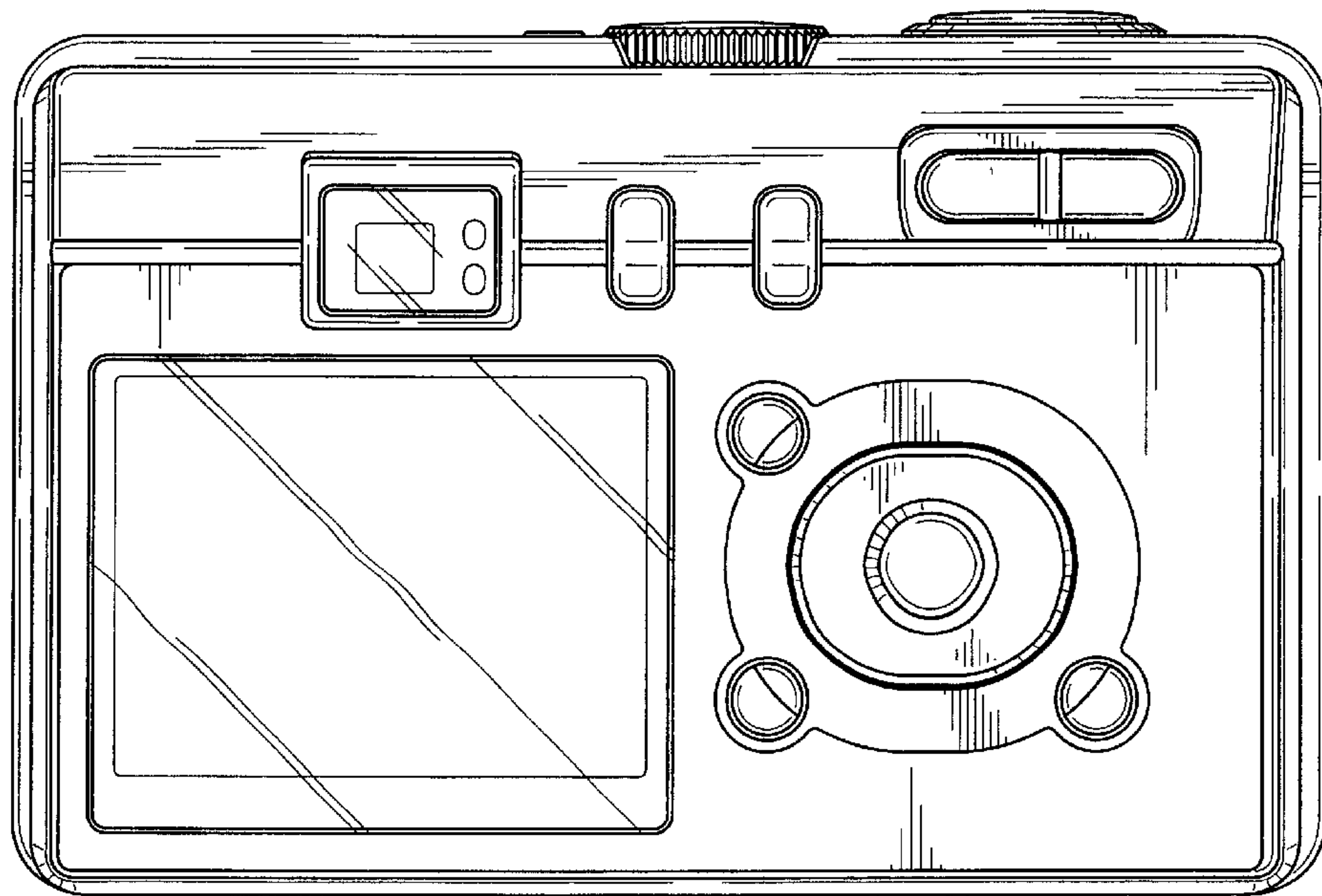


FIG. 5

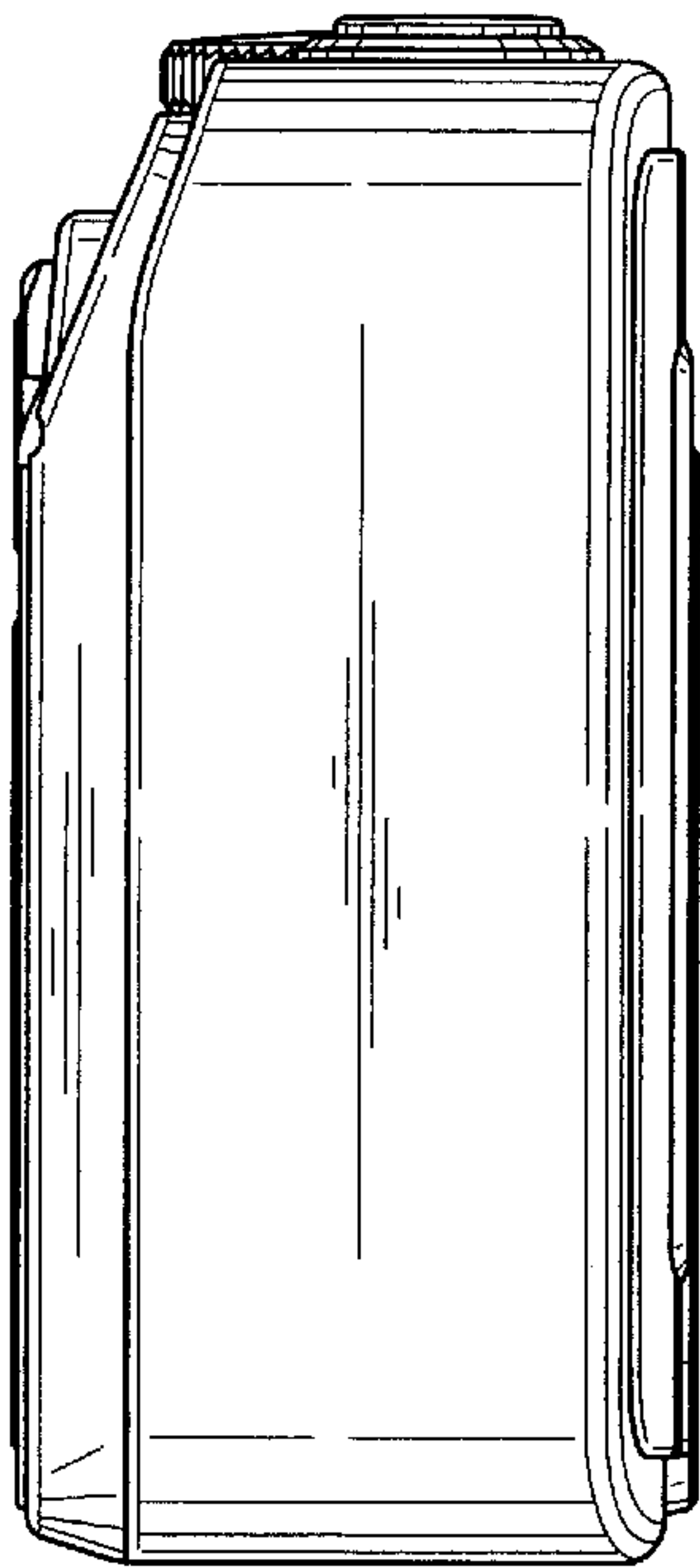


FIG. 6

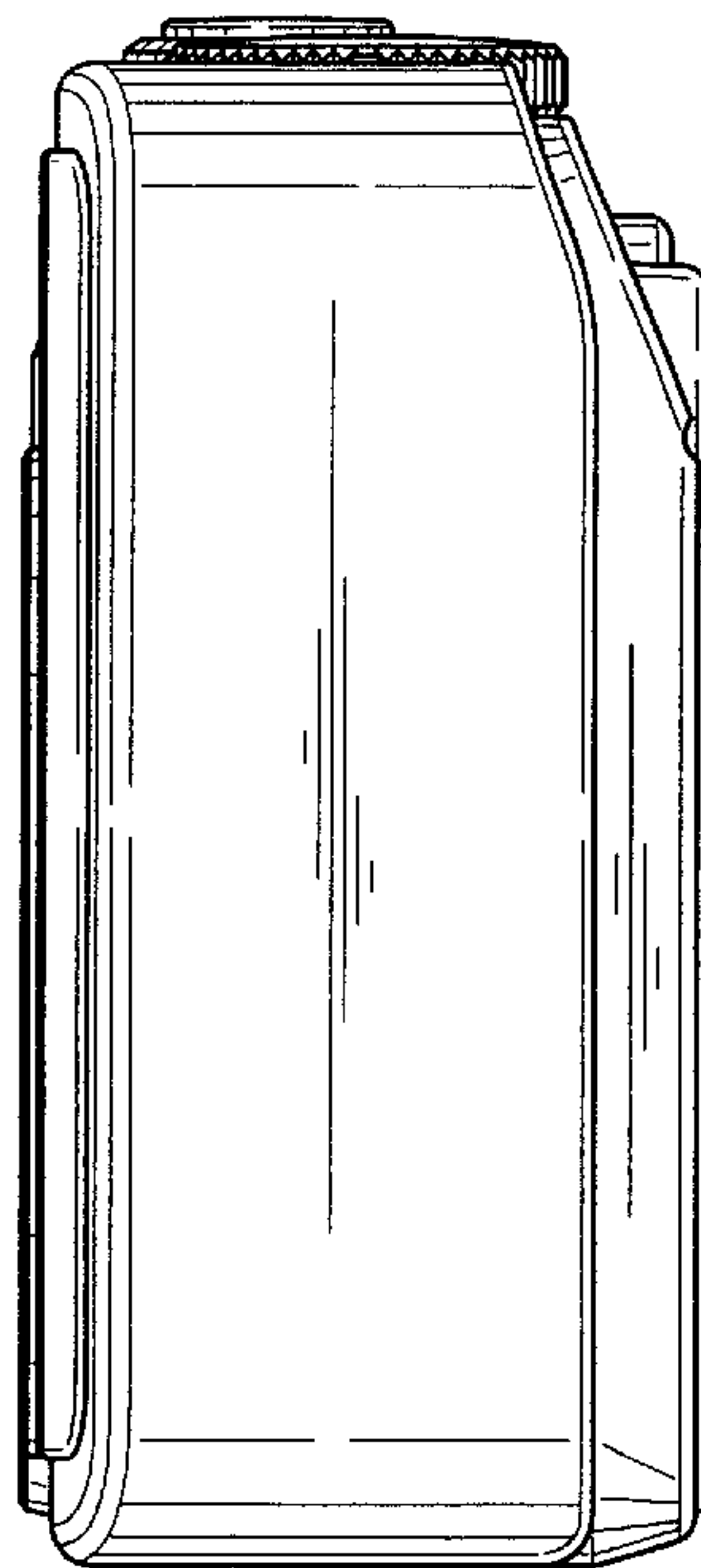


FIG. 7

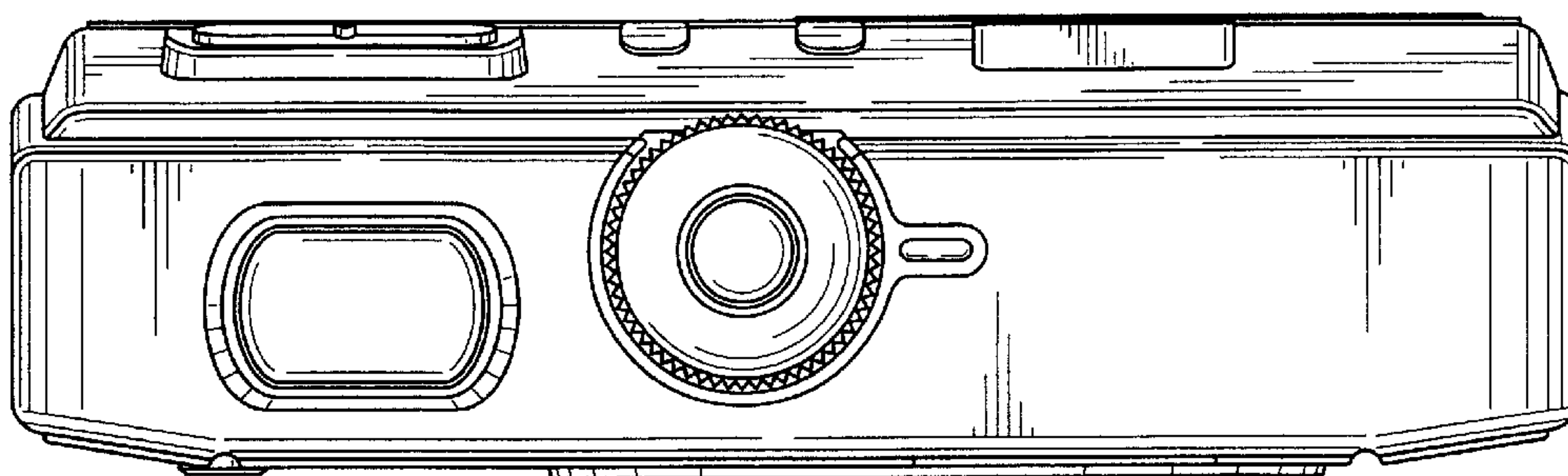


FIG. 8

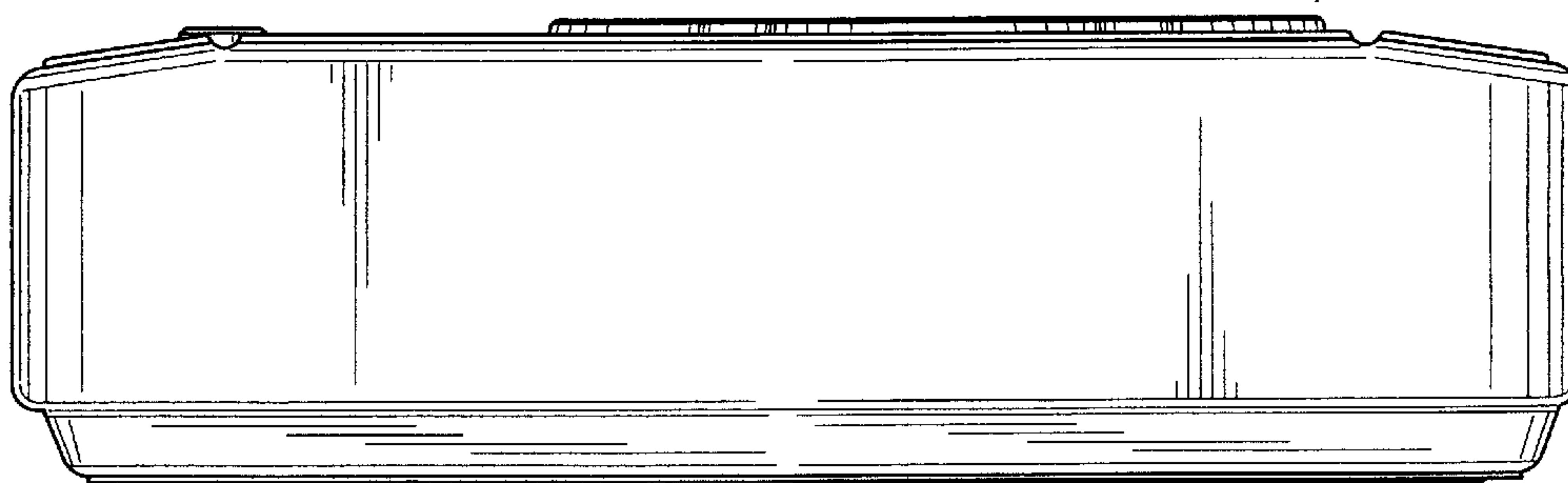


FIG. 9

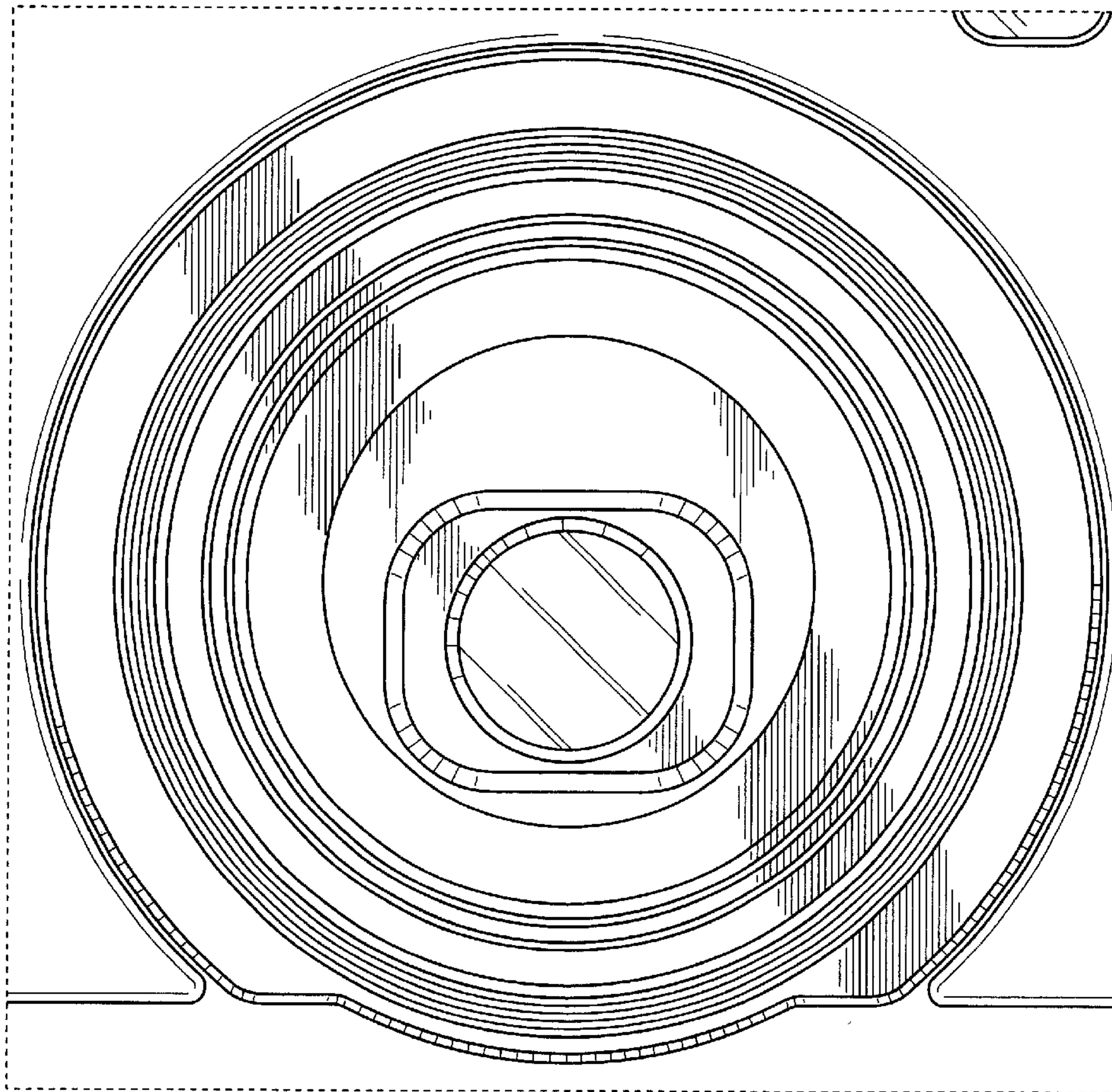


FIG. 10

