

US00D524837S

(12) **United States Design Patent**  
**Chen et al.**

(10) **Patent No.:** **US D524,837 S**

(45) **Date of Patent:** **\*\* Jul. 11, 2006**

(54) **DIGITAL CAMERA**

(75) Inventors: **Chih-Hui Chen**, Taichung (TW);  
**Bo-Hung Lin**, Taichung (TW)

(73) Assignee: **Asia Optical Co., Inc.**, Taichung (TW)

(\*\*) Term: **14 Years**

(21) Appl. No.: **29/219,110**

(22) Filed: **Dec. 14, 2004**

(51) **LOC (8) Cl.** ..... **16-01**

(52) **U.S. Cl.** ..... **D16/202; D16/218**

(58) **Field of Classification Search** ..... D16/200–205,  
D16/208, 209, 218; 348/373–376; 358/909.1;  
396/6, 7, 535–541

See application file for complete search history.

(56) **References Cited**

**U.S. PATENT DOCUMENTS**

- D370,925 S \* 6/1996 McBride et al. .... D16/209
- D426,251 S \* 6/2000 Wood ..... D16/218
- D438,229 S \* 2/2001 Kawai ..... D16/218
- D456,431 S \* 4/2002 Kim ..... D16/202

- D487,103 S \* 2/2004 Chin ..... D16/202
- D494,612 S \* 8/2004 Yang et al. .... D16/202
- 6,788,894 B1 \* 9/2004 Suzuki et al. .... 348/373

\* cited by examiner

*Primary Examiner*—Adir Aronovich

(74) *Attorney, Agent, or Firm*—Bacon & Thomas, PLLC

(57) **CLAIM**

The ornamental design for a digital camera, as shown and described.

**DESCRIPTION**

FIG. 1 shows a top front and right side perspective view of a digital camera showing our new design.

FIG. 2 shows a right side elevational view of the present design.

FIG. 3 shows a top plan view of the present design.

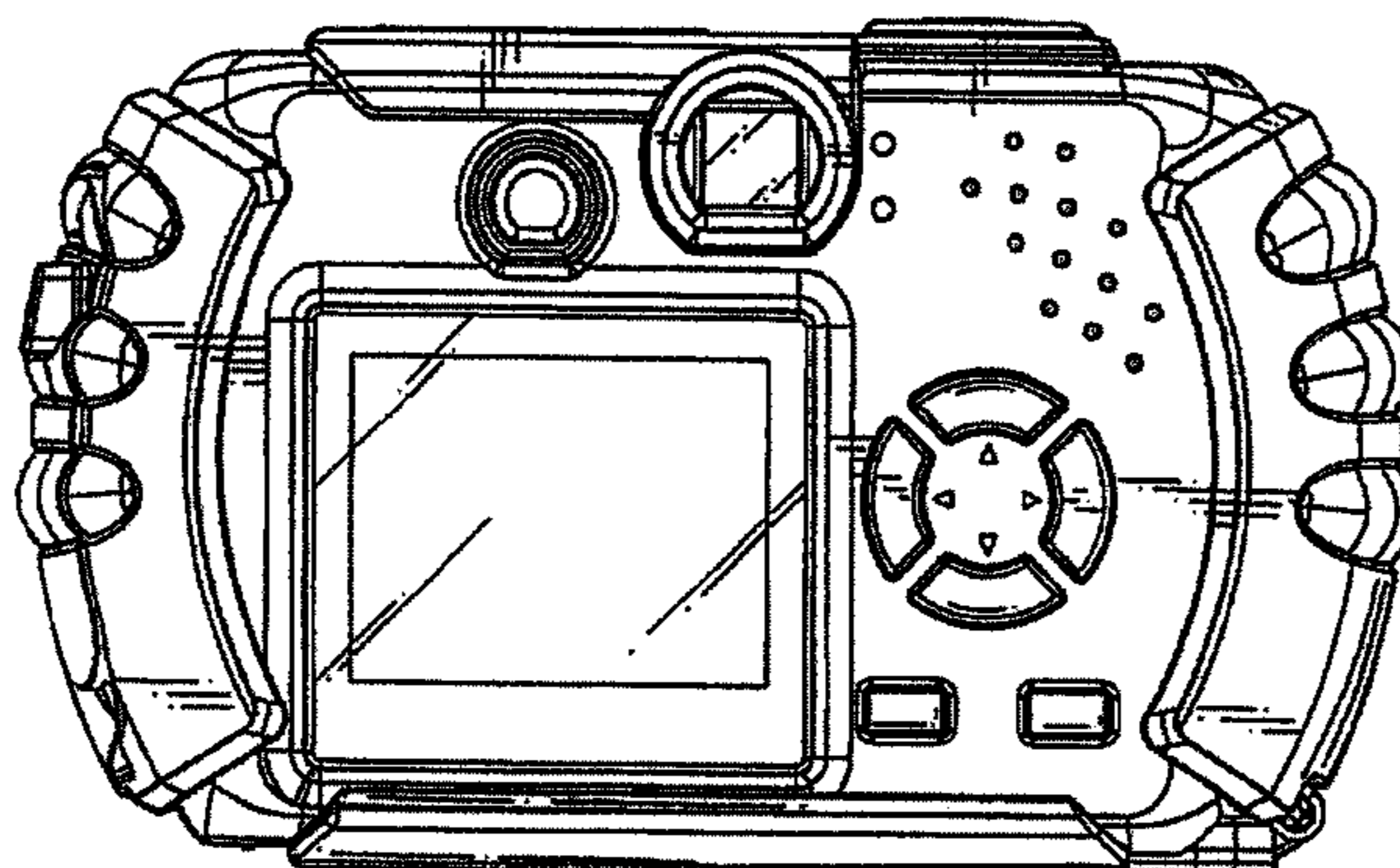
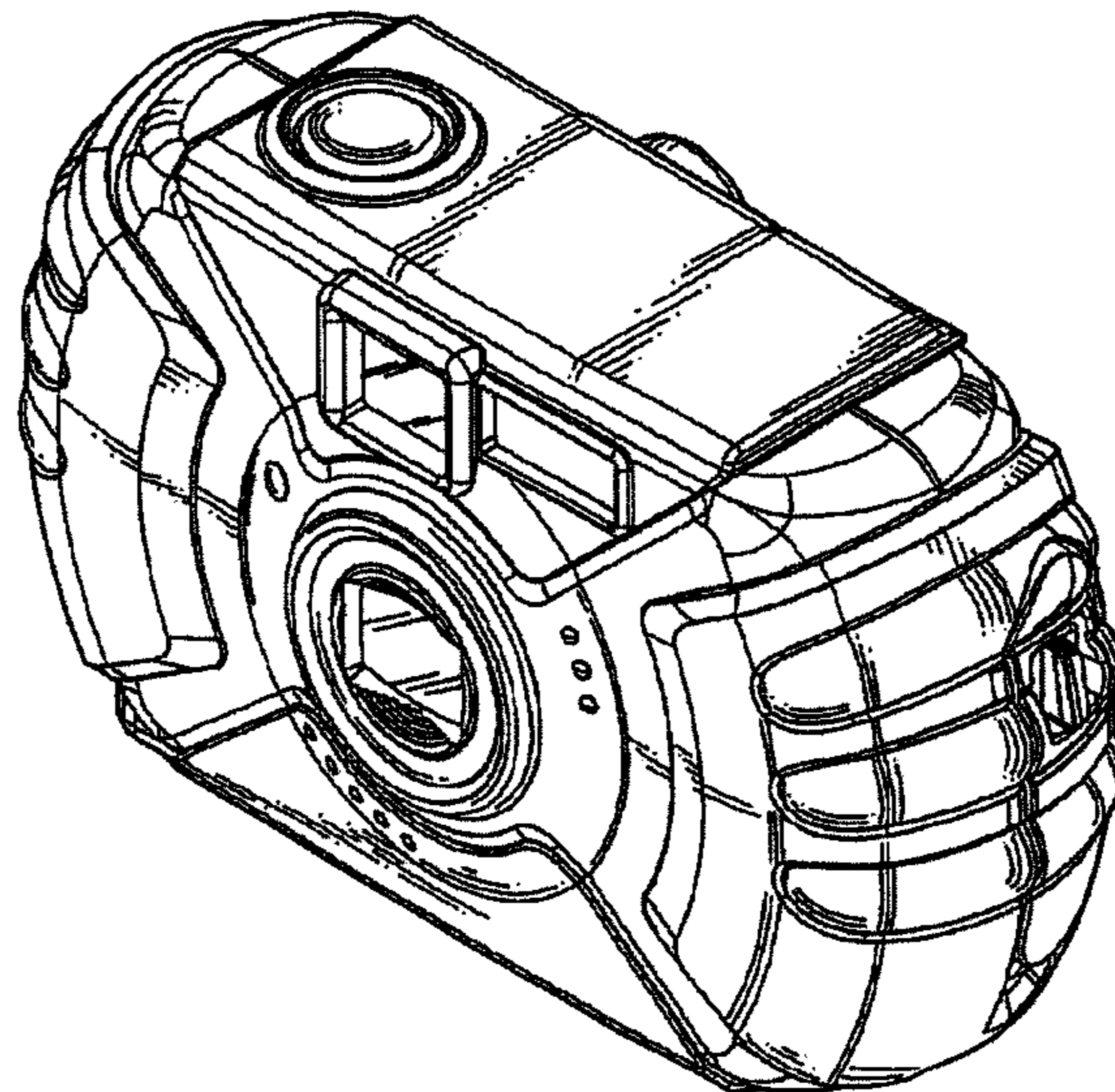
FIG. 4 shows a front elevational view of the present design.

FIG. 5 shows a bottom plan view of the present design.

FIG. 6 shows a left side elevational view of the present design; and,

FIG. 7 shows a rear elevational view of the present design.

**1 Claim, 4 Drawing Sheets**



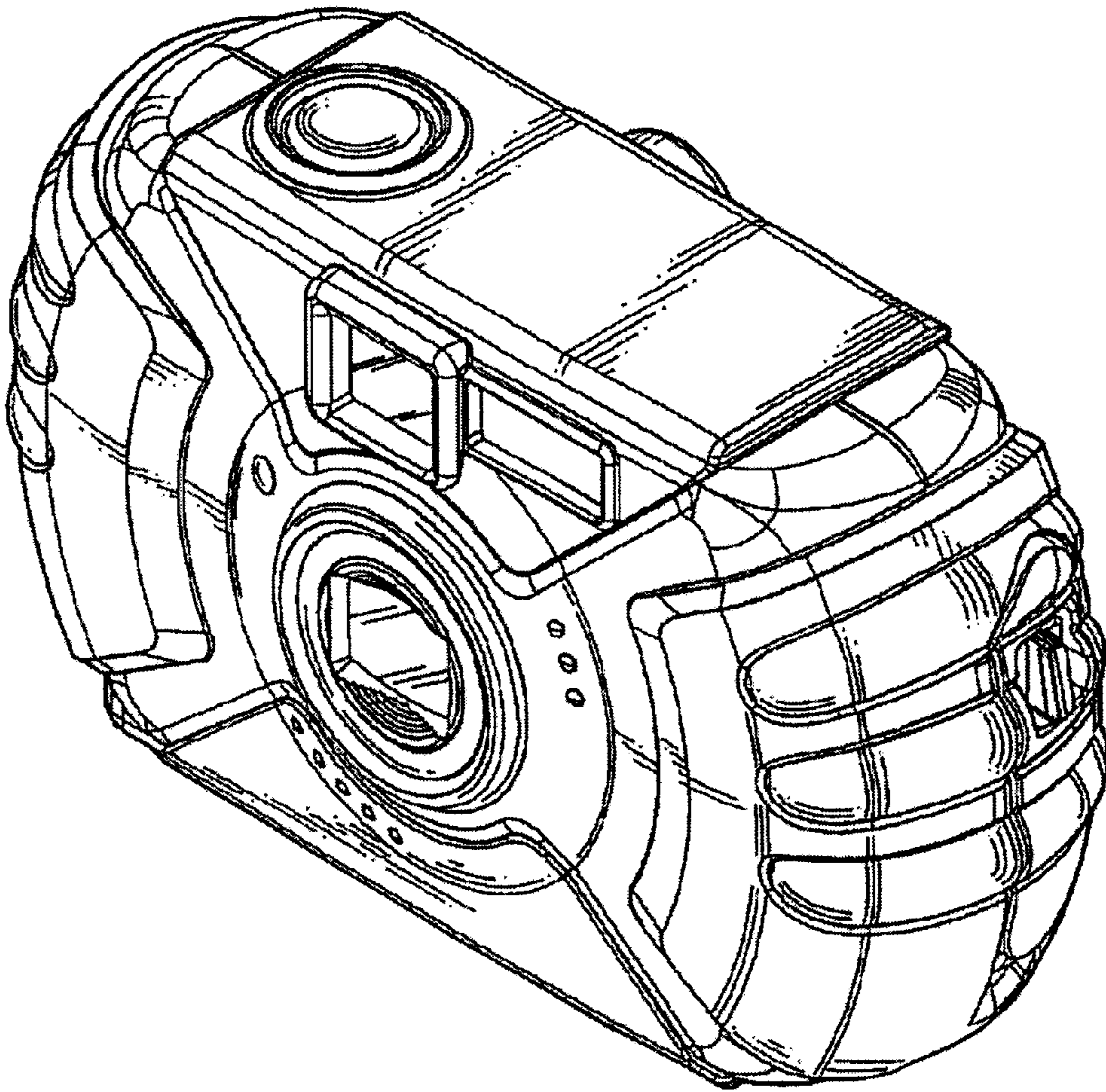


FIG. 1

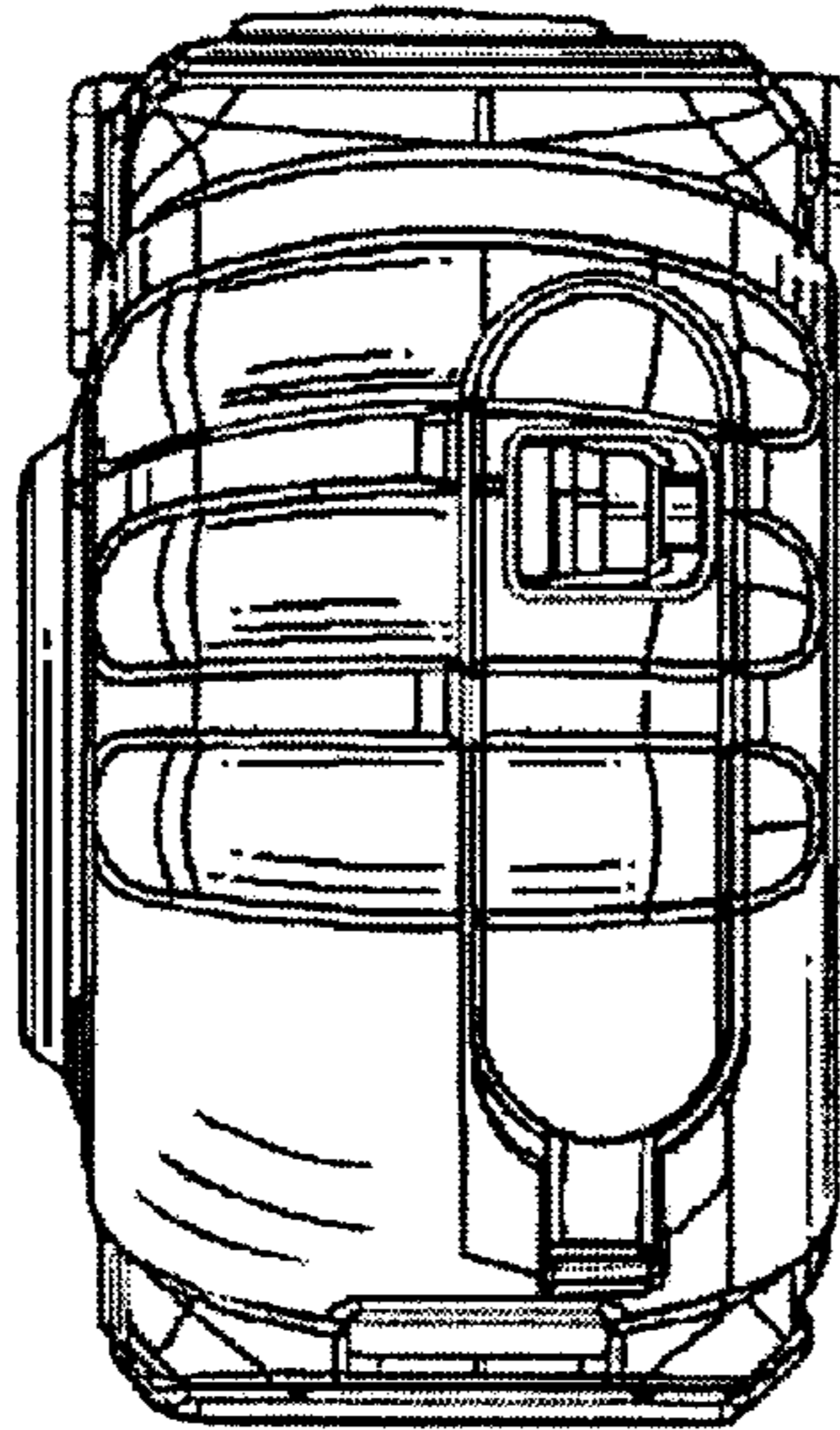


FIG. 2

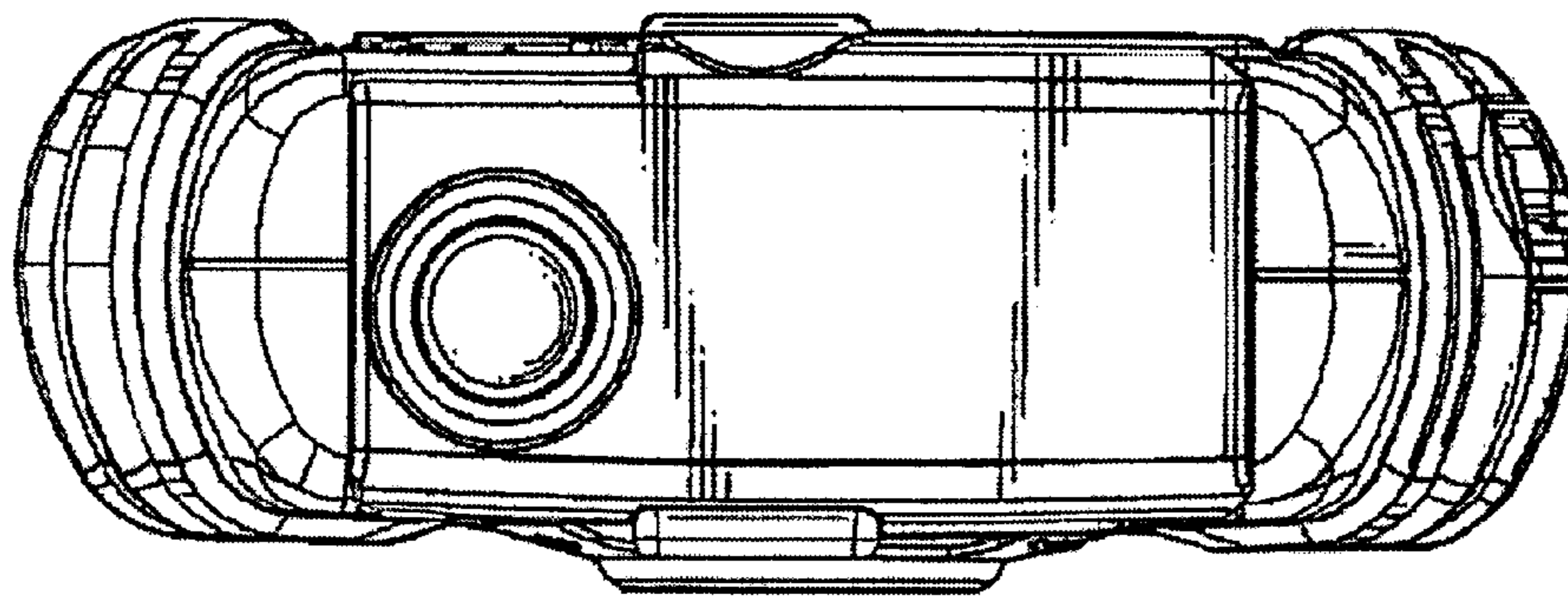


FIG. 3

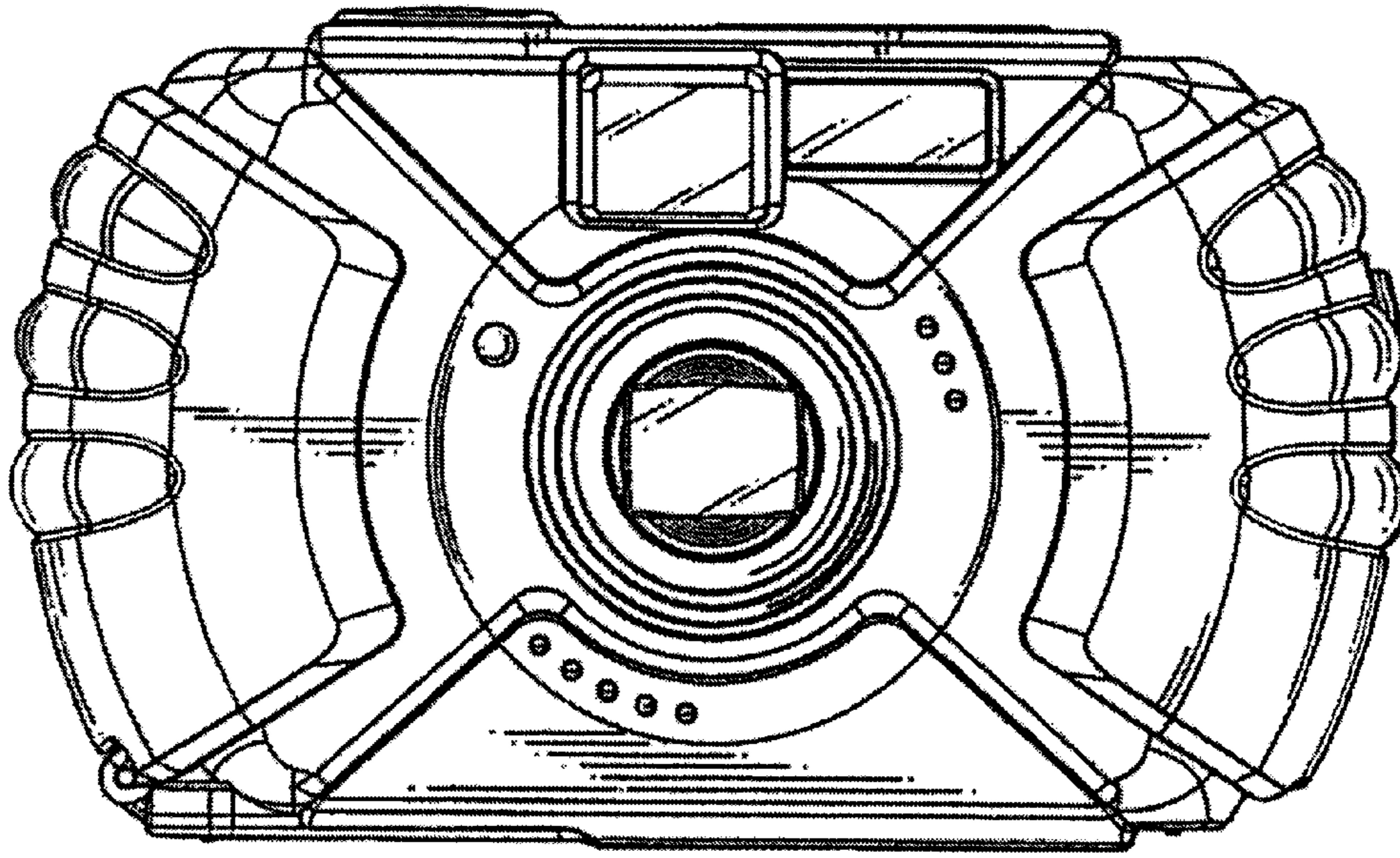


FIG. 4

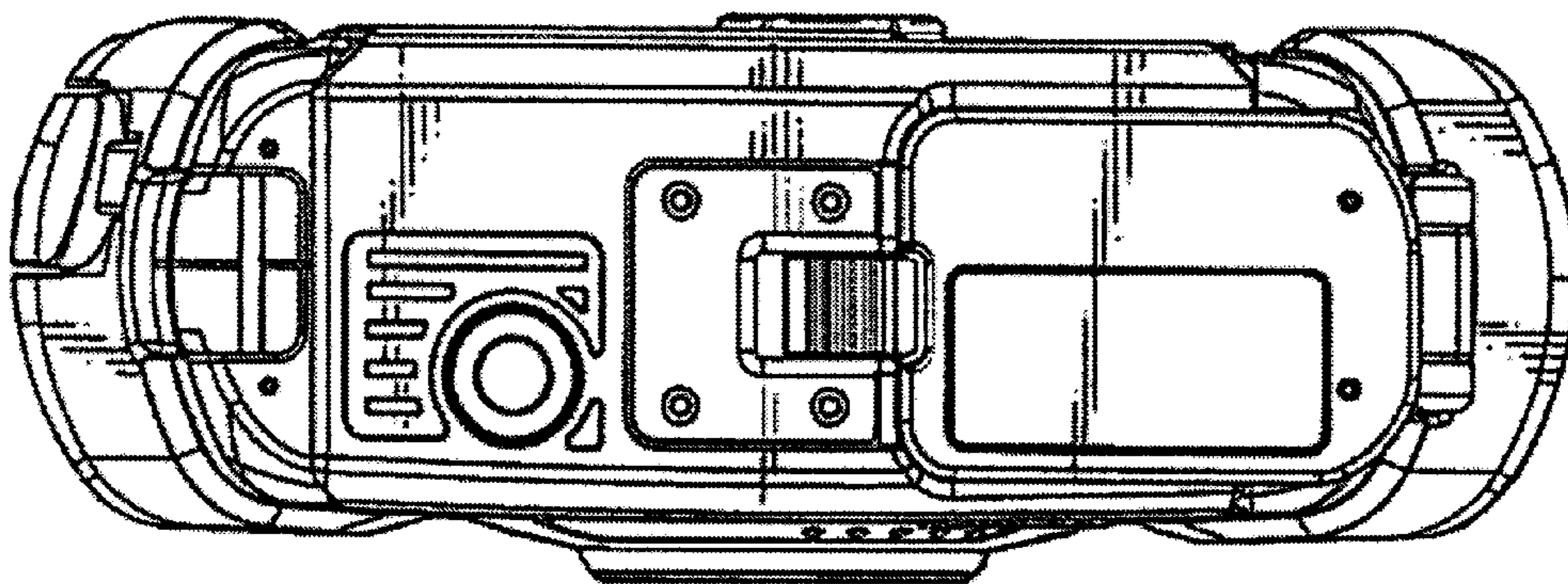


FIG. 5

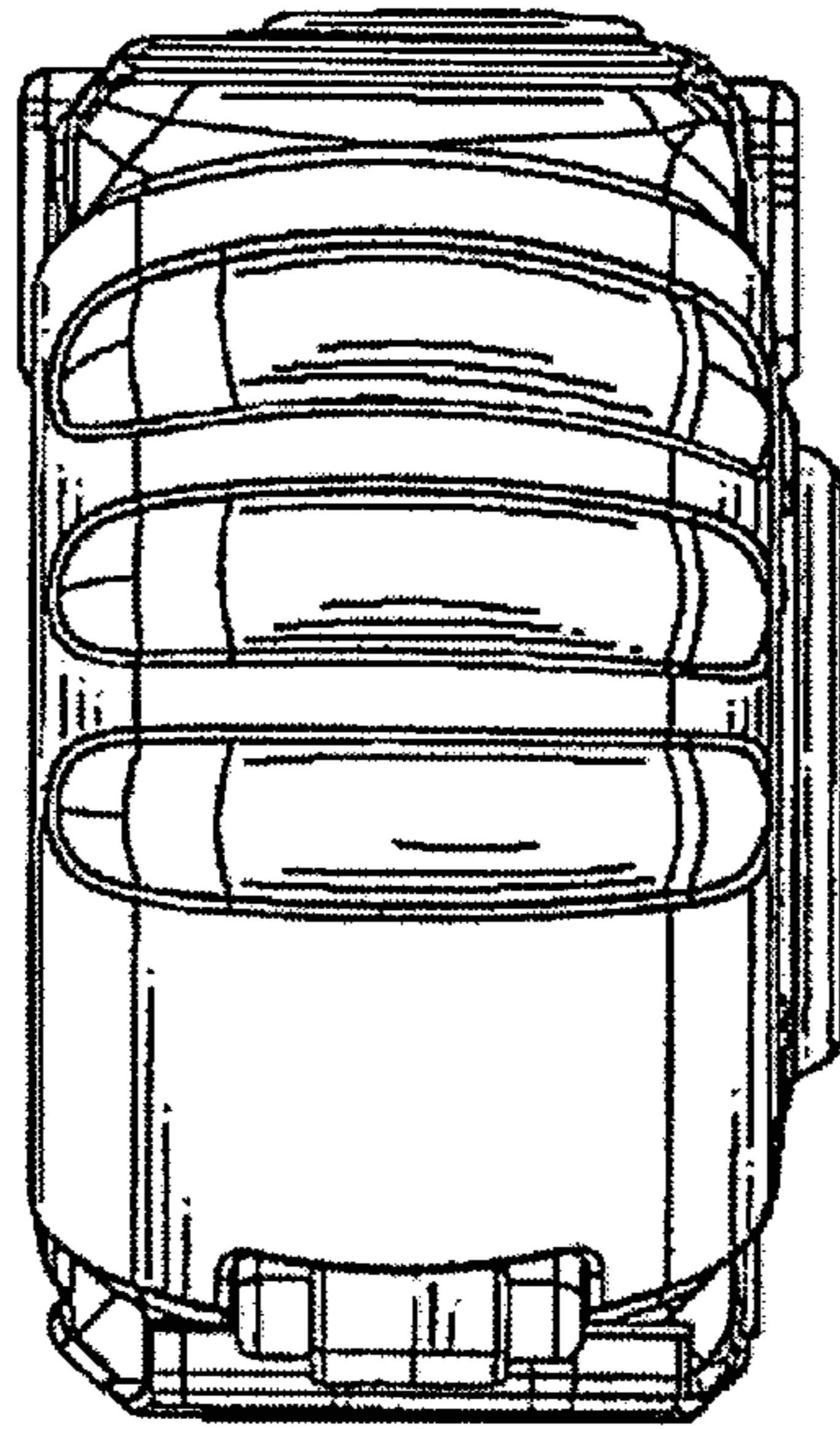


FIG. 6

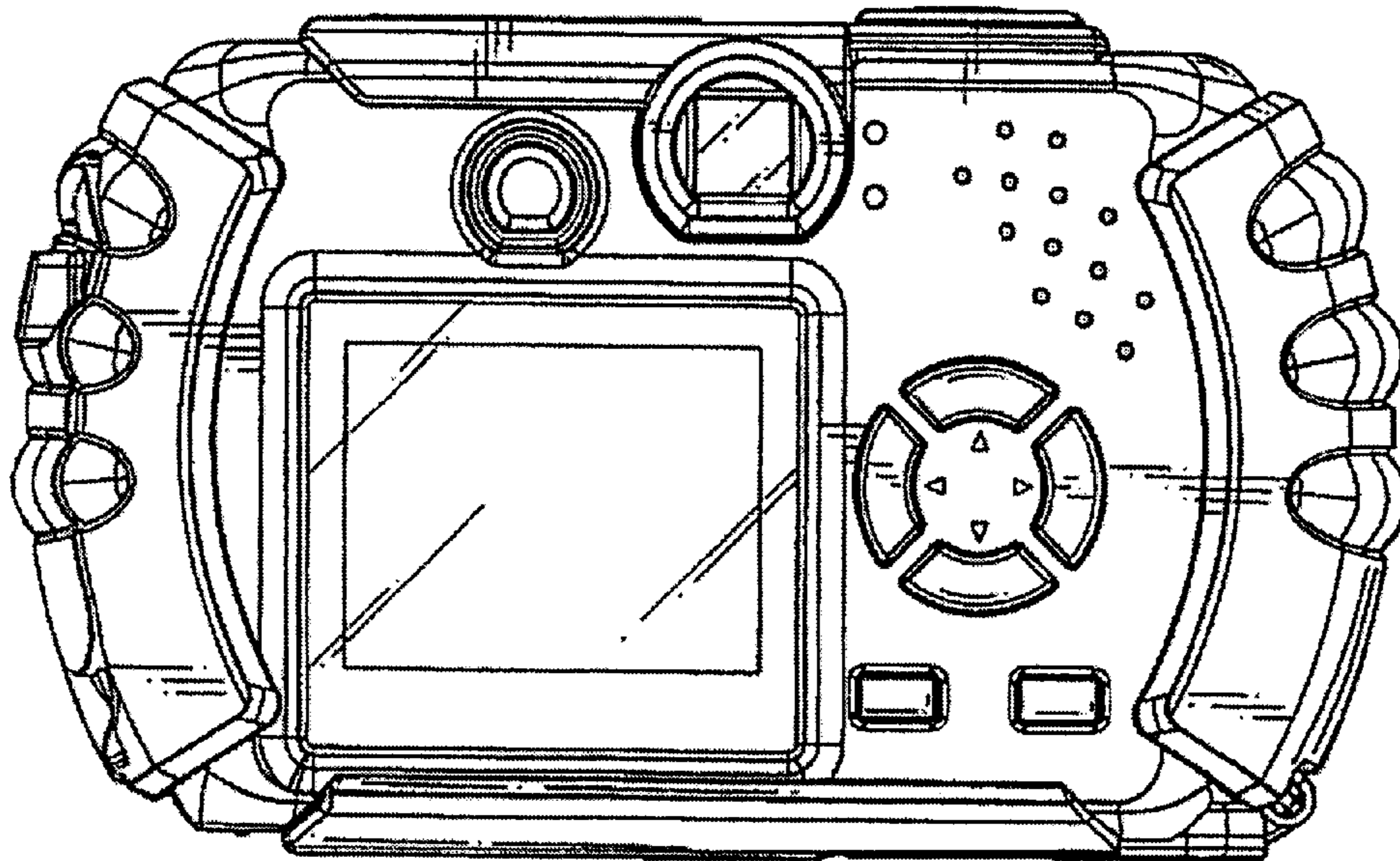


FIG. 7