

US00D524836S

(12) **United States Design Patent**
Morita

(10) **Patent No.:** **US D524,836 S**

(45) **Date of Patent:** **** Jul. 11, 2006**

(54) **DIGITAL CAMERA**

D500,775 S * 1/2005 Iue D16/202

(75) Inventor: **Tadayoshi Morita**, Nara (JP)

(73) Assignee: **Konica Minolta Photo Imaging, Inc.**,
Tokyo (JP)

(**) Term: **14 Years**

(21) Appl. No.: **29/217,838**

(22) Filed: **Nov. 24, 2004**

(30) **Foreign Application Priority Data**

Oct. 1, 2004 (JP) 2004-029855

(51) **LOC (8) Cl.** **16-01**

(52) **U.S. Cl.** **D16/202; D16/212**

(58) **Field of Classification Search** D16/200–204,
D16/208, 211, 212, 218; 348/373–376; 358/909.1;
396/348, 448, 535–541

See application file for complete search history.

(56) **References Cited**

U.S. PATENT DOCUMENTS

5,708,891	A	*	1/1998	Ando et al.	396/448
D415,511	S	*	10/1999	Funakoshi et al.	D16/209
D444,162	S	*	6/2001	Senda	D16/202
6,305,852	B1	*	10/2001	Suzuki et al.	396/349
6,347,893	B1	*	2/2002	Shiono et al.	396/448
D470,519	S		2/2003	Ogura		
D487,282	S		3/2004	Zhou		
D500,333	S	*	12/2004	Hong et al.	D16/218

OTHER PUBLICATIONS

Minolta's catalogue, "DiIMAGE Xt", published Feb. 25, 2003, 2 pages.

Sony's catalogue, "Cyber-shot", published Dec. 2003, 5 pages.

Konica Minolta's catalogue, "DiIMAGE G600", published Apr. 1, 2004, 4 pages.

Konica Minolta's catalogue, "DiIMAGE X31", published Jun. 23, 2004, 2 pages.

* cited by examiner

Primary Examiner—Adir Aronovich

(74) *Attorney, Agent, or Firm*—Buchanan Ingersoll PC

(57) **CLAIM**

The ornamental design for a digital camera, as shown and described.

DESCRIPTION

FIG. 1 is a front perspective view of a digital camera;

FIG. 2 is a rear perspective view thereof;

FIG. 3 is a front view thereof;

FIG. 4 is a rear view thereof;

FIG. 5 is a left side view thereof;

FIG. 6 is a right side view thereof;

FIG. 7 is a top view thereof;

FIG. 8 is a bottom view thereof; and,

FIG. 9 is a front view showing a condition in use.

1 Claim, 5 Drawing Sheets

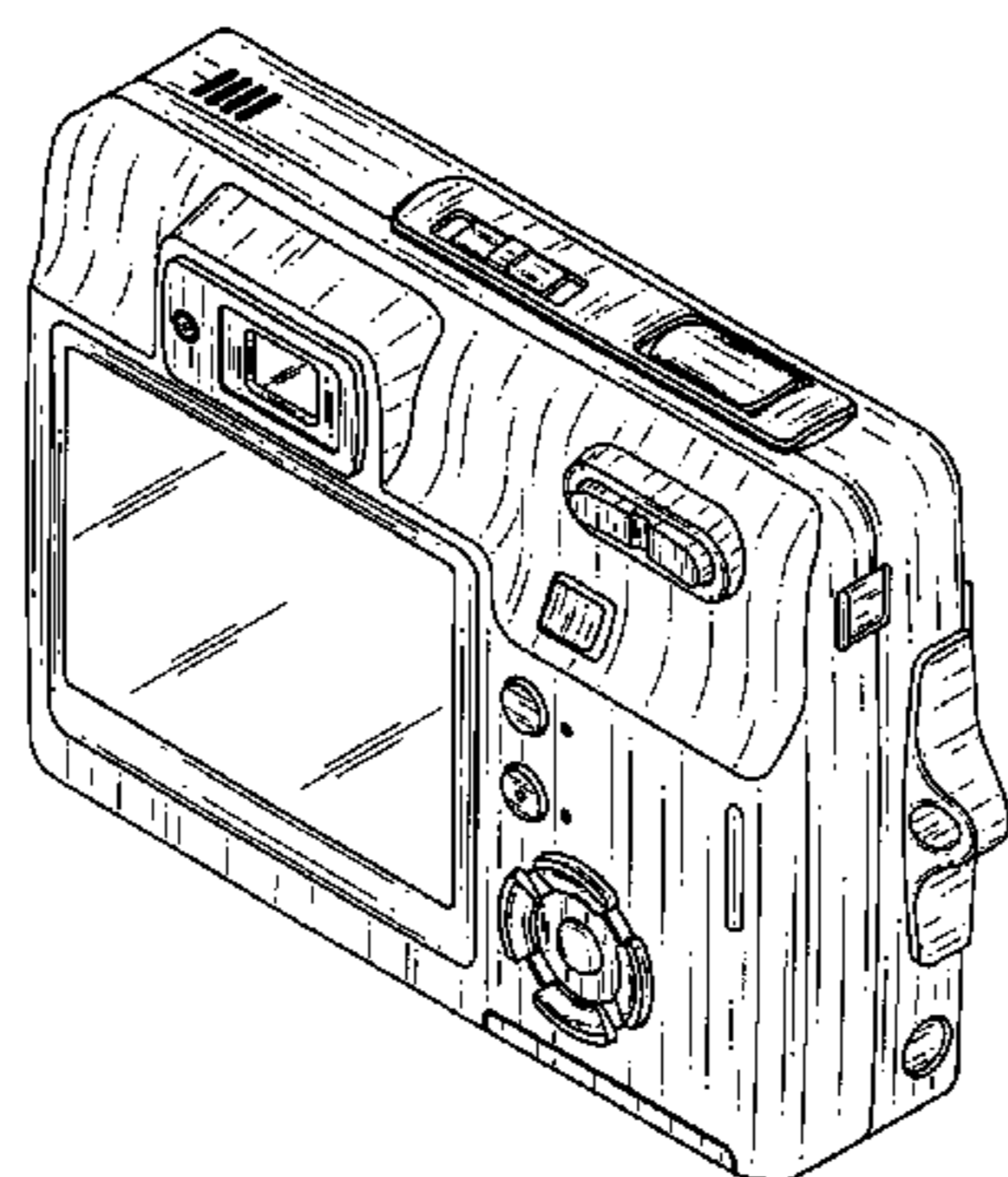
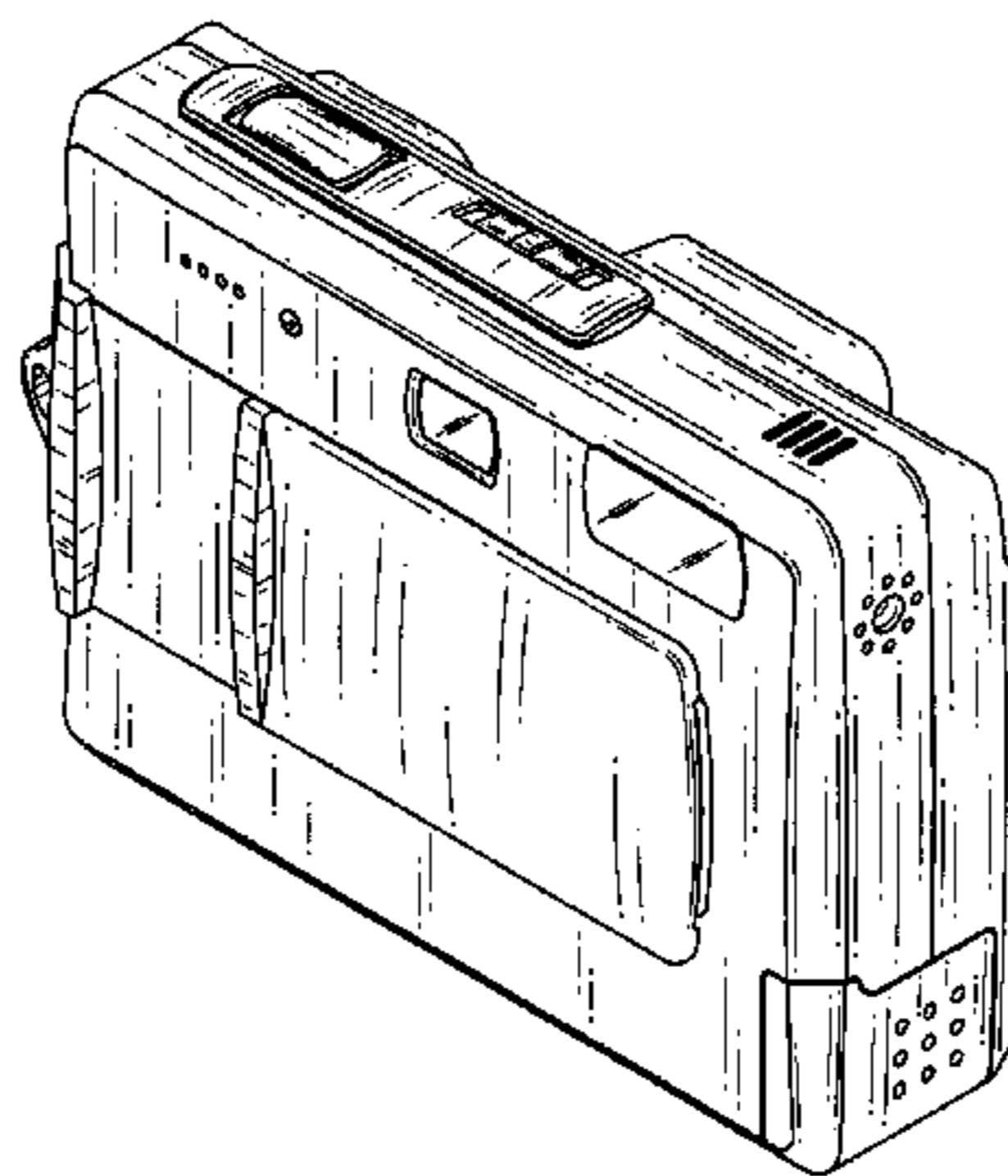


Fig. 1

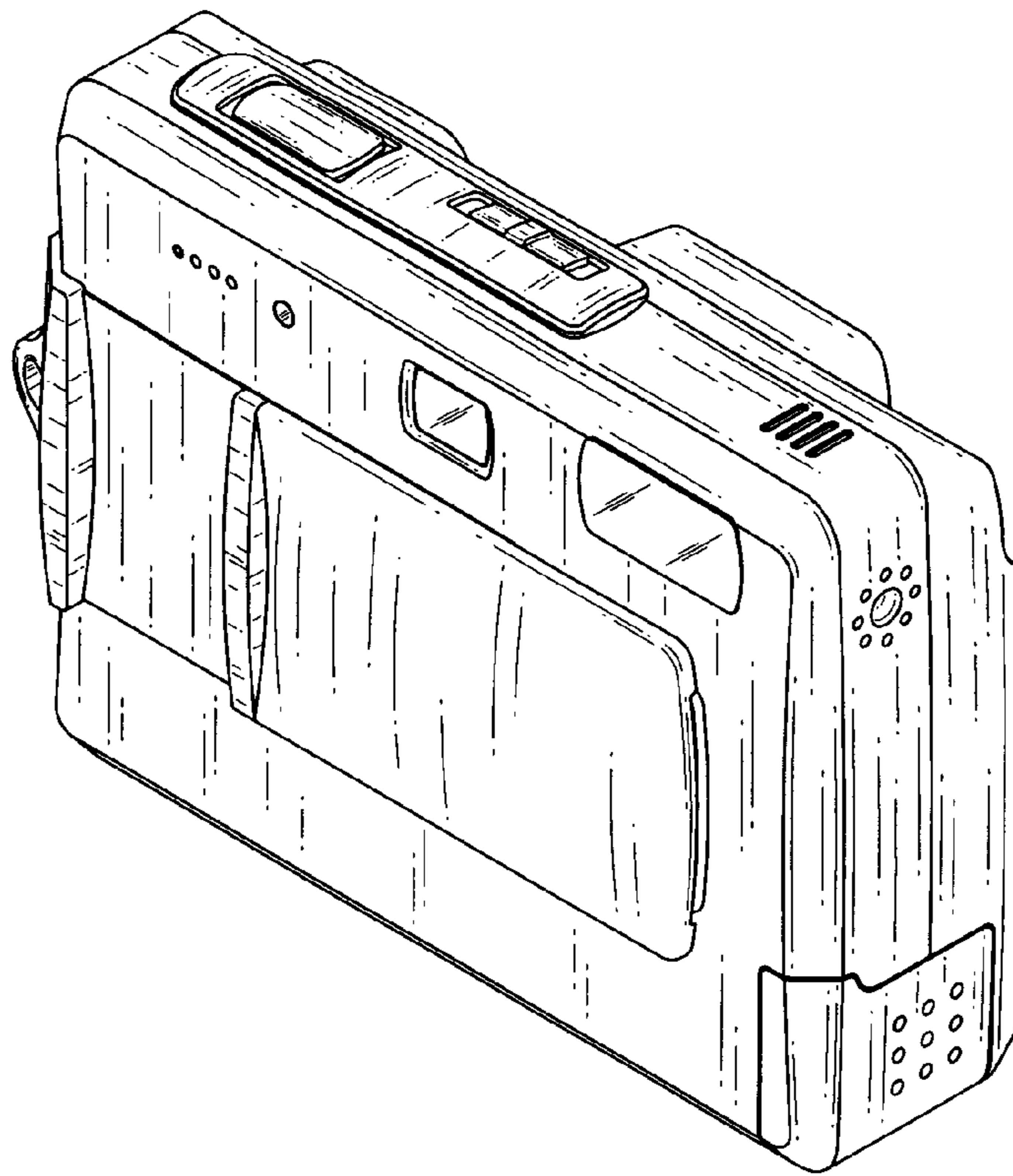


Fig. 2

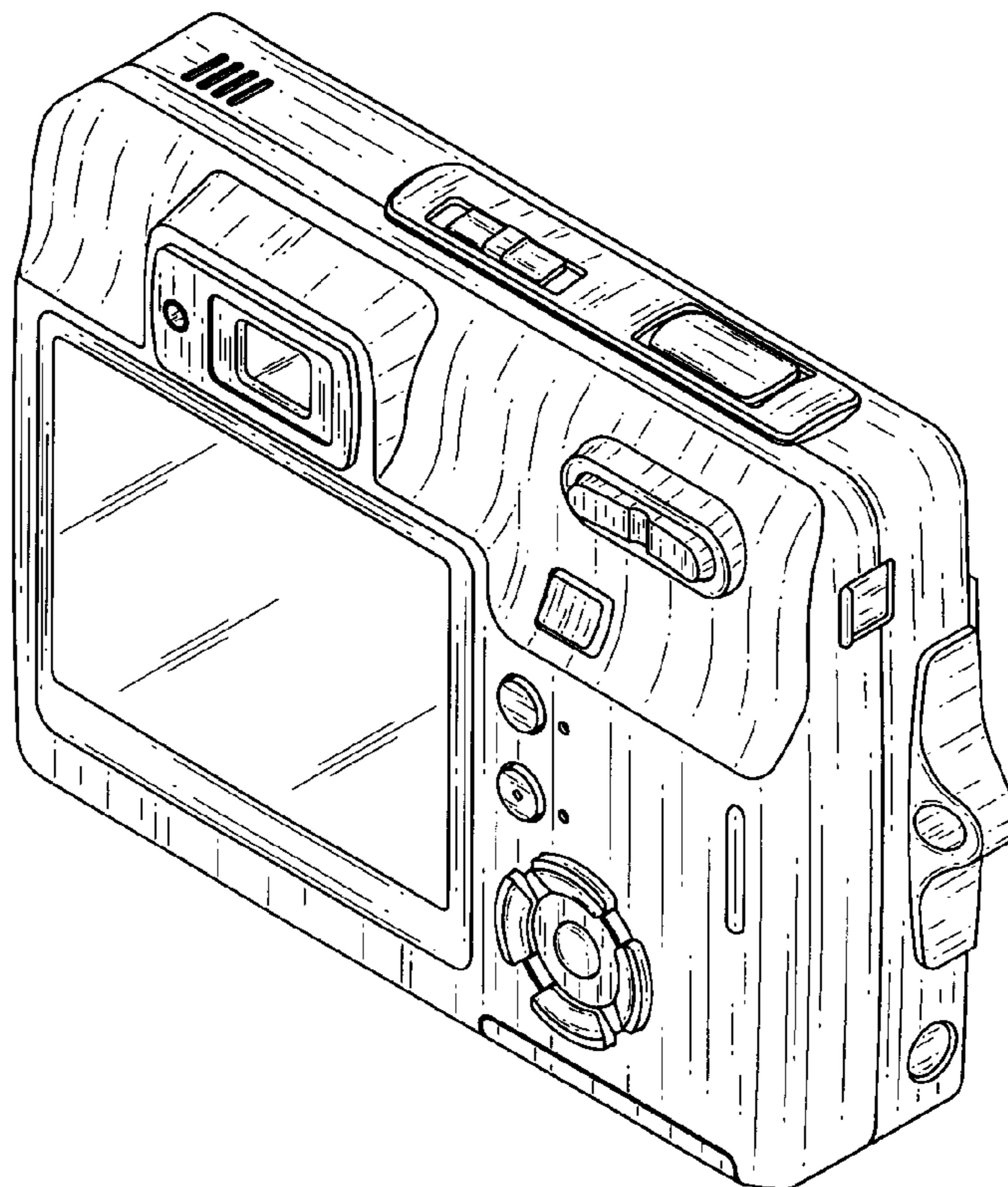


Fig. 3

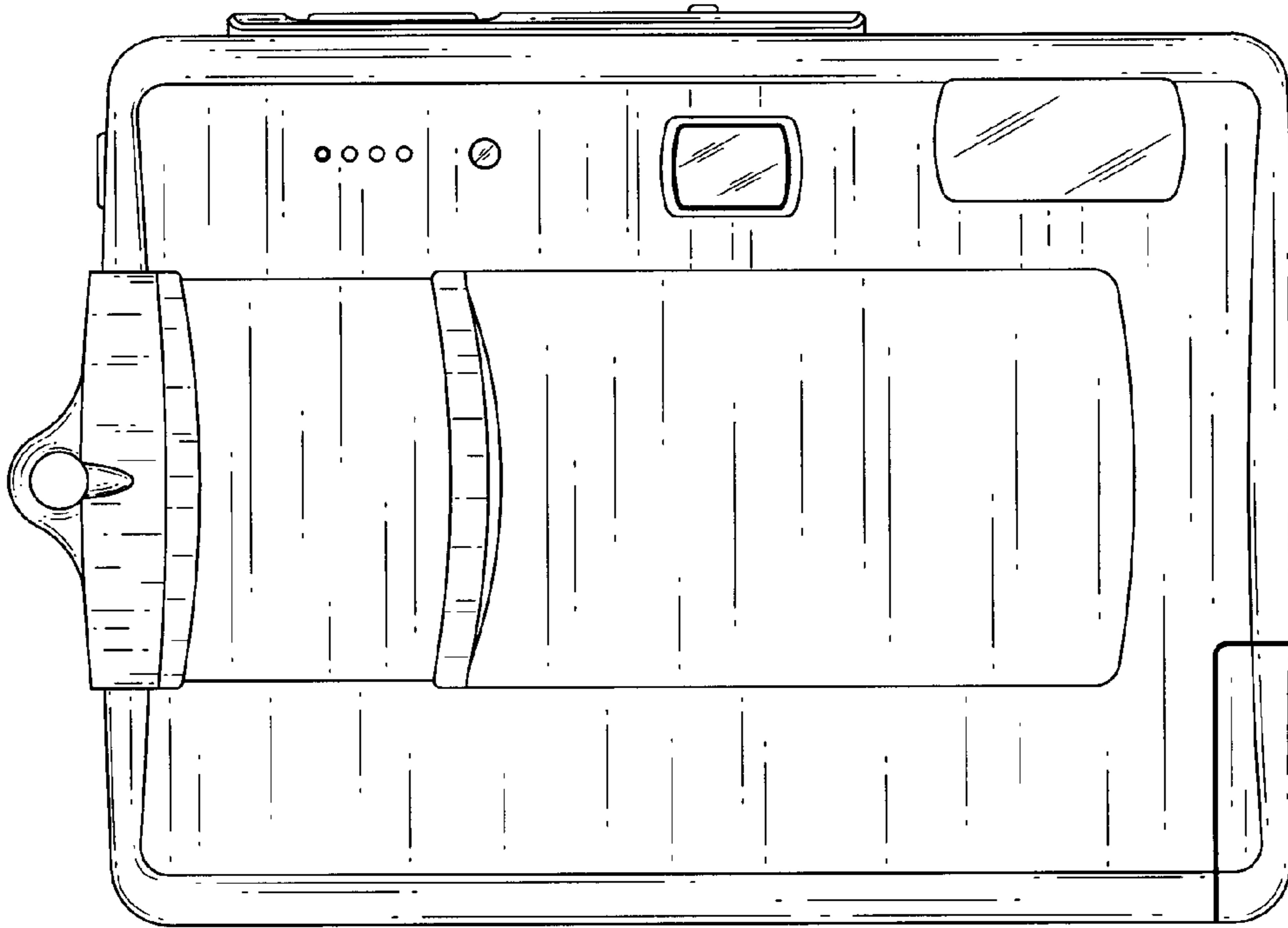


Fig. 4

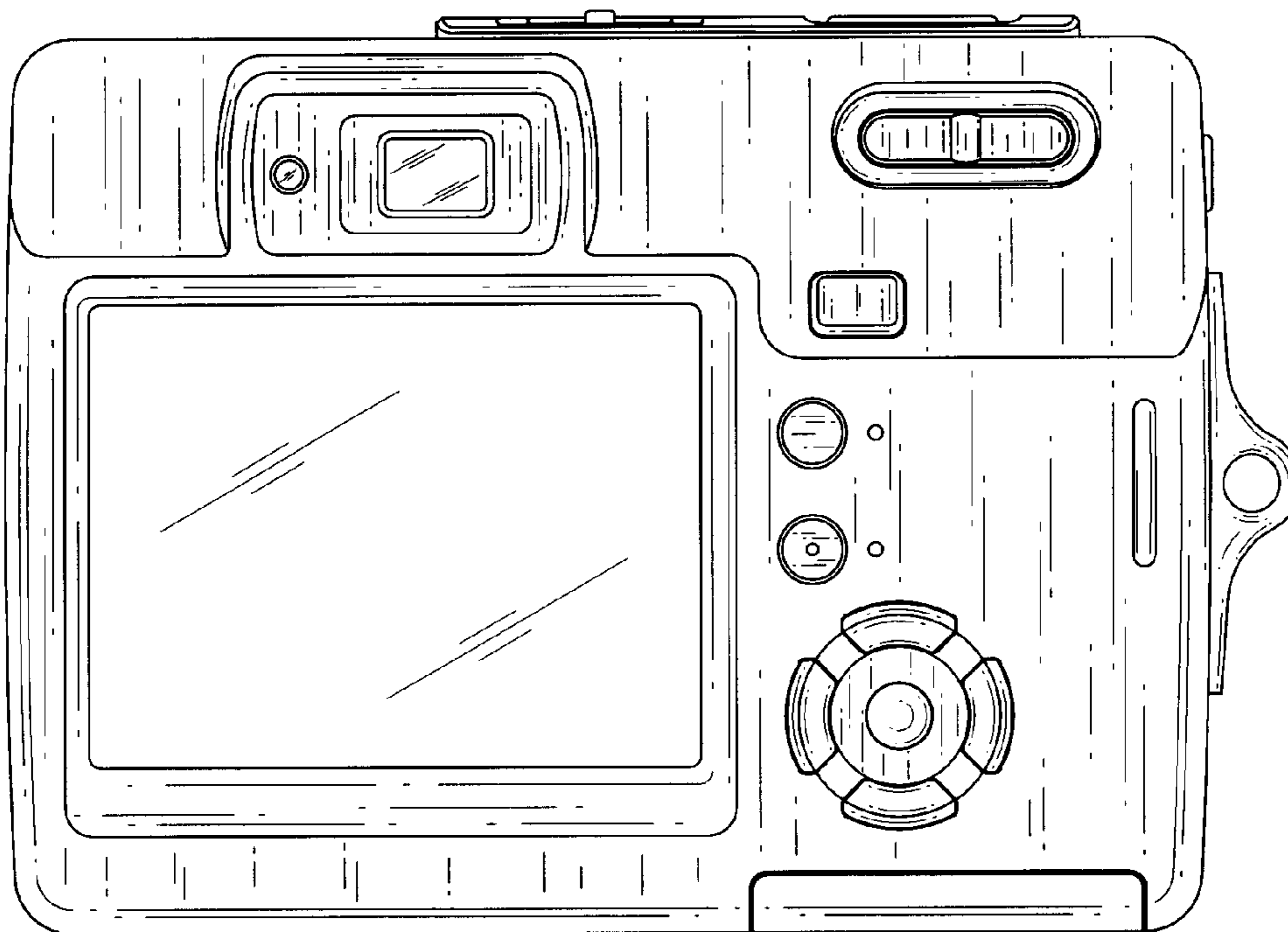


Fig. 5

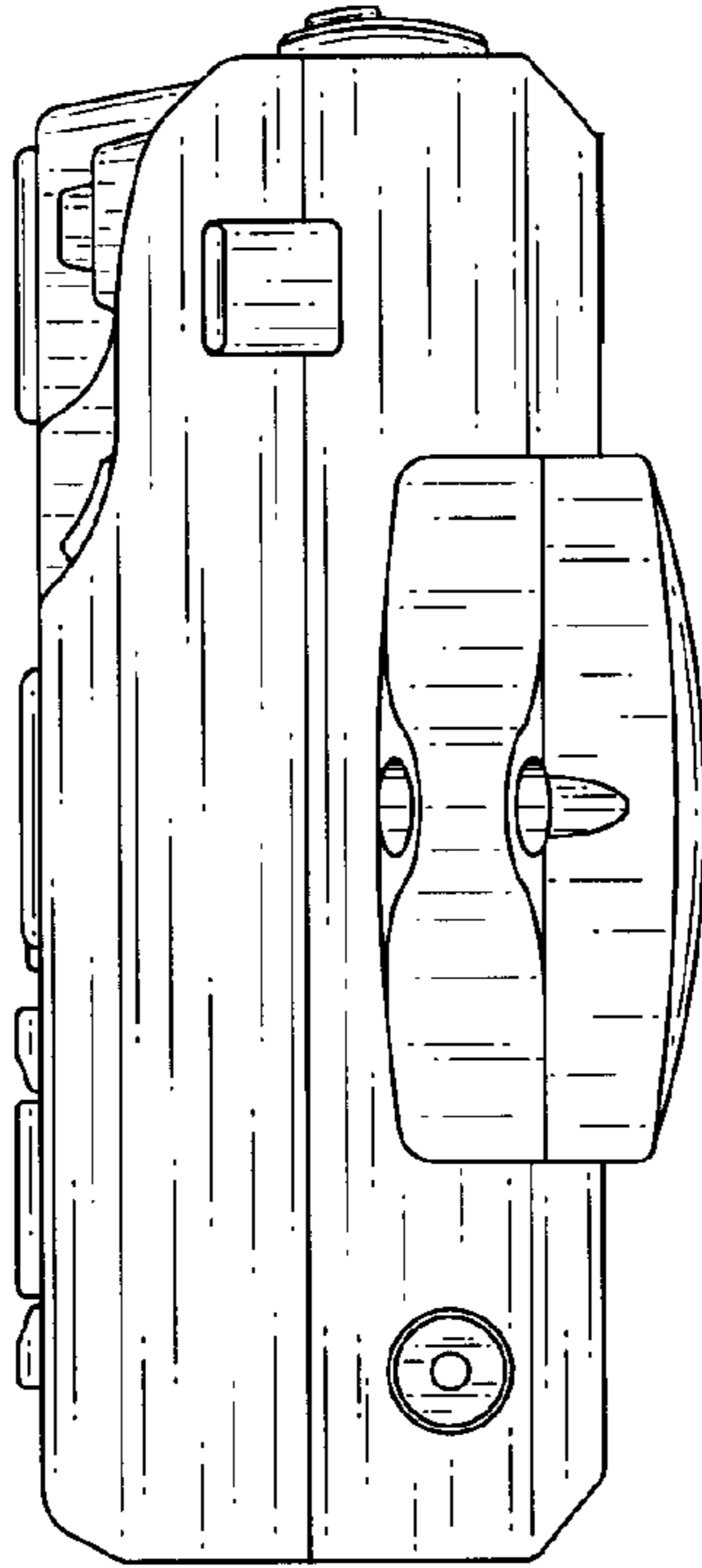


Fig. 6

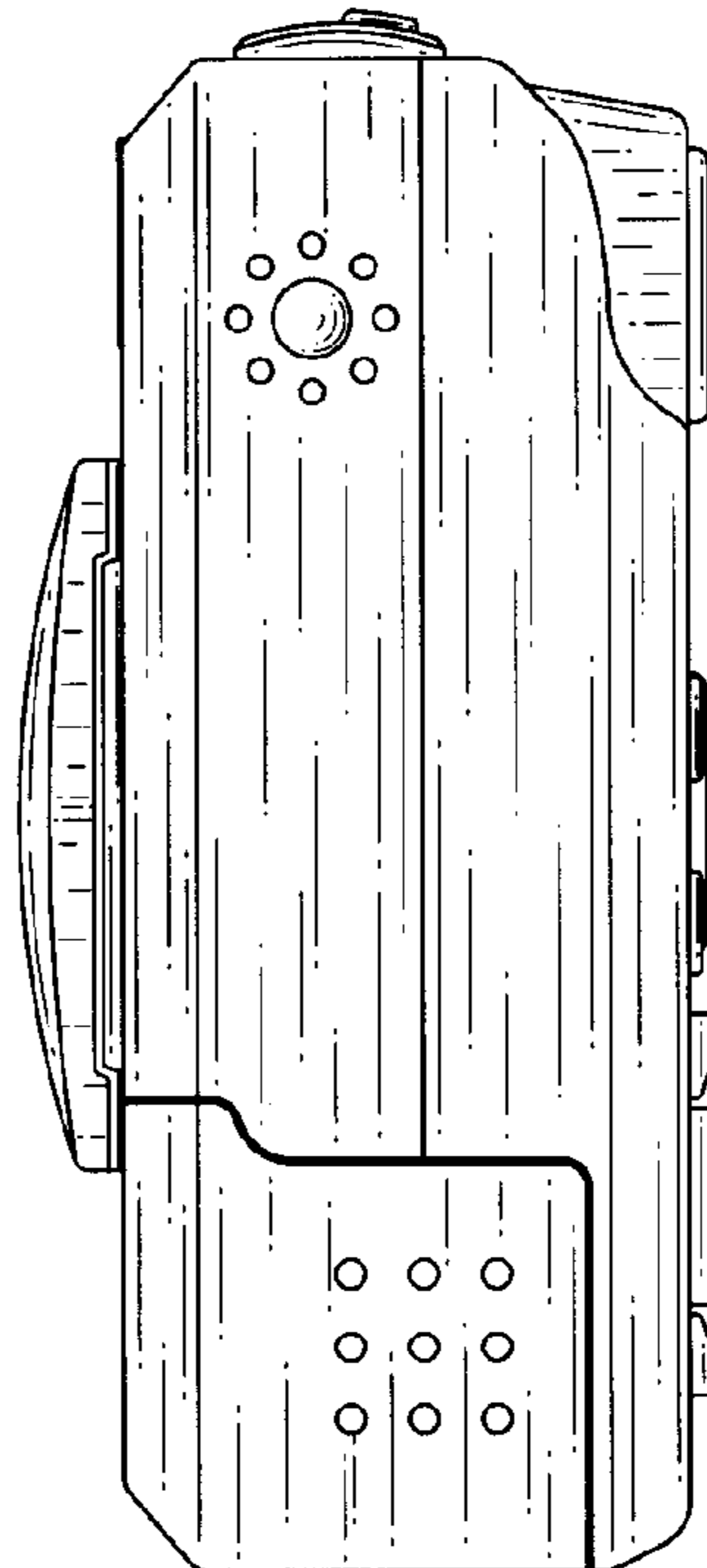


Fig. 7

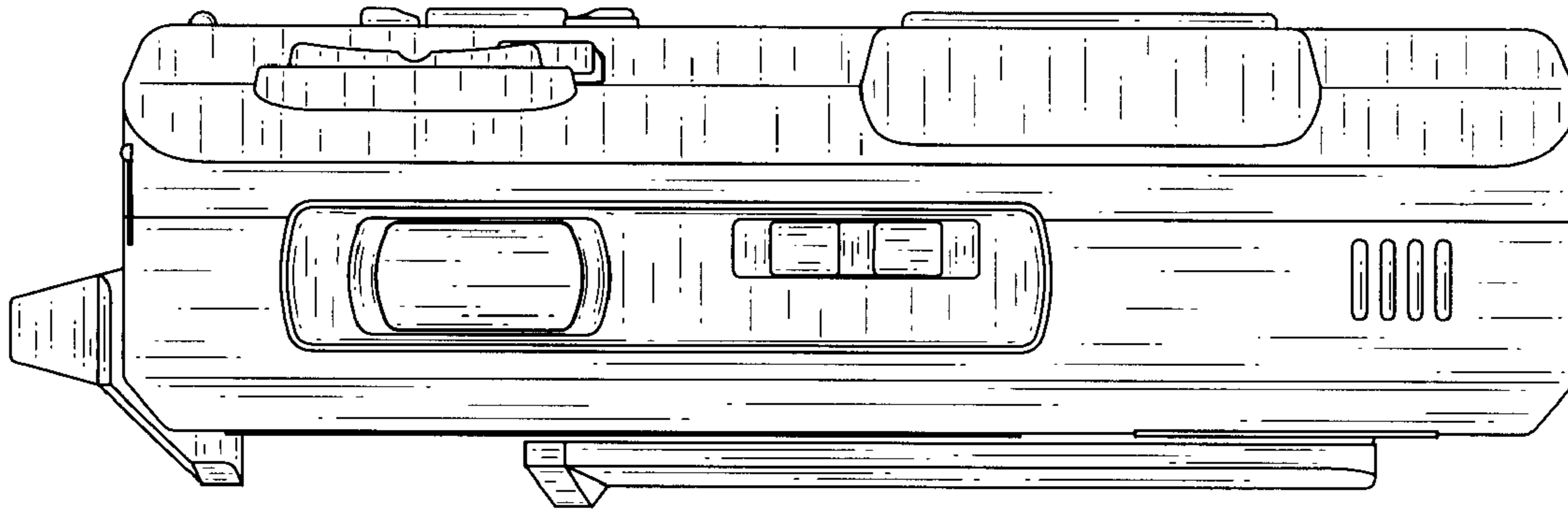


Fig. 8

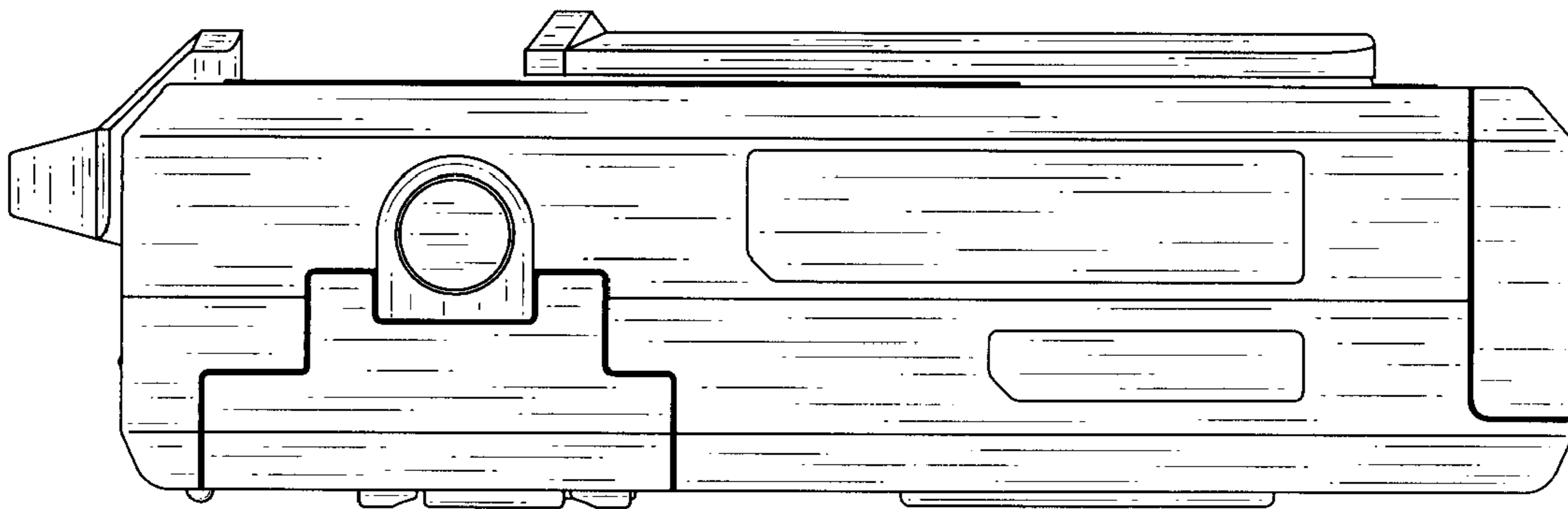


Fig. 9

