



US00D524834S

(12) **United States Design Patent**
Dozier et al.

(10) **Patent No.:** **US D524,834 S**

(45) **Date of Patent:** **** Jul. 11, 2006**

(54) **EXTERNAL SURFACE CONFIGURATION OF A CAMERA HOUSING**

(75) Inventors: **Charles Wayne Dozier**, Dallas, TX (US); **Thomas Mitchell**, McKinney, TX (US); **Richard Moffitt**, Garland, TX (US)

(73) Assignee: **Dozier Financial Corporation**, Dallas, TX (US)

(**) Term: **14 Years**

(21) Appl. No.: **29/217,097**

(22) Filed: **Nov. 12, 2004**

(51) **LOC (8) Cl.** **16-01**

(52) **U.S. Cl.** **D16/200; D20/19; D20/42**

(58) **Field of Classification Search** **D16/200, D16/201, 203, 204, 208; D20/10, 19, 42; 348/143, 151, 373; 396/427, 433, 535, 541**
See application file for complete search history.

(56) **References Cited**

U.S. PATENT DOCUMENTS

D119,041 S	*	2/1940	Macdonald et al.	D20/42
D327,506 S	*	6/1992	Bartholomai et al.	D20/10
D379,099 S	*	5/1997	Strandberg et al.	D20/10
6,497,519 B1	*	12/2002	Mills	396/433
D506,768 S	*	6/2005	Asai	D16/203
D508,064 S	*	8/2005	Ramirez	D16/200

* cited by examiner

Primary Examiner—Adir Aronovich

(74) *Attorney, Agent, or Firm*—Slater & Matsil, L.L.P.

(57) **CLAIM**

The ornamental design for an external surface configuration of a camera housing, as shown and described.

DESCRIPTION

FIG. 1 is a front-right perspective view of an external surface configuration of a camera housing showing our new design;

FIG. 2 is a back-left perspective view thereof;

FIG. 3 is a front view thereof;

FIG. 4 is a right side view thereof;

FIG. 5 is a left side view thereof;

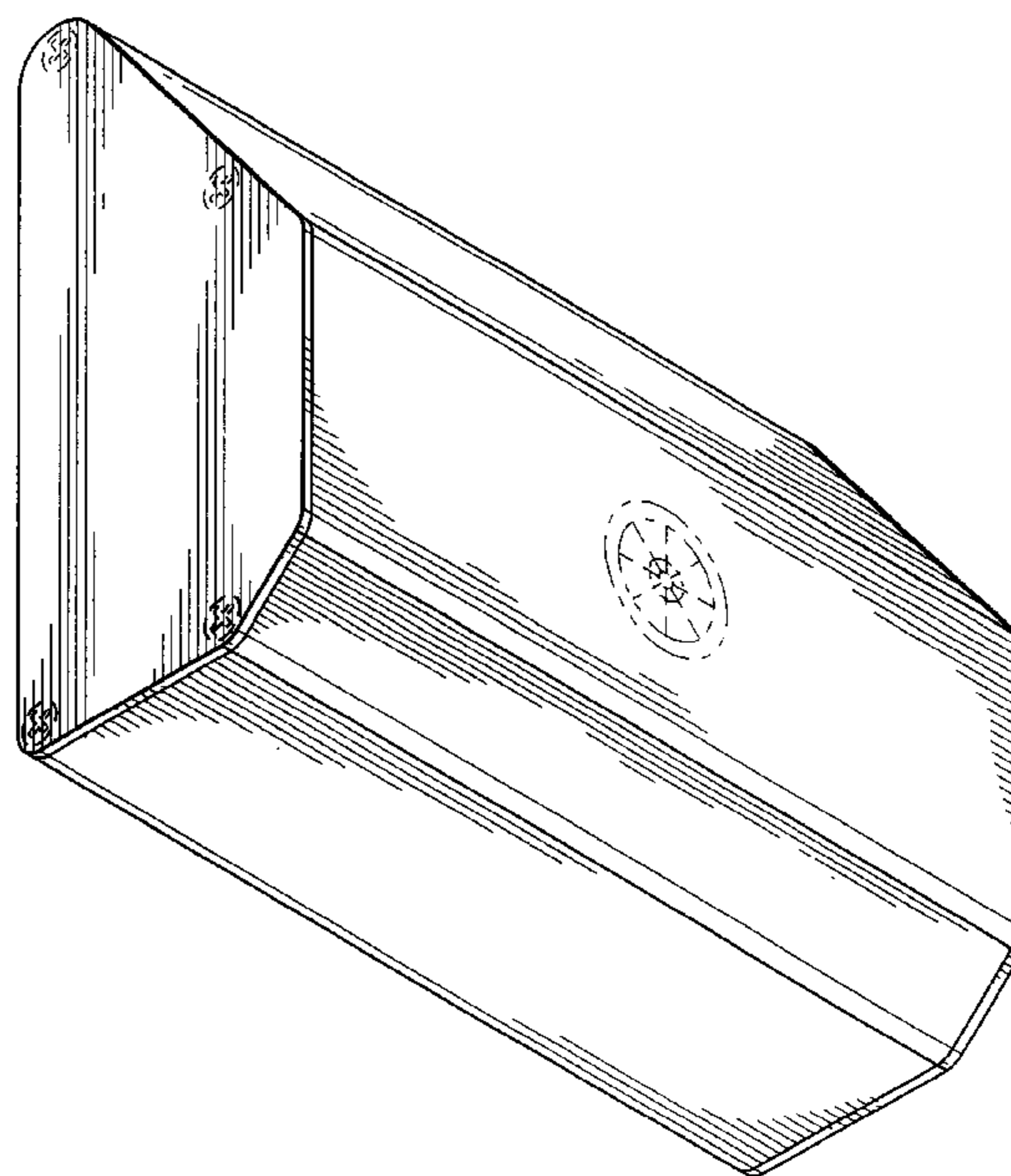
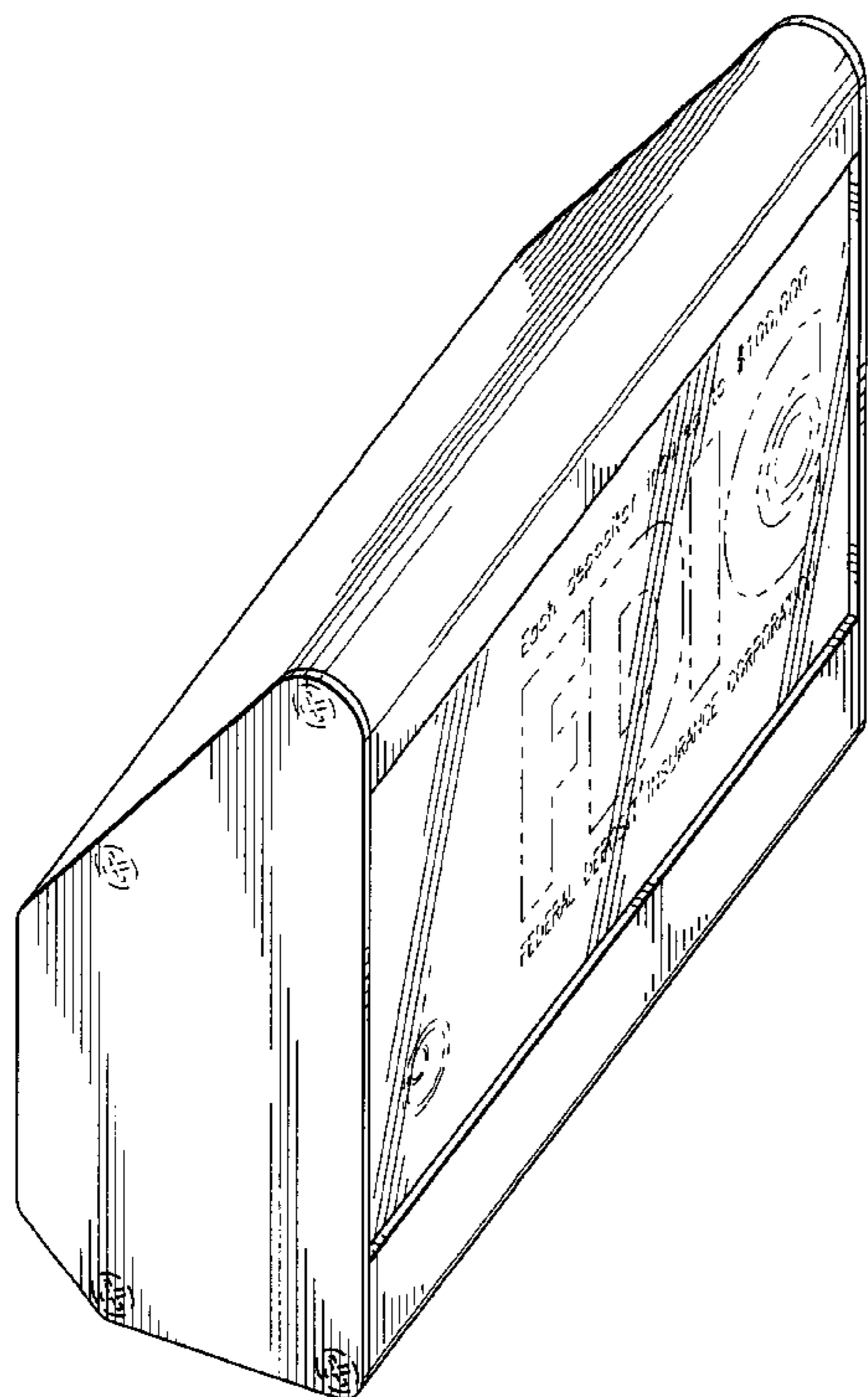
FIG. 6 is a back view thereof;

FIG. 7 is a top view thereof; and,

FIG. 8 is a bottom view thereof.

The camera lens shown in broken lines on the front side of the camera housing is for illustrative purposes only and forms no part of the claimed design. The screws heads shown in broken lines are for illustrative purposes only and form no part of the claimed design. The bushing shown in broken lines on the back side of the camera housing is for illustrative purposes only and forms no part of the claimed design. The signage shown in broken lines on the front side of the camera housing is for illustrative purposes only and forms no part of the claimed design.

1 Claim, 3 Drawing Sheets



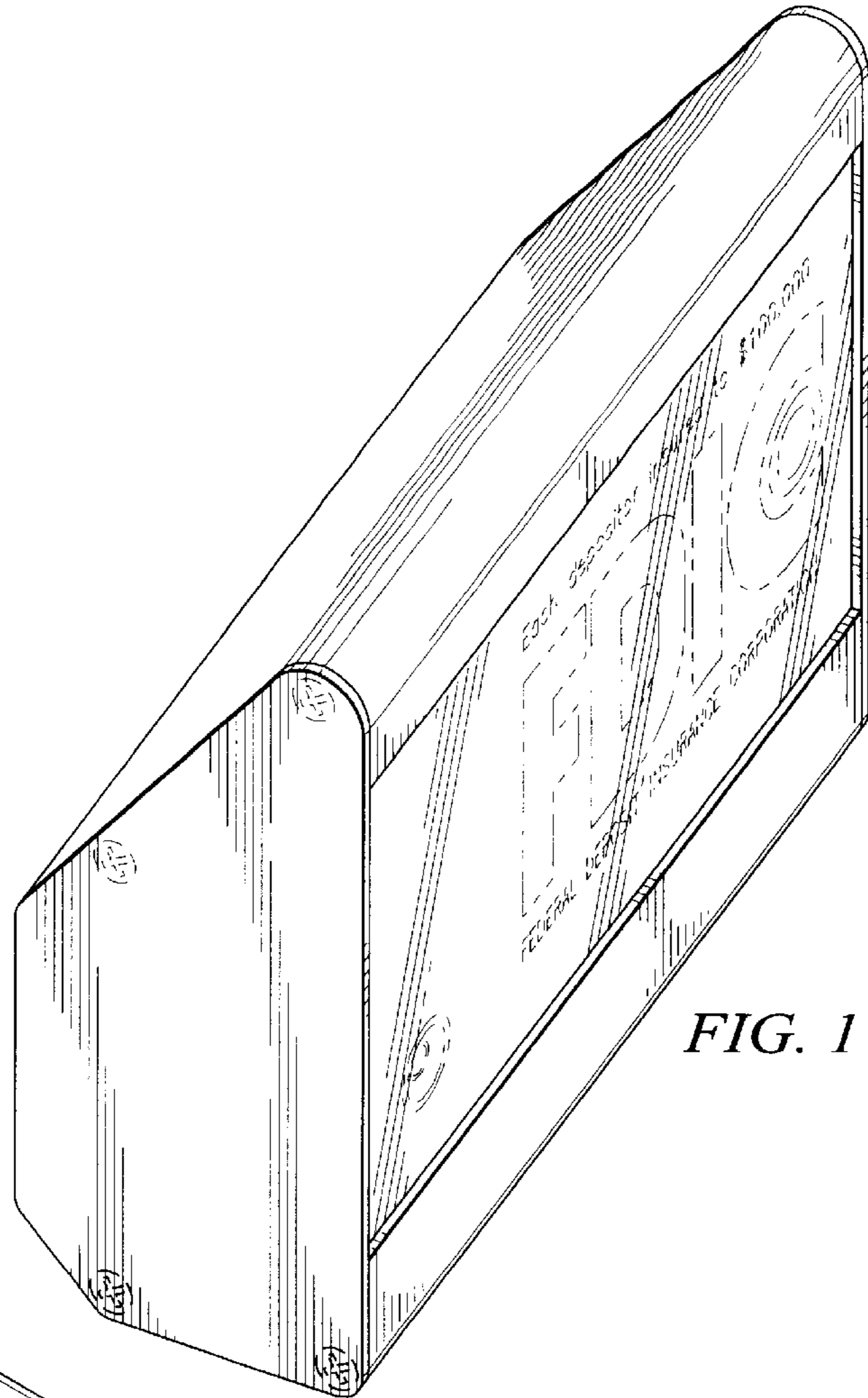


FIG. 1

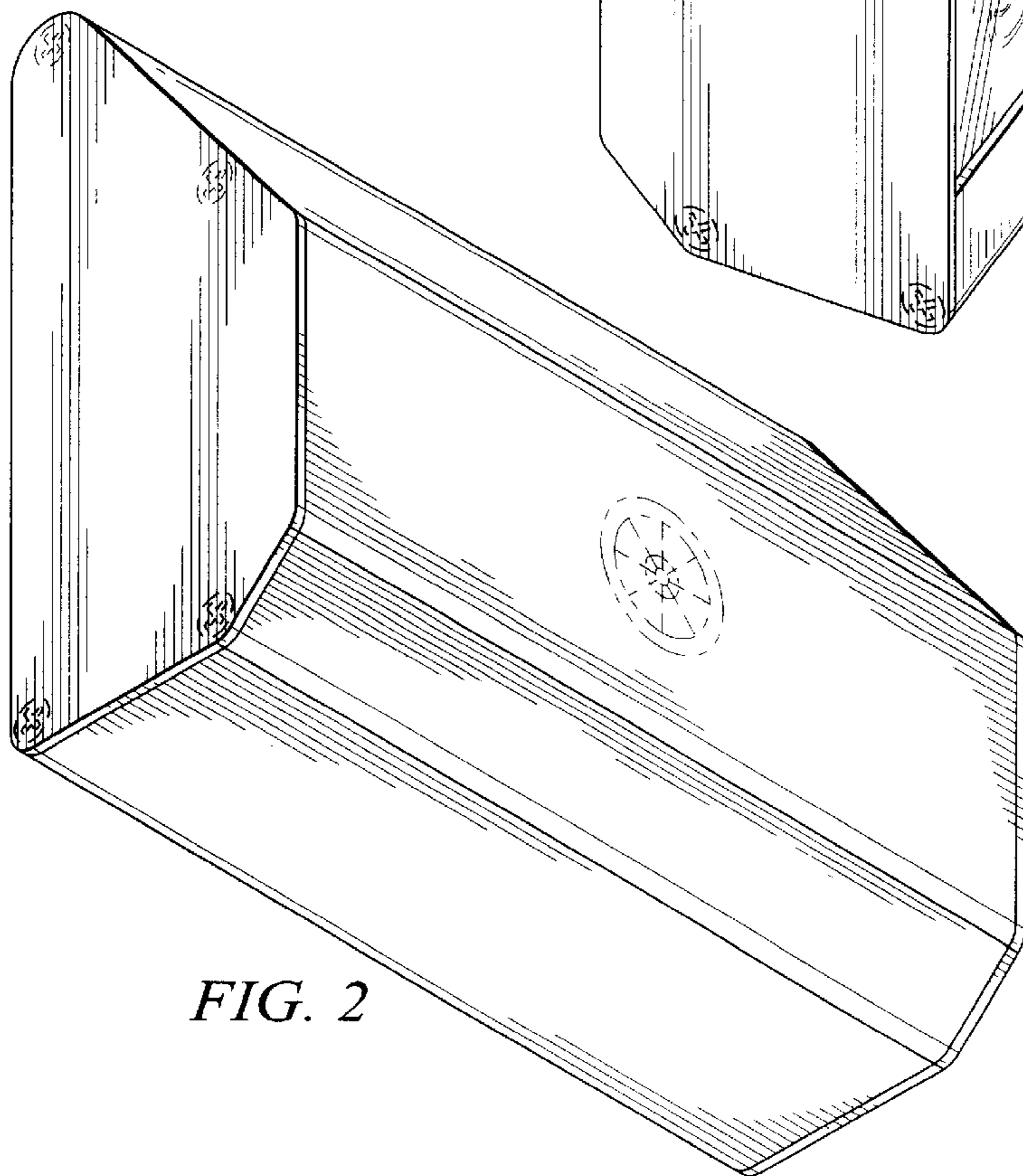


FIG. 2

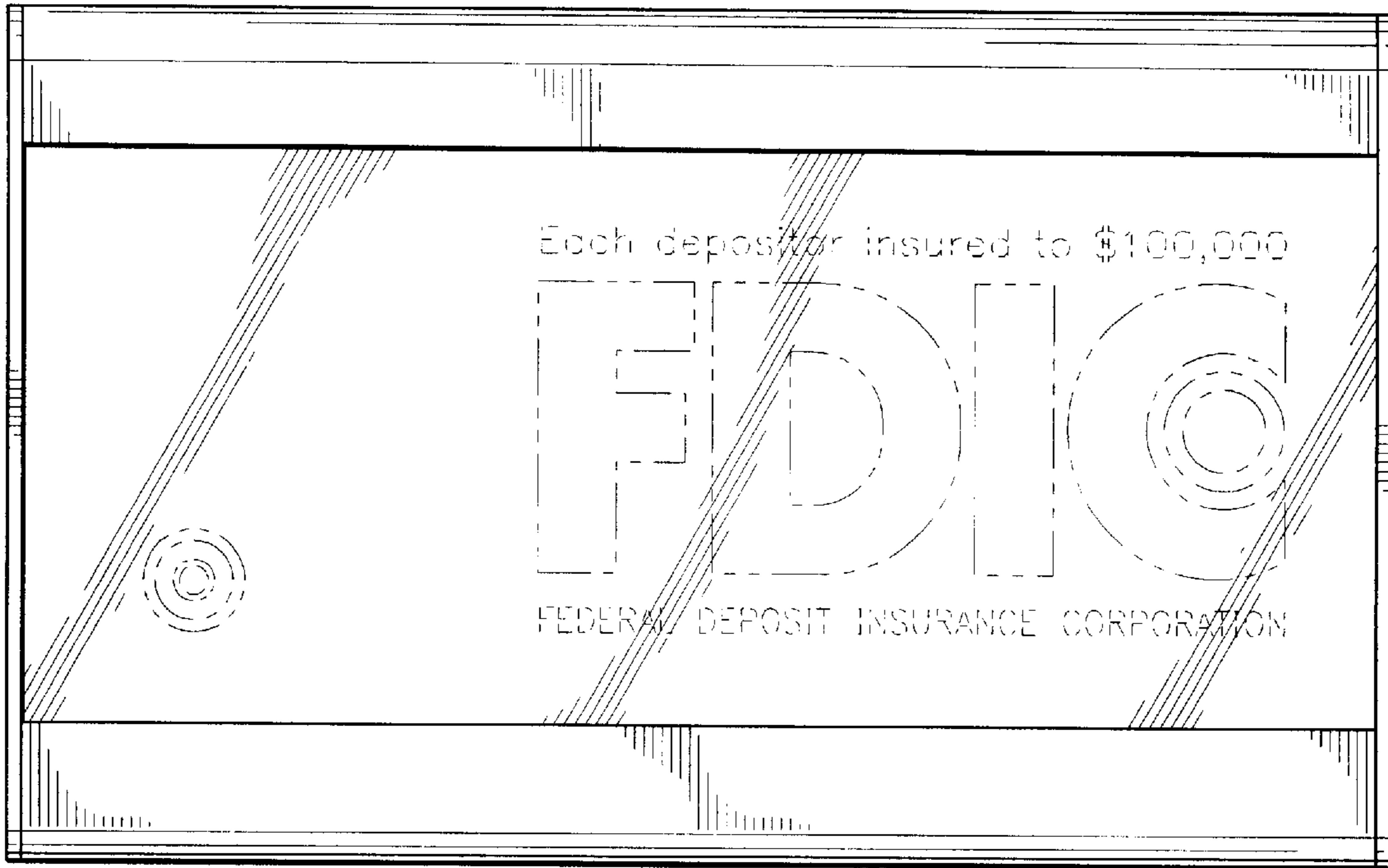


FIG. 3

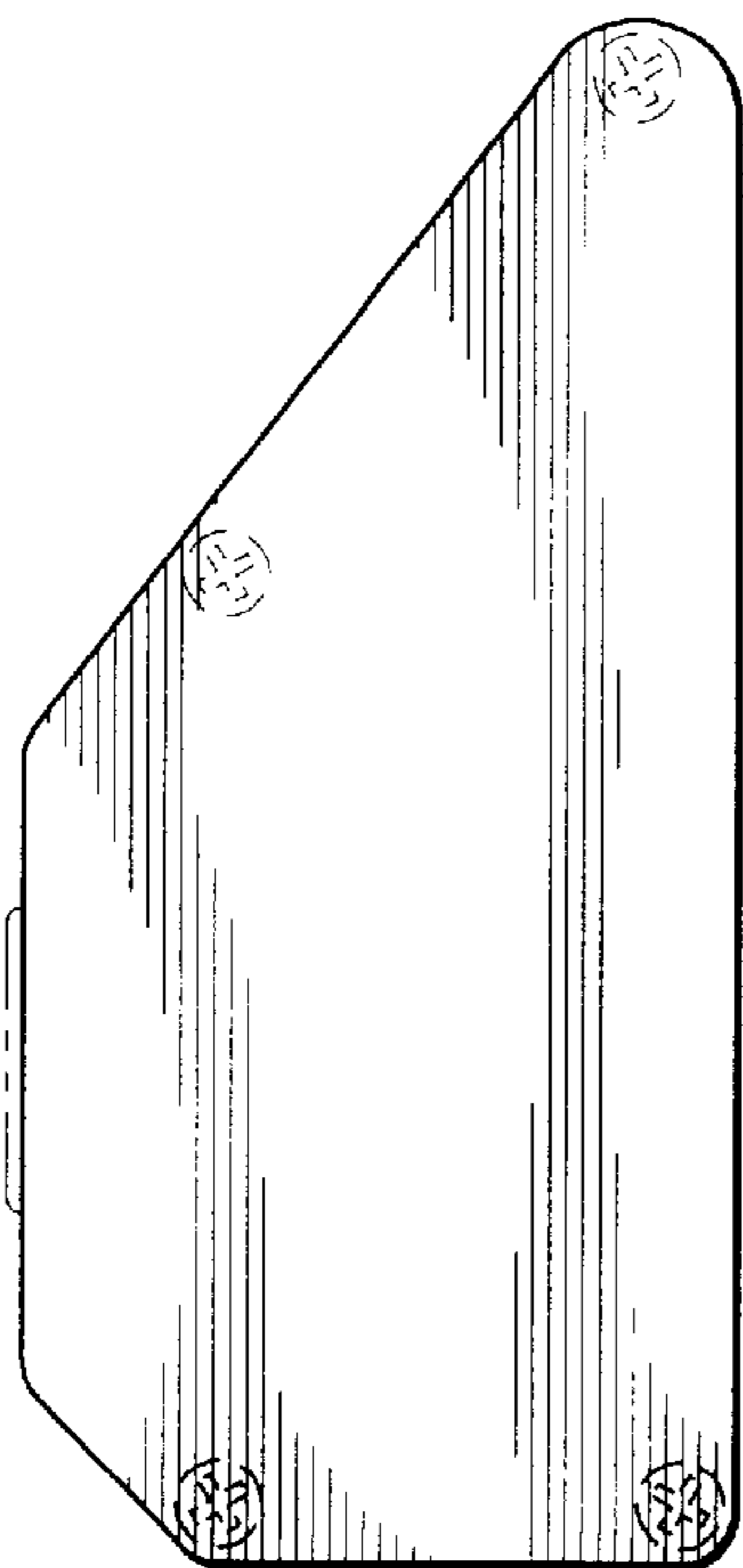


FIG. 4

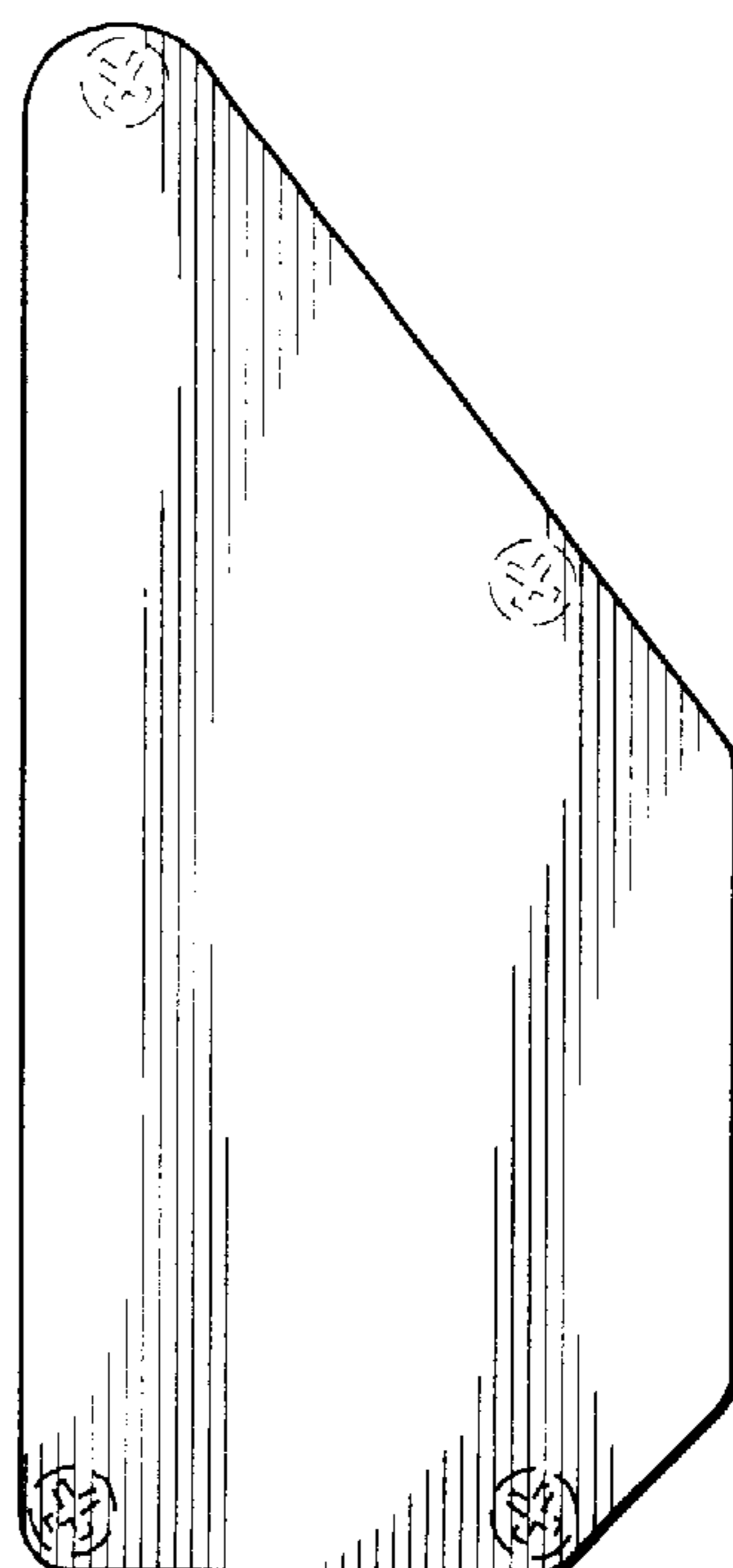


FIG. 5

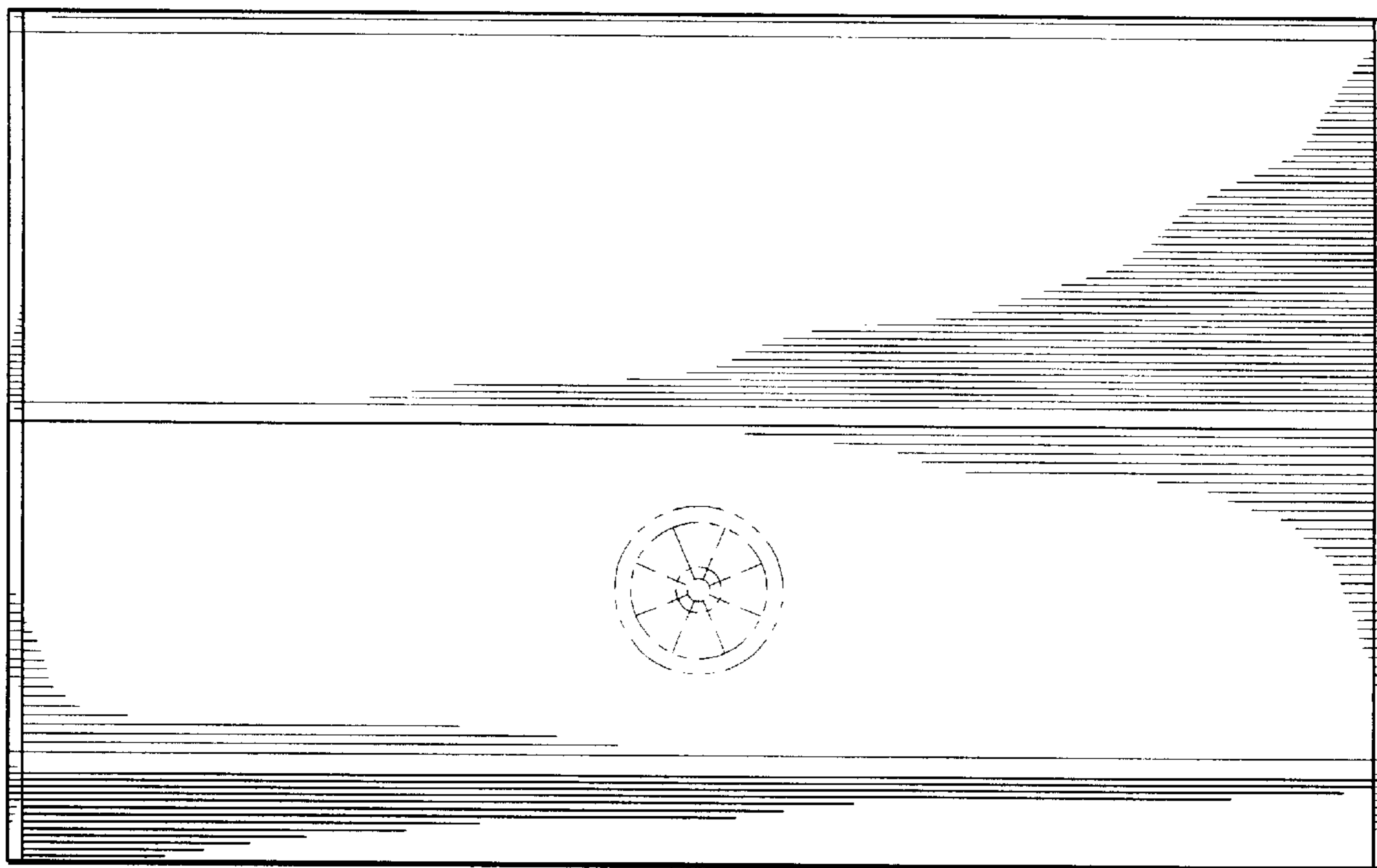


FIG. 6

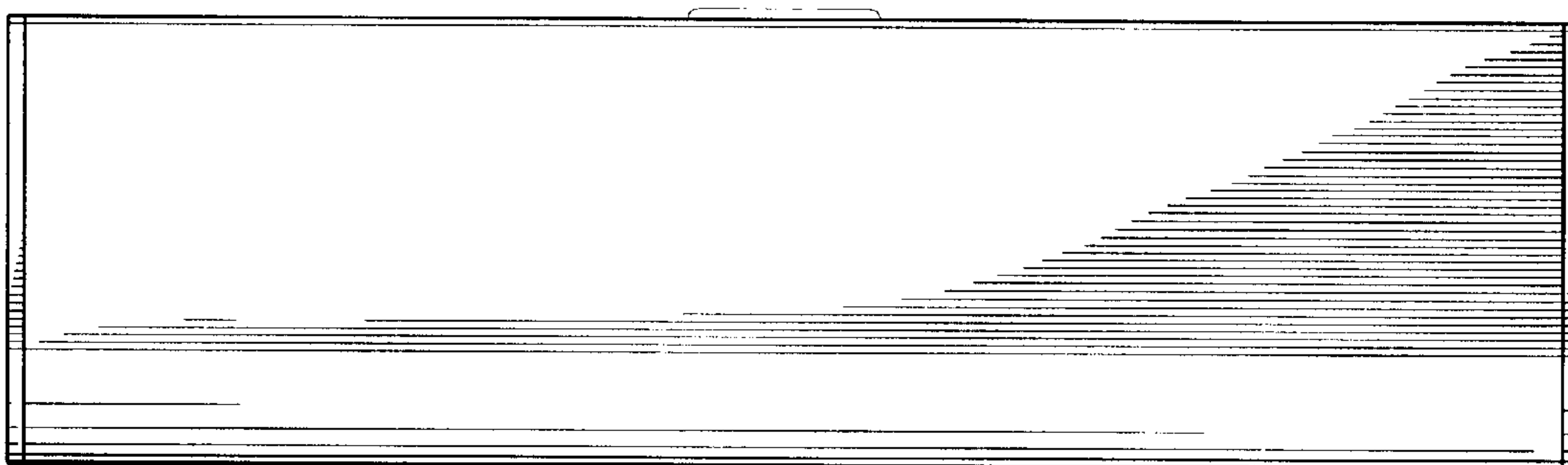


FIG. 7

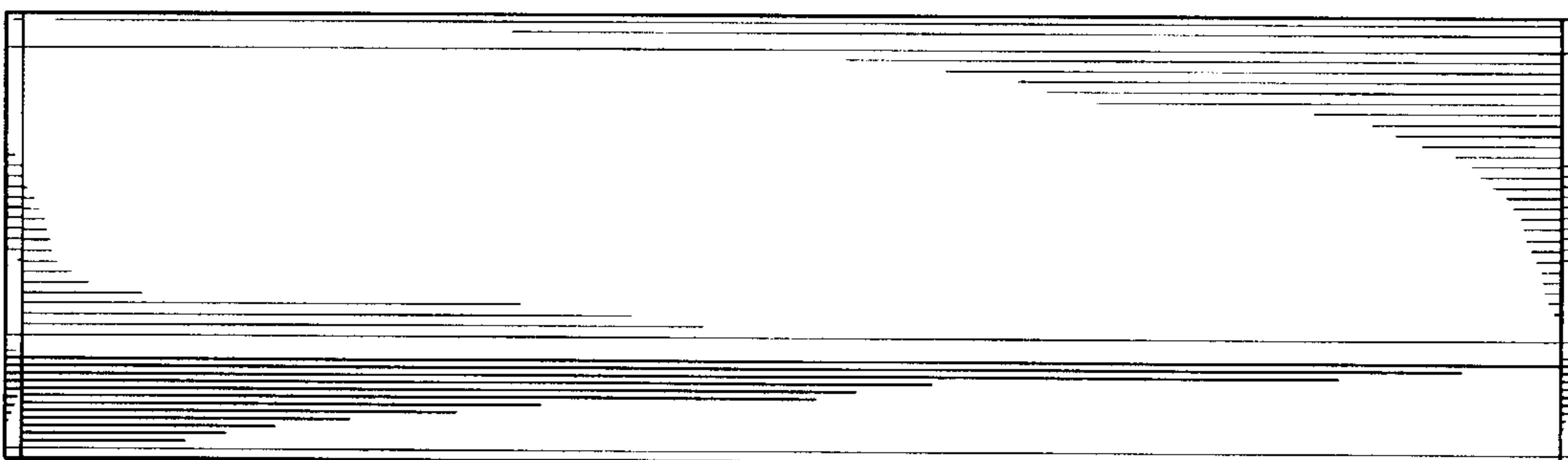


FIG. 8