

US00D524832S

(12) **United States Design Patent**  
**Kim et al.**

(10) **Patent No.: US D524,832 S**  
(45) **Date of Patent: \*\* Jul. 11, 2006**

(54) **REFRIGERATOR**

(75) Inventors: **Jeong Min Kim**, Seoul (KR); **Hea Me Lee**, Seoul (KR); **Eun Ha Choi**, Seoul (KR); **Young Min Park**, Seoul (KR)

(73) Assignee: **Samsung Electronics Co., Ltd.** (KR)

(\*\*) Term: **14 Years**

(21) Appl. No.: **29/242,340**

(22) Filed: **Nov. 9, 2005**

(30) **Foreign Application Priority Data**

Jul. 19, 2005 (KR) ..... 30-2005-0024182

(51) **LOC (8) Cl.** ..... **15-07**

(52) **U.S. Cl.** ..... **D15/85**

(58) **Field of Classification Search** ..... D15/79-82,  
D15/85-88; 62/3.1, 3.6, 3.63, 3.64, 389-400,  
62/440, 441, 467, 531; 312/236, 352, 400-406,  
312/405.1

See application file for complete search history.

(56) **References Cited**

**U.S. PATENT DOCUMENTS**

- D379,095 S \* 5/1997 Sparks ..... D15/85
- D467,597 S \* 12/2002 Min et al. .... D15/85
- D477,336 S \* 7/2003 Kwak et al. .... D15/85
- D477,340 S \* 7/2003 Kim et al. .... D15/85
- D496,055 S \* 9/2004 Kim ..... D15/85

- D496,373 S \* 9/2004 Jang ..... D15/85
- D508,249 S \* 8/2005 Seok et al. .... D15/86
- D513,015 S \* 12/2005 Doh et al. .... D15/85
- 2003/0080661 A1 \* 5/2003 Ahmed et al. .... 312/405.1
- 2003/0102787 A1 \* 6/2003 Whittaker et al. .... 312/405.1
- 2003/0132689 A1 \* 7/2003 Shin ..... 312/405
- 2004/0263037 A1 \* 12/2004 Ritchie et al. .... 312/405.1
- 2005/0093408 A1 \* 5/2005 Koloff et al. .... 312/404

\* cited by examiner

*Primary Examiner*—Mitchell Siegel

*Assistant Examiner*—Shanda C. Hill

(74) *Attorney, Agent, or Firm*—Irving Keschner

(57) **CLAIM**

The ornamental design for refrigerator, as shown and described.

**DESCRIPTION**

FIG. 1 is a perspective view of a refrigerator showing our new design;

FIG. 2 is a front elevational view thereof;

FIG. 3 is a rear elevational view thereof;

FIG. 4 is a left side elevational view thereof;

FIG. 5 is a right side elevational view thereof;

FIG. 6 is a top plan view thereof;

FIG. 7 is a bottom plan view thereof; and,

FIG. 8 is a perspective view of FIG. 1 shown in an open position.

**1 Claim, 7 Drawing Sheets**

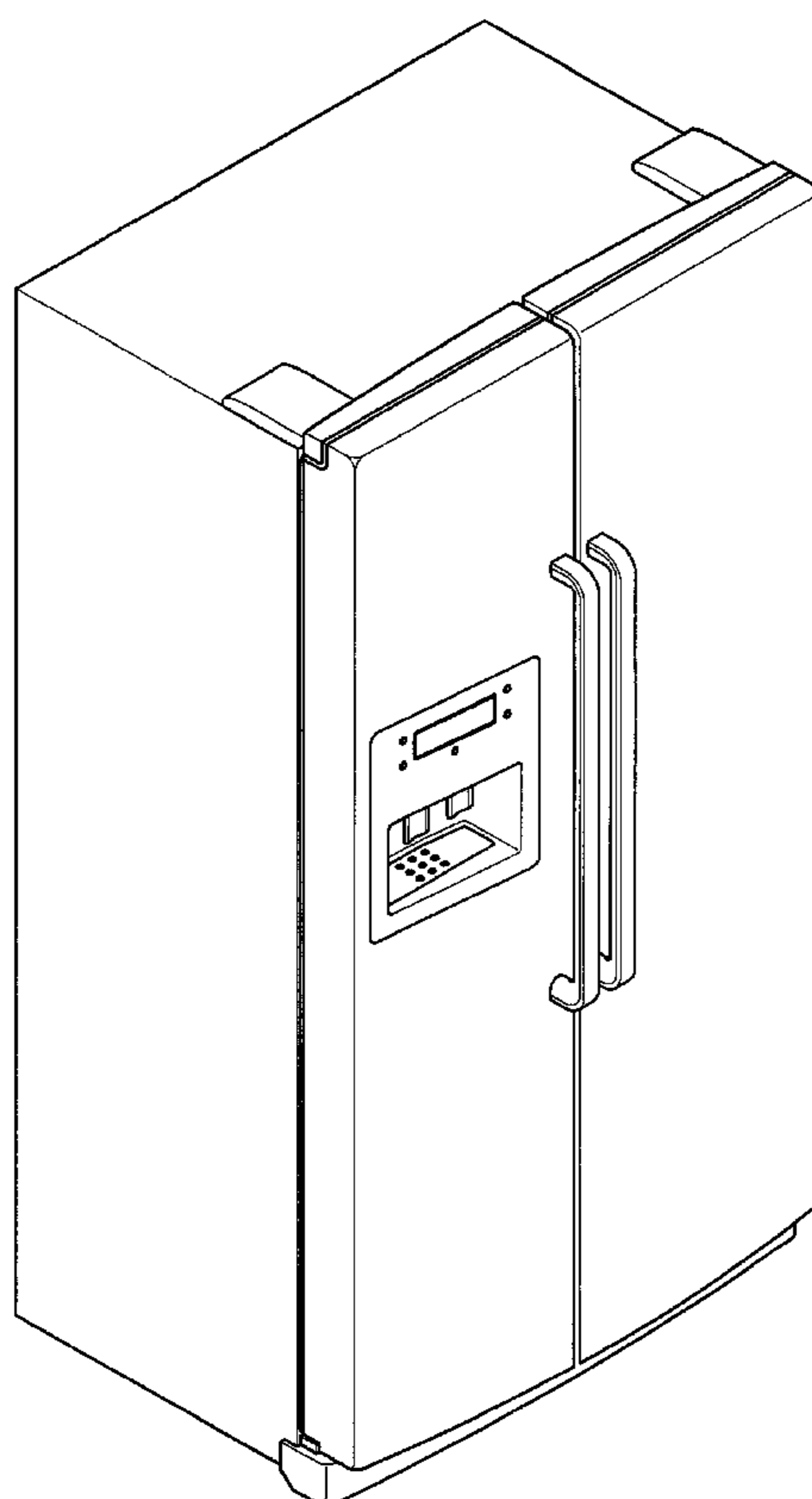


Fig. 1

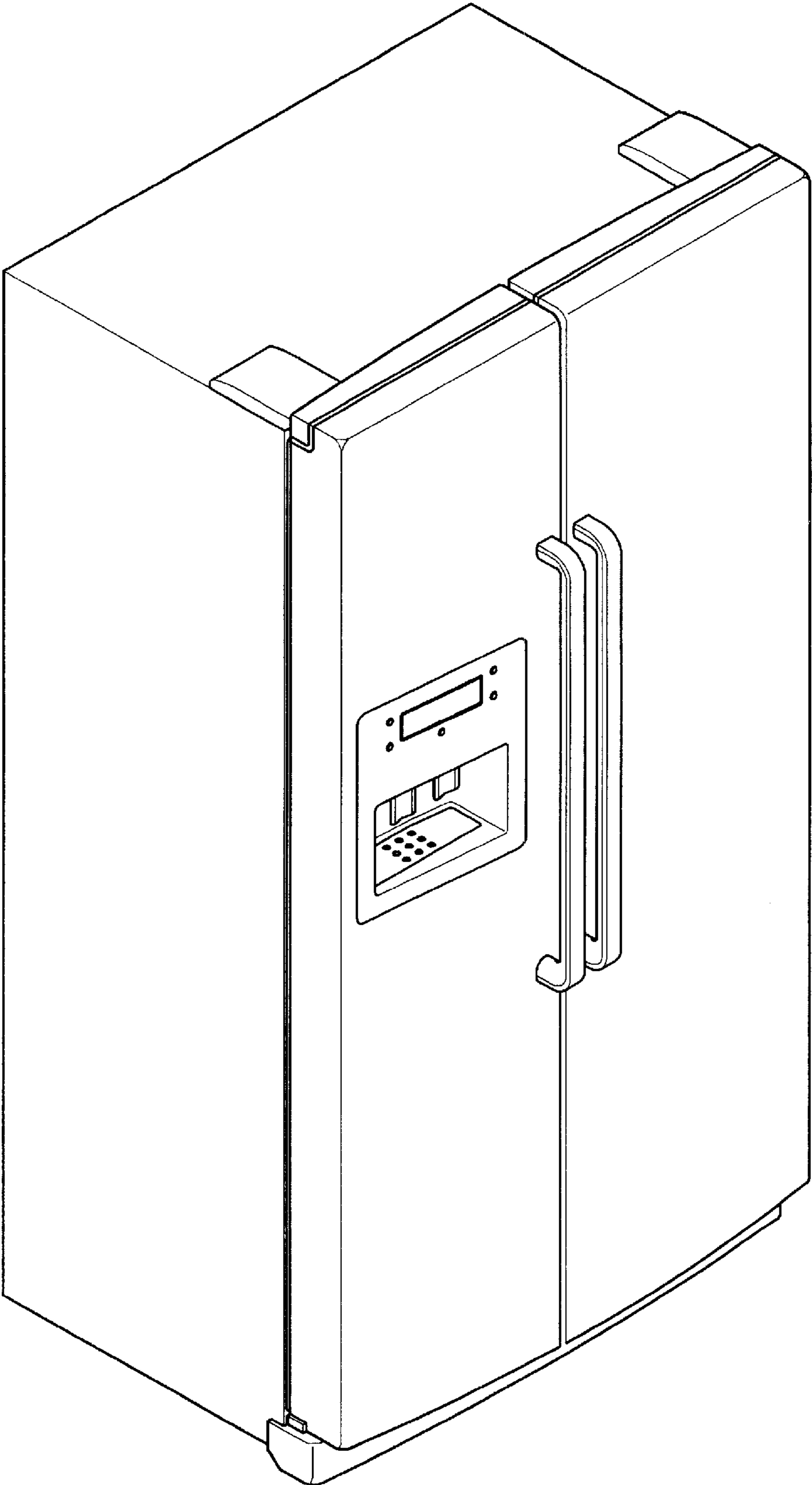


Fig. 2

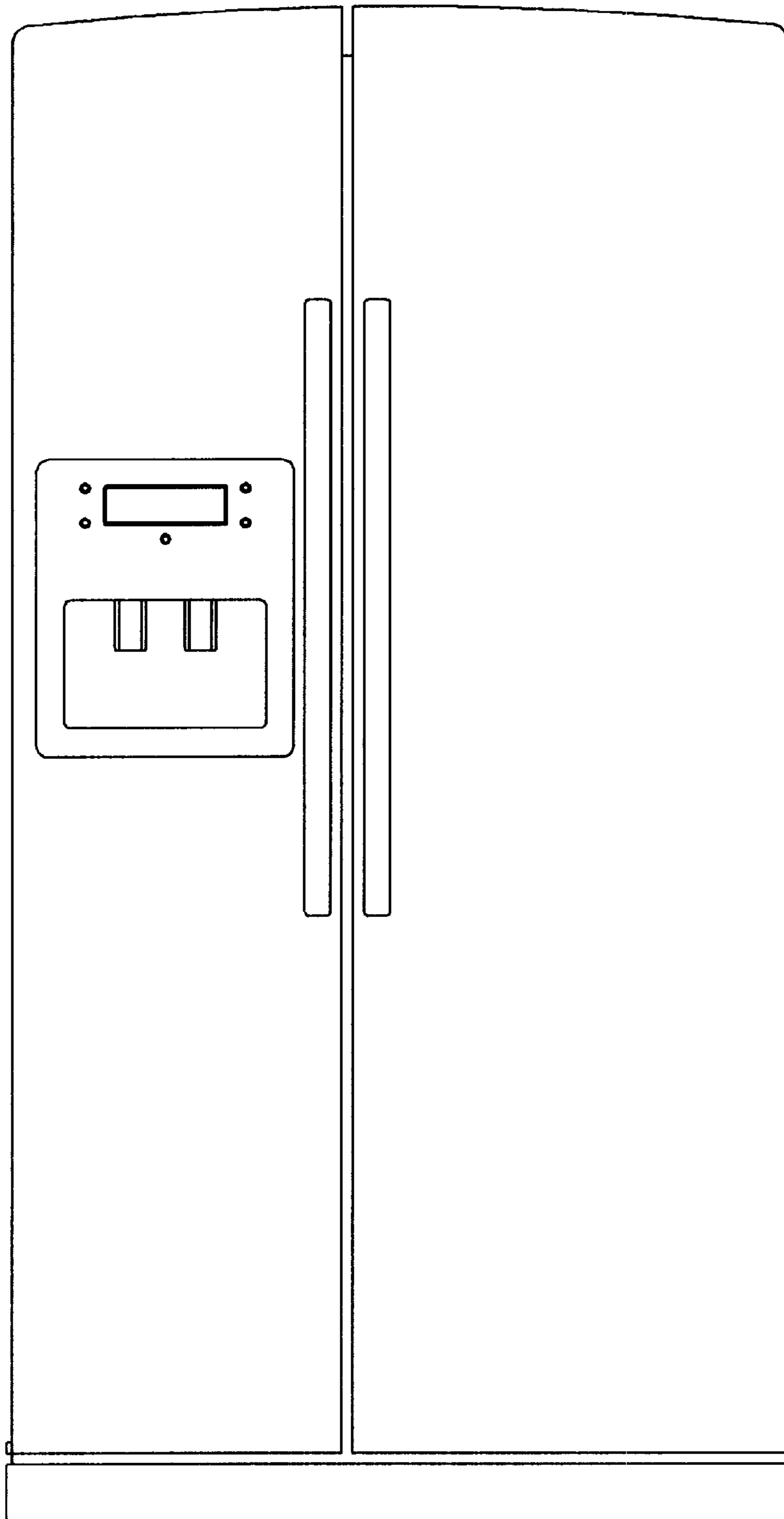


Fig. 3

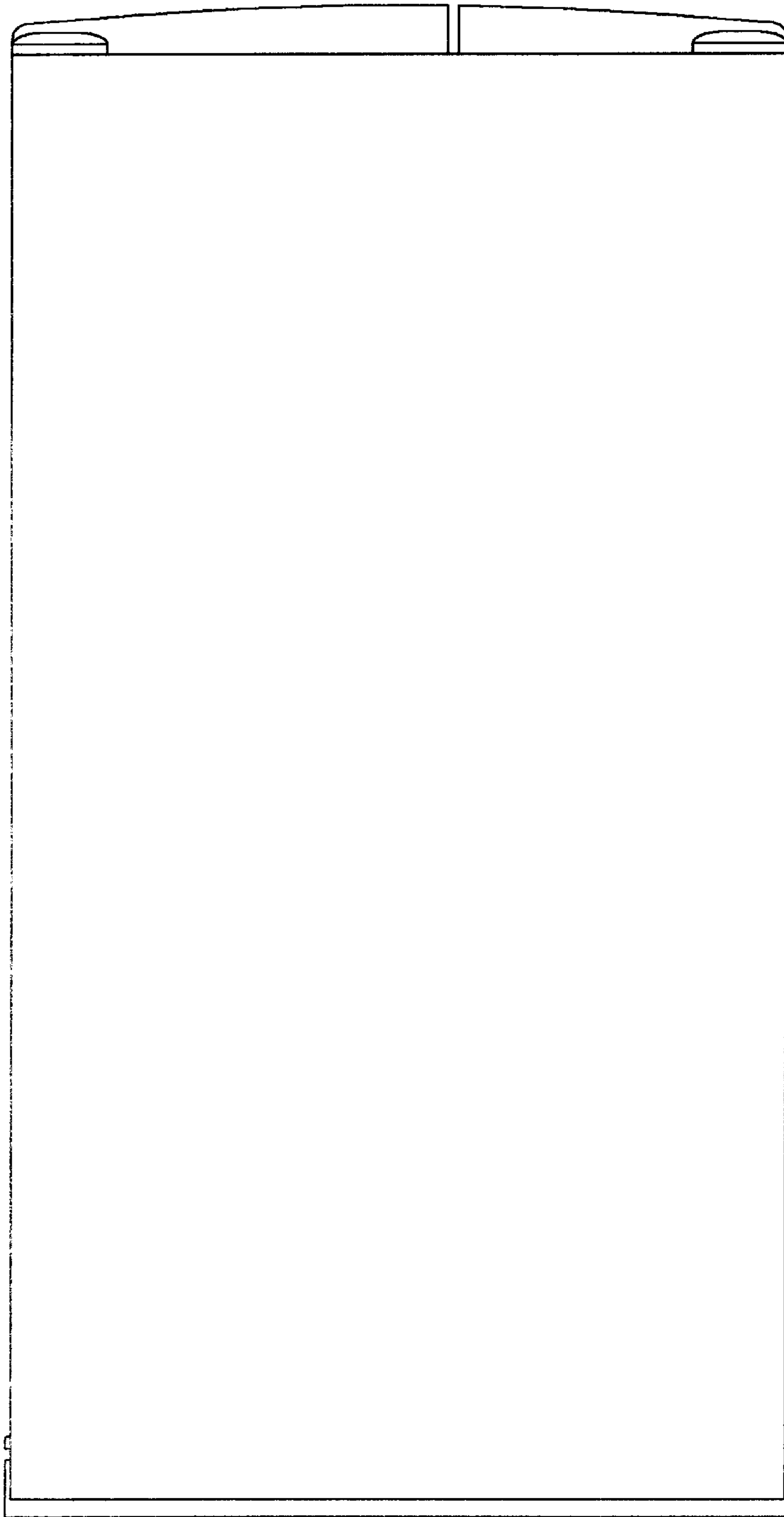


Fig. 4

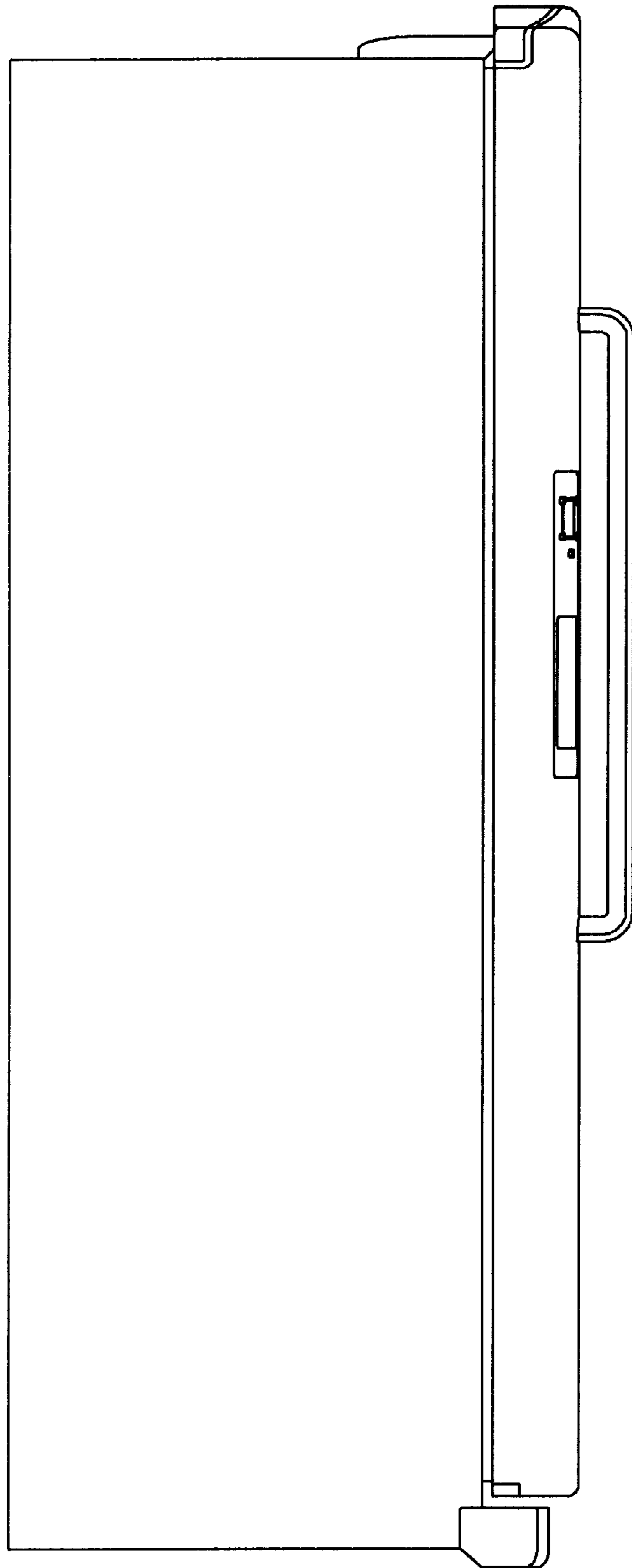


Fig. 5

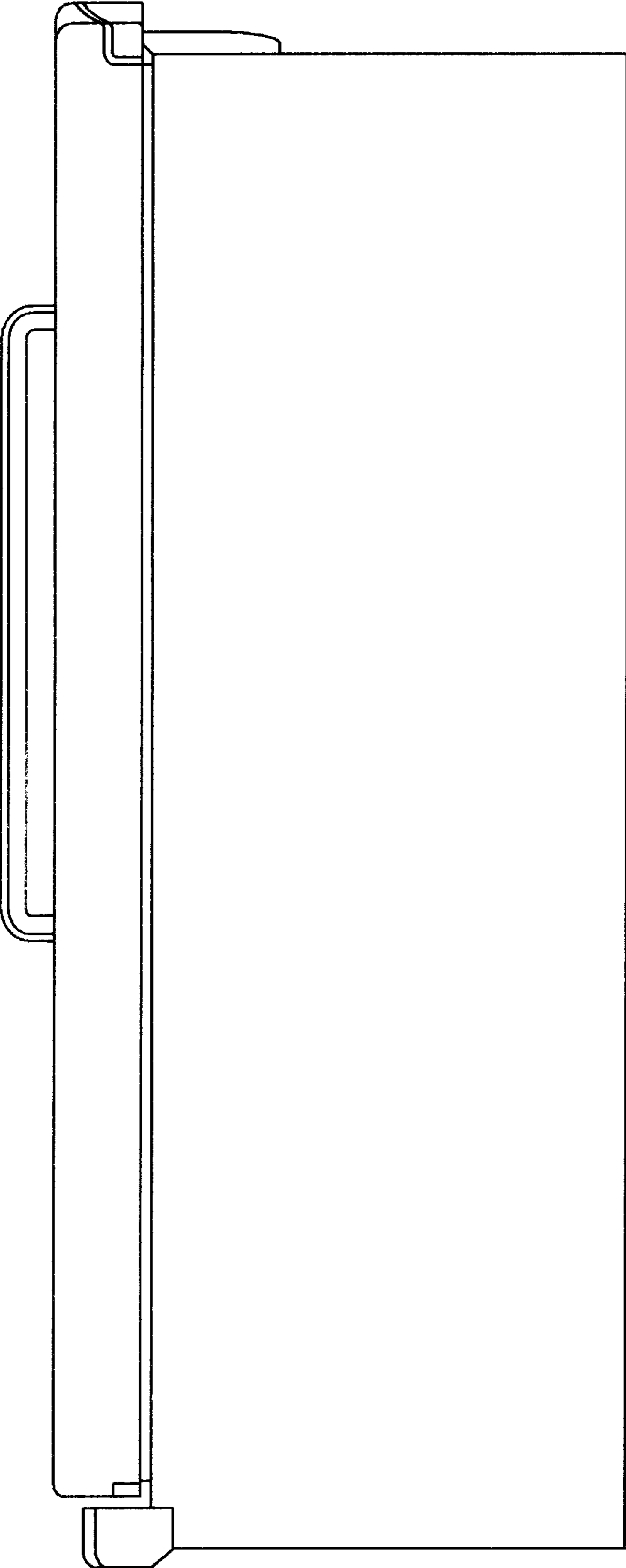


Fig. 6

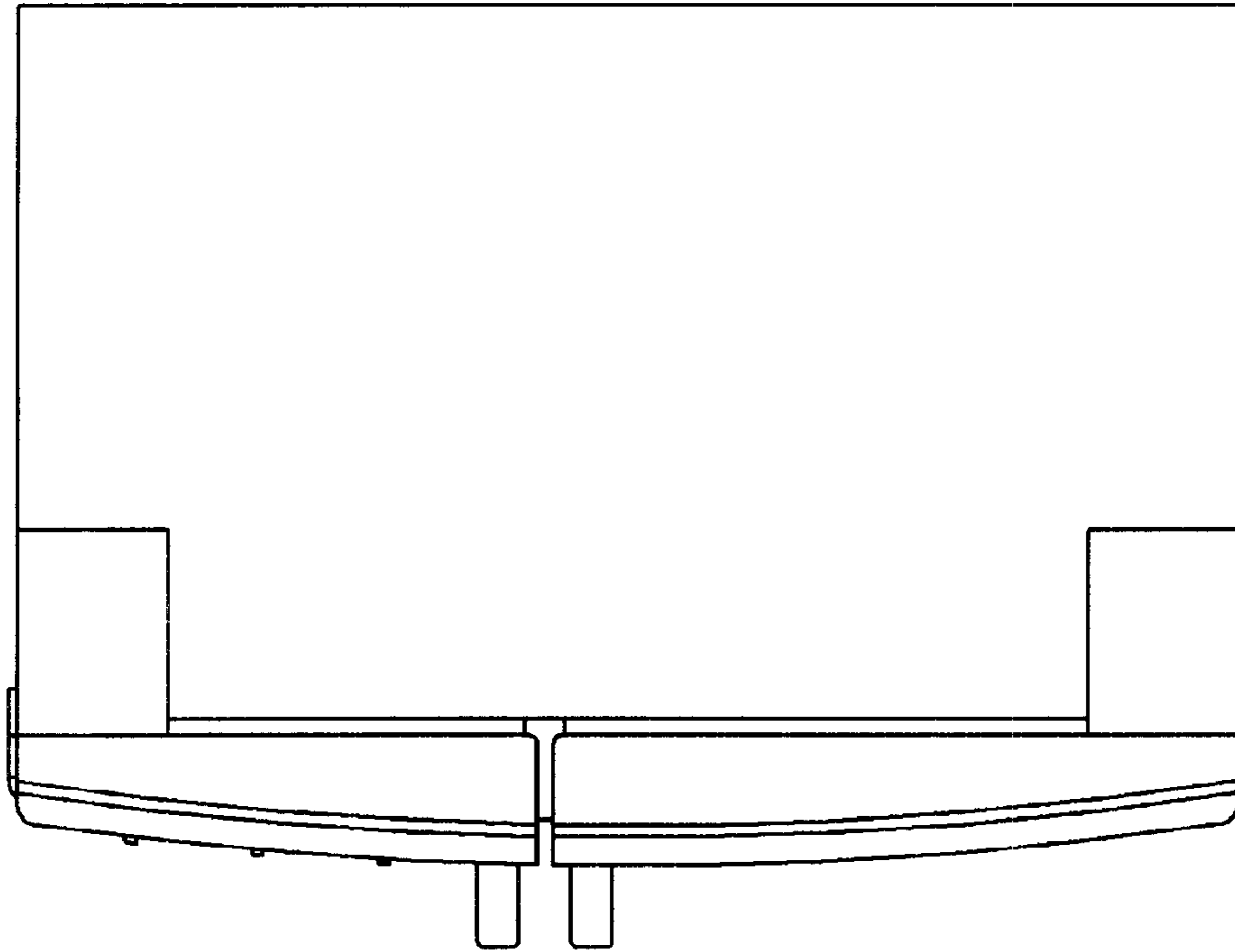


Fig. 7

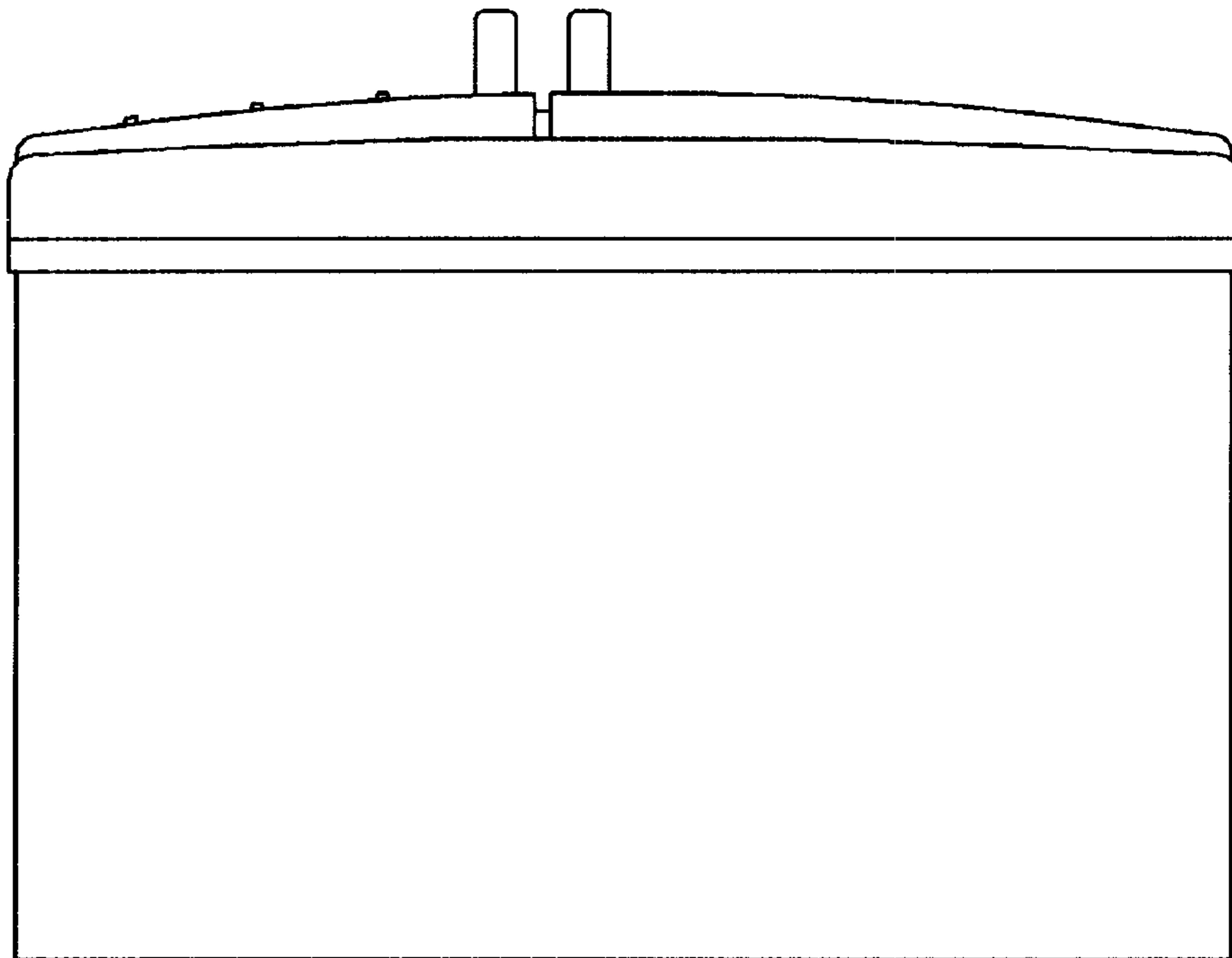


Fig. 8

