



US00D524828S

(12) **United States Design Patent**
Kuroki

(10) **Patent No.:** **US D524,828 S**

(45) **Date of Patent:** **** Jul. 11, 2006**

(54) **SEWING MACHINE**

(75) Inventor: **Nobufusa Kuroki**, Tokyo (JP)

(73) Assignee: **Janome Sewing Machine Company Limited**, Tokyo (JP)

(**) Term: **14 Years**

(21) Appl. No.: **29/226,164**

(22) Filed: **Mar. 25, 2005**

(30) **Foreign Application Priority Data**

Oct. 25, 2004 (JP) 2004-032275

(51) **LOC (8) Cl.** **15-06**

(52) **U.S. Cl.** **D15/69**

(58) **Field of Classification Search** D15/66-78;
D21/527; 112/2, 63, 154, 217.1, 217.2, 217.3,
112/217.4, 255-261, 475.01

See application file for complete search history.

(56) **References Cited**

U.S. PATENT DOCUMENTS

- D307,024 S * 4/1990 Itoh et al. D15/69
- D309,739 S * 8/1990 Itoh et al. D15/69
- D321,518 S * 11/1991 Uchida D15/69
- D321,694 S * 11/1991 Uchida D15/69

- D338,022 S * 8/1993 Takada et al. D15/69
- 5,471,941 A * 12/1995 Sakuma D15/69
- D392,294 S * 3/1998 Kato et al. D15/69
- D450,721 S * 11/2001 Kawaguchi D15/69
- D462,368 S * 9/2002 Kuroki D15/69
- D465,793 S * 11/2002 Takada et al. D15/69
- D482,702 S * 11/2003 Kawaguchi D15/69

* cited by examiner

Primary Examiner—Nanda Bondade

Assistant Examiner—Shanda C. Hill

(74) *Attorney, Agent, or Firm*—Jacobson Holman PLLC

(57) **CLAIM**

The ornamental design for a sewing machine, as shown and described.

DESCRIPTION

FIG. 1 is a front perspective view showing my new design for a sewing machine,
 FIG. 2 is a top view thereof;
 FIG. 3 is a bottom view thereof;
 FIG. 4 is a front view thereof;
 FIG. 5 is a rear view thereof;
 FIG. 6 is a left side view thereof; and,
 FIG. 7 is a right side view thereof.

1 Claim, 7 Drawing Sheets

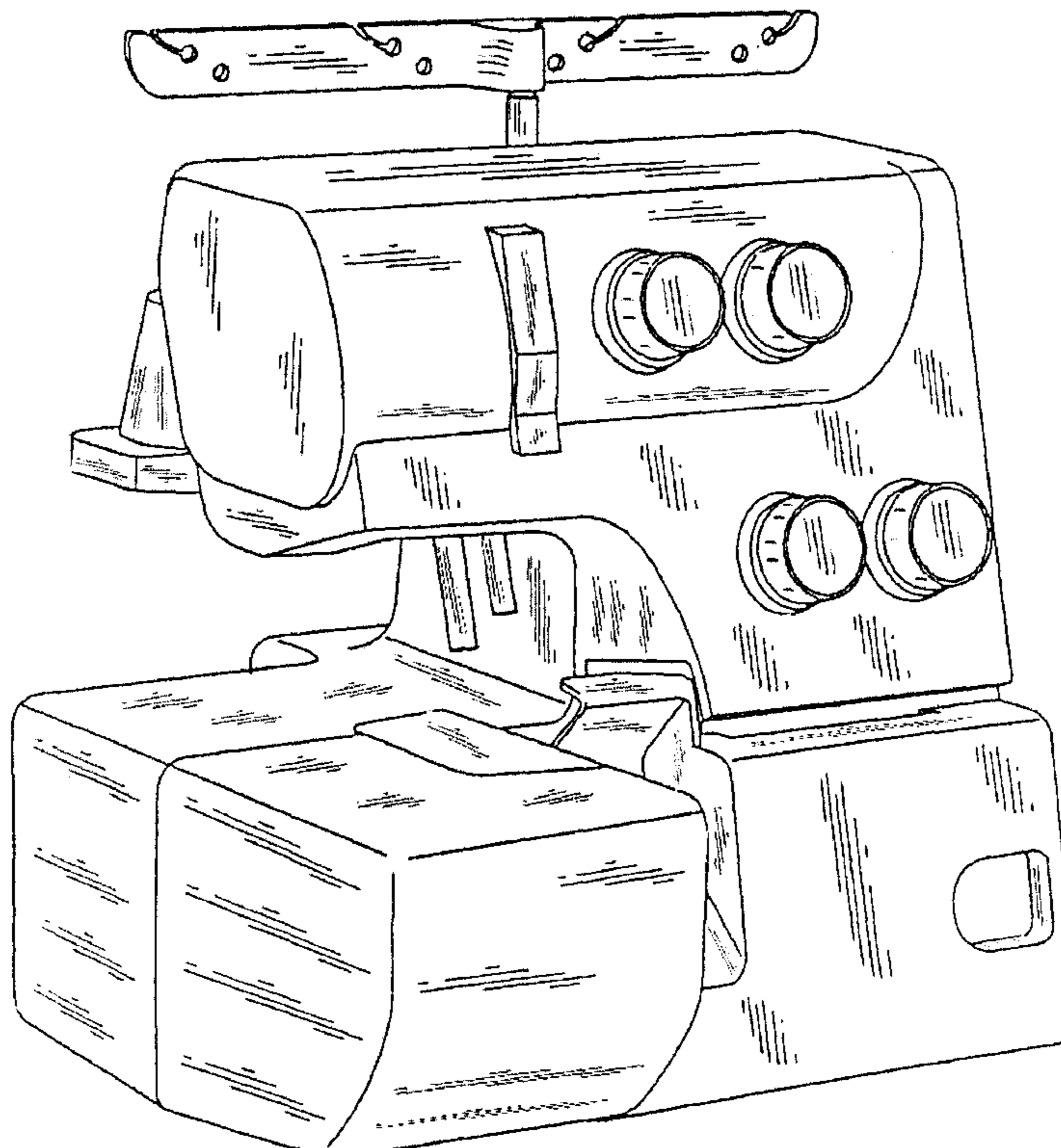


FIG. 1

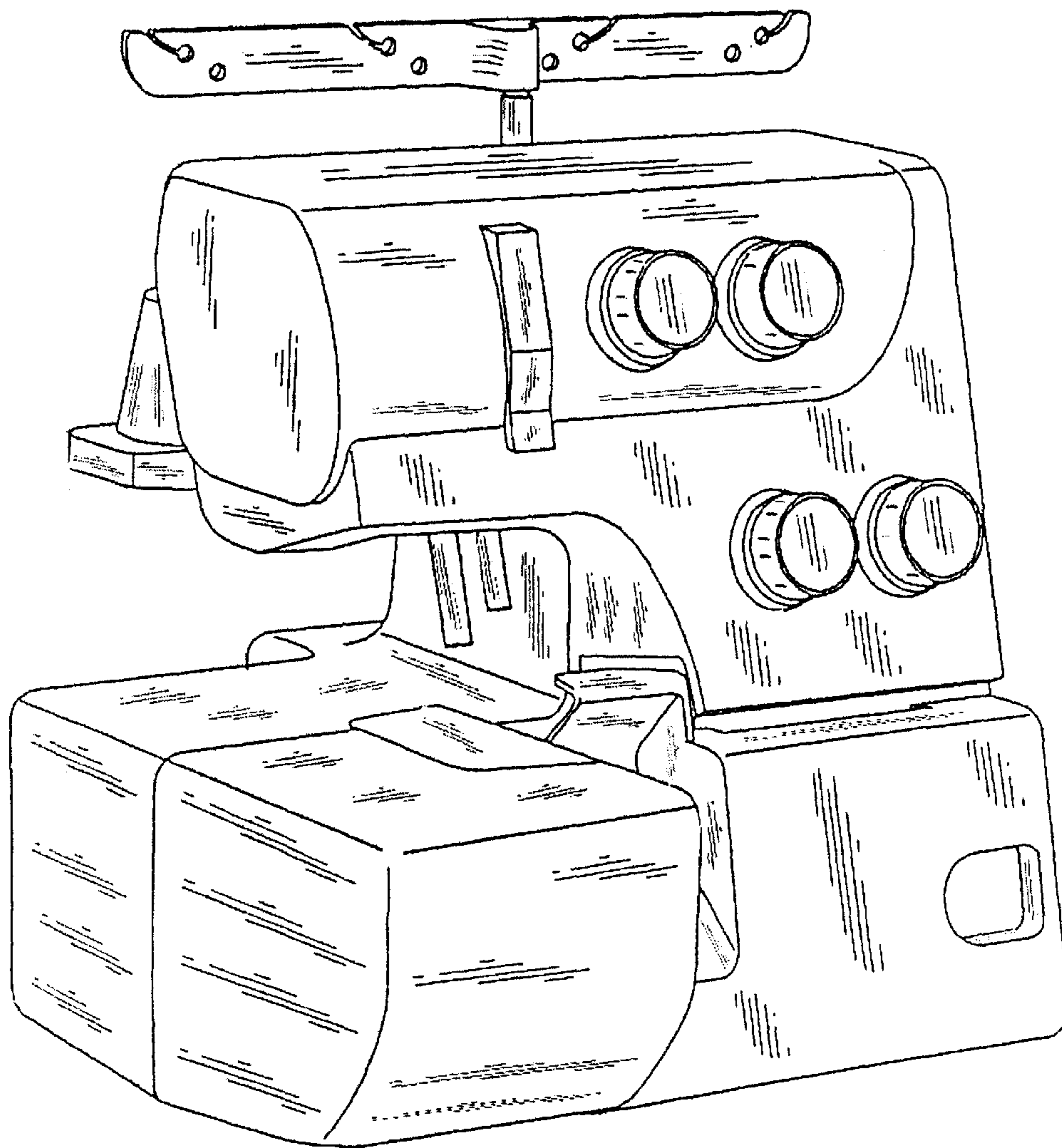


FIG. 2

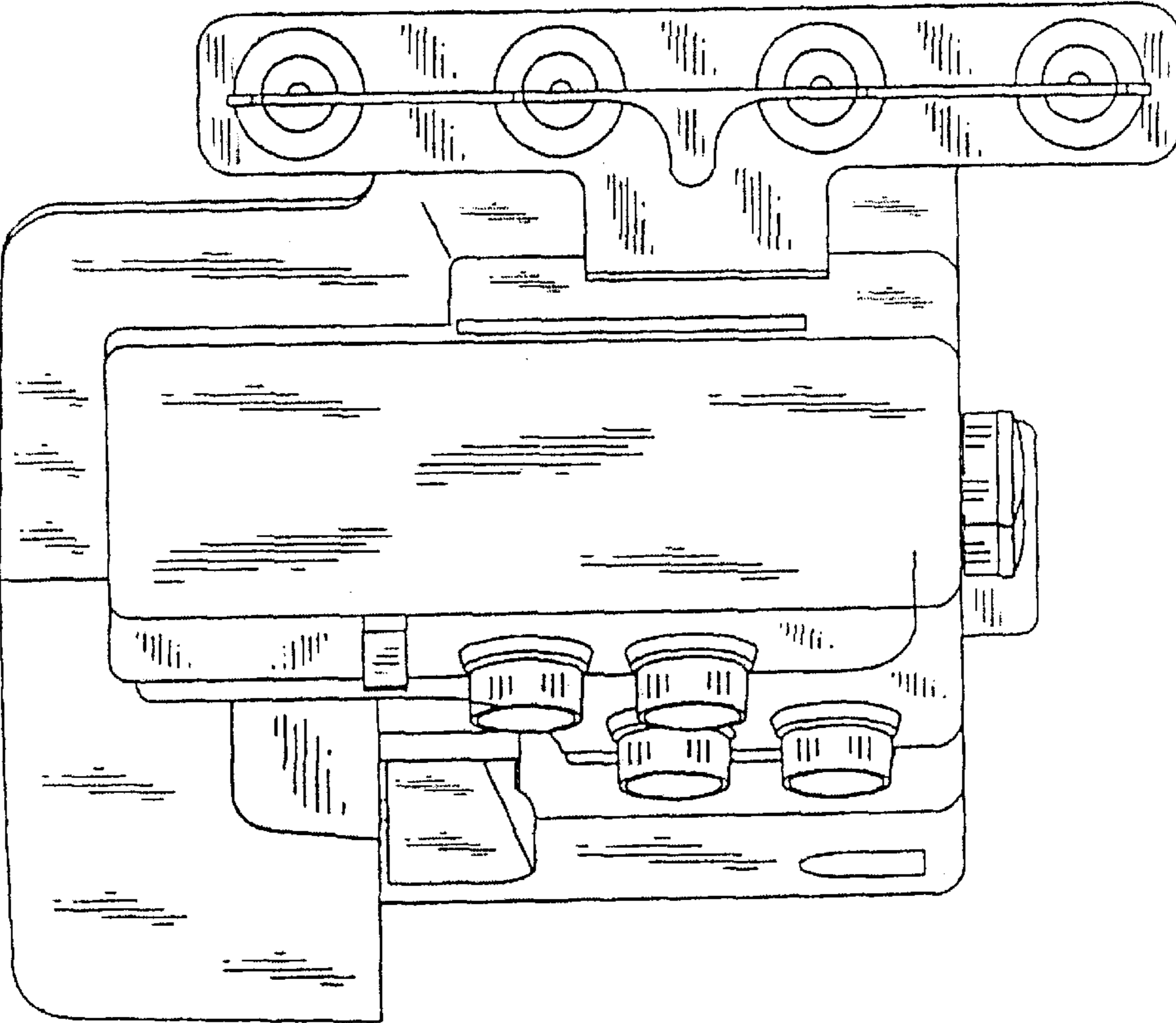


FIG. 3

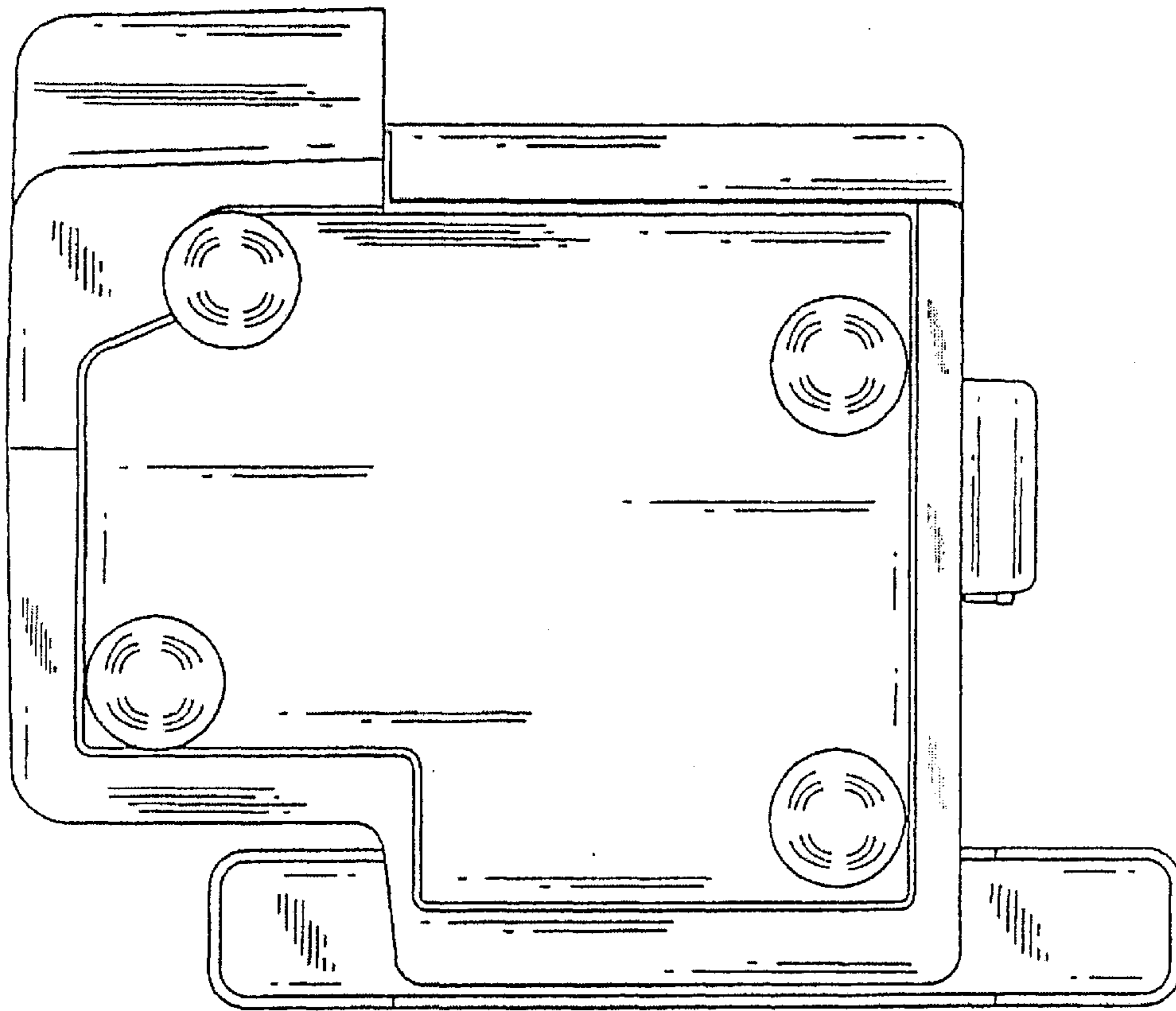


FIG. 4

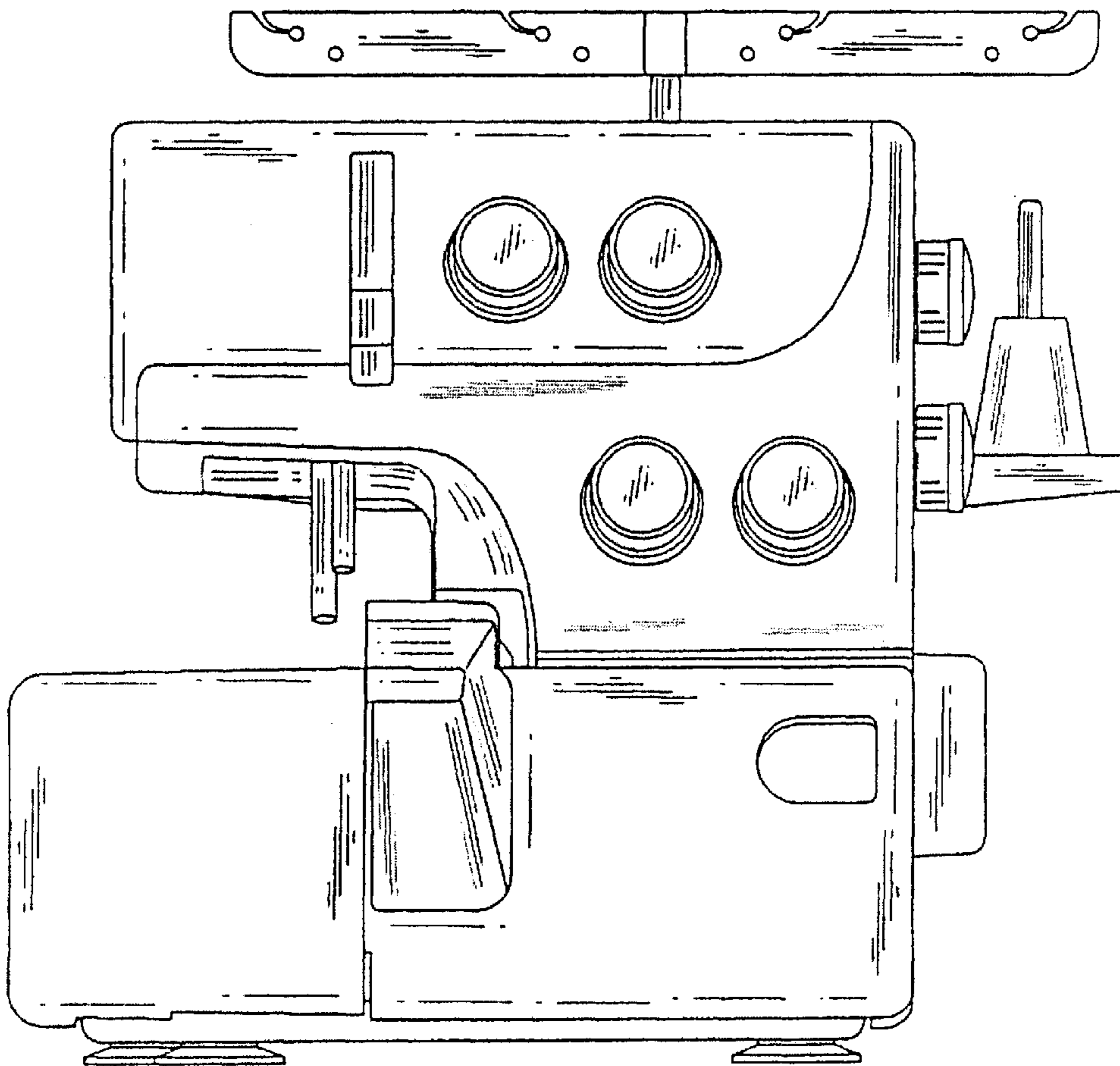


FIG. 5

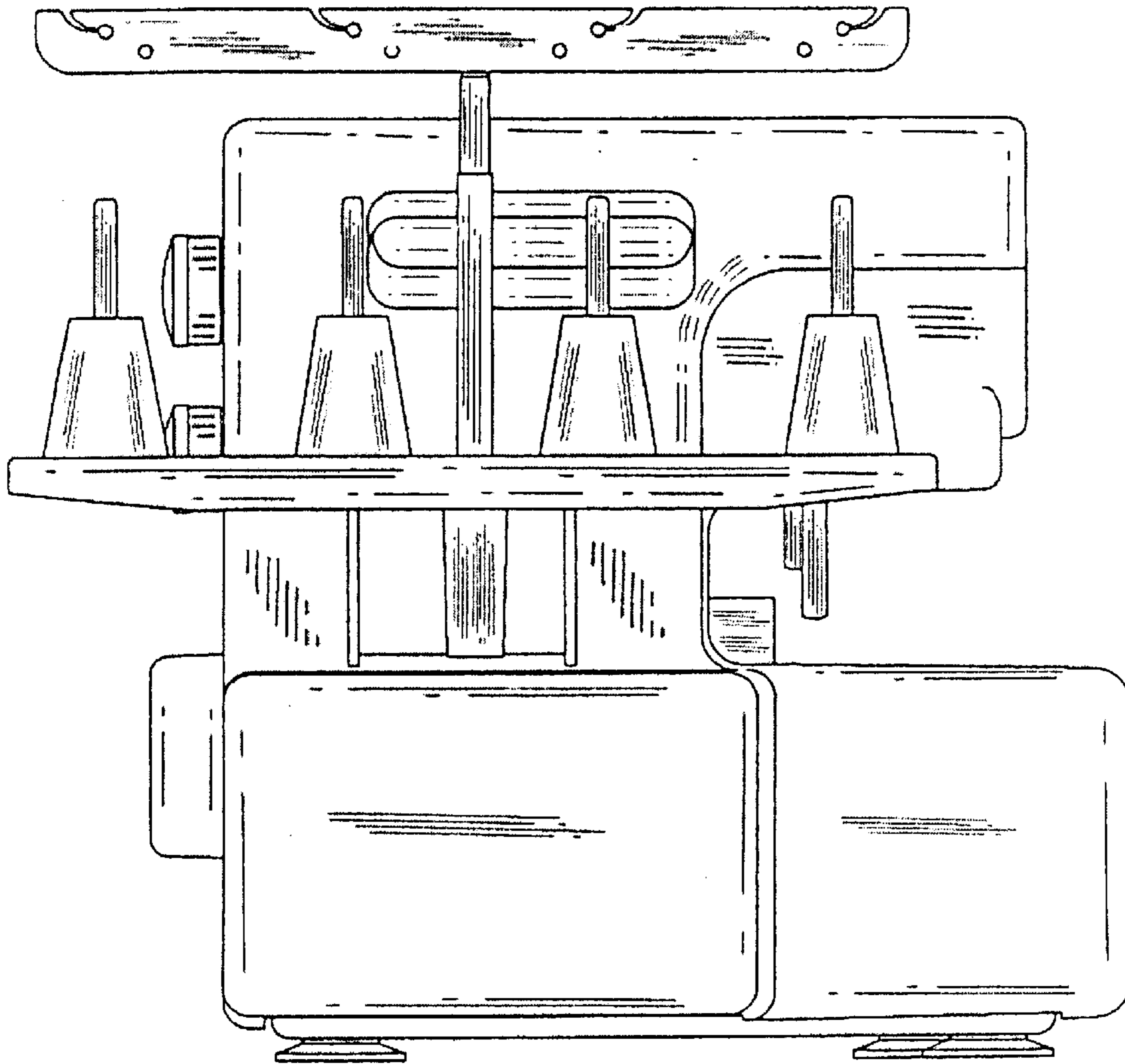


FIG. 6

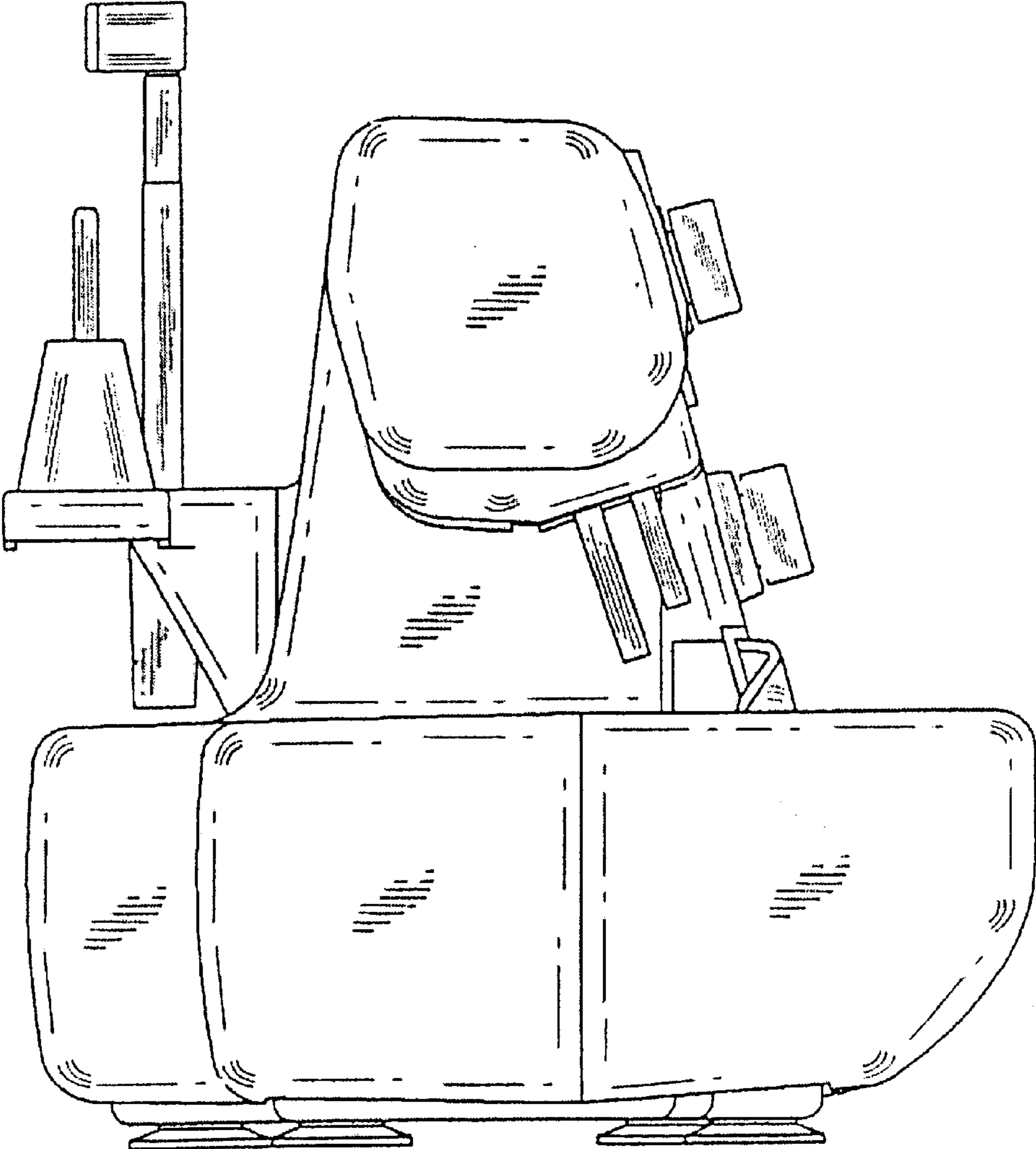


FIG. 7

