



US00D524827S

(12) **United States Design Patent**
Byrne

(10) **Patent No.:** **US D524,827 S**
(45) **Date of Patent:** **** Jul. 11, 2006**

(54) **CUTTER BLADE**

(76) Inventor: **Brian T. Byrne**, 6901 Redman La.,
Chanhasen, MN (US) 55317

(**) Term: **14 Years**

(21) Appl. No.: **29/244,162**

(22) Filed: **Dec. 7, 2005**

(51) **LOC (8) Cl.** **15-03**

(52) **U.S. Cl.** **D15/29; D8/8**

(58) **Field of Classification Search** D15/17,
D15/28, 29, 138, 139, 133; D8/8, 70; 30/276,
30/347, 355, 388; 56/255, 289, 295, 17.5,
56/DIG. 20; 241/282.1; 83/835, 837, 846,
83/854, 665, 676; 125/3; 407/30, 56, 58,
407/61

See application file for complete search history.

(56) **References Cited**

U.S. PATENT DOCUMENTS

3,343,350	A	*	9/1967	Freedlander et al.	56/295
3,781,991	A	*	1/1974	Stretton et al.	30/276
4,250,621	A	*	2/1981	Houle	30/347
4,302,878	A	*	12/1981	Bonforte	30/347
D264,062	S	*	4/1982	Ornatek	D11/166
D268,640	S	*	4/1983	Bonforte	D8/8
D268,641	S	*	4/1983	Bonforte	D15/17

D295,524	S	*	5/1988	Rowan et al.	D15/28
5,287,686	A	*	2/1994	Lindsay	56/255
5,394,612	A	*	3/1995	Wolfington	30/347
D389,382	S	*	1/1998	Houle	D8/8
D440,580	S	*	4/2001	Cooper et al.	D15/17
D463,804	S	*	10/2002	Porter et al.	D15/11
D493,476	S	*	7/2004	Apfel et al.	D15/139
D502,185	S	*	2/2005	Byrne	D15/17

* cited by examiner

Primary Examiner—Stella Reid
Assistant Examiner—Mark Goodwin

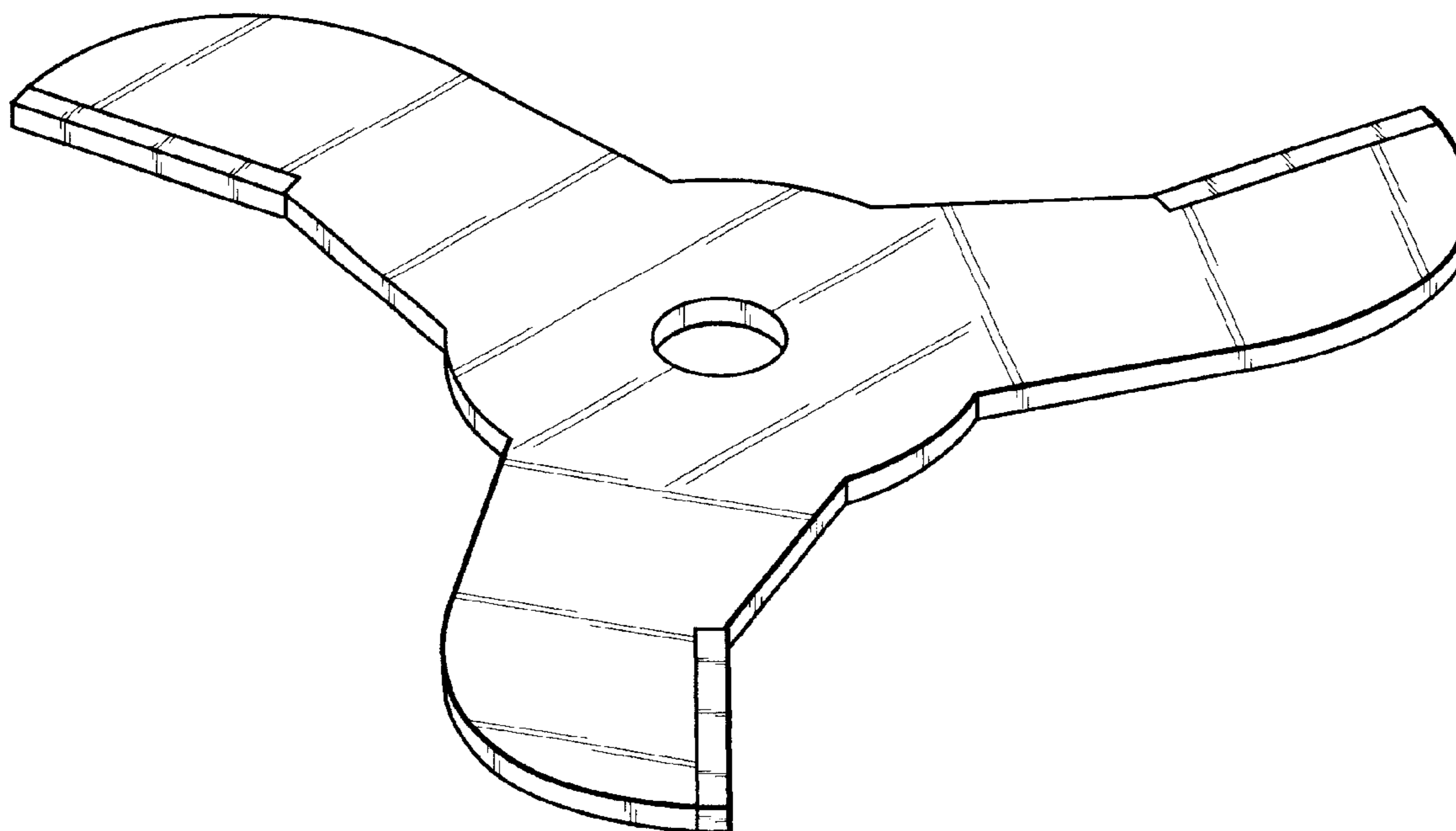
(57) **CLAIM**

The ornamental design for a cutter blade, as shown and described.

DESCRIPTION

FIG. 1 is a perspective view of the cutter blade showing my new design;
FIG. 2 is a front elevational view thereof;
FIG. 3 is a rear elevational view thereof;
FIG. 4 is a bottom plan view along line 4—4 of FIG. 2;
FIG. 5 is a top plan view along line 5—5 of FIG. 2;
FIG. 6 is a side elevational view along line 6—6 of FIG. 2;
and,
FIG. 7 is a side elevational view along line 7—7 of FIG. 2.

1 Claim, 4 Drawing Sheets



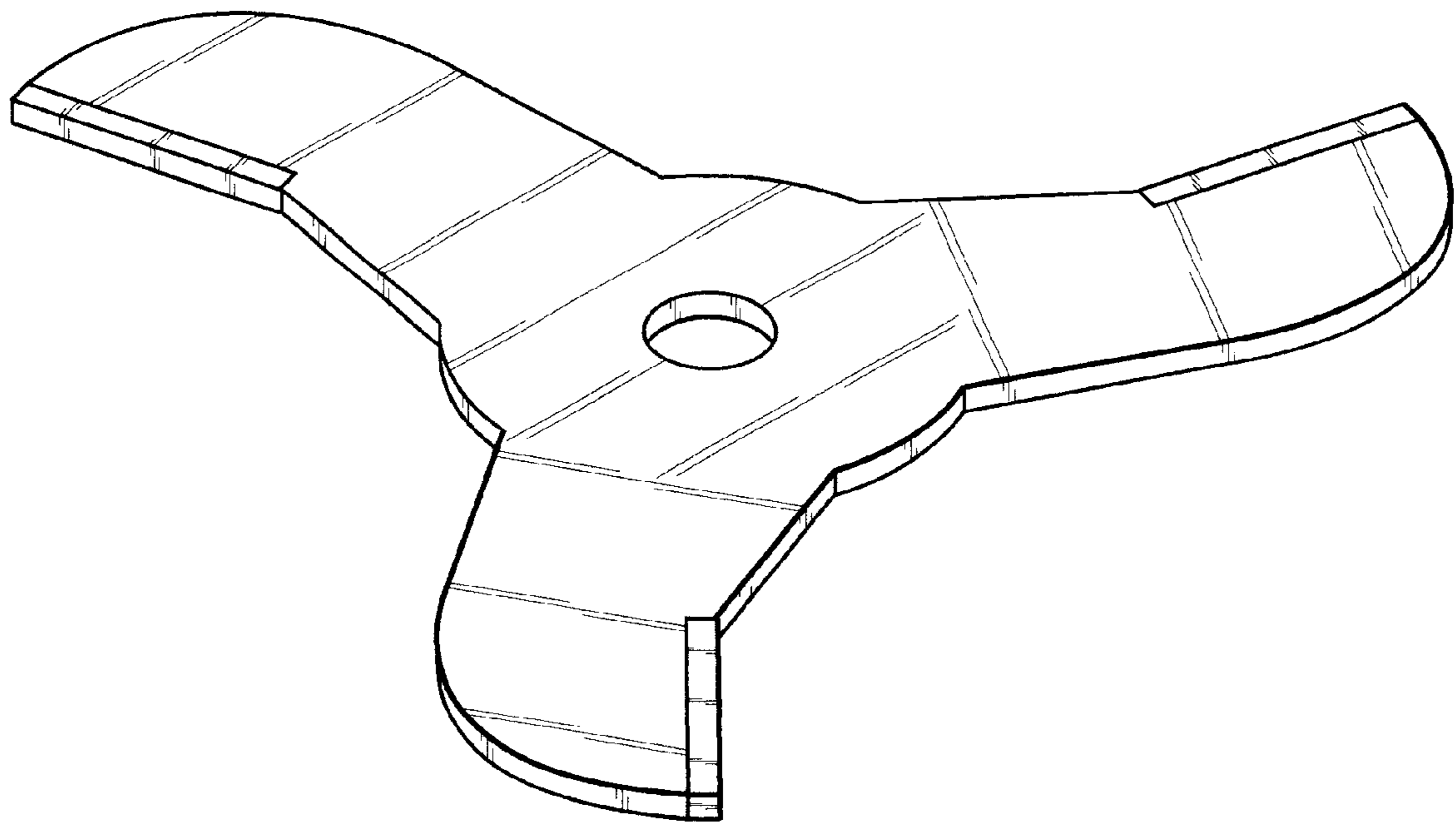


FIG. 1

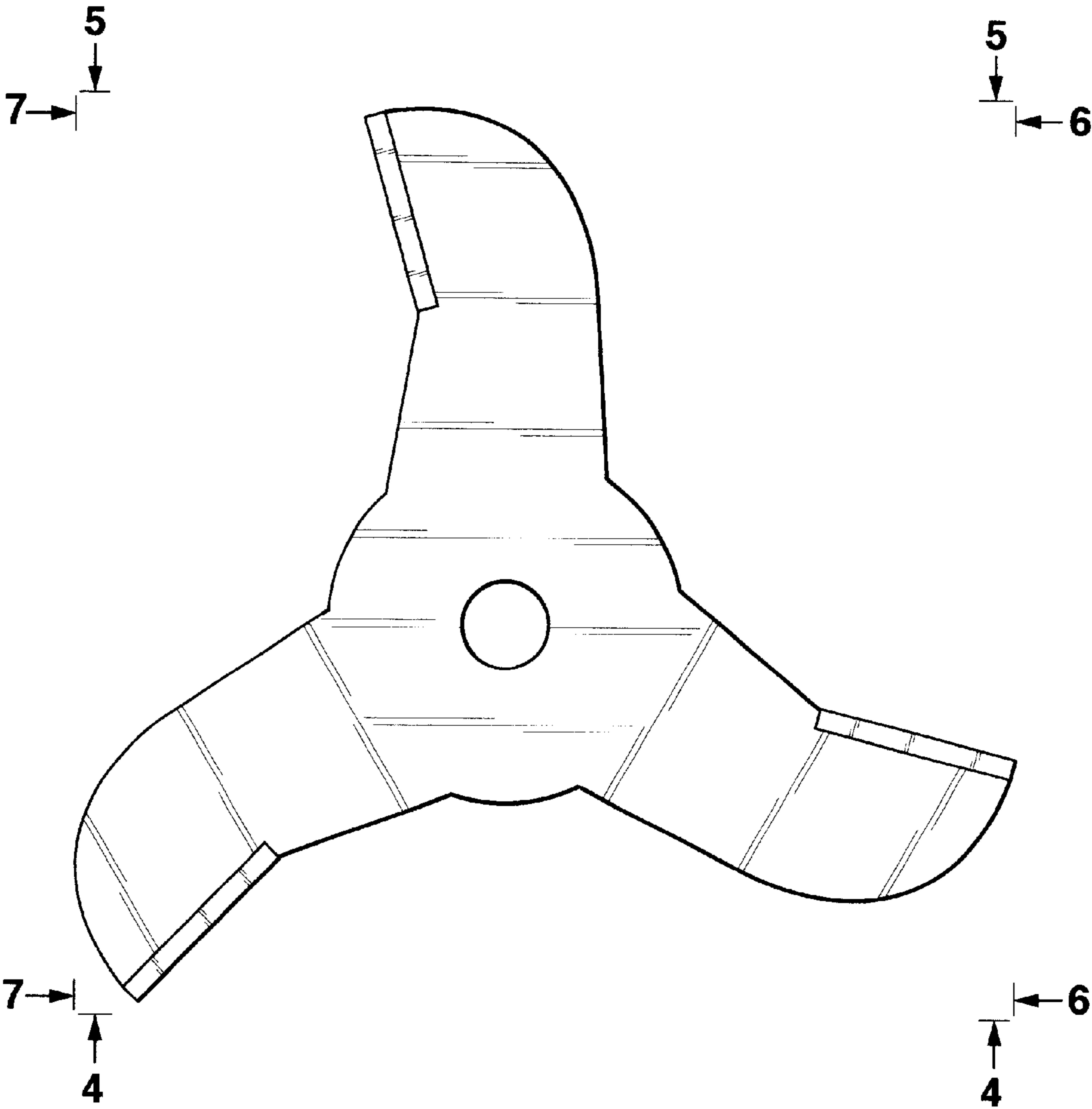


FIG. 2

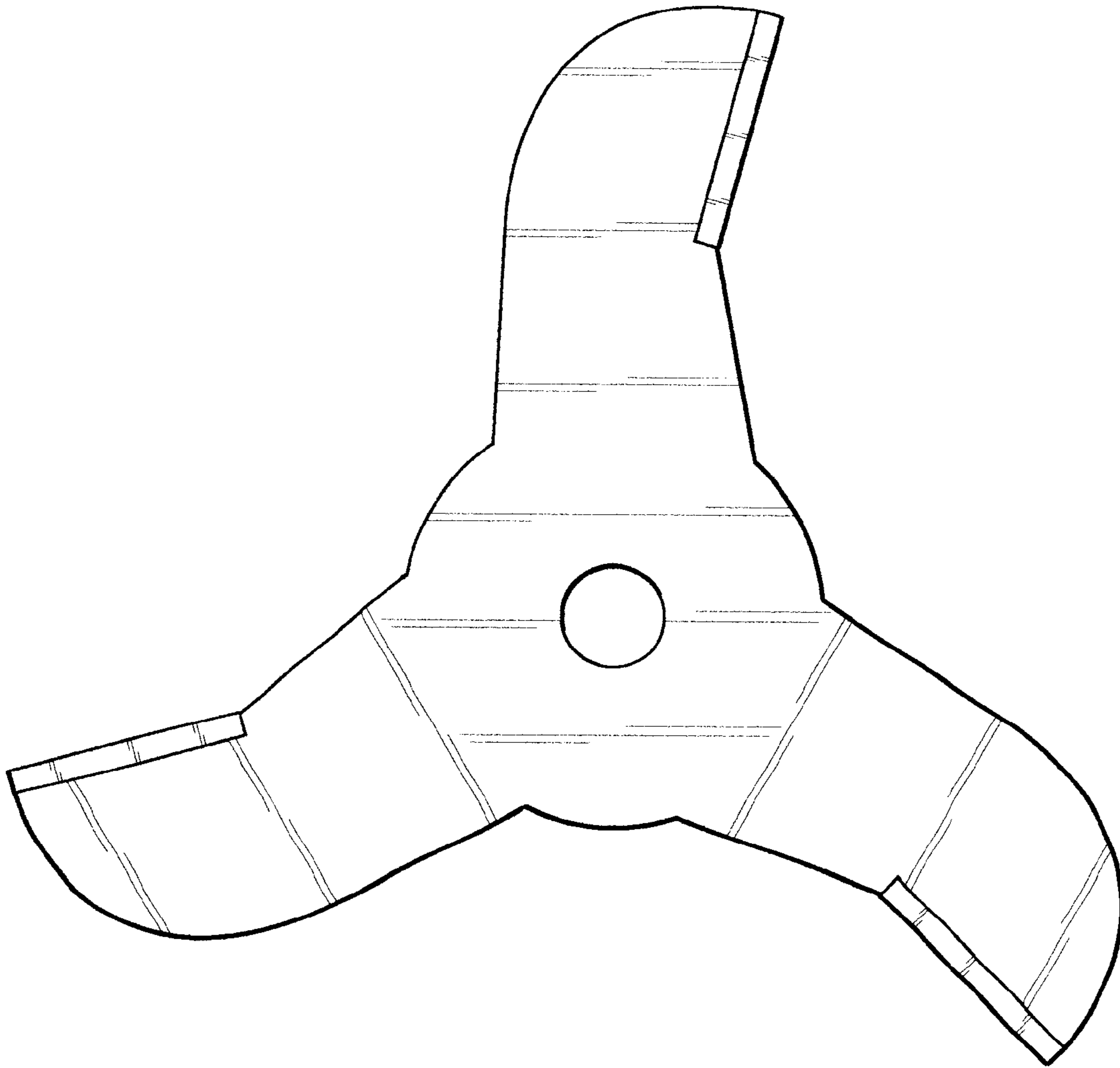


FIG. 3

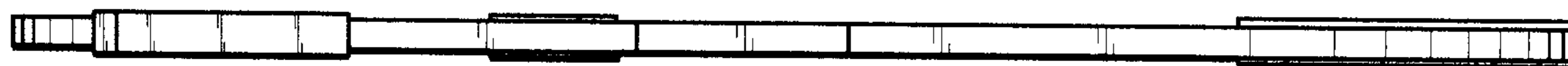


FIG. 4



FIG. 5

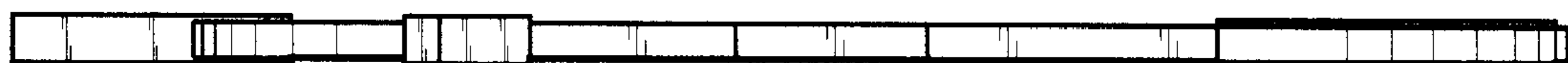


FIG. 6

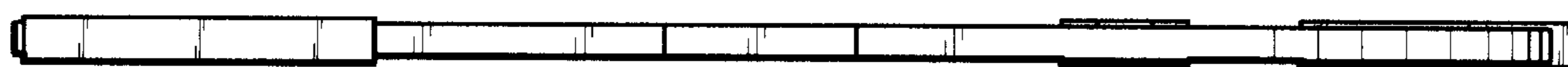


FIG. 7