

US00D524826S

(12) **United States Design Patent**
Boyapally et al.

(10) **Patent No.: US D524,826 S**
(45) **Date of Patent: ** Jul. 11, 2006**

(54) **BUCKET**

(75) Inventors: **Pandu R. Boyapally**, Aurora, IL (US);
Douglas R. Bye, Hinckley, IL (US);
Jeffrey J. Kurtz, Yorkville, IL (US)

(73) Assignee: **Caterpillar Inc.**, Peoria, IL (US)

(**) Term: **14 Years**

(21) Appl. No.: **29/233,700**

(22) Filed: **Jul. 6, 2005**

(51) **LOC (8) Cl.** **15-03**

(52) **U.S. Cl.** **D15/29**

(58) **Field of Classification Search** D15/10,
D15/22-26, 28, 29, 32; D21/537; 37/403,
37/446, 117.5, 408, 409, 444, 411, 443, 435,
37/379; 414/723, 686; 403/326, 315, 322.1
See application file for complete search history.

(56) **References Cited**

U.S. PATENT DOCUMENTS

2,967,726 A	1/1961	Weston	
3,543,863 A	12/1970	Ball et al.	
4,081,919 A *	4/1978	Teach	37/444
4,096,957 A	6/1978	Iverson et al.	
4,133,121 A	1/1979	Hemphill	
4,243,341 A	1/1981	Kabay et al.	
4,251,182 A	2/1981	Schroeder	
4,297,074 A *	10/1981	Ballinger	414/723
4,398,862 A	8/1983	Schroeder	
4,400,898 A	8/1983	Christensen et al.	
D274,622 S *	7/1984	Neander	D15/32
4,607,977 A	8/1986	Varnelis et al.	
D299,723 S *	2/1989	Frawley	D15/32
D308,528 S *	6/1990	Harr	D15/32
D326,859 S *	6/1992	Cody et al.	D15/32
D344,526 S *	2/1994	Kallen et al.	D15/32
5,332,353 A *	7/1994	Arnold	414/723
D357,260 S *	4/1995	Kallen	D15/32
5,416,990 A *	5/1995	Otwell	37/445
5,813,822 A *	9/1998	Pisco	414/723
5,815,959 A *	10/1998	Bahner et al.	37/444
5,927,665 A	7/1999	Grabnic	
5,951,192 A	9/1999	Collins	
6,070,345 A *	6/2000	Akaki et al.	37/407

6,074,120 A *	6/2000	Williams	403/326
6,108,951 A	8/2000	Renfrow et al.	
D431,253 S *	9/2000	Marchetta et al.	D15/25
6,158,917 A	12/2000	Wolin et al.	
6,273,632 B1	8/2001	Takahashi et al.	
6,283,667 B1	9/2001	Neitzel	
6,322,280 B1	11/2001	Coyne	
6,350,079 B1 *	2/2002	Williams	403/326
D469,786 S *	2/2003	Miller et al.	D15/24
6,694,571 B1	2/2004	Albright et al.	
D496,052 S *	9/2004	Braime et al.	D15/32

FOREIGN PATENT DOCUMENTS

GB 2 362 371 B 9/2004

OTHER PUBLICATIONS

“Miller The Complete Solution,” <<http://www.miller-uk.com/index.php>>, printed Jun. 23, 2005.

“Kenco Corporation, Hard Rock Excavator Buckets,” <http://www.kenco.com/buckets_att.html>, printed Jun. 23, 2005.

* cited by examiner

Primary Examiner—Stella Reid

Assistant Examiner—Mark Goodwin

(74) *Attorney, Agent, or Firm*—Andrew J. Ririe

(57) **CLAIM**

The ornamental design for a bucket, as shown and described.

DESCRIPTION

FIG. 1 is a perspective view of a bucket showing our new design.

FIG. 2 is another perspective view of the bucket of FIG. 1.

FIG. 3 is another perspective view of the bucket of FIG. 1.

FIG. 4 is a side view of the bucket of FIG. 1. The opposite side view is identical to this side view.

FIG. 5 is a front view of the bucket of FIG. 1.

FIG. 6 is a rear view of the bucket of FIG. 1.

FIG. 7 is a top view of the bucket of FIG. 1; and,

FIG. 8 is a bottom view of the bucket of FIG. 1.

The broken lines showing various features are for illustrative purposes only and form no part of the claimed design.

1 Claim, 8 Drawing Sheets

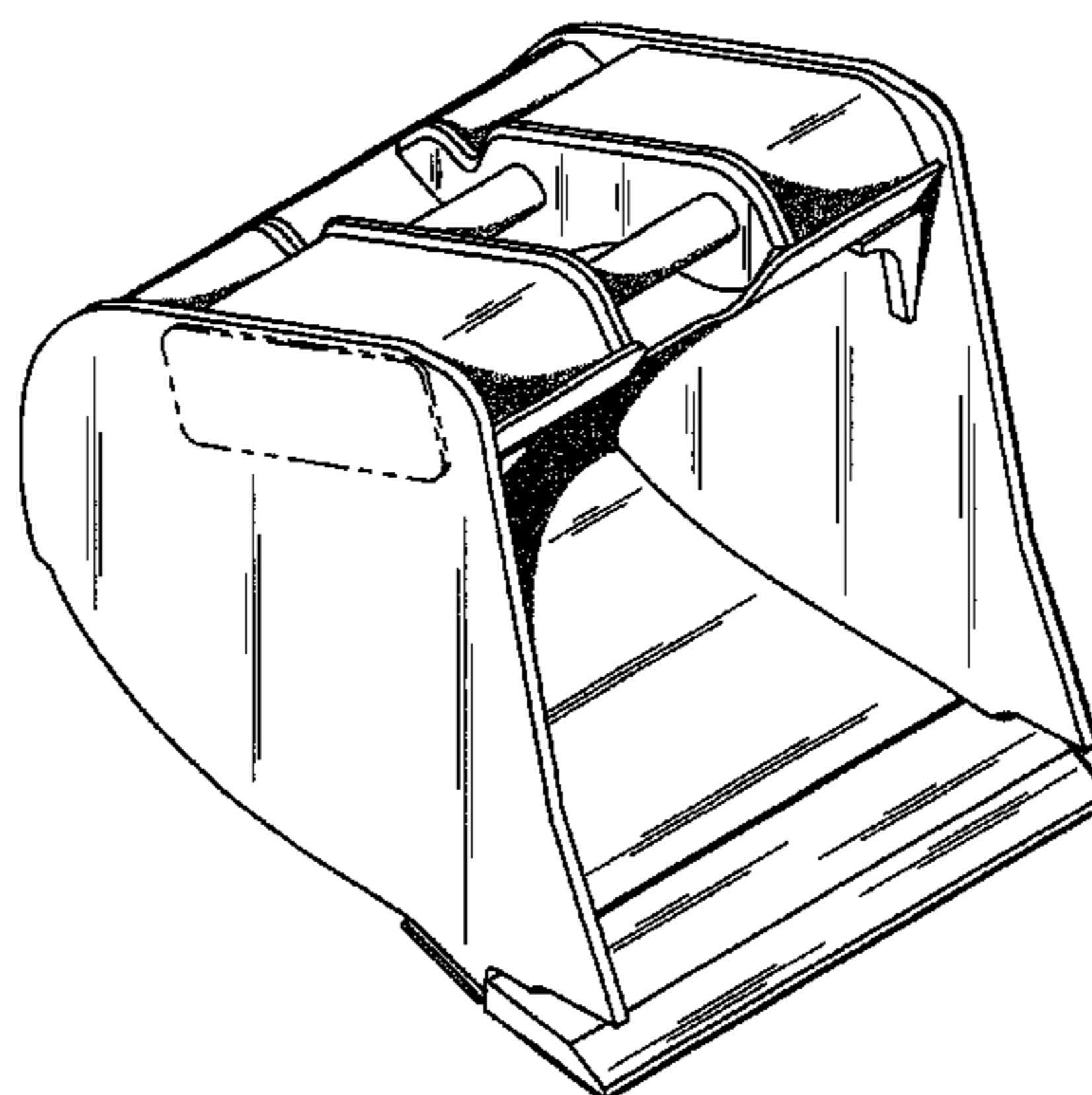


FIG. 1.

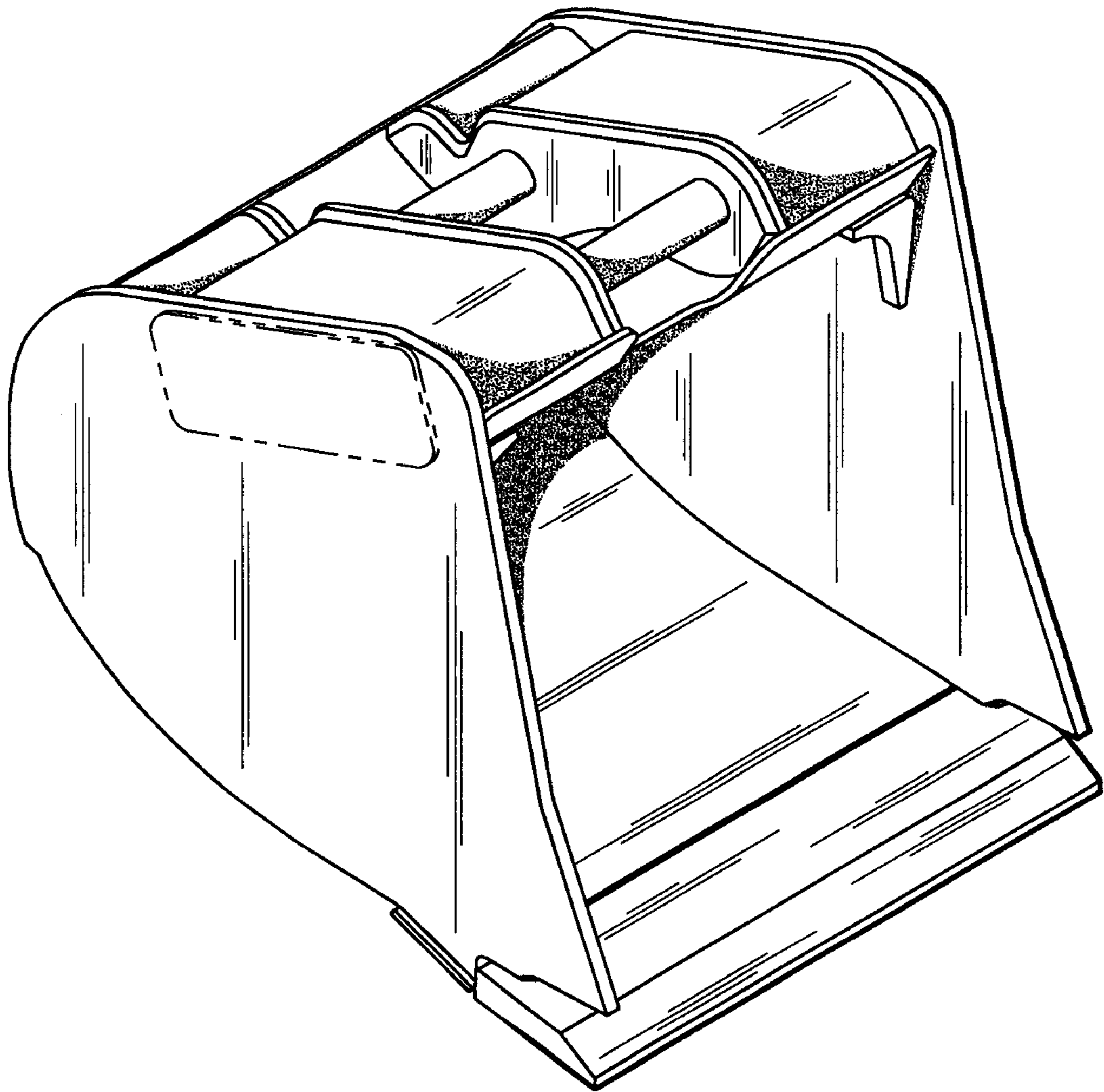


FIG. 2.

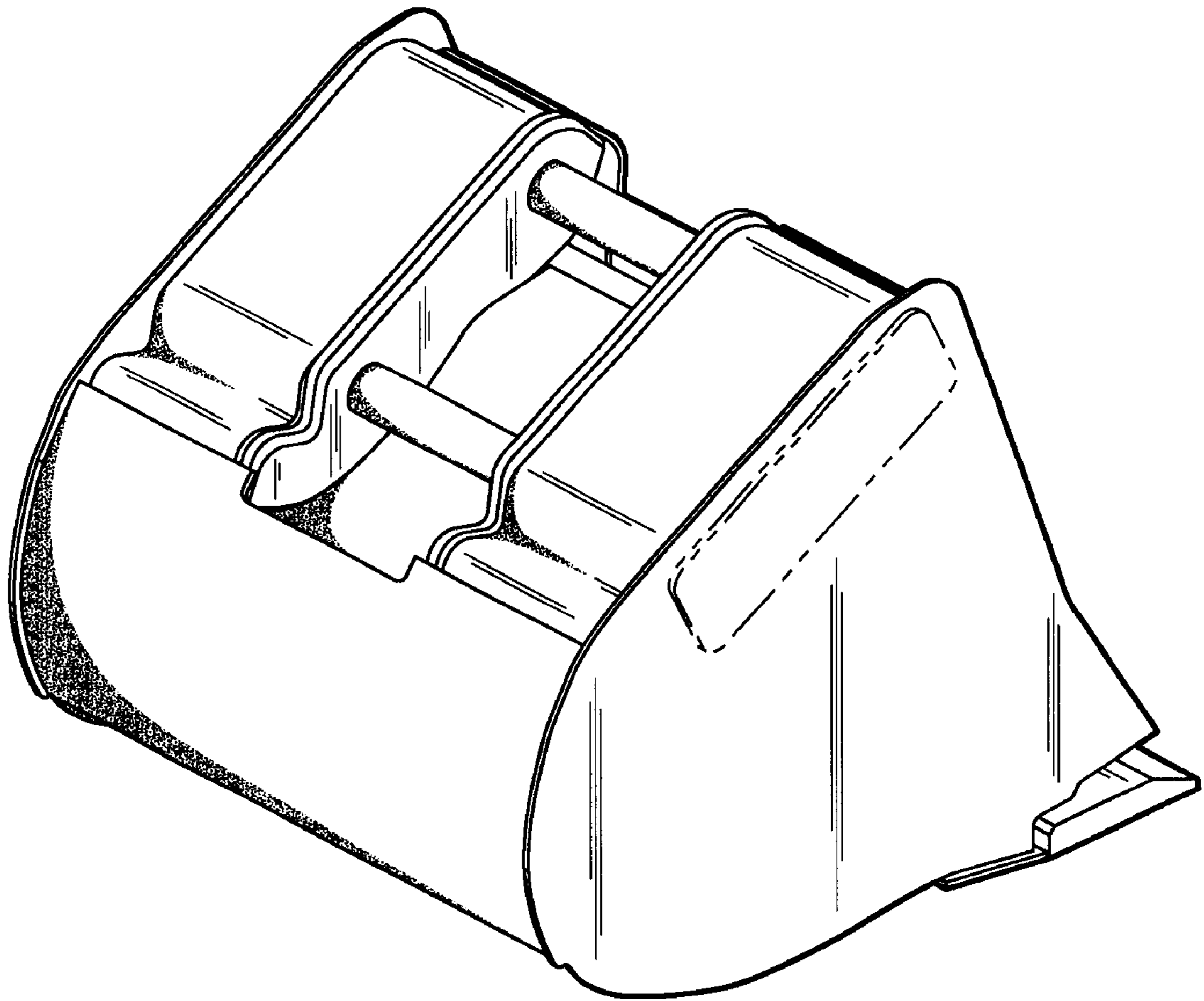


FIG. 3.

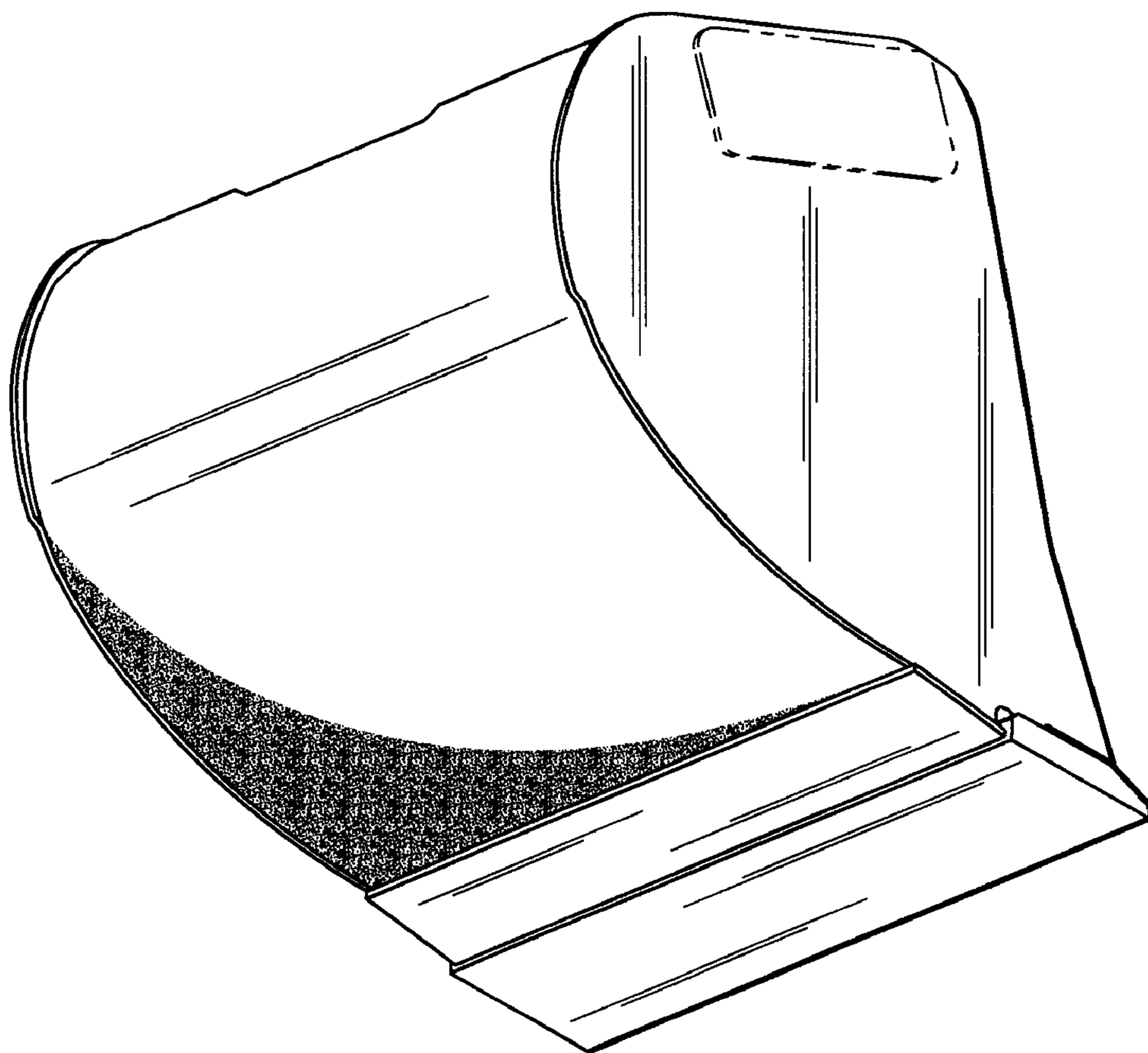


FIG. 4.

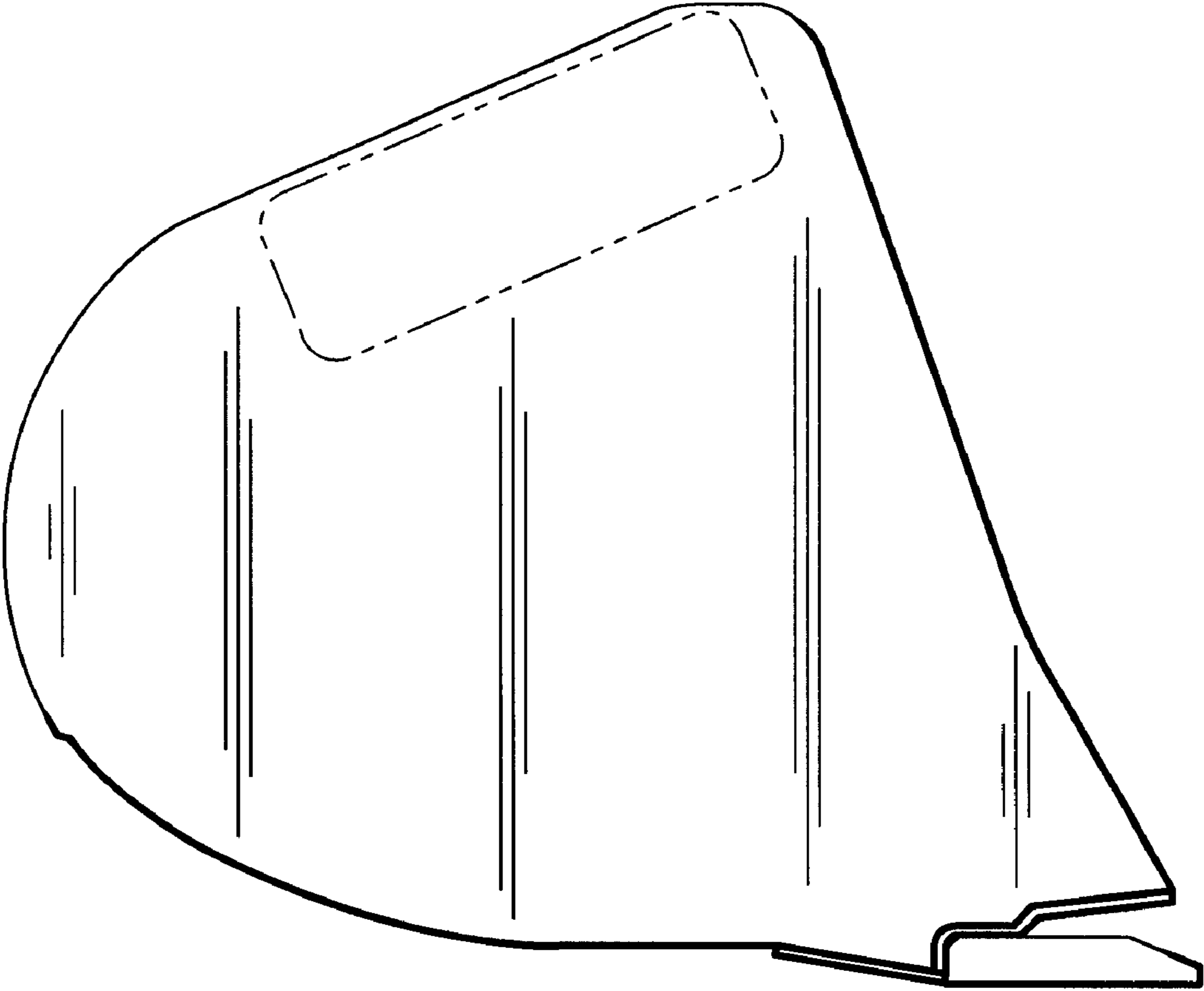


FIG. 5.

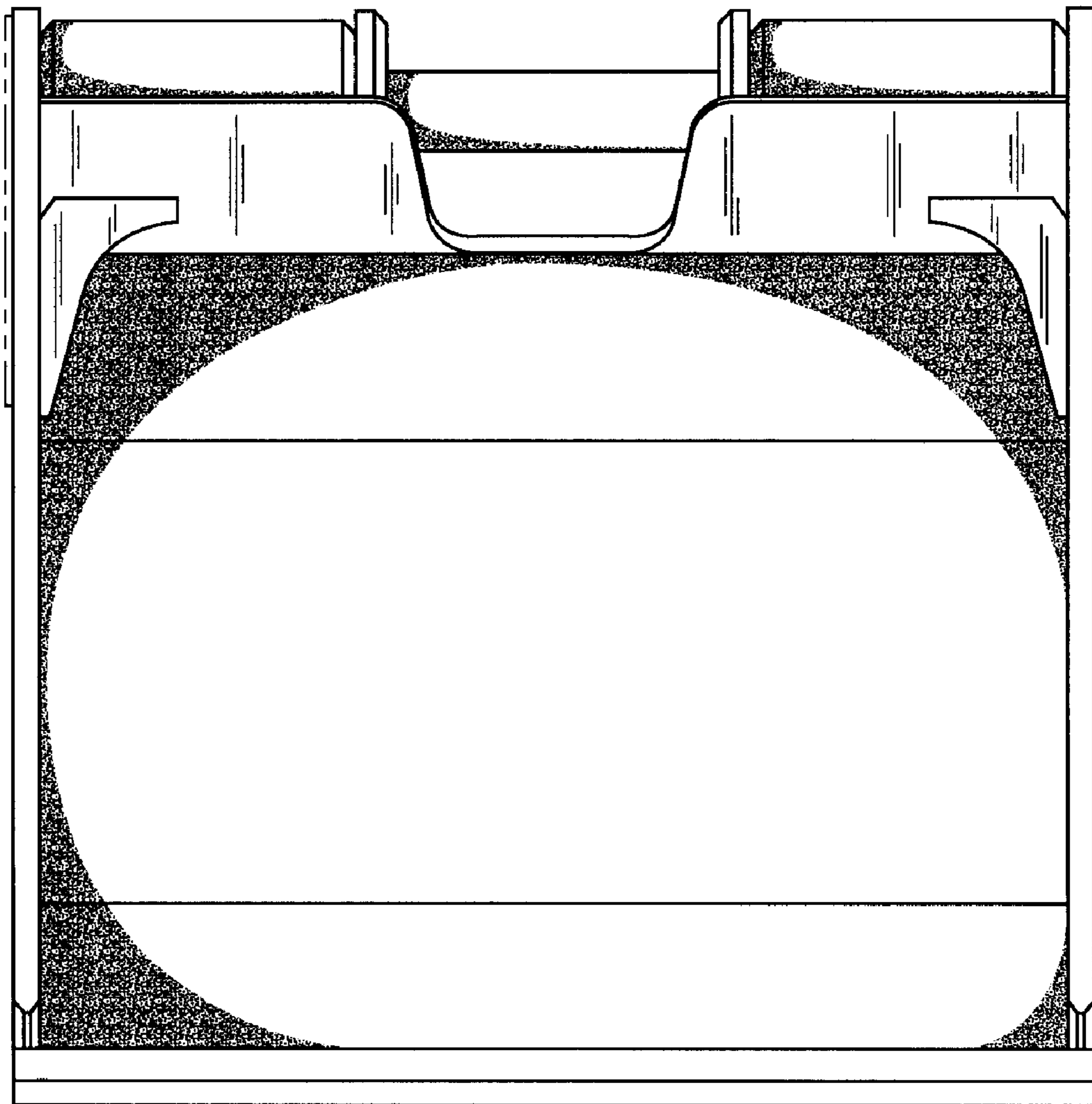


FIG. 6.

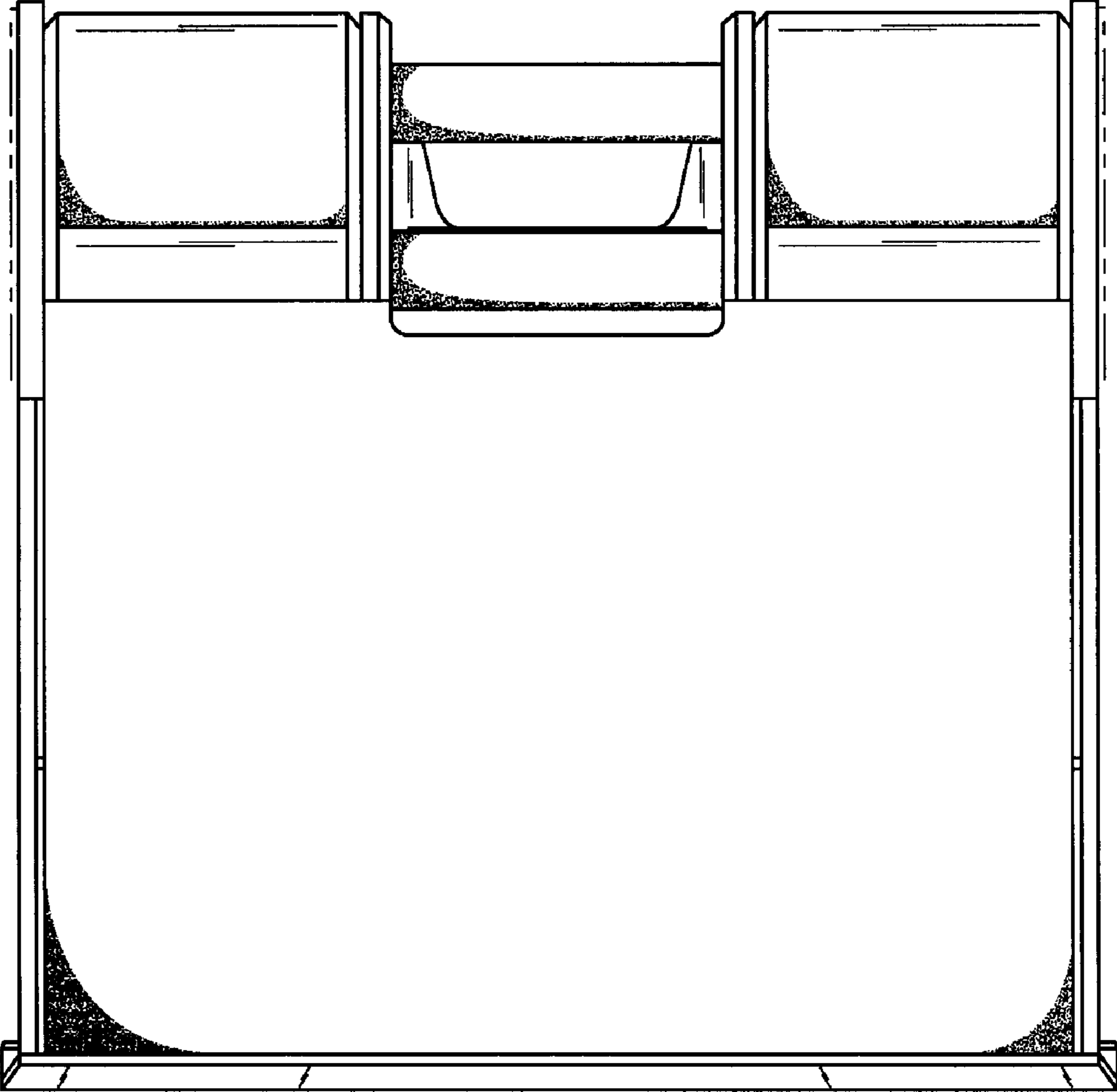


FIG. 7.

