



US00D524824S

(12) **United States Design Patent** (10) **Patent No.:** **US D524,824 S**  
**Shaffer et al.** (45) **Date of Patent:** **\*\* Jul. 11, 2006**

(54) **CONVERTIBLE YARD TOOL**

(75) Inventors: **Chadwick A. Shaffer**, Oakdale, MN (US); **David J. Martin**, Eden Prairie, MN (US)

(73) Assignee: **The Toro Company**, Bloomington, MN (US)

(\*\*) Term: **14 Years**

(21) Appl. No.: **29/216,067**

(22) Filed: **Oct. 27, 2004**

(51) **LOC (8) Cl.** ..... **15-03**

(52) **U.S. Cl.** ..... **D15/10; D15/12; D8/8**

(58) **Field of Classification Search** ..... D15/10-12; D8/8; 37/227, 244, 241, 242, 246, 259, 260, 37/252, 256; 30/296.1, 276  
 See application file for complete search history.

D324,524 S \* 3/1992 Beihoffer ..... D15/11  
 D326,457 S \* 5/1992 Pink et al. .... D15/11  
 5,161,318 A 11/1992 Bergman et al.  
 5,269,082 A 12/1993 Sund et al.  
 5,398,431 A 3/1995 Beihoffer et al.  
 5,522,162 A 6/1996 Allison  
 5,553,406 A 9/1996 Cerny  
 5,560,108 A 10/1996 Wilson  
 5,603,173 A 2/1997 Brazell  
 D380,129 S 6/1997 Meisner et al.  
 D382,450 S 8/1997 Meisner et al.  
 D382,778 S 8/1997 Meisner et al.  
 5,662,428 A 9/1997 Wilson  
 5,771,582 A 6/1998 Tuggle  
 5,867,911 A 2/1999 Yates et al.  
 D406,225 S 3/1999 Searle et al.

(Continued)

*Primary Examiner*—Stella Reid  
*Assistant Examiner*—Mark Goodwin  
 (74) *Attorney, Agent, or Firm*—Fulbright & Jaworski L.L.P.

(57) **CLAIM**

The ornamental design for a convertible yard tool, as shown and described.

**DESCRIPTION**

FIG. 1 is a perspective view of a convertible yard tool showing our new design;  
 FIG. 2 is a front elevational view thereof;  
 FIG. 3 is a right side elevational view thereof;  
 FIG. 4 is a left side elevational view thereof;  
 FIG. 5 is a back elevational view thereof;  
 FIG. 6 is a top plan view thereof; and,  
 FIG. 7 is a bottom plan view thereof.

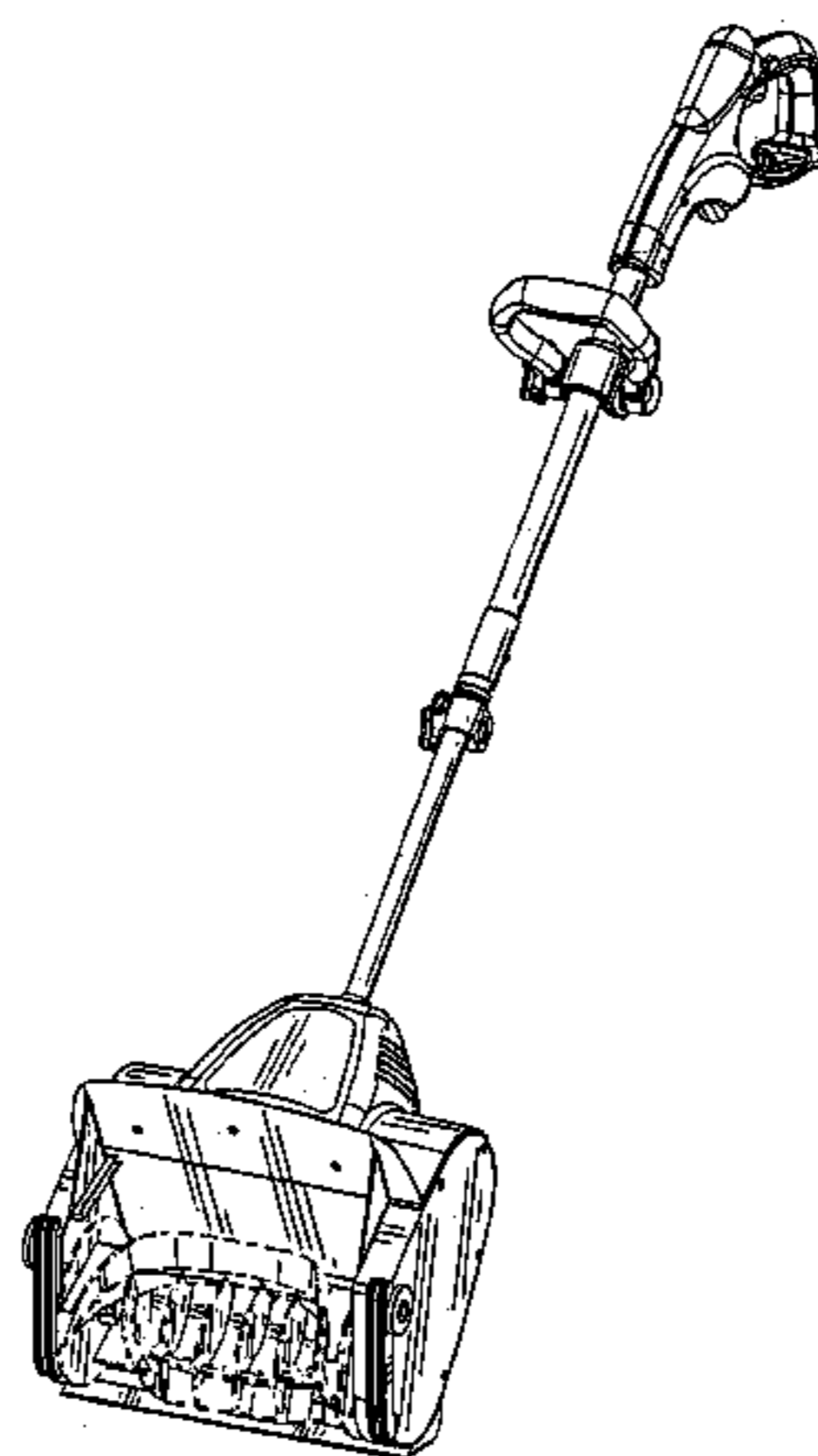
It should be understood that the labels used herein for describing orientation (e.g., front, rear, top, bottom, right and left) are merely for reference, and the design may be disposed in any manner and still be within the scope of the present invention.

The broken line showing of the snow throwing impeller is for illustrative purposes only and forms no part of the claimed design.

**1 Claim, 7 Drawing Sheets**

(56) **References Cited**  
 U.S. PATENT DOCUMENTS

3,221,481 A	12/1965	Mattson et al.	
3,330,102 A	7/1967	Schuman, Jr.	
3,341,235 A	9/1967	Mattson et al.	
3,350,864 A	11/1967	Sheps et al.	
3,561,199 A	2/1971	Lay	
3,627,054 A	12/1971	Lay	
4,190,972 A	3/1980	Berner	
4,255,880 A	3/1981	McMickle et al.	
D260,898 S	* 9/1981	Chieda et al.	D15/12
4,295,285 A	10/1981	Stevens	
D262,797 S	* 1/1982	Arthur et al.	D15/12
4,325,195 A	* 4/1982	Comer	37/227
4,329,792 A	5/1982	Berner	
D266,427 S	* 10/1982	McMickle et al.	D15/12
D267,953 S	* 2/1983	Berner	D15/12
4,378,644 A	4/1983	Tuggle et al.	
4,397,088 A	* 8/1983	Hampel	30/296.1
D272,742 S	* 2/1984	Hoshino	D15/11
4,505,040 A	3/1985	Everts	
D278,537 S	* 4/1985	Krapowicz et al.	D15/12
4,894,914 A	1/1990	Mead	
D320,993 S	* 10/1991	Pink et al.	D15/12



# US D524,824 S

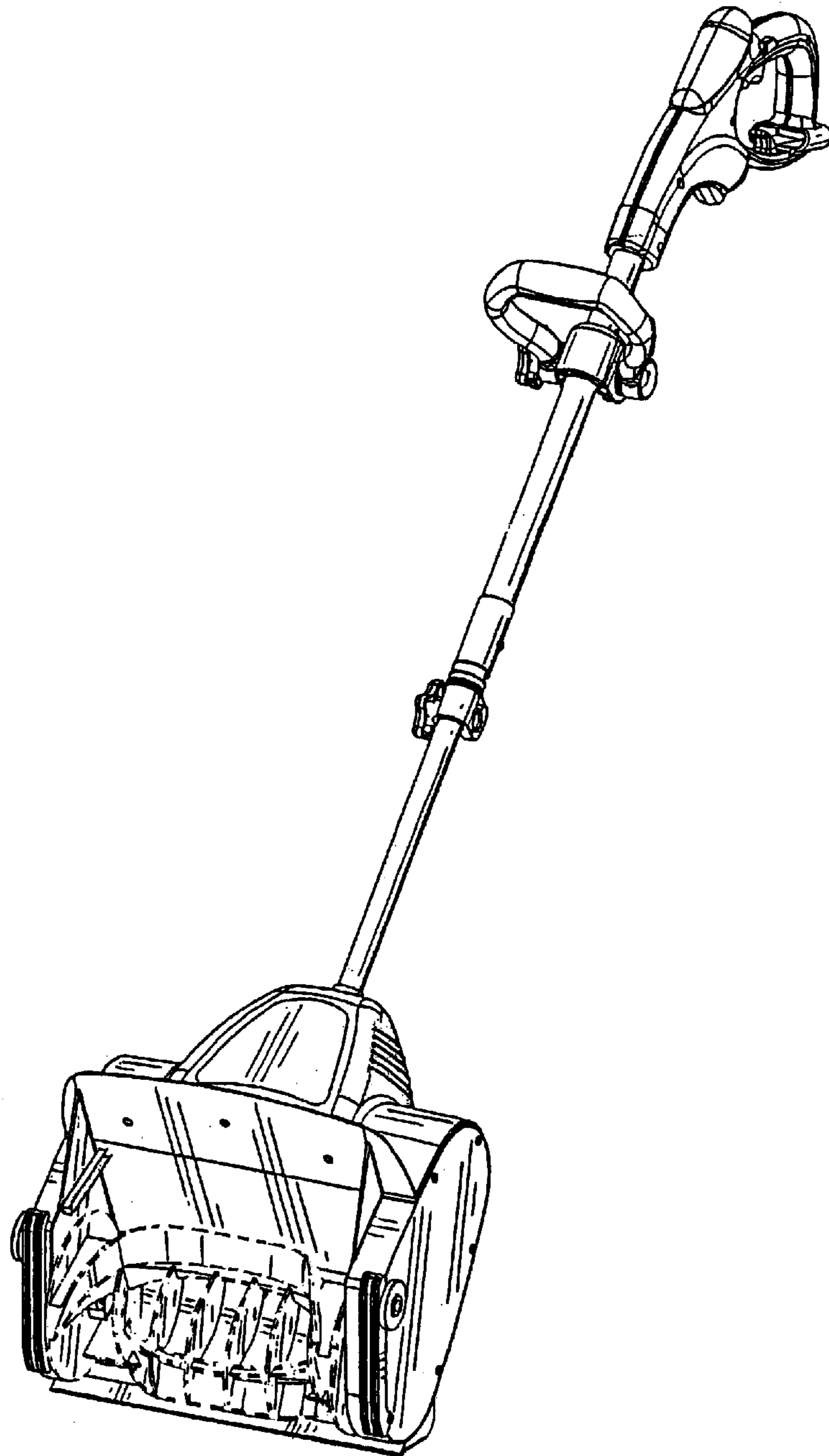
Page 2

---

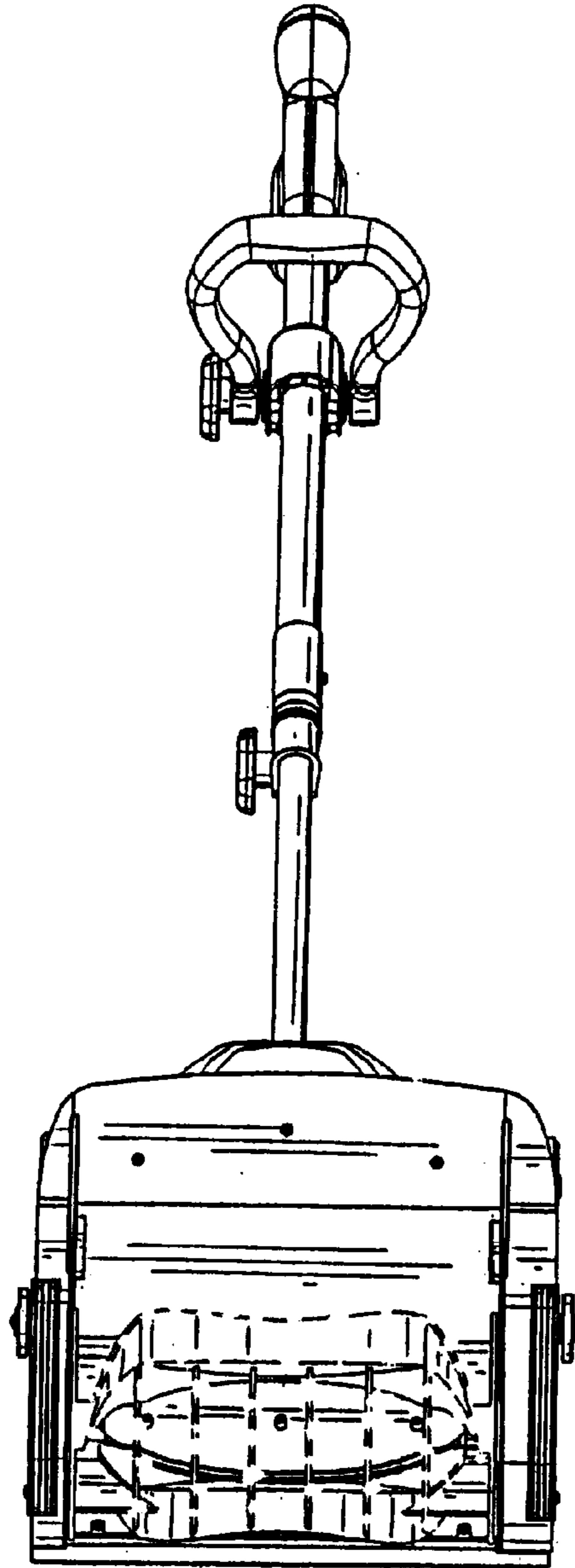
## U.S. PATENT DOCUMENTS

5,933,966 A	8/1999	Yates et al.	D473,114 S	4/2003	Van Wambeke et al.
6,076,265 A	6/2000	Huang Lo	D473,115 S	4/2003	Vam Wambeke et al.
6,182,383 B1	2/2001	Reed, Jr.	6,581,246 B1	6/2003	Polette
D440,131 S	4/2001	Aglassinger et al.	D479,676 S	9/2003	Vam Wambeke et al.
6,301,866 B1	10/2001	Marshall et al.	D479,677 S	9/2003	Vam Wambeke et al.
D450,226 S	11/2001	Martin	D479,962 S	9/2003	Vam Wambeke et al.
6,327,781 B1	12/2001	Sinclair et al.	6,643,958 B1	11/2003	Krejci
D457,403 S	5/2002	Cooper	6,643,959 B1	11/2003	Jolliff et al.
6,439,088 B1	8/2002	Eytchison et al.	D483,236 S	12/2003	Martin et al.
6,516,598 B1	2/2003	Notaras et al.			

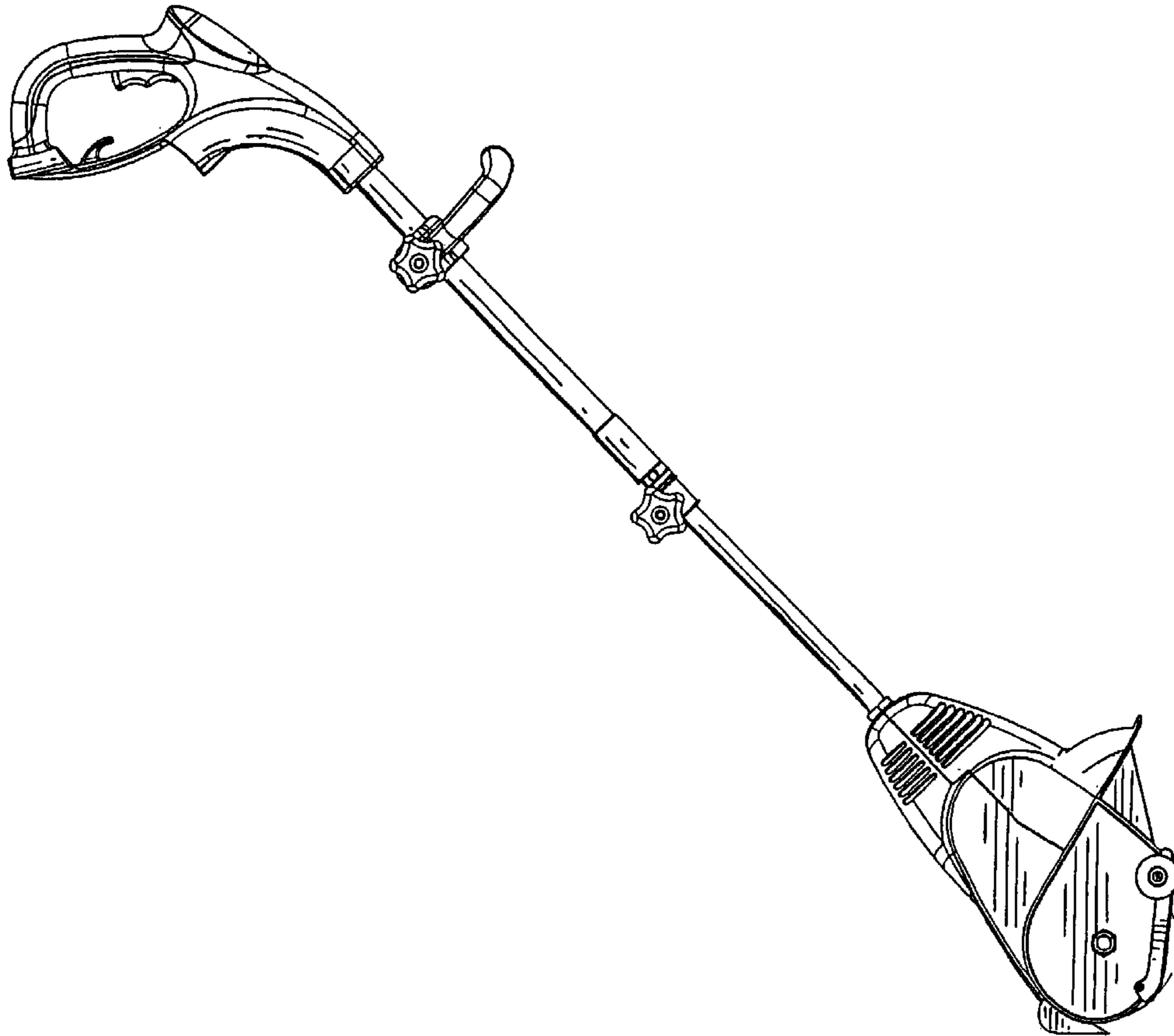
\* cited by examiner



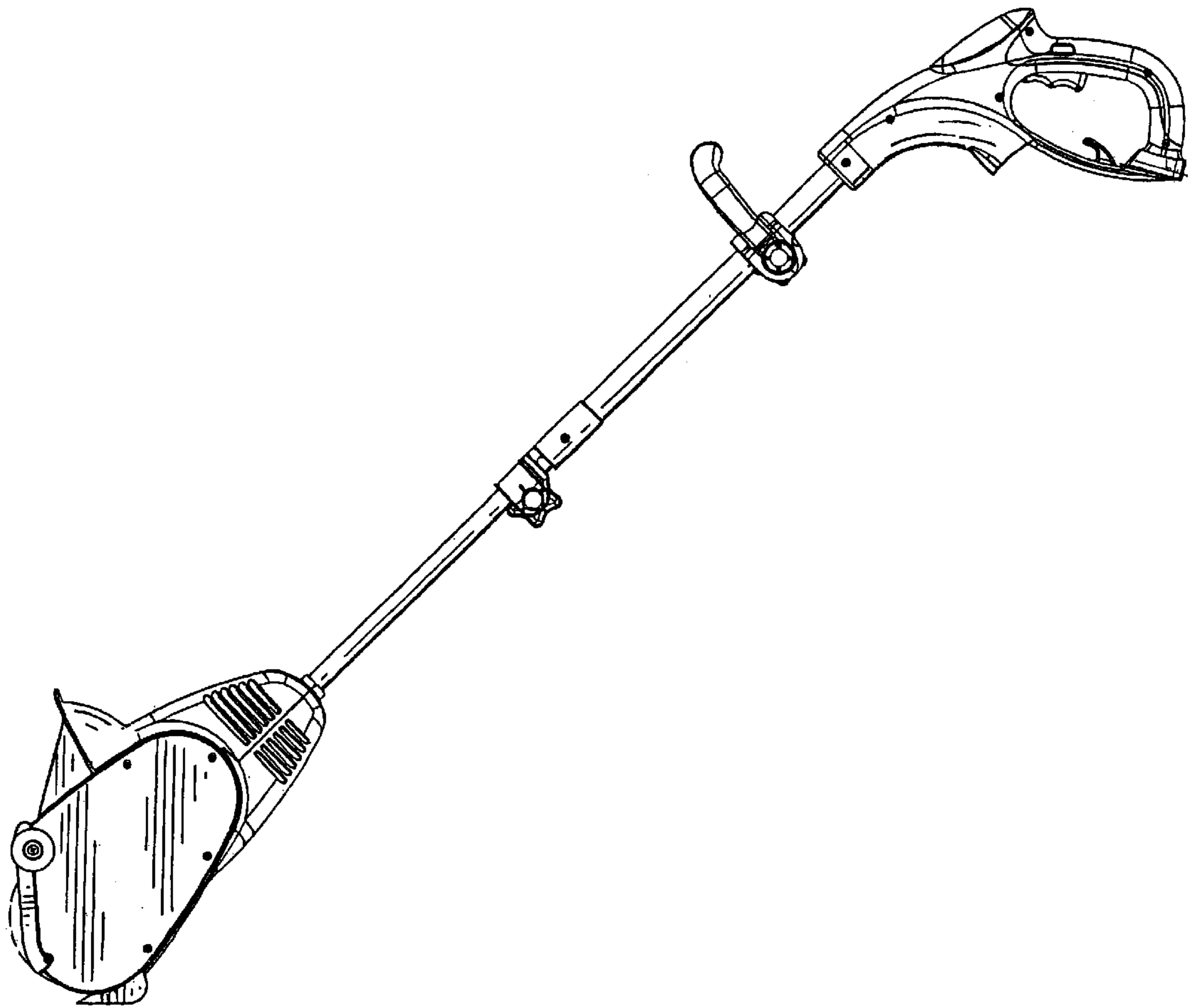
*FIG. 1*



*FIG. 2*

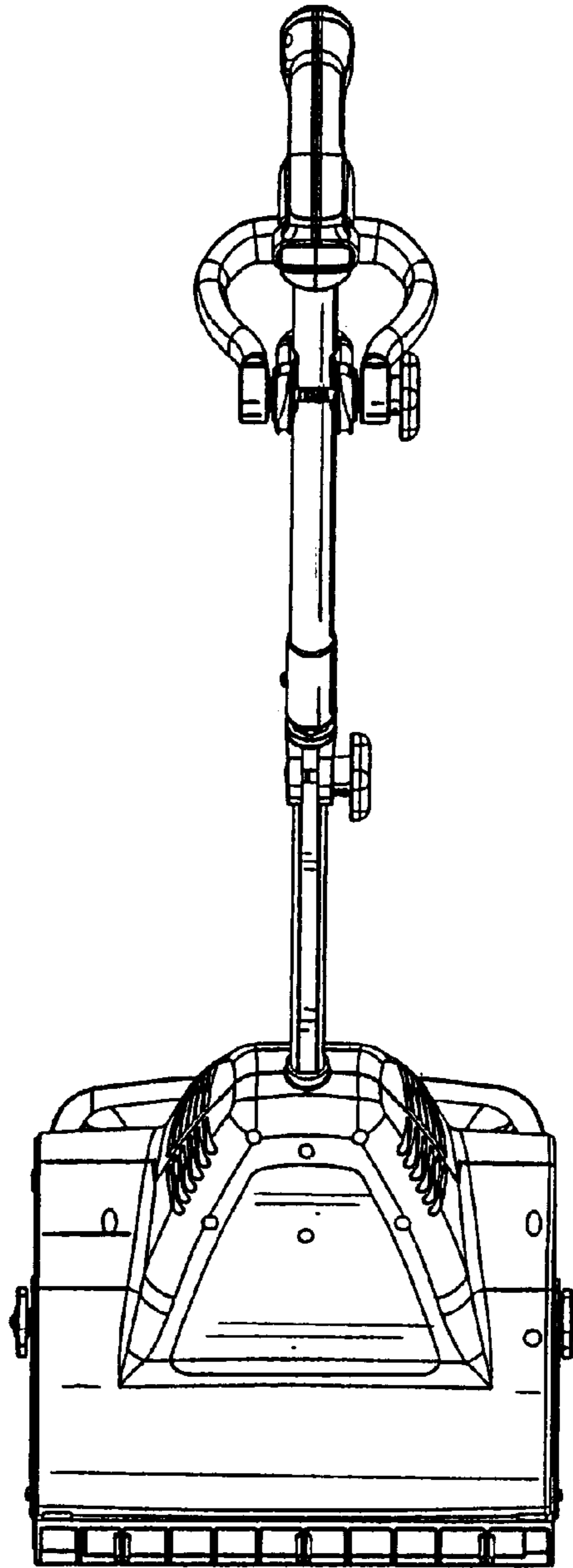


*FIG. 3*

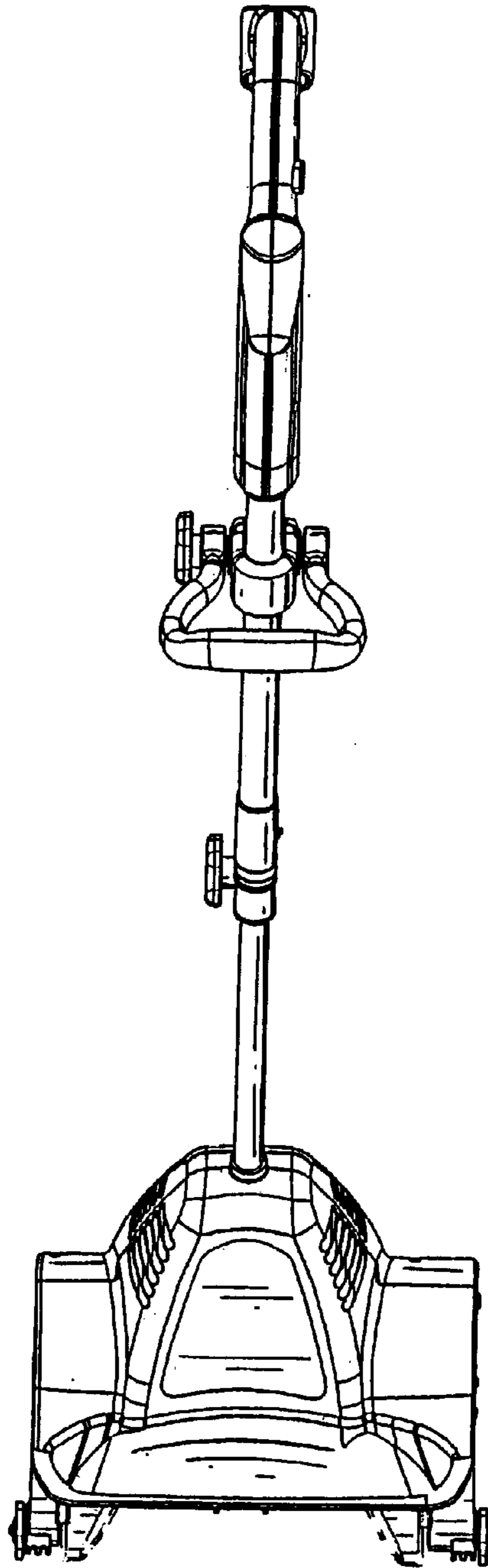


*FIG. 4*



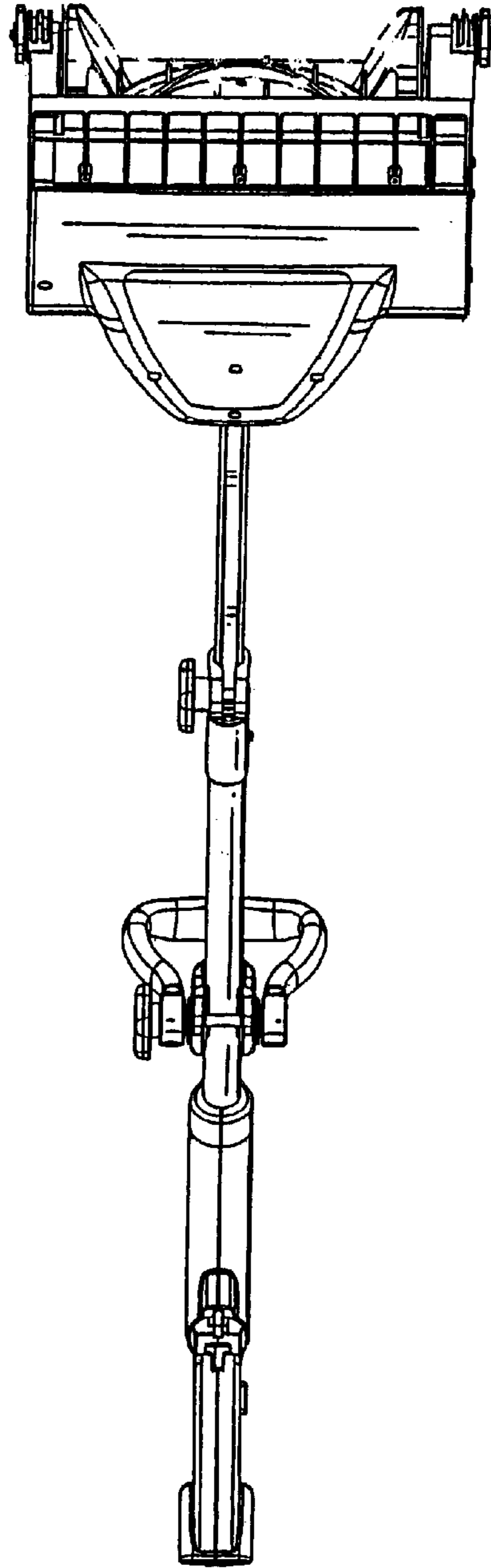


*FIG. 5*



*FIG. 6*





*FIG. 7*