



US00D524823S

(12) **United States Design Patent**
Garrison

(10) **Patent No.:** **US D524,823 S**
(45) **Date of Patent:** **** Jul. 11, 2006**

(54) **MOTORCYCLE ROCKER BOX AND CYLINDER HEAD**

DESCRIPTION

(76) Inventor: **John Michael Garrison**, 9530 N. Moore Rd., Littleton, CO (US) 80125

(**) Term: **14 Years**

(21) Appl. No.: **29/222,378**

(22) Filed: **Jan. 27, 2005**

(51) **LOC (8) Cl.** **15-01**

(52) **U.S. Cl.** **D15/5**

(58) **Field of Classification Search** D15/1, D15/3, 5; D12/110, 114, 126; 180/219; 280/288.4, 280/304.3; 123/54.4, 55.1, 197.3, 196 A, 123/196 R, 193.1–193.6, 41.74, 41.77, 90.38; 184/6, 8, 6.9

See application file for complete search history.

(56) **References Cited**

U.S. PATENT DOCUMENTS

2,051,313 A	8/1936	Olenick
2,401,480 A	6/1946	Halliday
3,556,061 A	1/1971	Schmidt et al.
3,942,490 A	3/1976	Scott
4,449,490 A	5/1984	Hansen
4,476,822 A	10/1984	Bonvallet
4,491,099 A	1/1985	Bonvallet
4,519,345 A	5/1985	Walter
4,655,177 A	4/1987	Wells et al.
4,703,729 A	11/1987	Sakano et al.

(Continued)

FOREIGN PATENT DOCUMENTS

WO WO-99/47793 9/1999

Primary Examiner—Alan P. Douglas

Assistant Examiner—Linda Brooks

(74) *Attorney, Agent, or Firm*—Sheridan Ross P.C.

(57) **CLAIM**

The ornamental design for a motorcycle rocker box and cylinder head, as shown and described.

FIG. 1 is a side perspective view of a motorcycle with the motorcycle rocker box and cylinder head, the broken lines showing environment for illustrative purposes only and forming no part of the claimed design;

FIG. 2 is an enlarged side perspective view of the motorcycle rocker box and cylinder head, showing my new design;

FIG. 3 is a top plan view of the invention illustrated in FIG. 2;

FIG. 4 is a front elevation view of the invention shown in FIG. 2;

FIG. 5 is a right elevation view of the invention illustrated in FIG. 2;

FIG. 6 is a bottom plan view of the invention illustrated in FIG. 2;

FIG. 7 is a rear elevation view of the invention illustrated in FIG. 2;

FIG. 8 is a left elevation view of the invention illustrated in FIG. 2;

FIG. 9 is a side perspective view of a motorcycle with a second embodiment of the motorcycle rocker box and cylinder head, the broken lines showing environment for illustrative purposes only and forming no part of the claimed design.;

FIG. 10 is an enlarged side perspective view of the motorcycle rocker box and cylinder head of FIG. 9, showing my new design;

FIG. 11 is a top plan view of the invention illustrated in FIG. 10;

FIG. 12 is a front elevation view of the invention shown in FIG. 10;

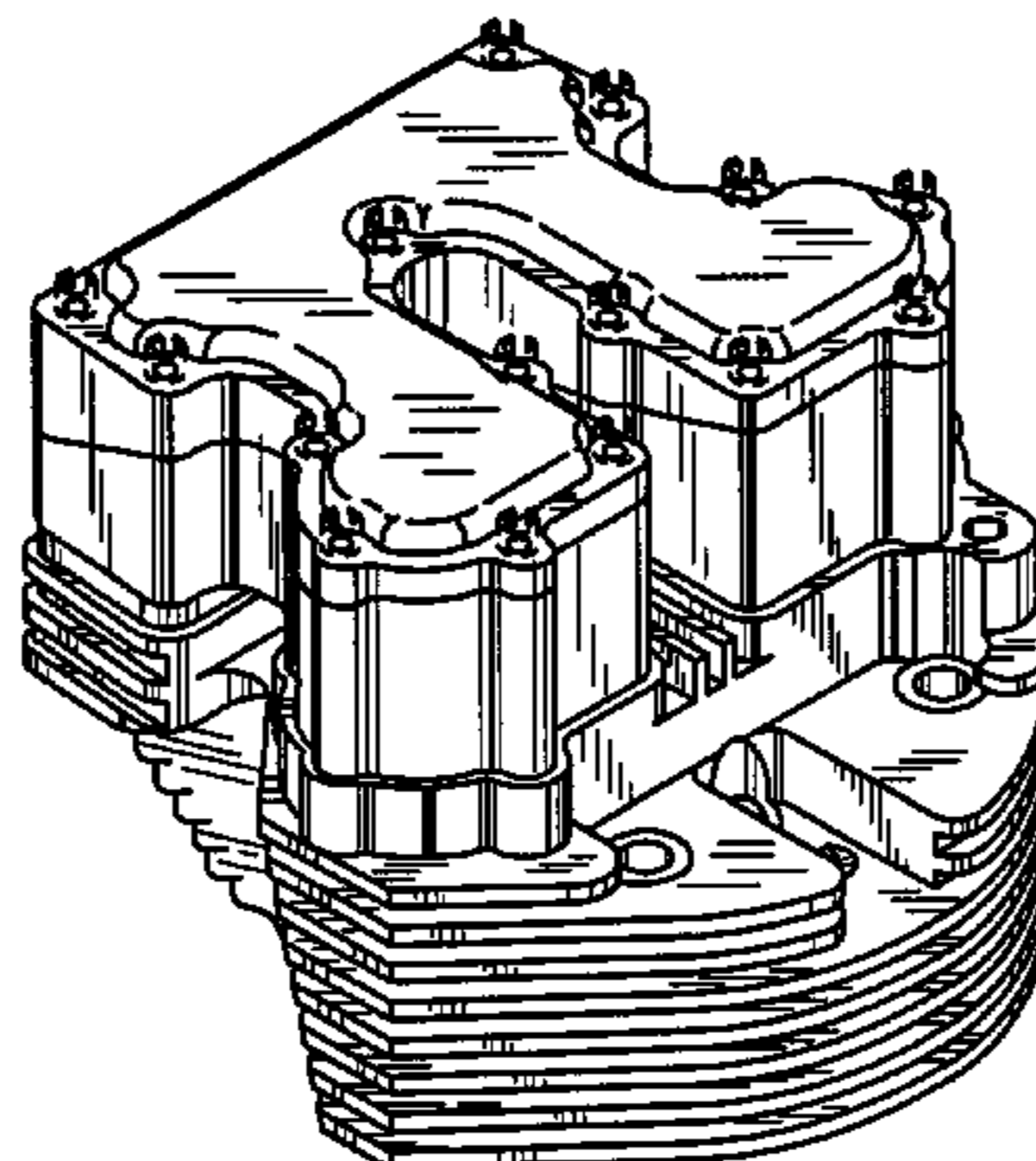
FIG. 13 is a right elevation view of the invention illustrated in FIG. 10;

FIG. 14 is a bottom plan view of the invention illustrated in FIG. 10;

FIG. 15 is a rear elevation view of the invention illustrated in FIG. 10; and,

FIG. 16 is a left elevation view of the invention illustrated in FIG. 10.

1 Claim, 4 Drawing Sheets



US D524,823 S

Page 2

U.S. PATENT DOCUMENTS

4,721,007 A	1/1988	Entzminger	5,437,209 A	8/1995	Santoro
4,782,798 A	11/1988	Jones	5,553,583 A	9/1996	Jones
4,799,464 A	1/1989	Patel et al.	5,560,265 A	10/1996	Miller
4,848,180 A	7/1989	Mills	5,570,665 A	11/1996	Regueiro
4,878,463 A	11/1989	Fredericksen et al.	5,596,958 A	1/1997	Miller
4,944,256 A	7/1990	Matayoshi et al.	5,617,818 A	4/1997	Lüders
4,998,513 A	3/1991	Gagnon	5,645,025 A	7/1997	Caya et al.
5,022,360 A	6/1991	Cholewczynski	5,706,769 A	1/1998	Shimizu
RE33,870 E	4/1992	Fittro et al.	5,884,593 A	3/1999	Immel et al.
5,101,778 A	4/1992	Fukuo et al.	5,970,932 A	10/1999	Richardson et al.
5,189,997 A	3/1993	Schneider	6,138,625 A	10/2000	Garrison
5,207,191 A	5/1993	Pryba et al.	6,237,554 B1	5/2001	Garrison
5,235,942 A	8/1993	Olmr	6,457,449 B1 *	10/2002	Troxler et al. 123/196 R
5,433,178 A	7/1995	Urmaza			

* cited by examiner

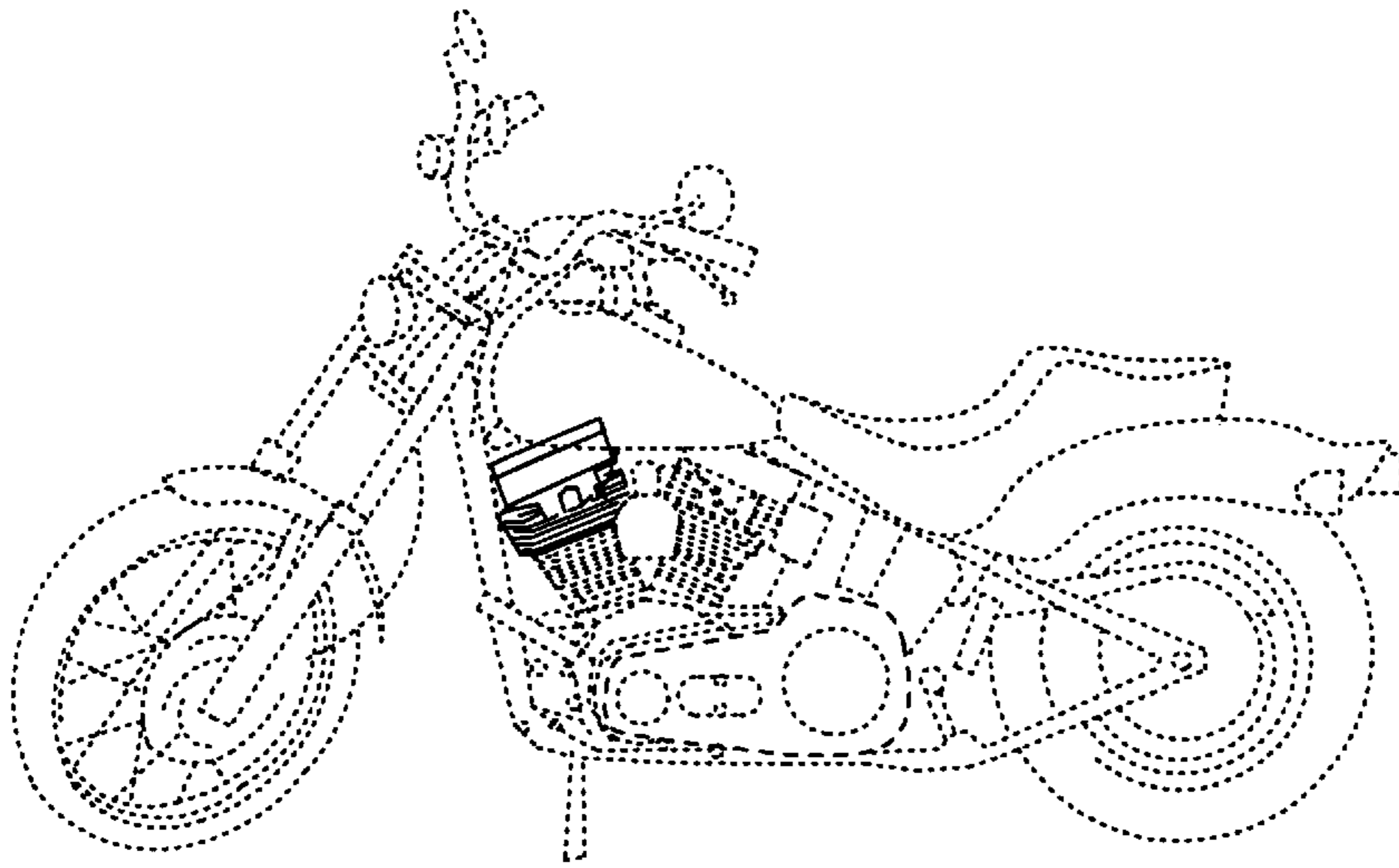


Fig. 1

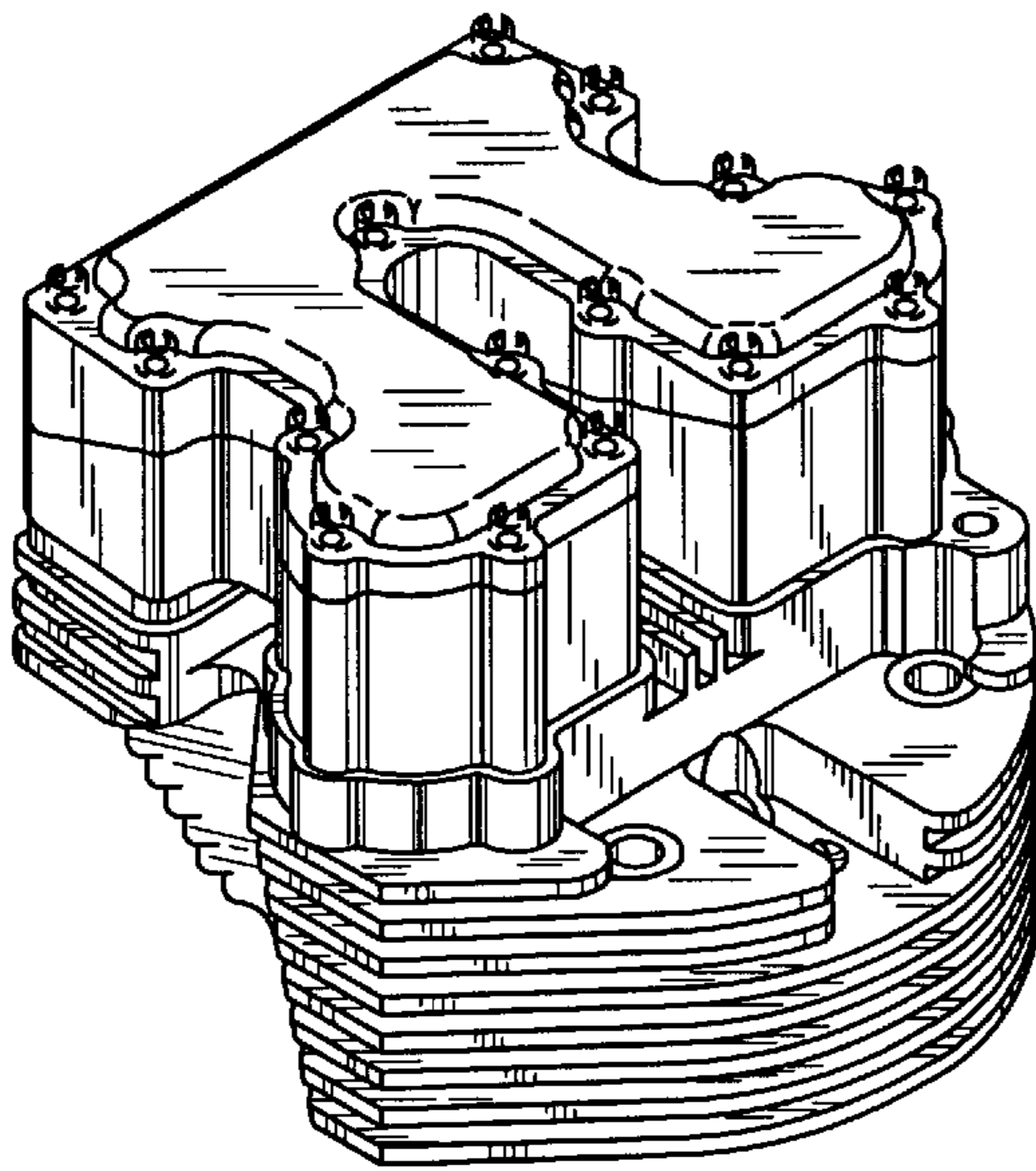


Fig. 2

Fig. 3

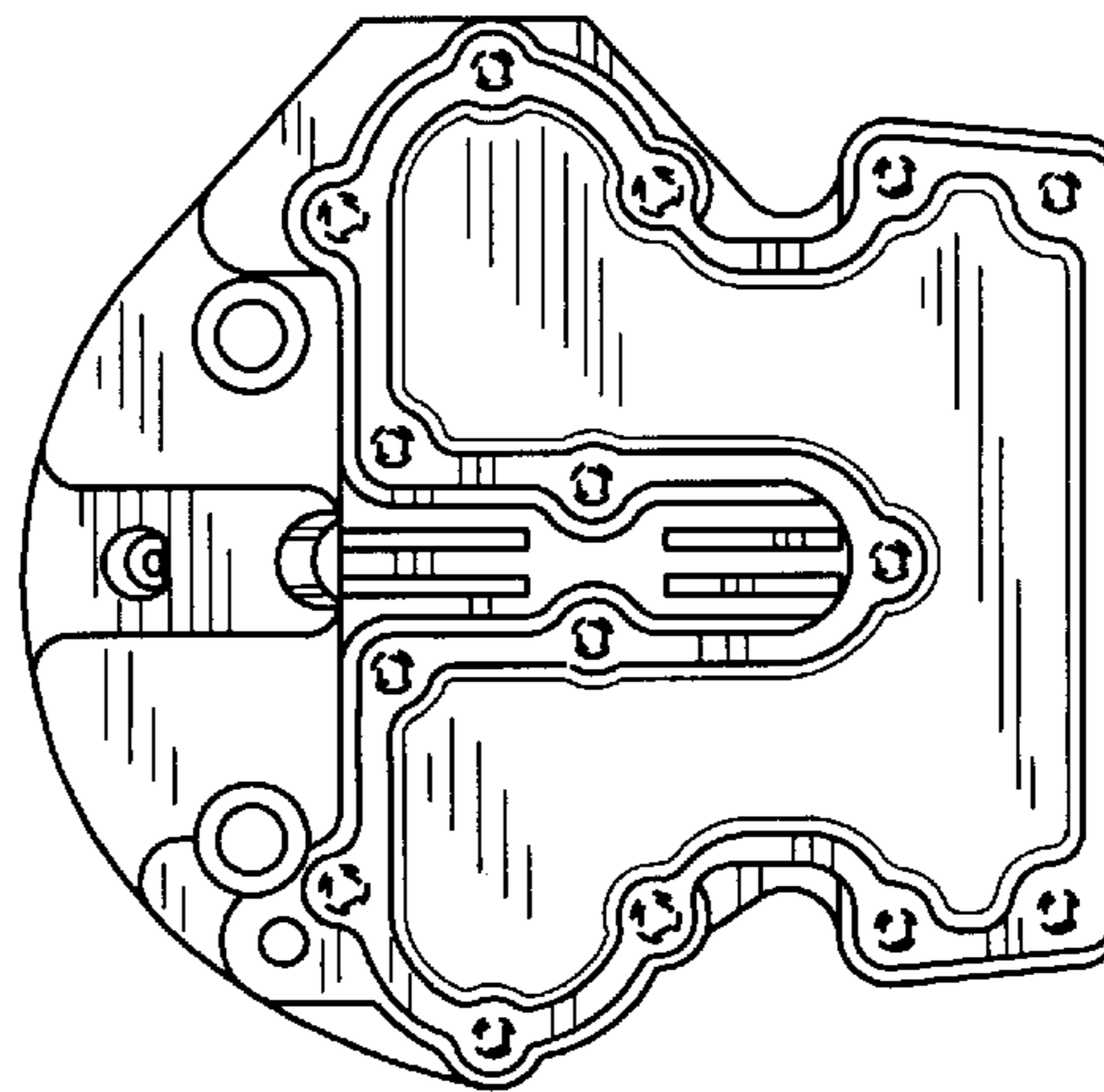


Fig. 4

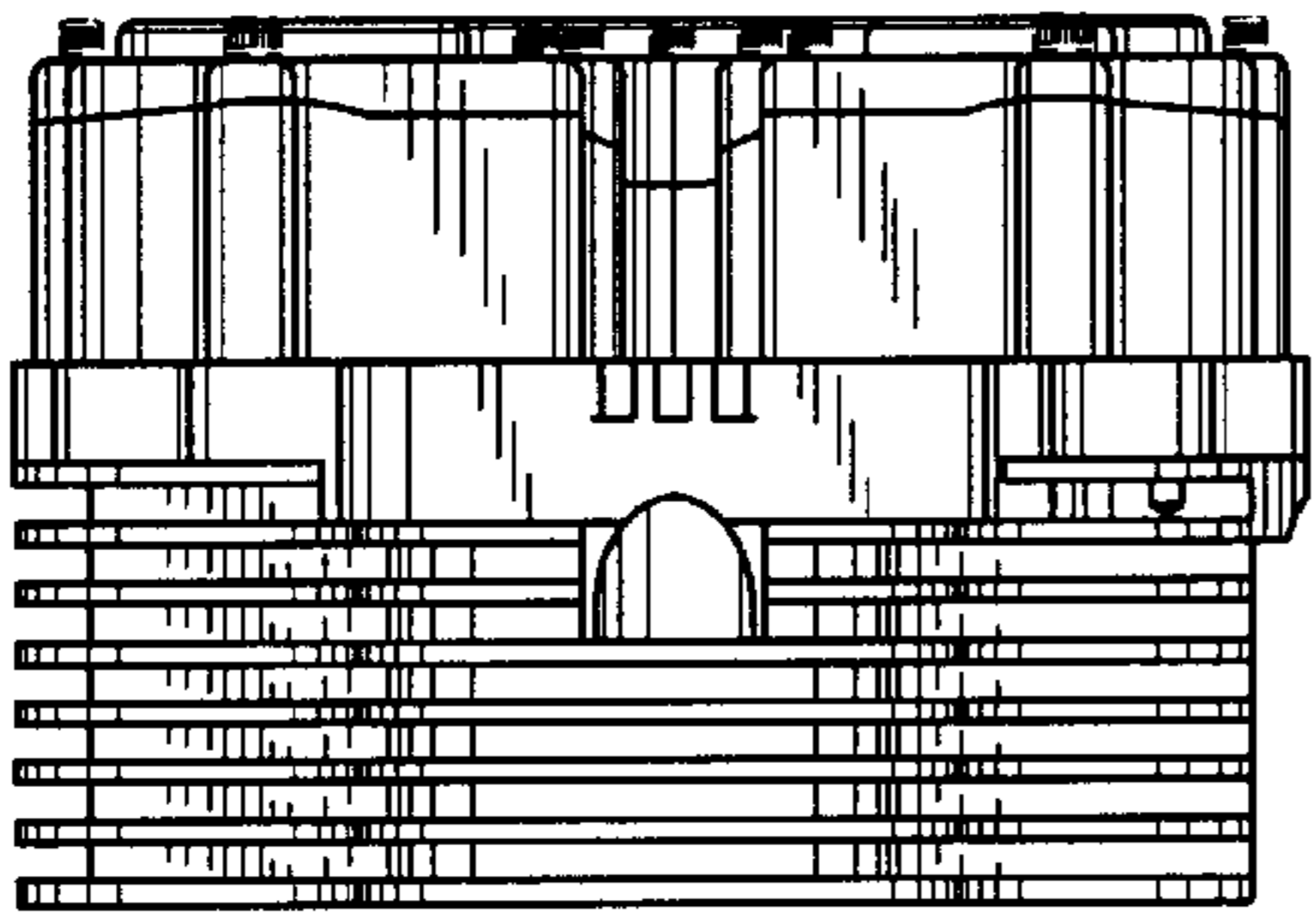


Fig. 5

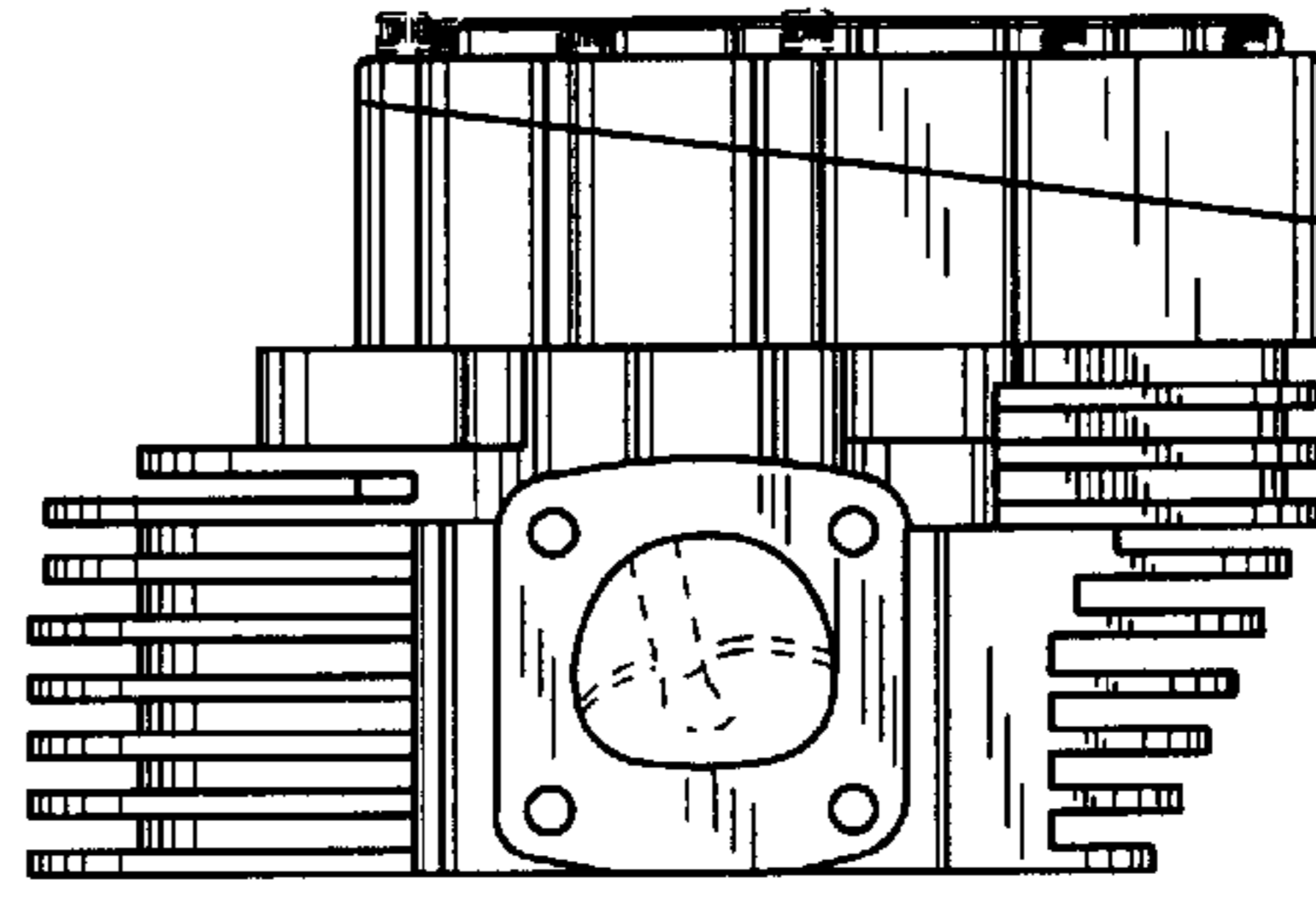


Fig. 6

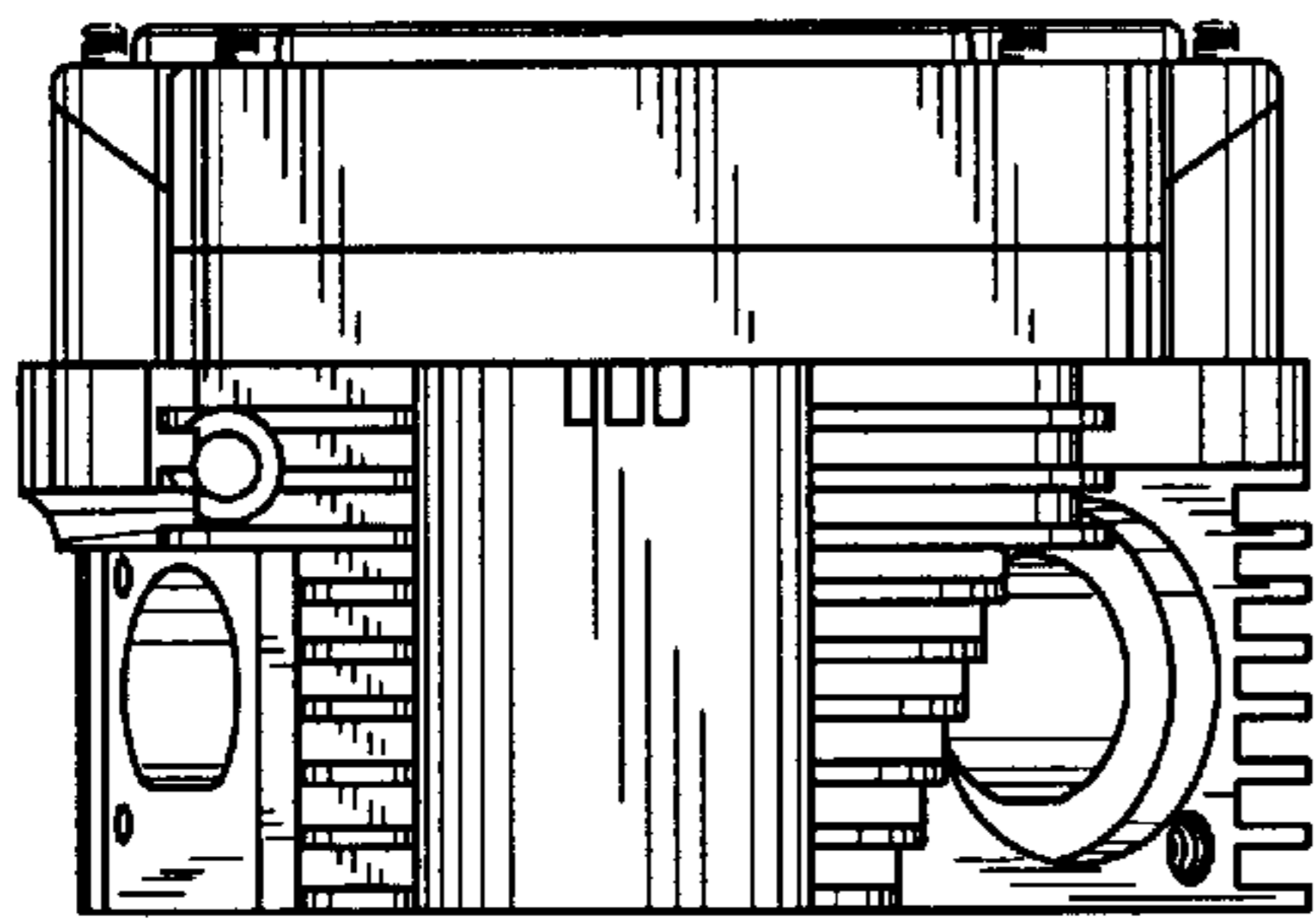
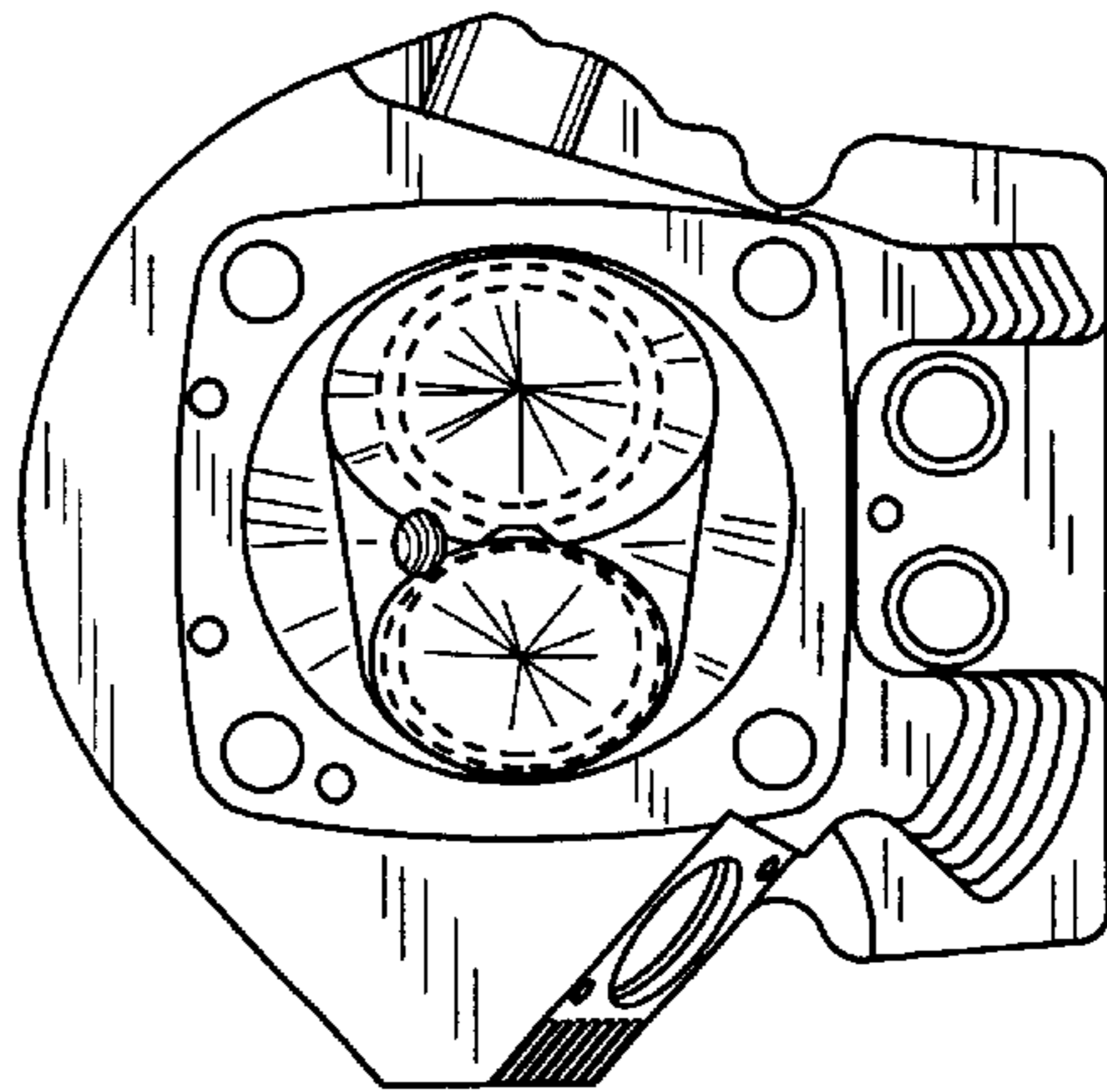


Fig. 7

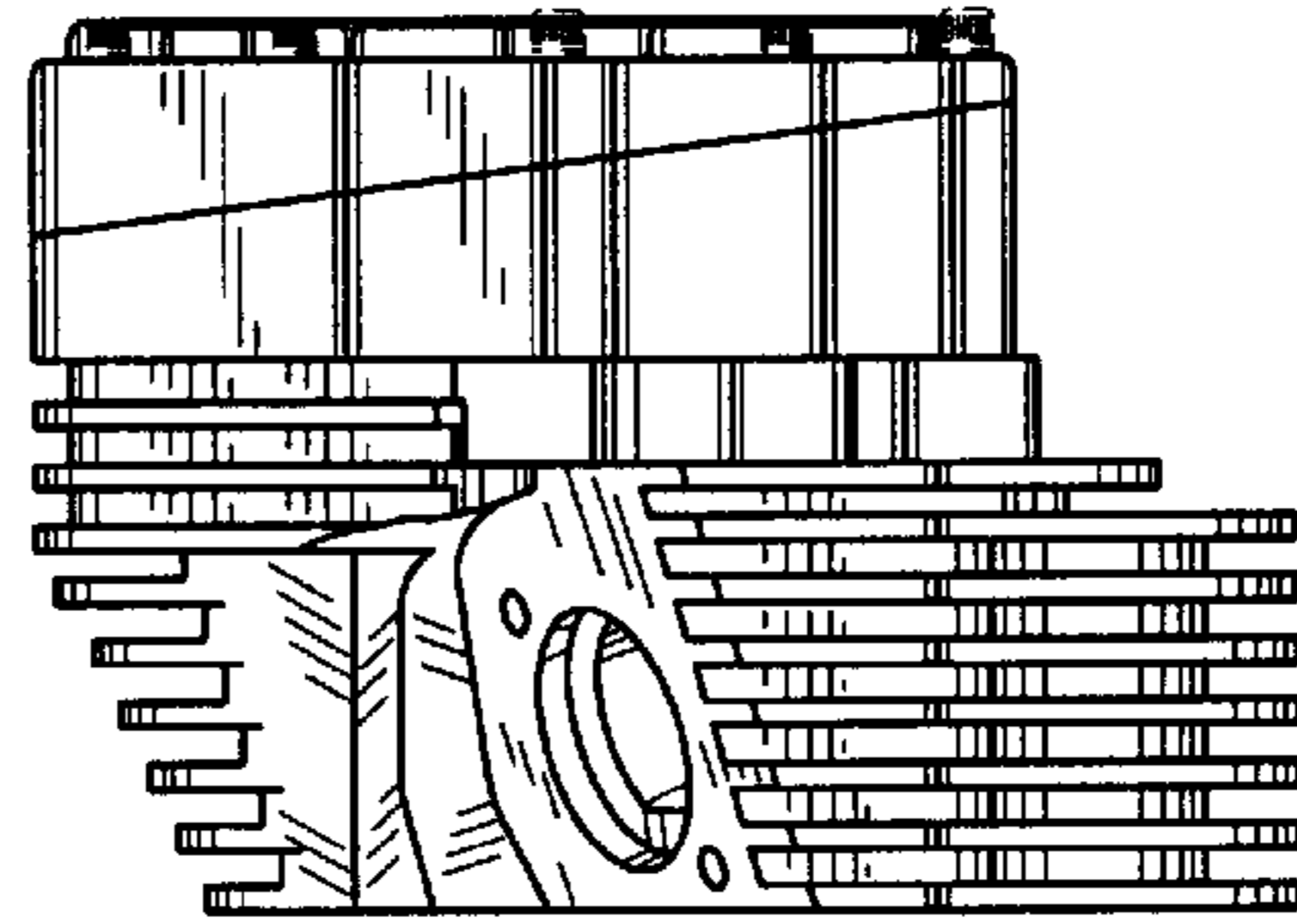


Fig. 8

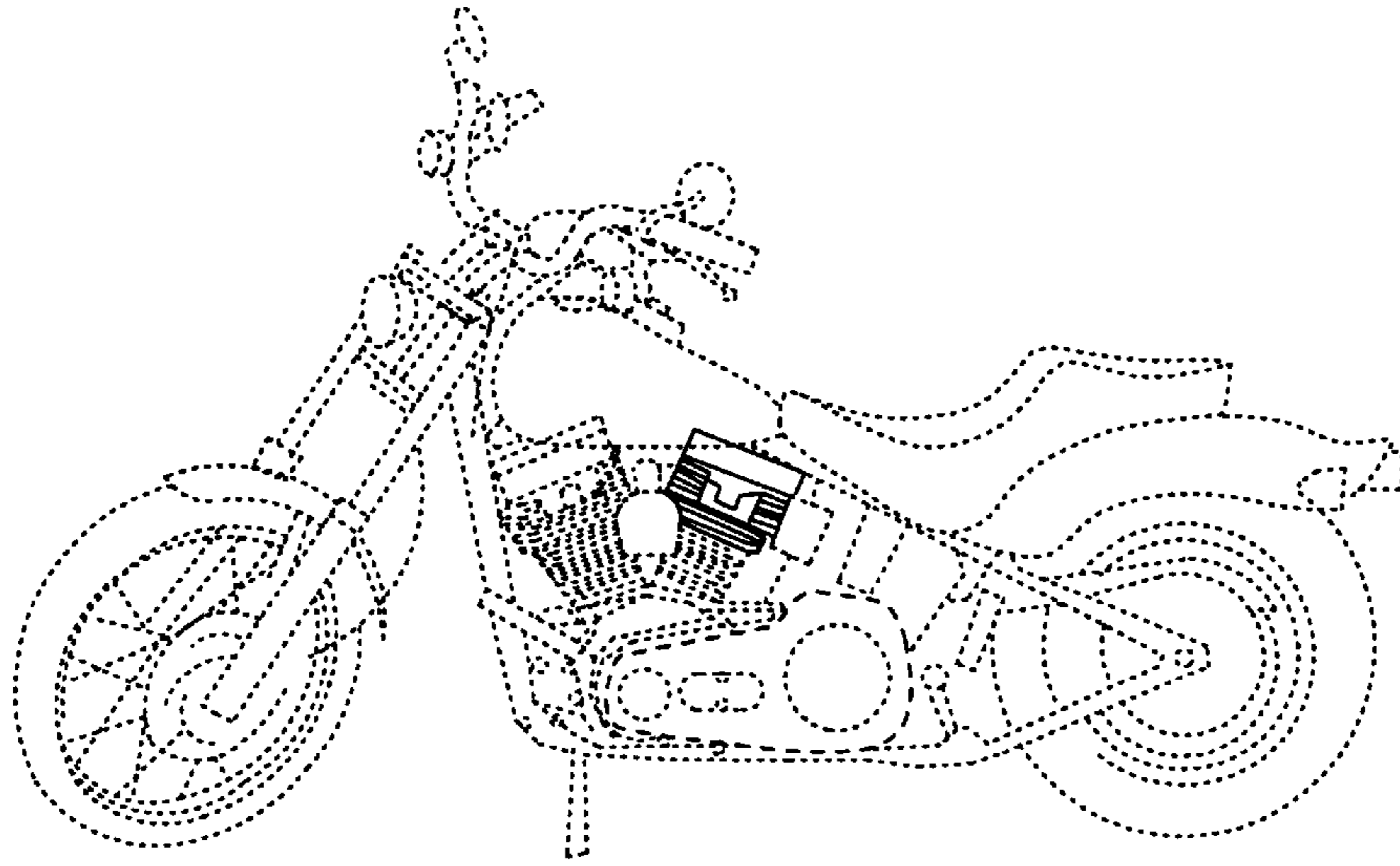


Fig. 9

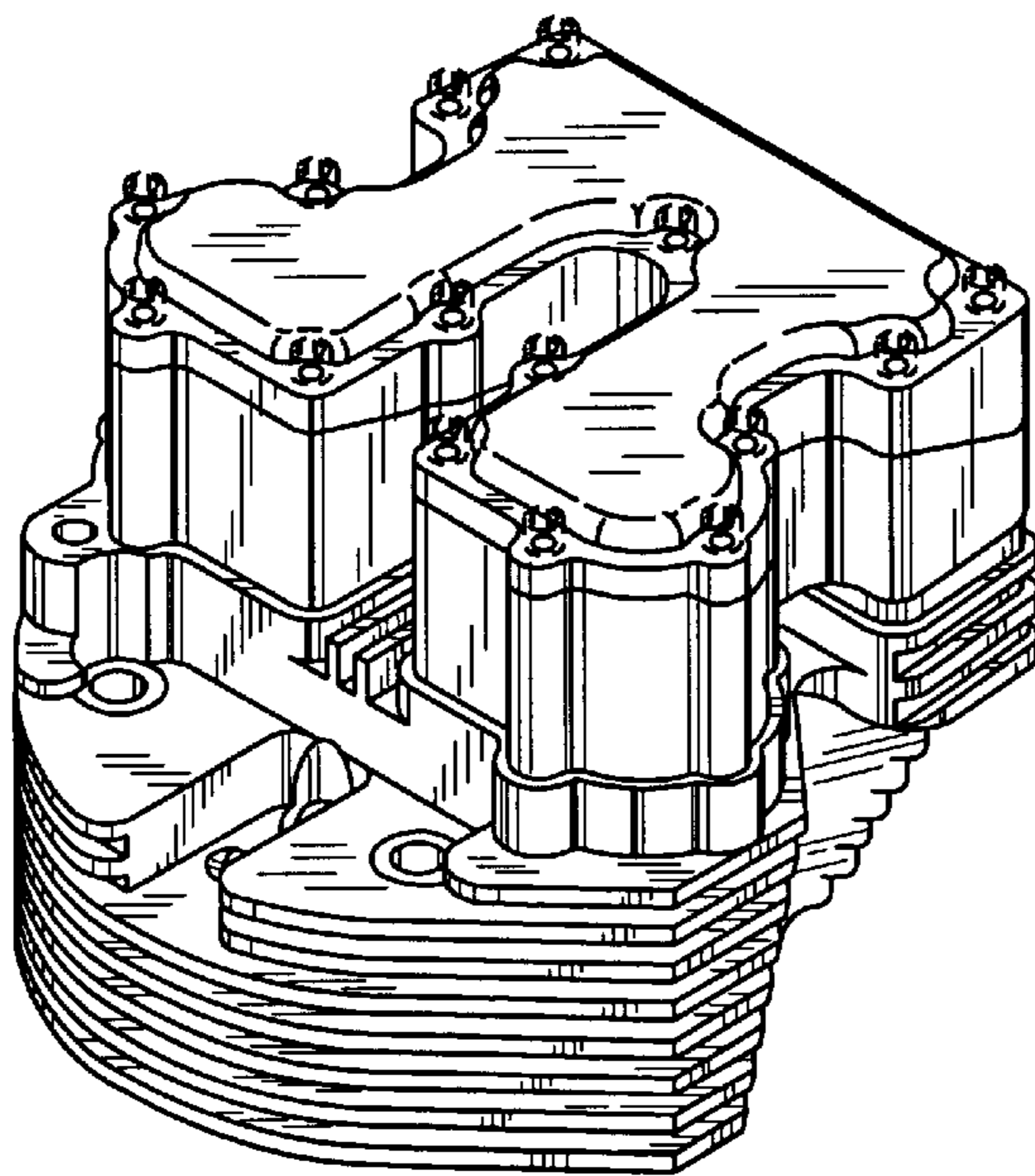


Fig. 10

Fig. 11

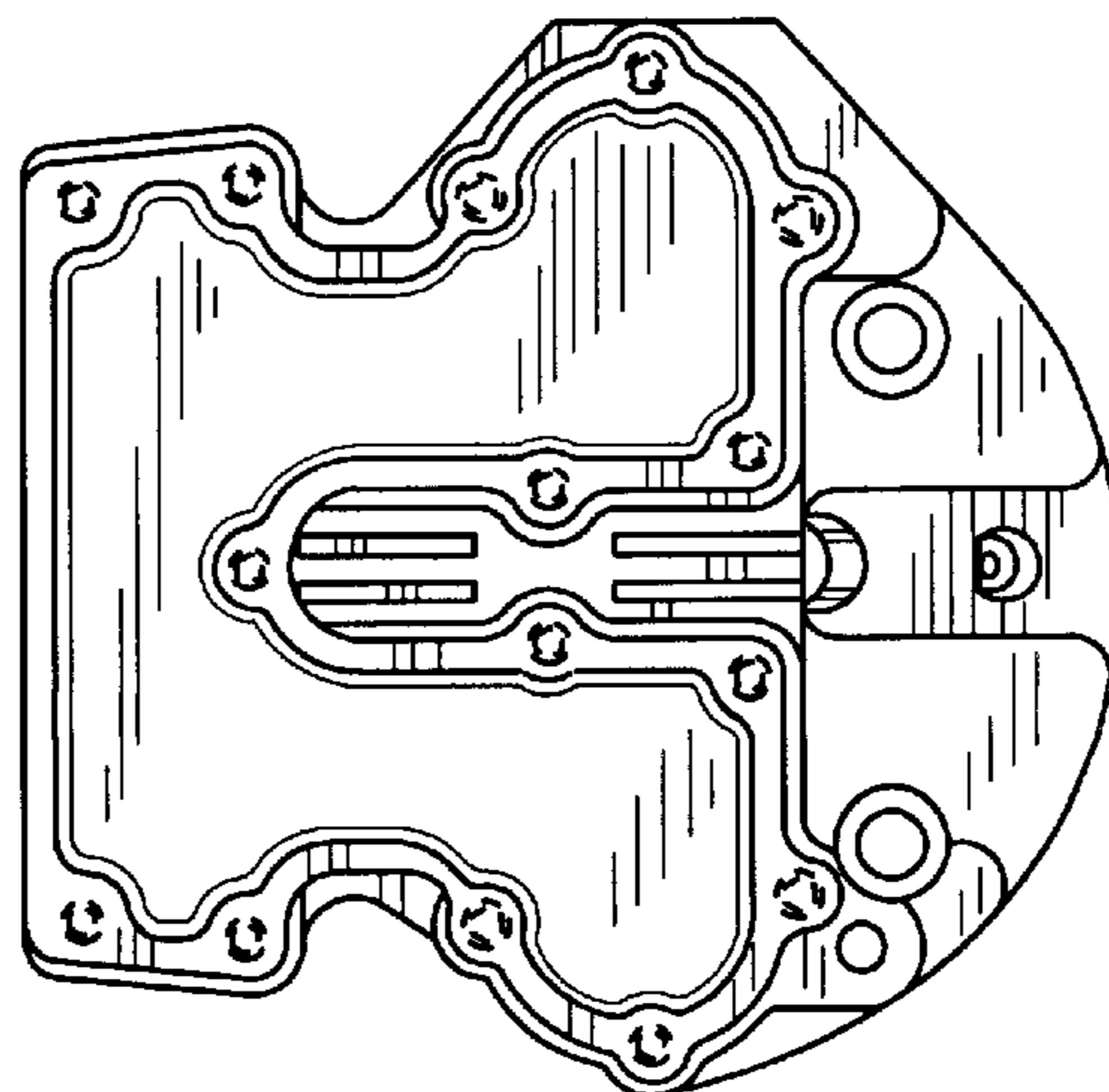


Fig. 12

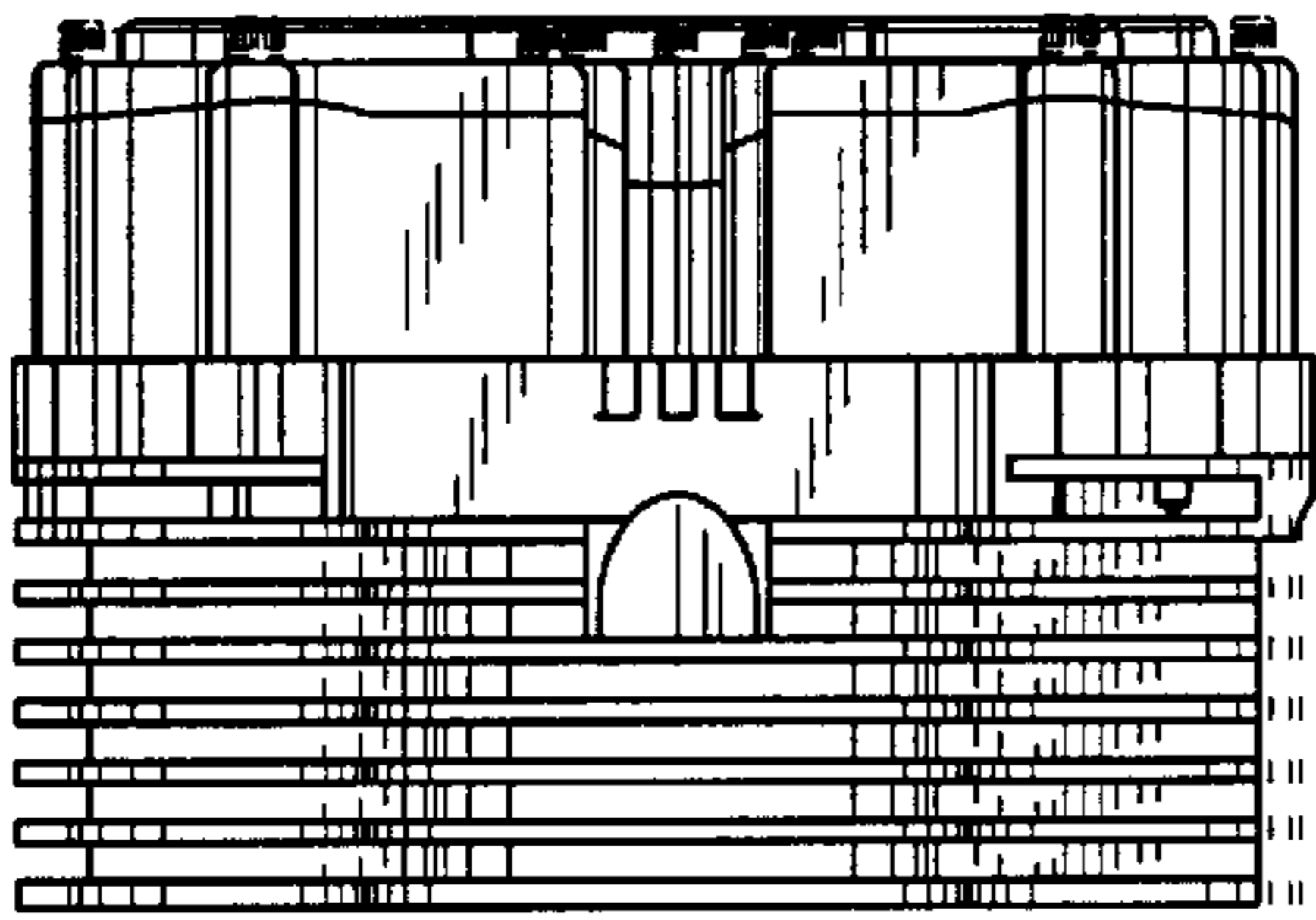


Fig. 13

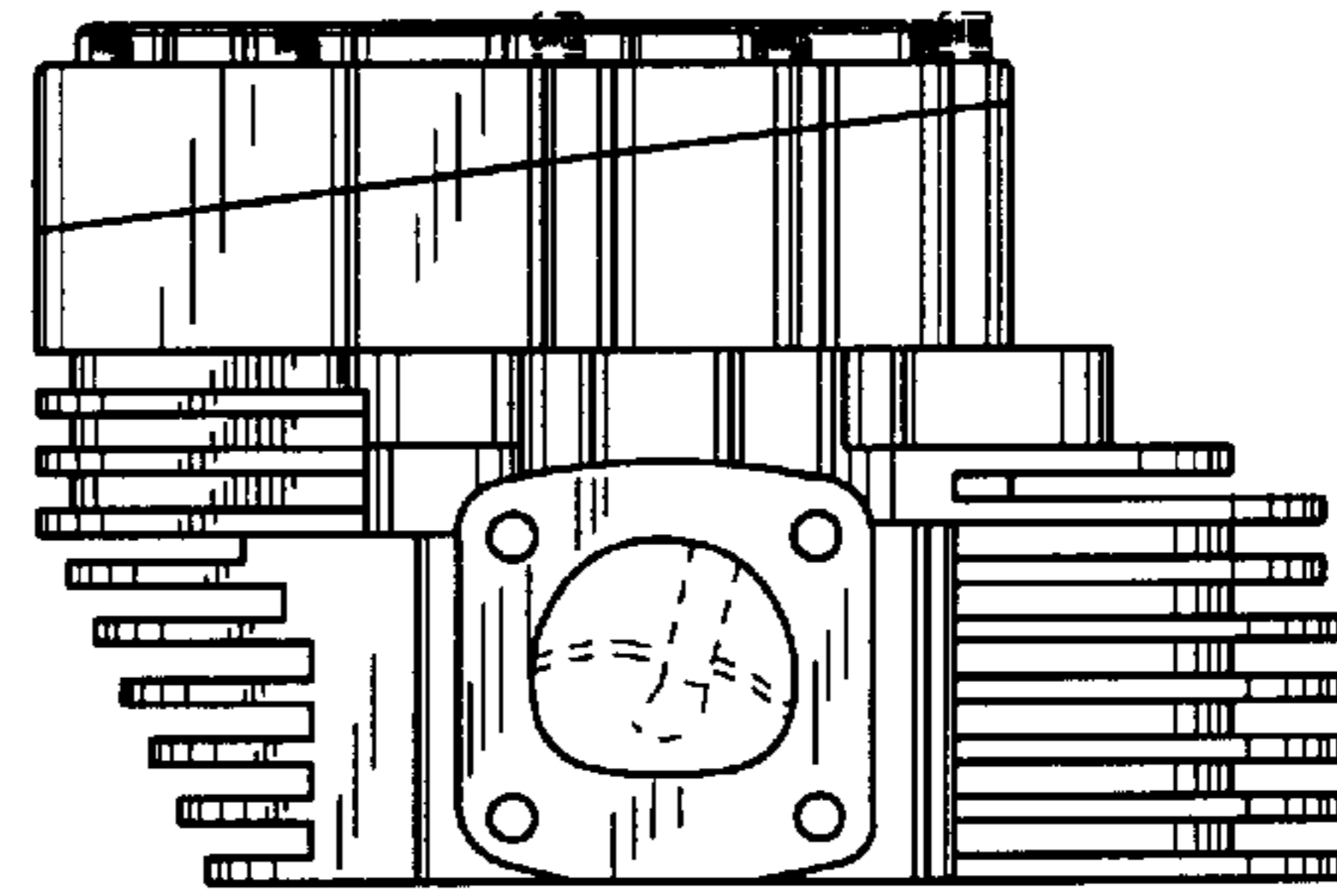


Fig. 14

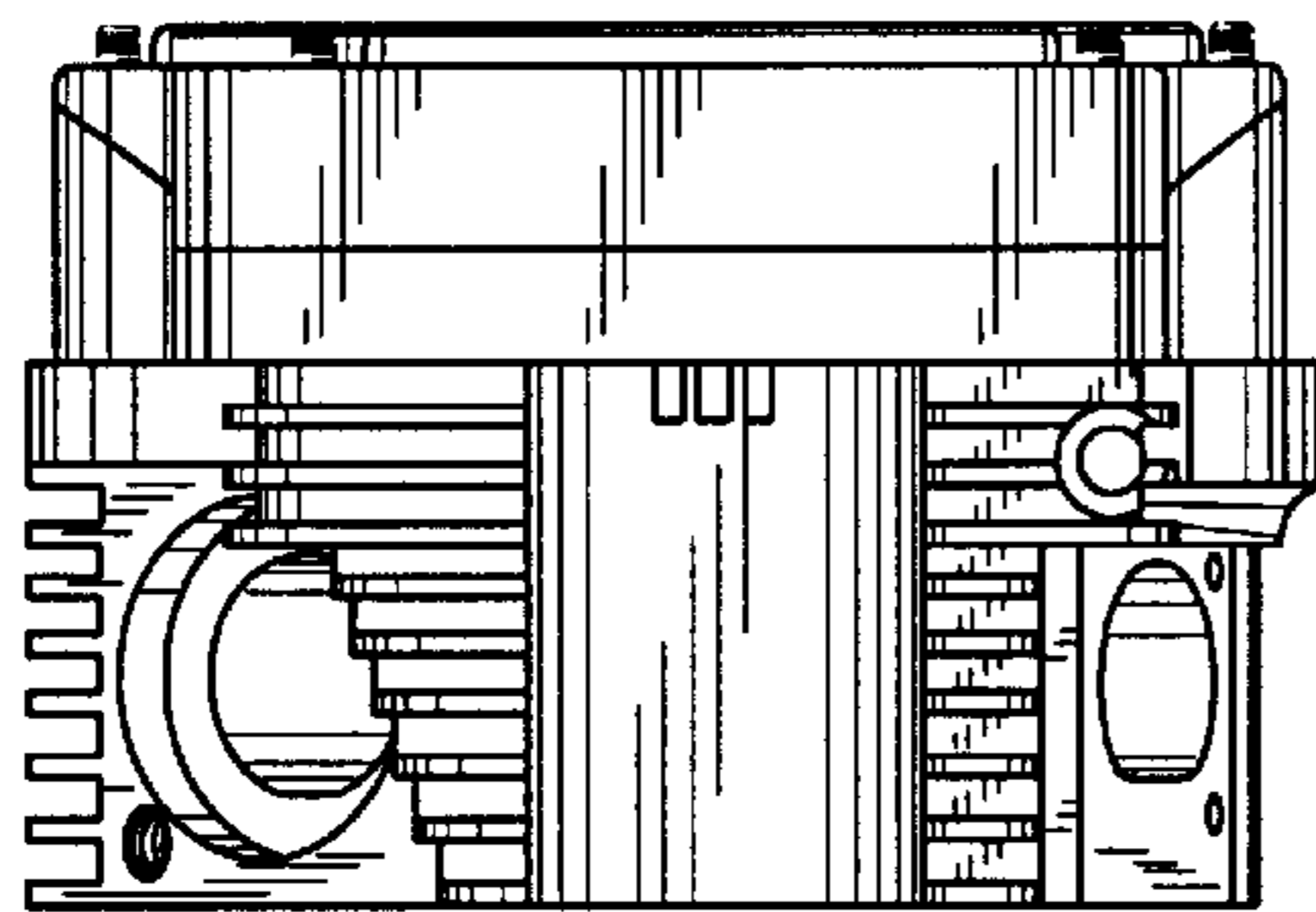
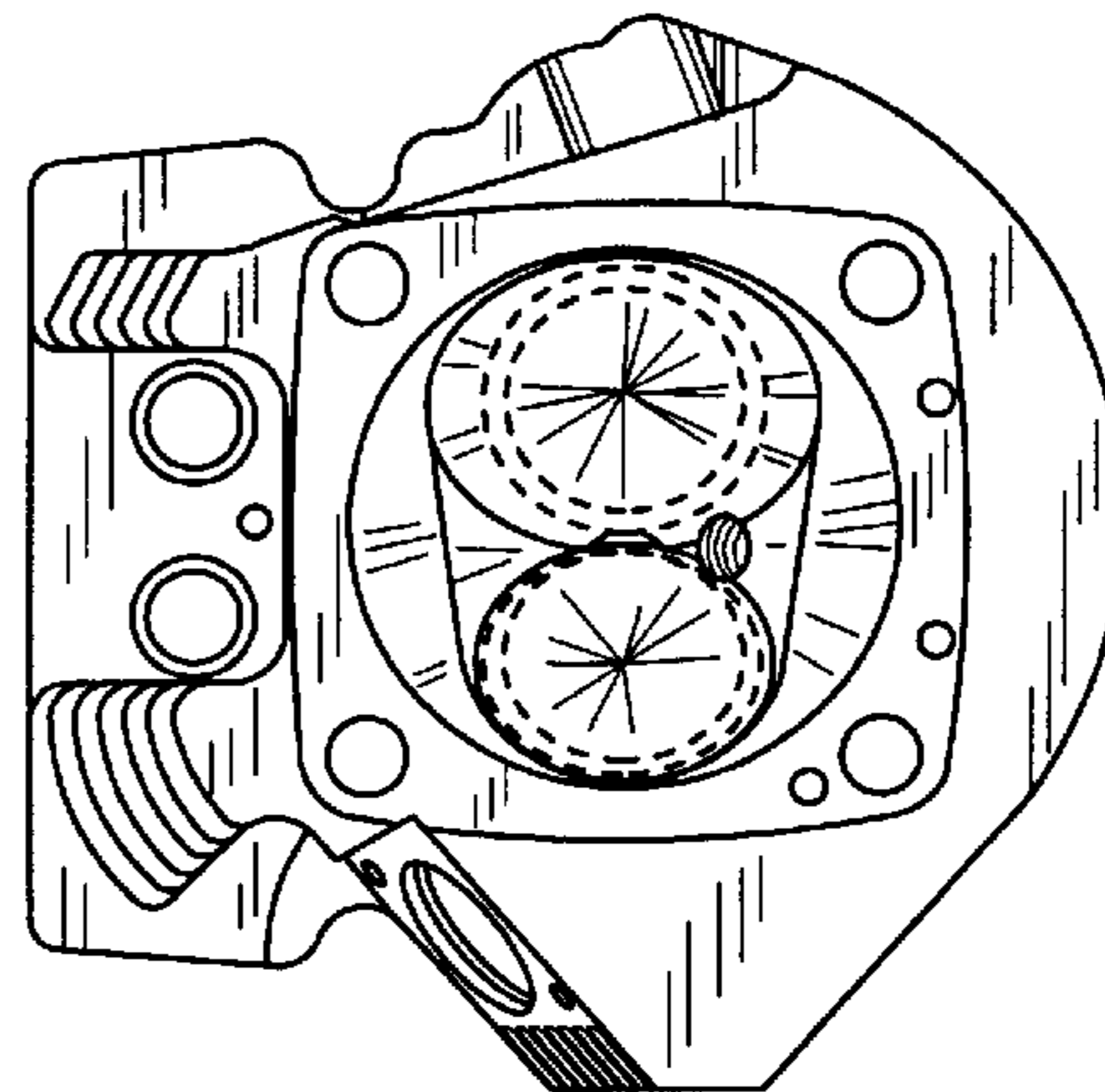


Fig. 15

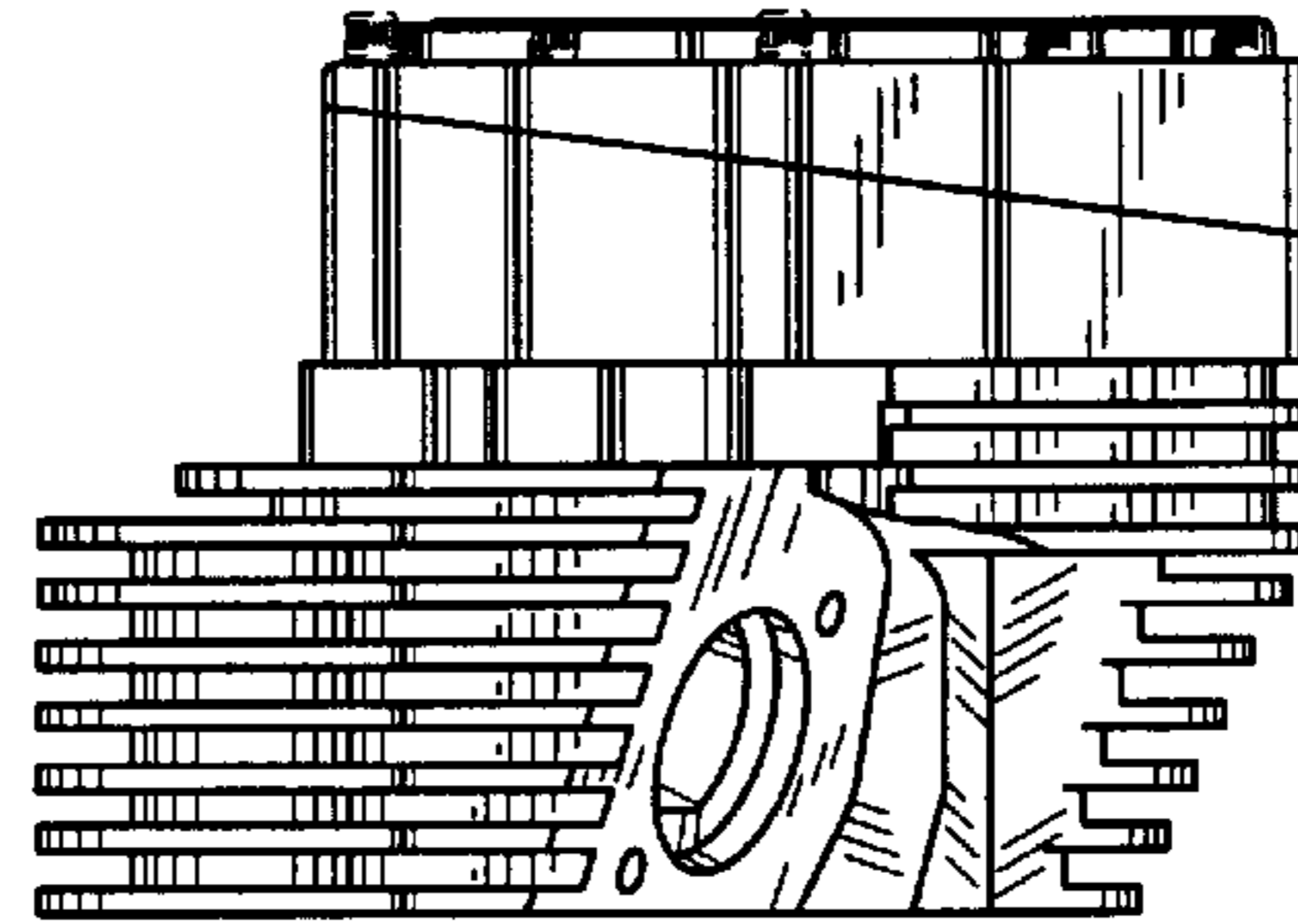


Fig. 16