



US00D524819S

(12) **United States Design Patent**
Chen

(10) **Patent No.:** **US D524,819 S**

(45) **Date of Patent:** **** Jul. 11, 2006**

(54) **PANEL FOR COMPUTER DRAWER**

(75) Inventor: **Feng Ming Chen**, Taipei (TW)

(73) Assignee: **Chenbro Micon Co., Ltd.** (TW)

(**) Term: **14 Years**

(21) Appl. No.: **29/228,909**

(22) Filed: **May 2, 2005**

(51) **LOC (8) Cl.** **14-02**

(52) **U.S. Cl.** **D14/442**

(58) **Field of Classification Search** D14/441-446;
D13/162, 184, 199; 312/223.2; 360/99.01-99.12;
361/680-686, 690-696; 369/34.01, 36.01
See application file for complete search history.

(56) **References Cited**

U.S. PATENT DOCUMENTS

D474,187 S * 5/2003 Hsu D14/445

D485,844 S * 1/2004 Chen et al. D14/442
D499,421 S * 12/2004 Zhang et al. D14/445

* cited by examiner

Primary Examiner—Freda S. Nunn

(74) *Attorney, Agent, or Firm*—Bacon & Thomas PLLC

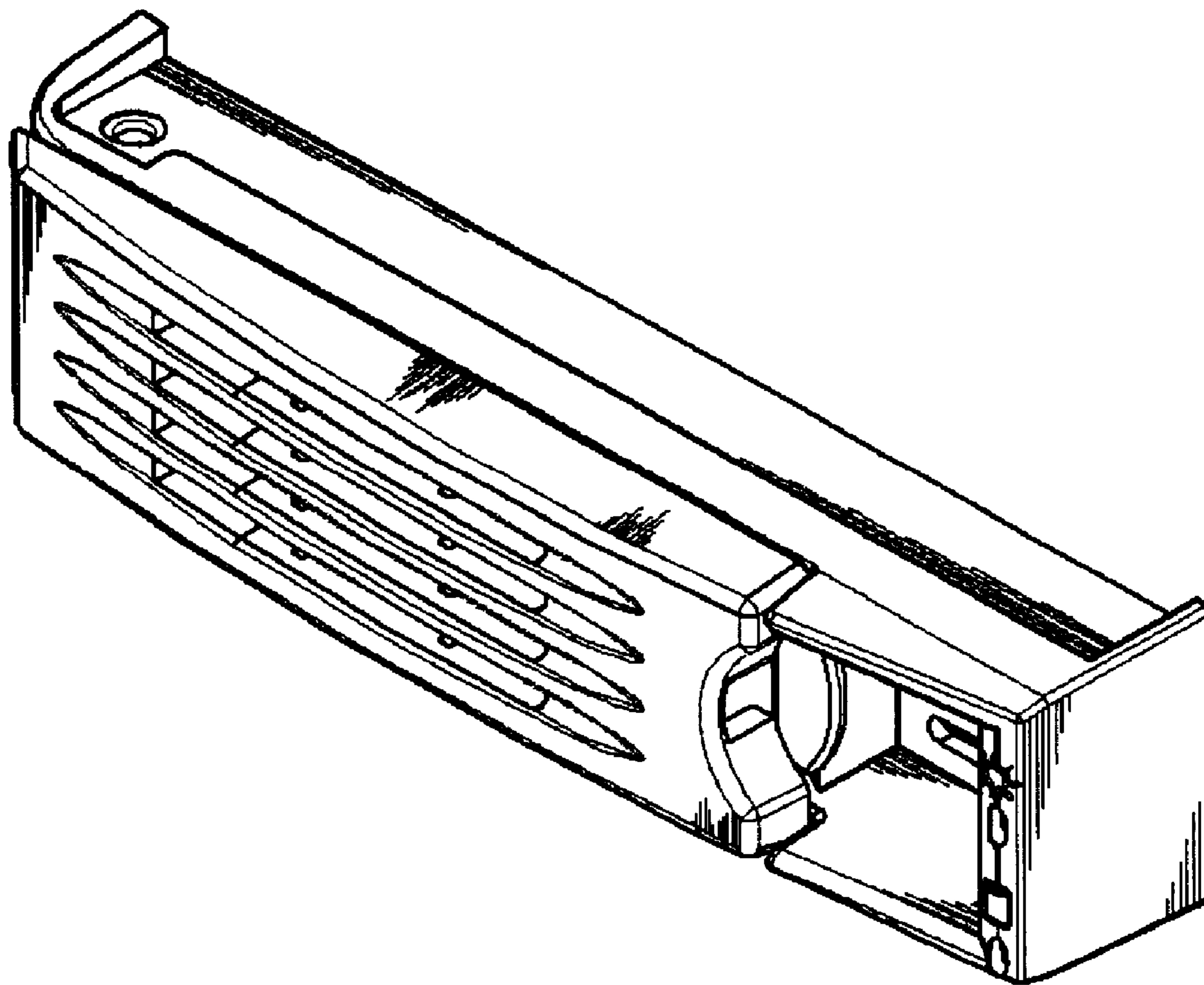
(57) **CLAIM**

The ornamental design for a panel for computer drawer, as shown and described.

DESCRIPTION

FIG. 1 is a perspective view of a panel for computer drawer showing my design;
FIG. 2 is a front view thereof;
FIG. 3 is a rear view thereof;
FIG. 4 is a left side view thereof;
FIG. 5 is a right side view thereof;
FIG. 6 is a top view thereof; and,
FIG. 7 is a bottom view thereof.

1 Claim, 7 Drawing Sheets



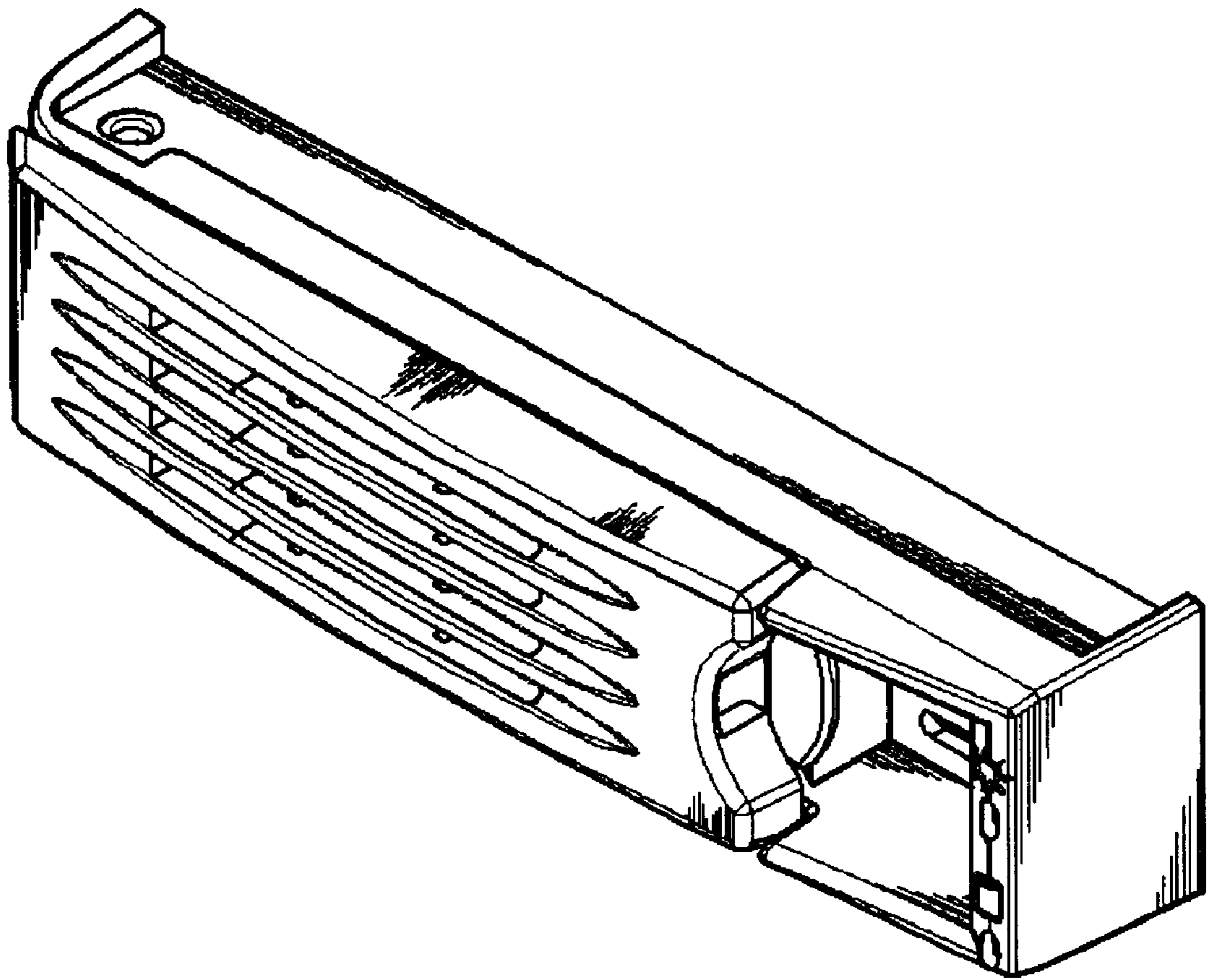


FIG. 1

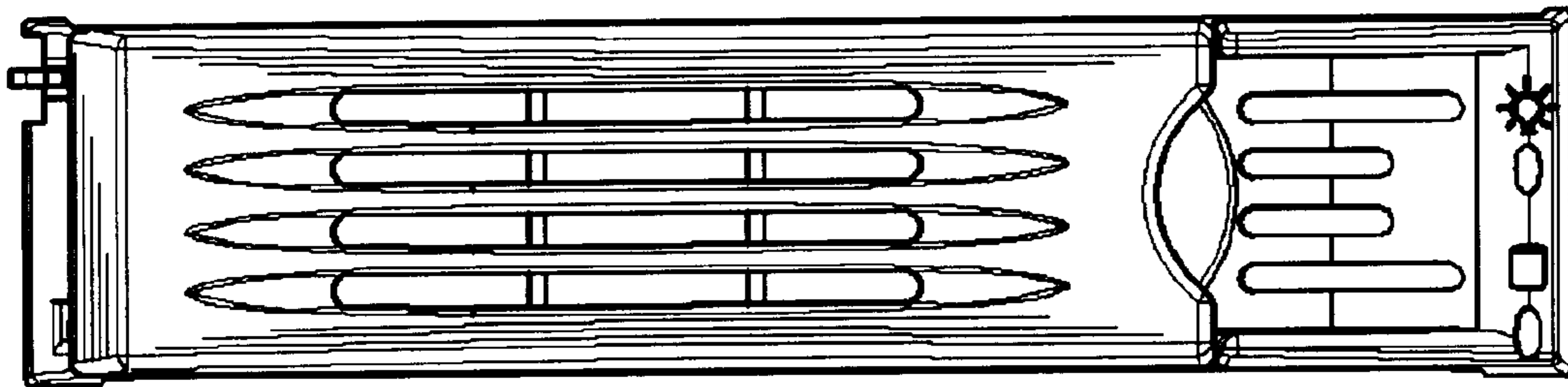


FIG. 2

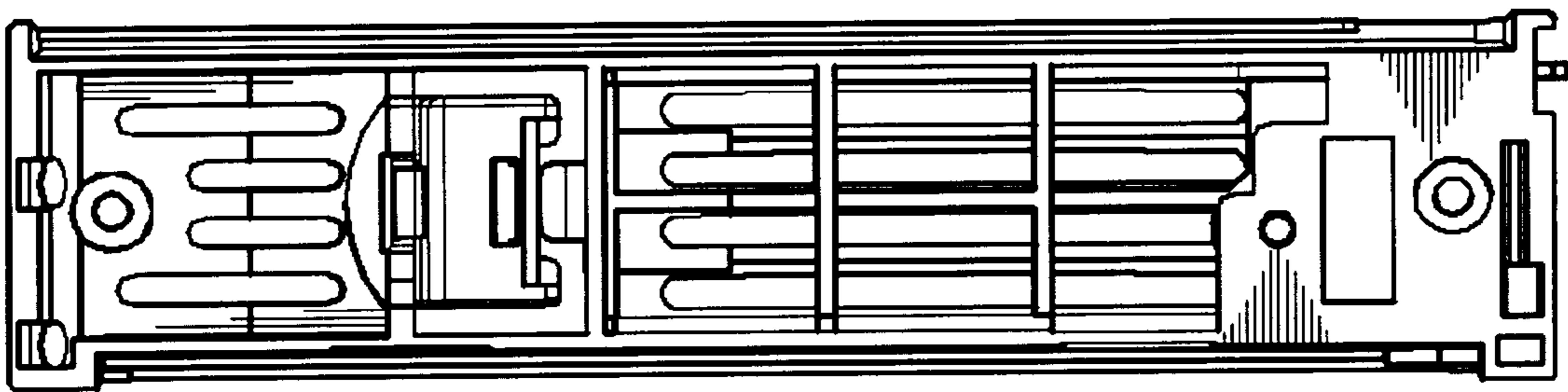


FIG. 3

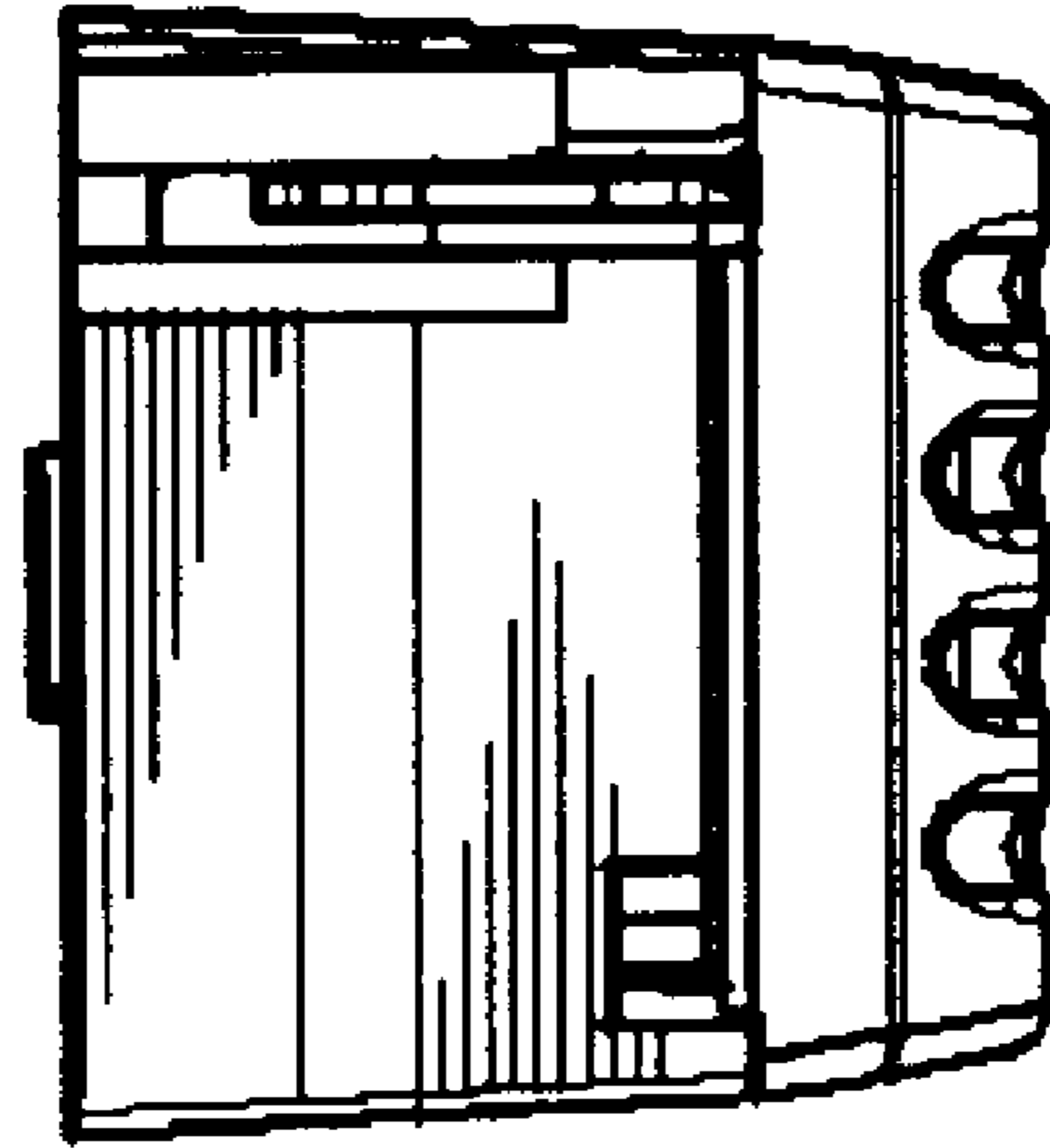


FIG. 4

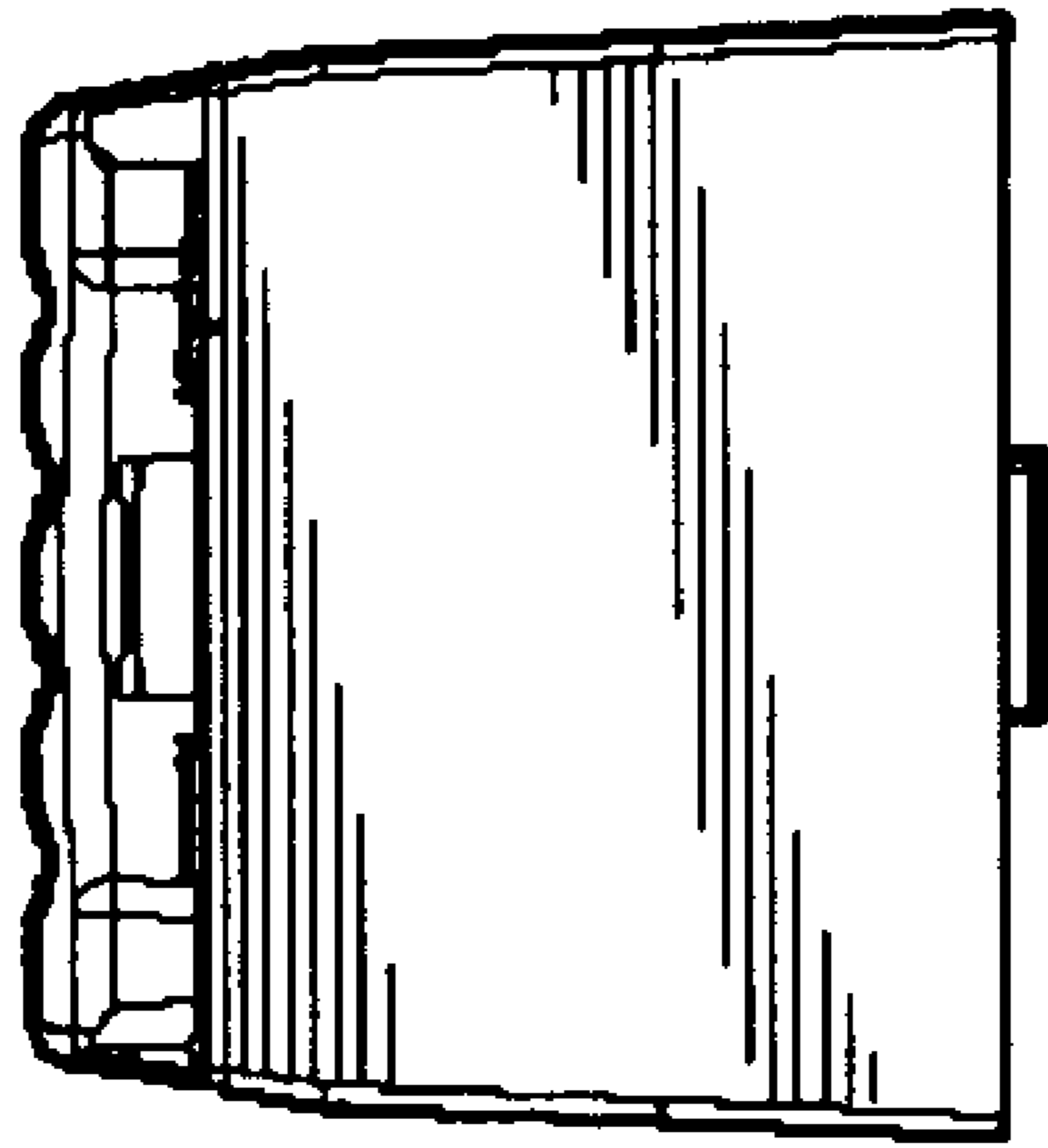


FIG. 5

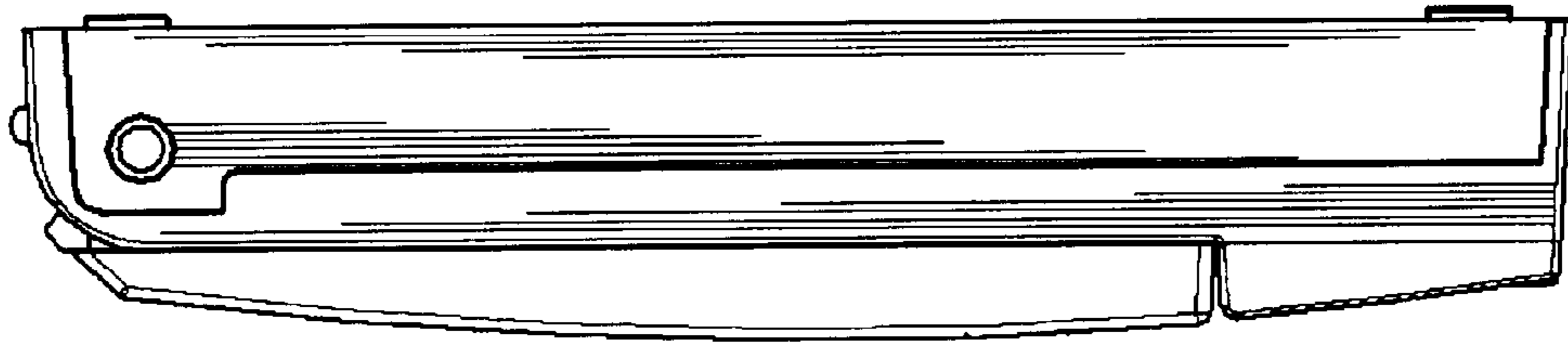


FIG. 6

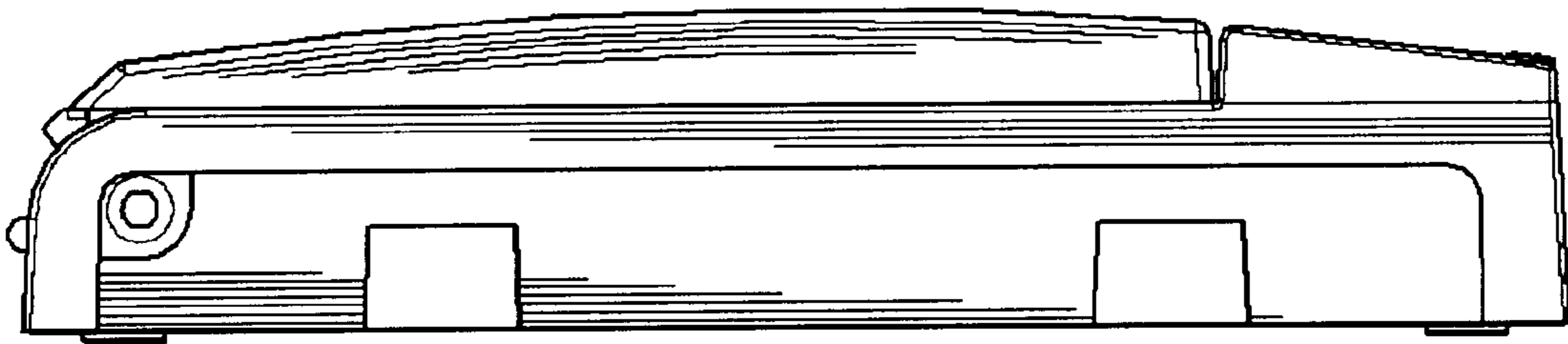


FIG. 7