

US00D524818S

(12) **United States Design Patent**
Kerrigan et al.

(10) **Patent No.:** **US D524,818 S**

(45) **Date of Patent:** **** Jul. 11, 2006**

(54) **BEZEL FOR RACK MOUNTED DEVICE**

(75) Inventors: **Brian Michael Kerrigan**, Cary, NC (US); **Timothy Andreas Meserth**, Durham, NC (US); **Gerard Francis Muenkel**, Raleigh, NC (US)

(73) Assignee: **International Business Machines Corporation**, Armonk, NY (US)

(**) Term: **14 Years**

(21) Appl. No.: **29/227,194**

(22) Filed: **Apr. 7, 2005**

(51) **LOC (8) Cl.** **14-02**

(52) **U.S. Cl.** **D14/441**

(58) **Field of Classification Search** D14/441-446,
D14/313, 349; D13/162, 184, 199; 312/223.1-223.3;
361/680-686, 690-696; 369/34.01, 36.01,
369/14

See application file for complete search history.

(56) **References Cited**

U.S. PATENT DOCUMENTS

4,839,875 A * 6/1989 Kuriyama et al. 369/14
D308,672 S * 6/1990 Aderman et al. D14/445

6,075,698 A * 6/2000 Hogan et al. 361/695
D428,892 S * 8/2000 Haimson D14/441
D469,087 S * 1/2003 Sue et al. D14/349
D477,826 S * 7/2003 Crisp et al. D14/444
D486,493 S * 2/2004 Yang D14/441
D500,502 S * 1/2005 Davis D14/441

* cited by examiner

Primary Examiner—Freda S. Nunn

(74) *Attorney, Agent, or Firm*—James R. Nock

(57) **CLAIM**

The ornamental design of a bezel for rack mounted device, as shown and described.

DESCRIPTION

FIG. 1 is a perspective view of the bezel for rack-mounted device wherein the housing is shown in broken lines for illustrative purposes only and forms no part of the claimed design;

FIG. 2 is a front elevation view thereof;

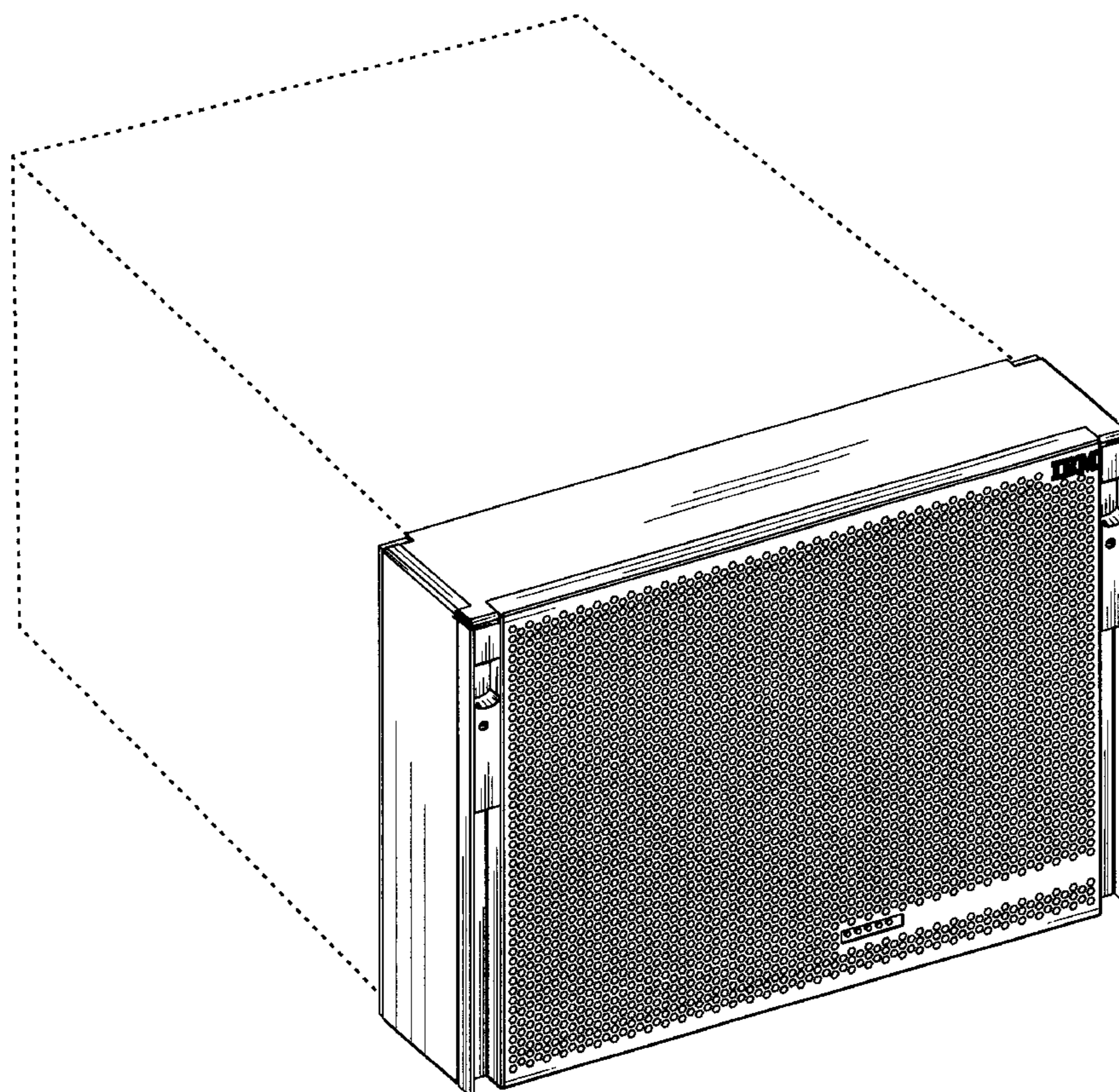
FIG. 3 is a top plan view thereof;

FIG. 4 is a left side view thereof; and,

FIG. 5 is a right side view thereof.

The bottom view is omitted, since it contains no ornamental features.

1 Claim, 5 Drawing Sheets



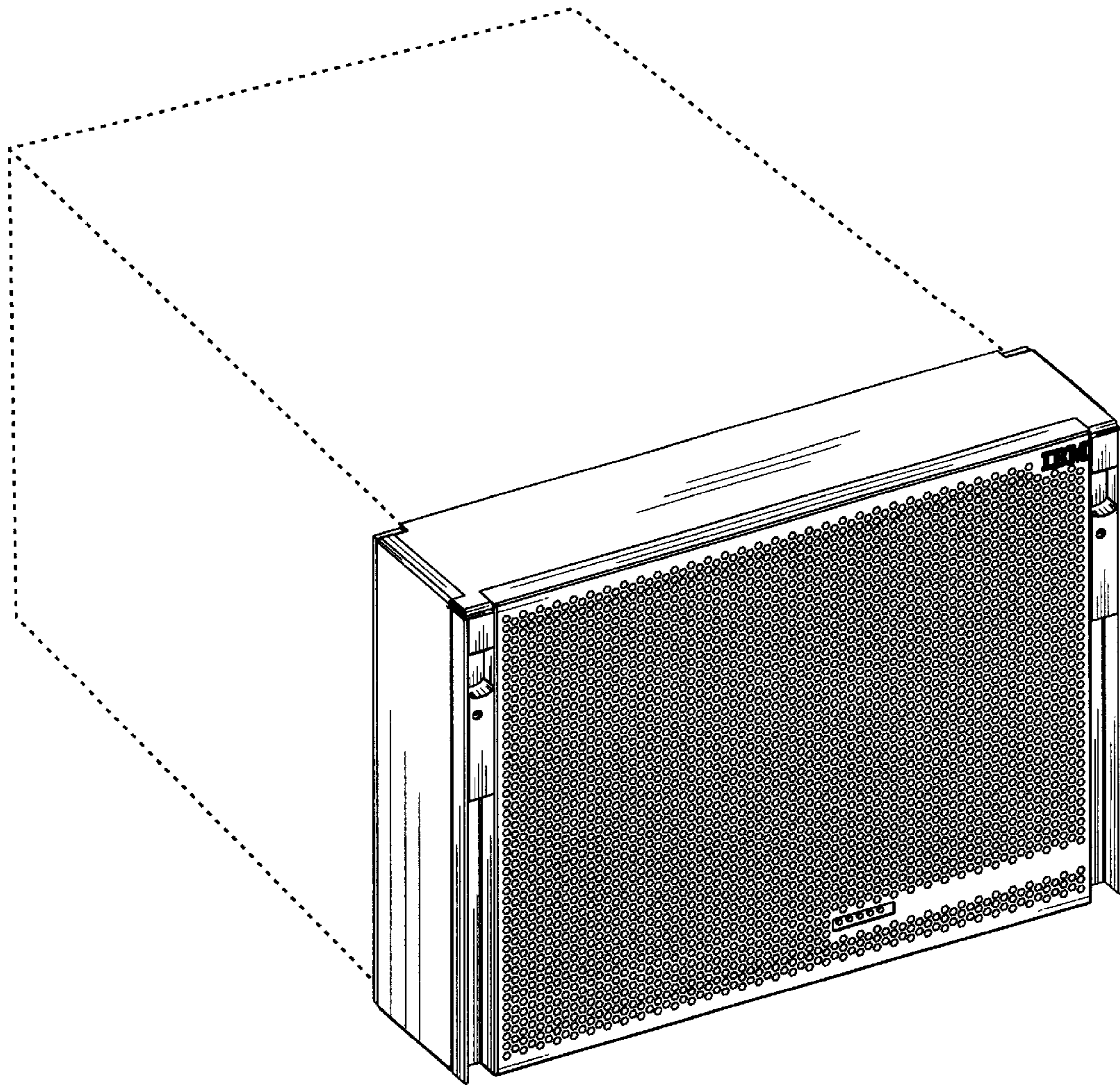


FIG. 1

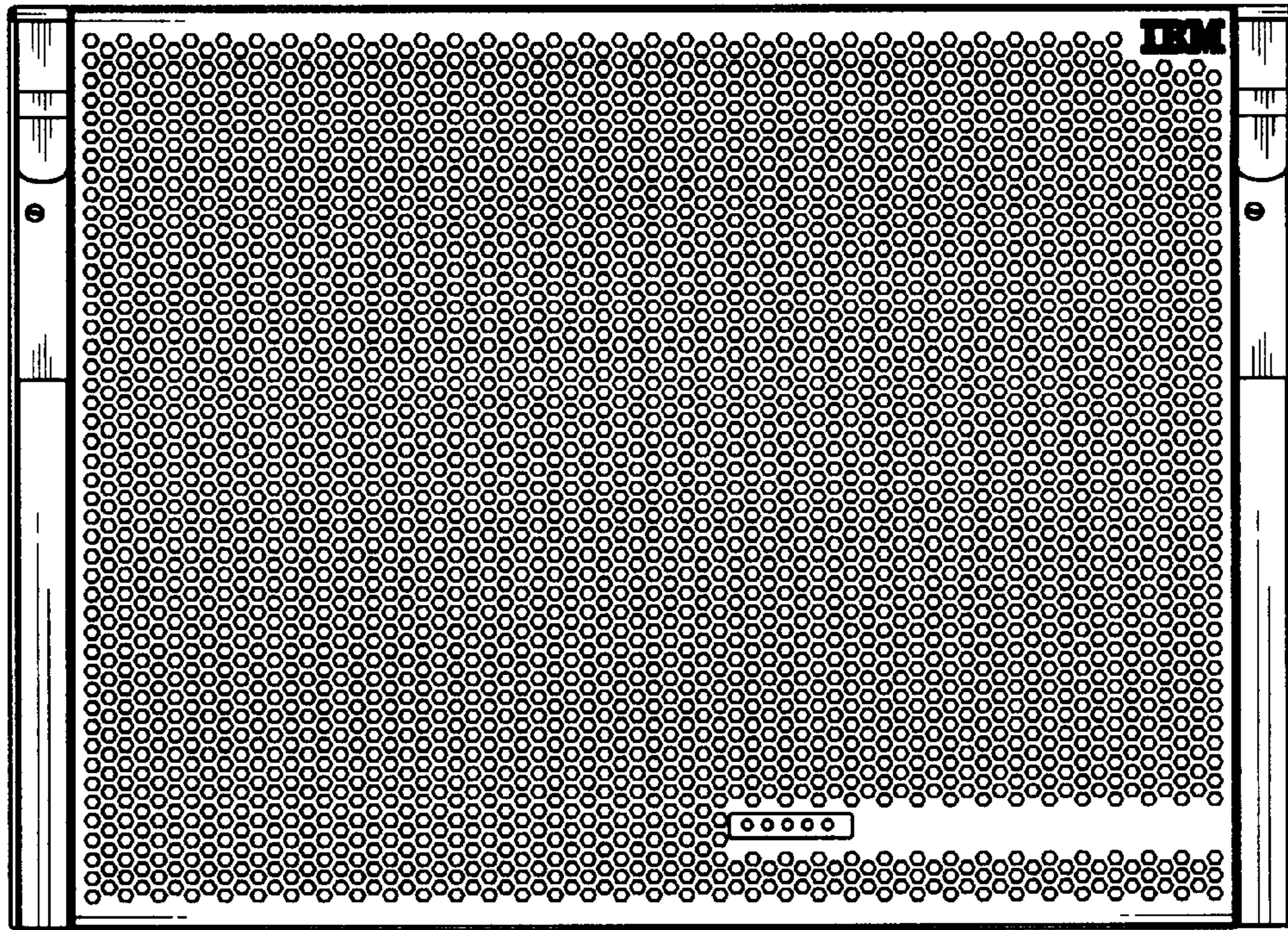


FIG. 2

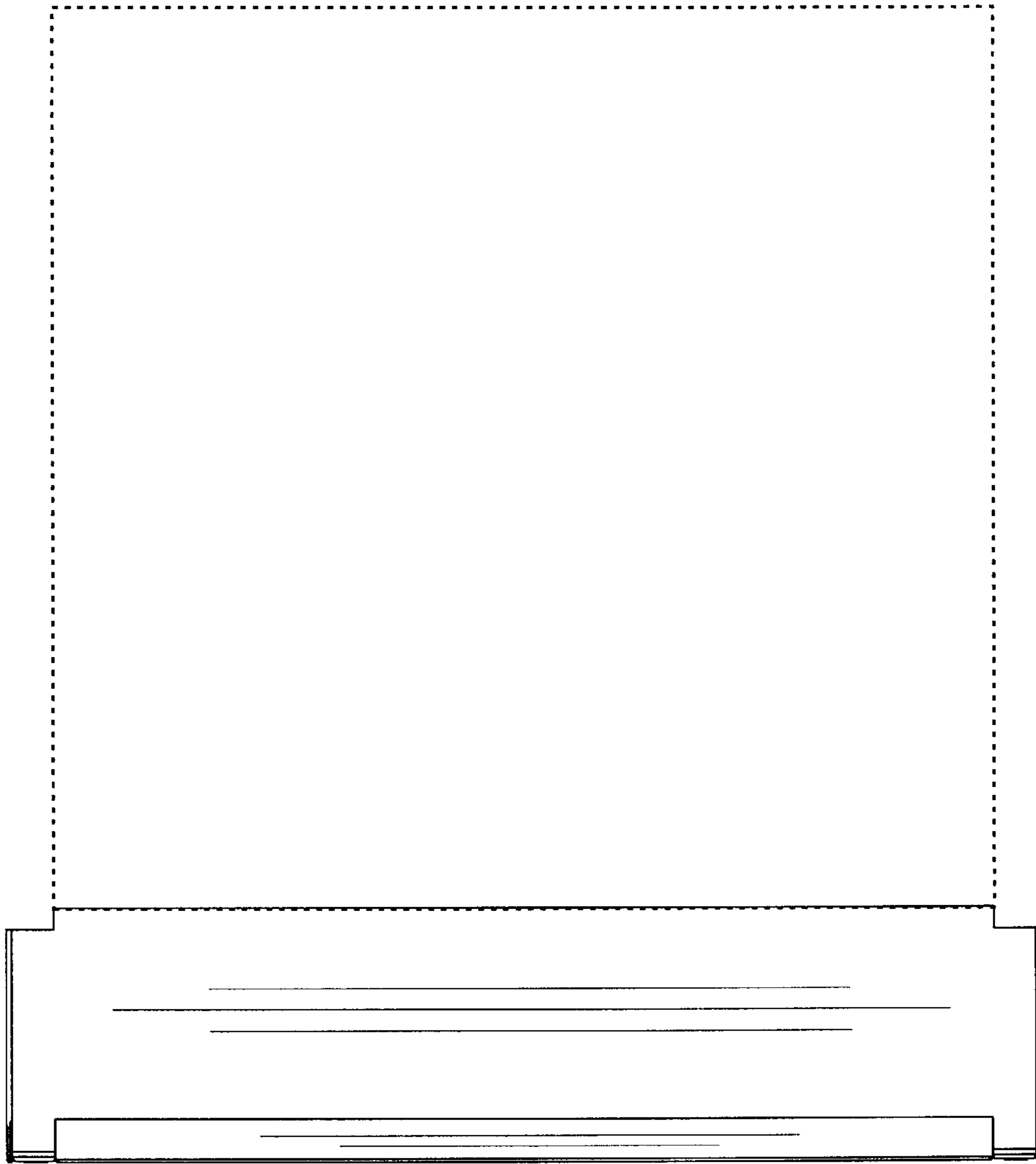


FIG. 3

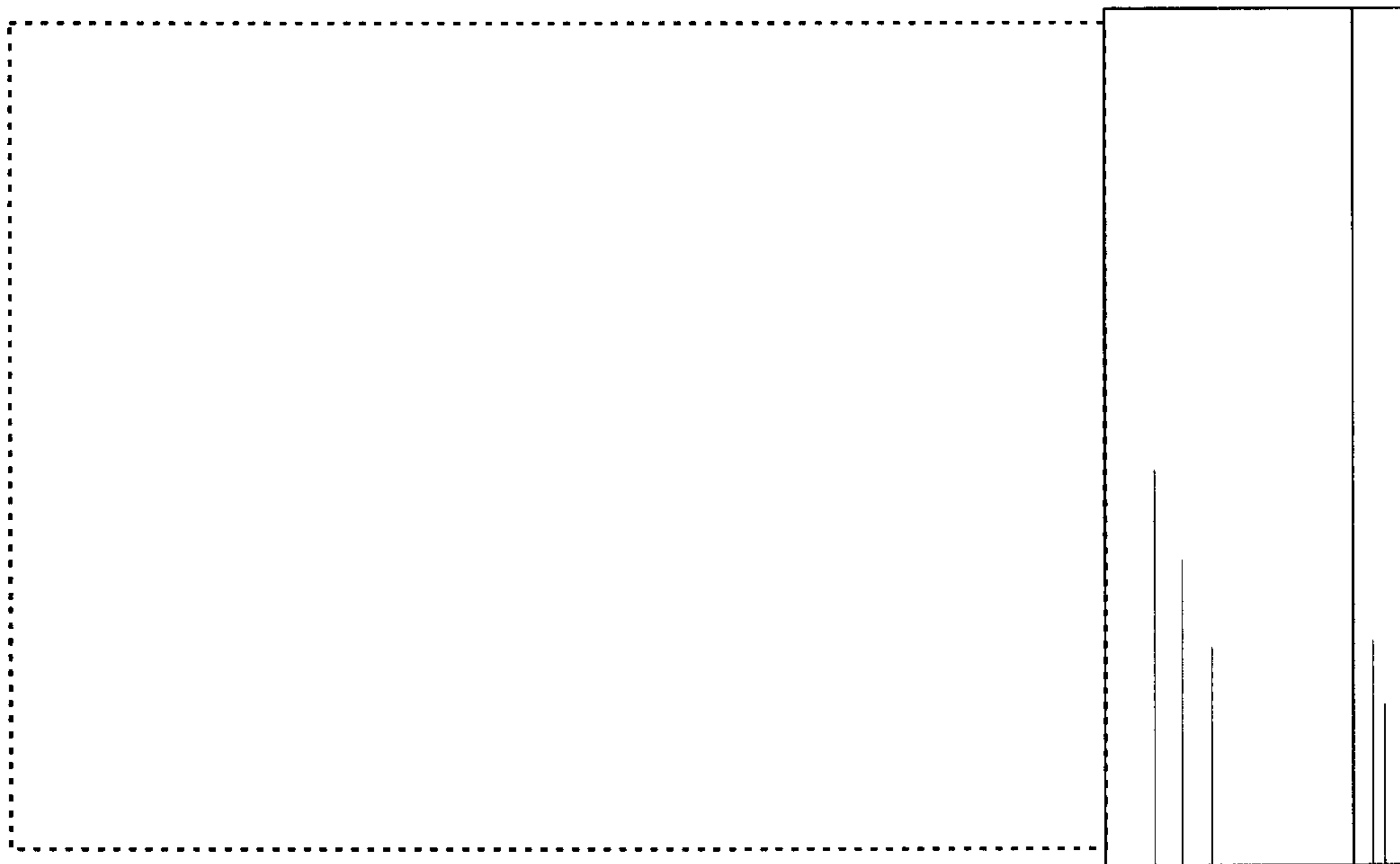


FIG. 4

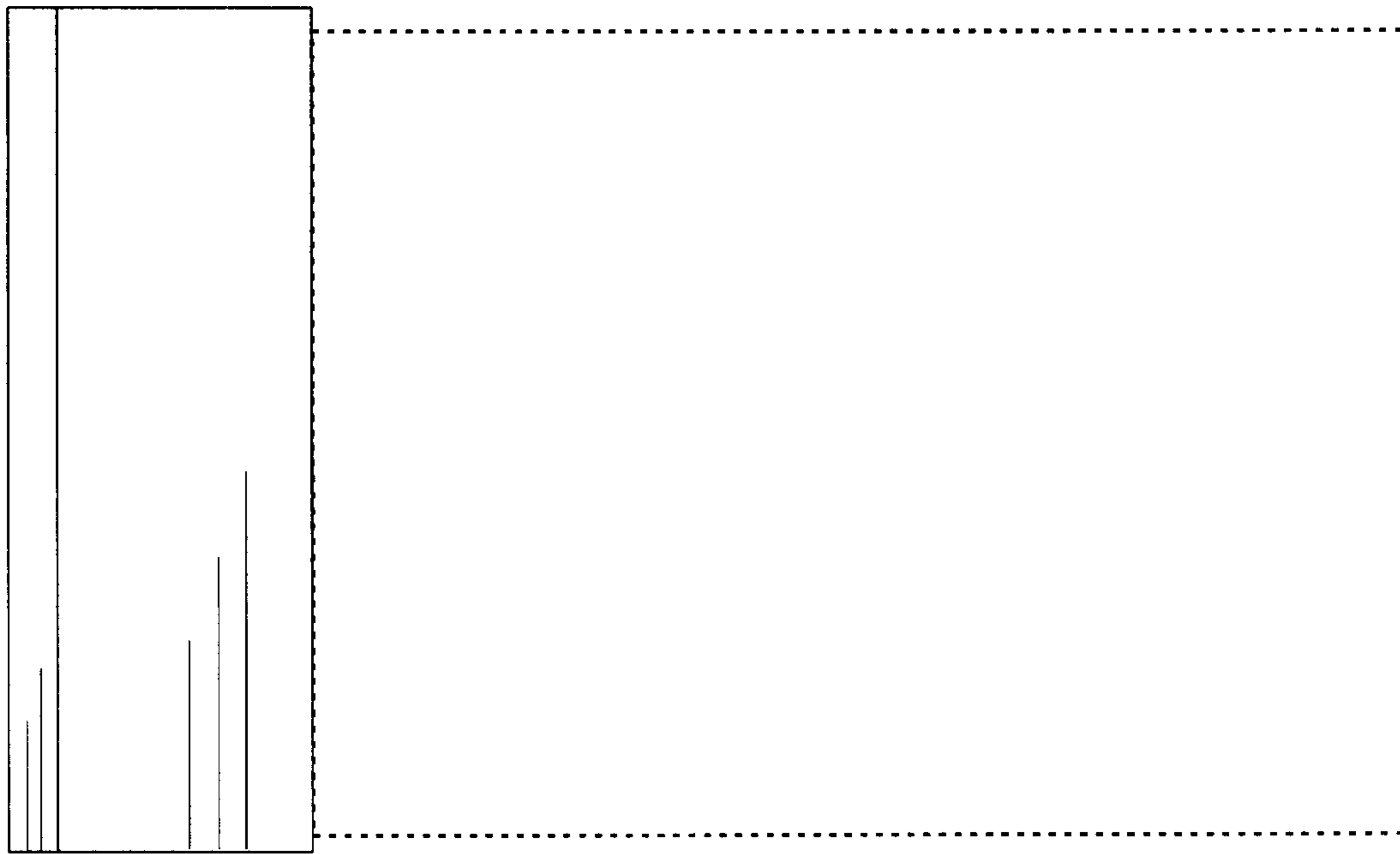


FIG. 5