



US00D524817S

(12) **United States Design Patent**  
**Conley et al.**

(10) **Patent No.:** **US D524,817 S**  
(45) **Date of Patent:** **\*\* Jul. 11, 2006**

- (54) **PORTABLE MEMORY STORAGE DEVICE**
- (75) Inventors: **Kevin M. Conley**, San Jose, CA (US);  
**Sanjay Dave**, Mountain View, CA (US); **Michael Morganstern**, Saratoga, CA (US); **Wesley G. Brewer**, Menlo Park, CA (US); **Robert C. Miller**, San Jose, CA (US); **Suresh Upadhyayula**, San Jose, CA (US); **Jeff Salazar**, Palo Alto, CA (US); **Daniel Kennedy**, San Francisco, CA (US); **Robert Howard**, Palo Alto, CA (US); **Matt Peterson**, San Francisco, CA (US); **Joel Jacobs**, San Francisco, CA (US)

6,456,500	B1	*	9/2002	Chen	.....	361/752
6,522,534	B1	*	2/2003	Wu	.....	361/686
6,561,421	B1	*	5/2003	Yu	.....	235/451
6,567,273	B1	*	5/2003	Liu et al.	.....	361/737
6,594,154	B1	*	7/2003	Brewer et al.	.....	361/801
6,650,534	B1	*	11/2003	Tree	.....	361/686
6,671,808	B1		12/2003	Abbott et al.		
D486,814	S	*	2/2004	Nakamura	.....	D14/167

(Continued)

**OTHER PUBLICATIONS**

Storage Media—Bluetooth of gps wifi side—Product Detail, <http://www.storage-media.com>, printed Mar. 1, 2005, 2 pages.

(Continued)

- (73) Assignee: **SanDisk Corporation**, Sunnyvale, CA (US)

(\*\*) **Term:** **14 Years**

(21) **Appl. No.:** **29/224,969**

(22) **Filed:** **Mar. 9, 2005**

(51) **LOC (8) Cl.** ..... **14-02**

(52) **U.S. Cl.** ..... **D14/435**

(58) **Field of Classification Search** ..... D14/356,  
D14/242, 436, 433, 474, 240; 360/97.01;  
361/685, 686, 752, 737, 732, 784, 803; 439/135,  
439/144, 139–141, 147, 136, 638, 518, 131;  
365/51, 63, 131; 710/52, 300, 313; 711/115,  
711/103, 154, 161–62; 70/58; 323/210; 713/186,  
713/1; 382/124; 235/492

See application file for complete search history.

(56) **References Cited**

**U.S. PATENT DOCUMENTS**

5,212,729	A	*	5/1993	Schafer	.....	705/55
6,259,769	B1	*	7/2001	Page et al.	.....	235/375
D449,615	S	*	10/2001	Lloyd	.....	D14/433
6,394,813	B1	*	5/2002	Stout et al.	.....	439/11
D462,689	S	*	9/2002	Moran	.....	D14/433
D463,426	S	*	9/2002	Cheng	.....	D14/356
6,447,140	B1	*	9/2002	Lu	.....	362/109

*Primary Examiner*—M. H. Tung  
*Assistant Examiner*—Susan Moon Lee  
(74) *Attorney, Agent, or Firm*—Vierrra Magen Marcus & DeNiro LLP

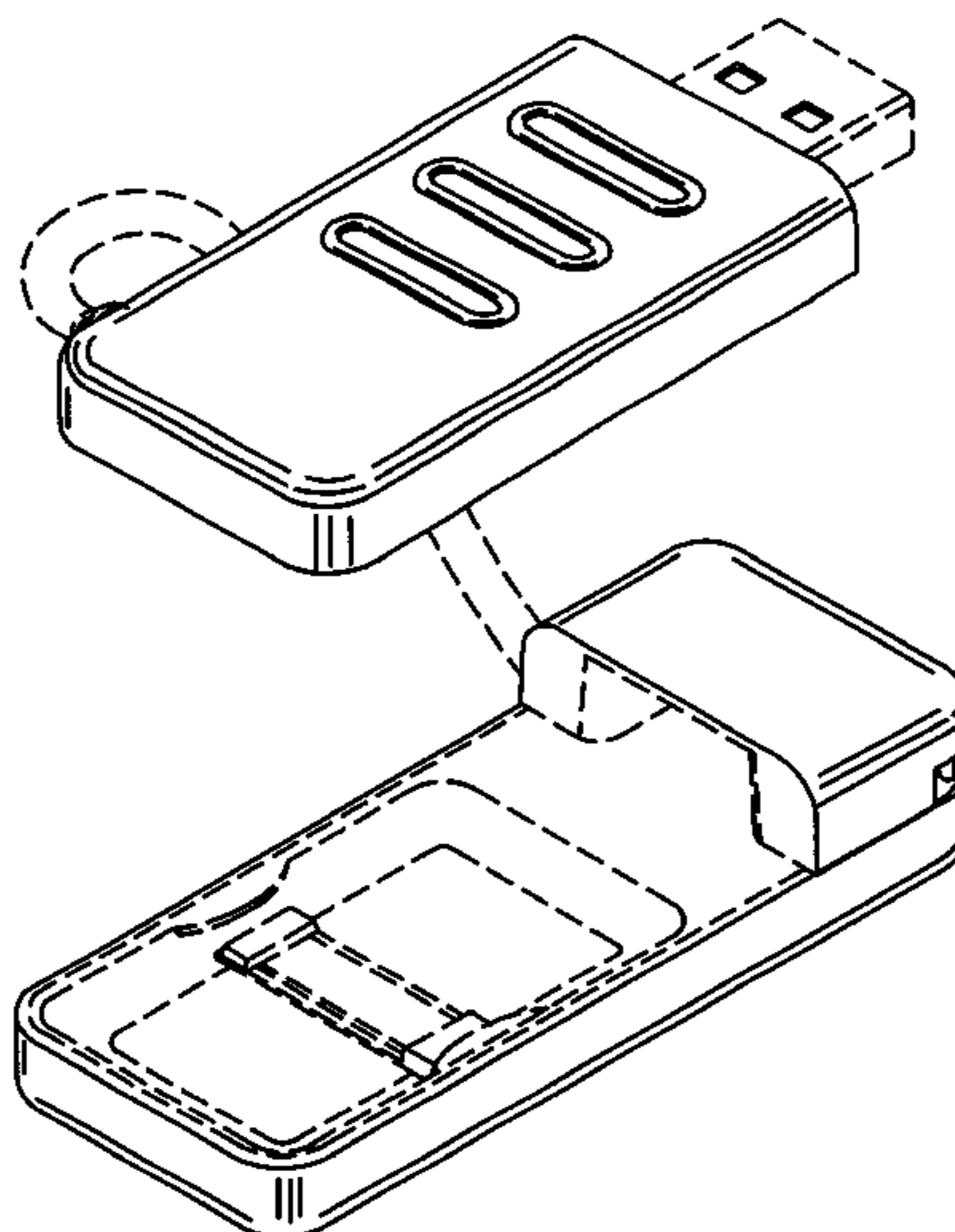
(57) **CLAIM**

We claim the ornamental design for a portable memory storage device, as shown and described.

**DESCRIPTION**

FIGS. 1 and 2 are different perspective views of the portable memory storage device according to the present invention. FIG. 3 is a perspective view of the portable memory storage device in an open position; FIG. 4 is a top view thereof; FIG. 5 is a first side view thereof; FIG. 6 is a bottom view of the portable memory storage device; FIG. 7 is a second side view thereof; FIG. 8 is a first end view thereof; and, FIG. 9 is a second end view thereof. The broken lines on the drawings are for illustrative purposes only and form no part of the claimed ornamental design.

**1 Claim, 4 Drawing Sheets**



U.S. PATENT DOCUMENTS

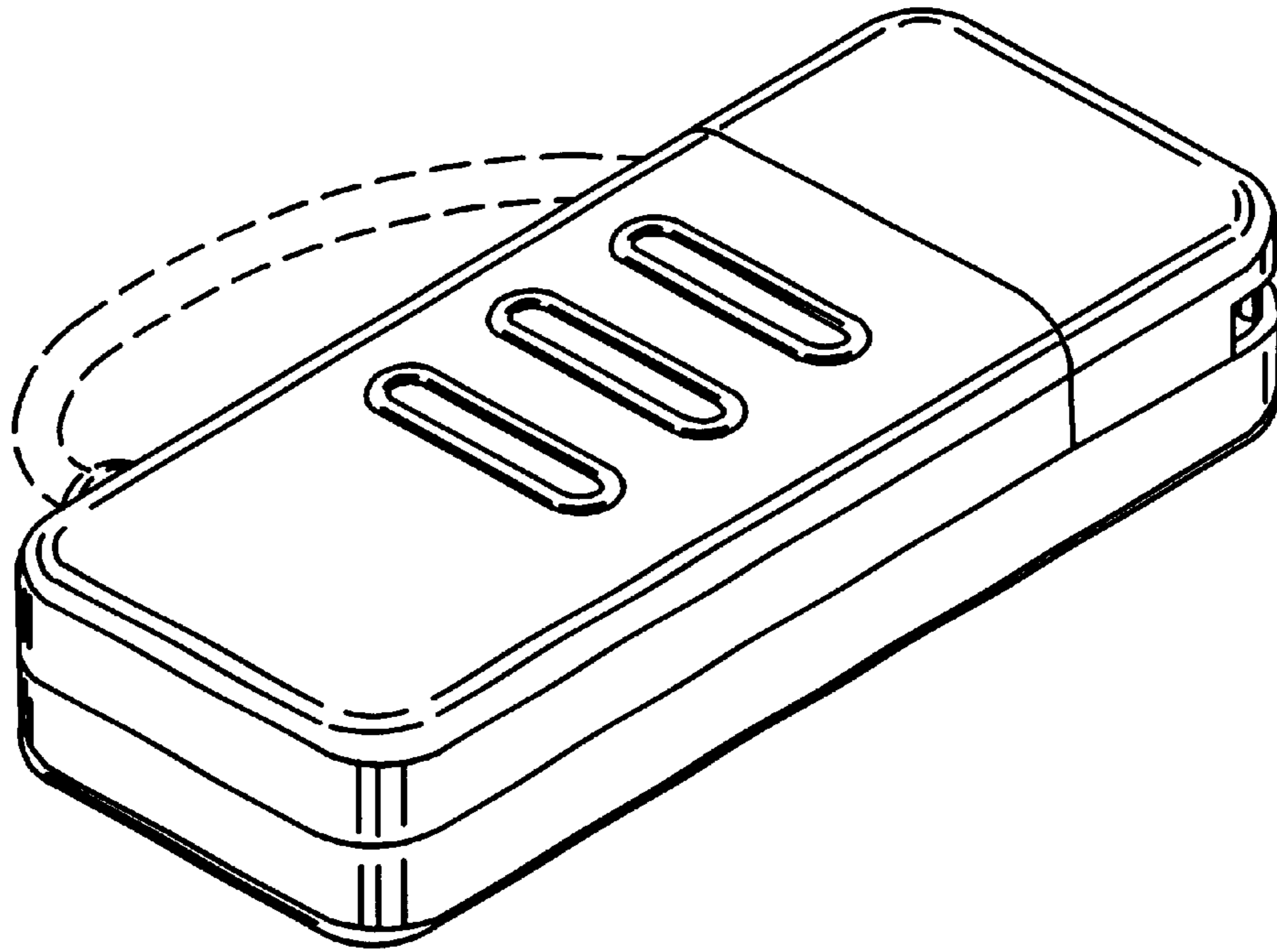
2002/0036149	A1 *	3/2002	Kwong .....	206/308.3
2002/0147882	A1 *	10/2002	Pua et al. ....	711/103
2002/0177362	A1 *	11/2002	Chang .....	439/638
2003/0005337	A1 *	1/2003	Poo et al. ....	713/202
2003/0063196	A1 *	4/2003	Palatov et al. ....	348/211.2
2003/0103369	A1 *	6/2003	Wu .....	365/131
2003/0137859	A1 *	7/2003	Sugawara .....	365/51
2003/0167376	A1 *	9/2003	Koh .....	711/115
2003/0183698	A1 *	10/2003	Wu .....	235/492
2003/0223286	A1 *	12/2003	Lee .....	365/200
2003/0233519	A1 *	12/2003	Chien et al. ....	711/115
2004/0010656	A1 *	1/2004	Chiao et al. ....	711/103
2004/0038592	A1 *	2/2004	Yang .....	439/638
2004/0059847	A1 *	3/2004	Kao .....	710/62
2005/0036666	A1	2/2005	Wang et al.	

OTHER PUBLICATIONS

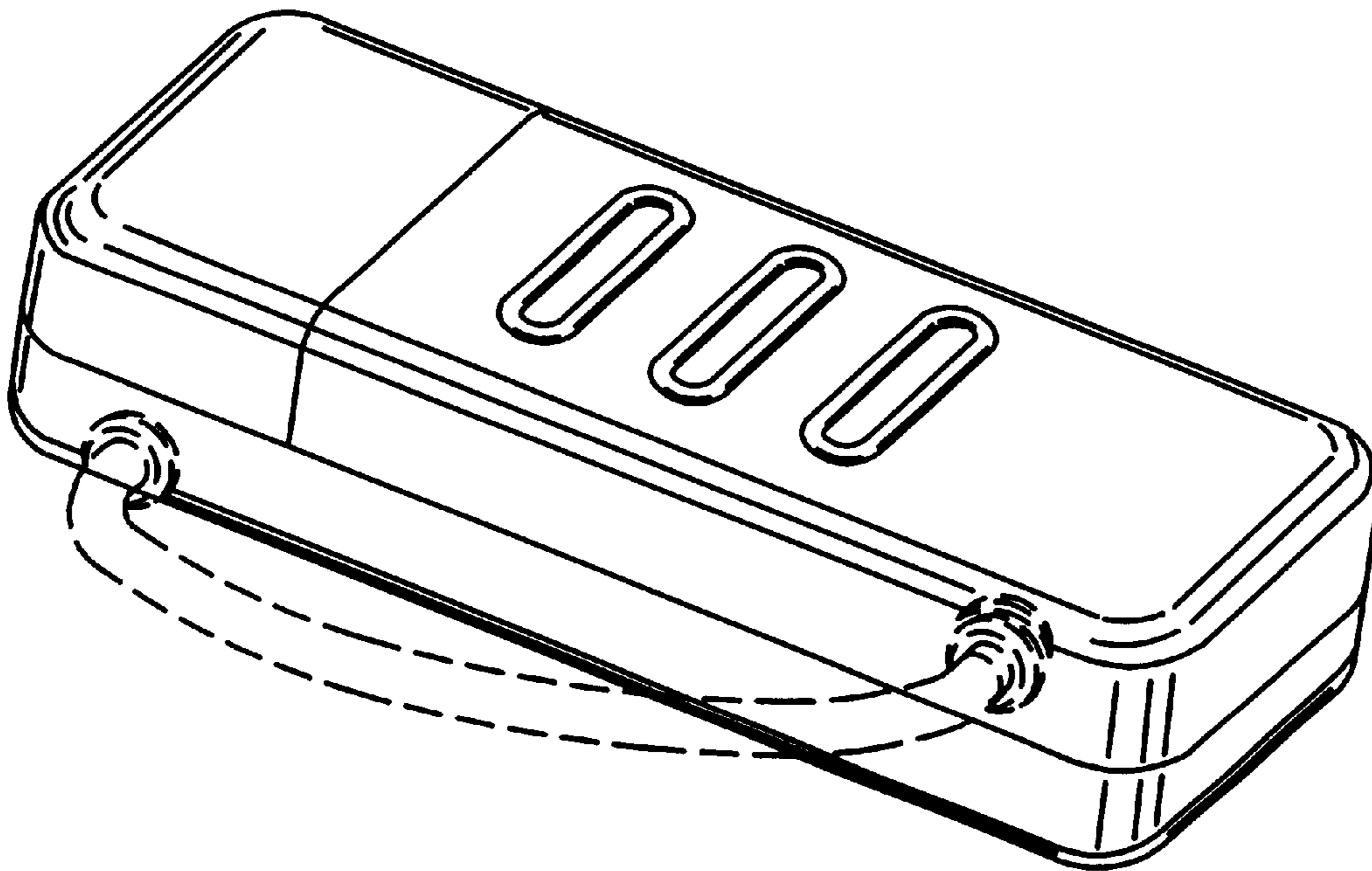
Biodisk USB 2.0 Flash Drive (128MB)—eXpanysys USA, <http://www.expanys-usa.com>, printed Mar. 1, 2005, 4 pages.  
 Lexar—USB Flash Drives—Jumpdrive TouchGuard, <http://www.lexar.com>, printed Mar. 8, 2005, 2 pages.

ACP 512MB Fingerprint Authent USB Micro Flash Drive—Retail (EPUSBFP/512), <http://www.computerhq.com>, printed Mar. 1, 2005, 3 pages.  
 Zones IT Product, <http://www.zones.com>, printed Mar. 1, 2005, 1 page.  
 Promotional USB Flash Drive—Fingerprint Flash Disk, <http://www.branders.com>, printed Mar. 1, 2005, 2 pages.  
 Product Detail, <http://www.pcuniverse.com>, printed Mar. 1, 2005, 2 pages.  
 Sony AIT Tapes, Sony LTO Tapes, Super DLT Tapes & Portable Harddisk Media from ISSIdata.com, <http://www.issidata.com>, printed Mar. 1, 2005, 2 pages.  
 UPEK, Inc./Products/USB Readers, <http://www.upek.com>, printed Mar. 8, 2005, 2 pages.  
 BioDisk Biometric USB Flash Drive USB 2.0, <http://www.card-media.co.uk.com>, printed Feb. 28, 2005, 3 pages.  
 APC Biometric Password Manager Review—Summary—Computer Hardware & Peripherals—Computer . . . , <http://www.reviews.designtechnica.com>, printed Feb. 28, 2005, 3 pages.

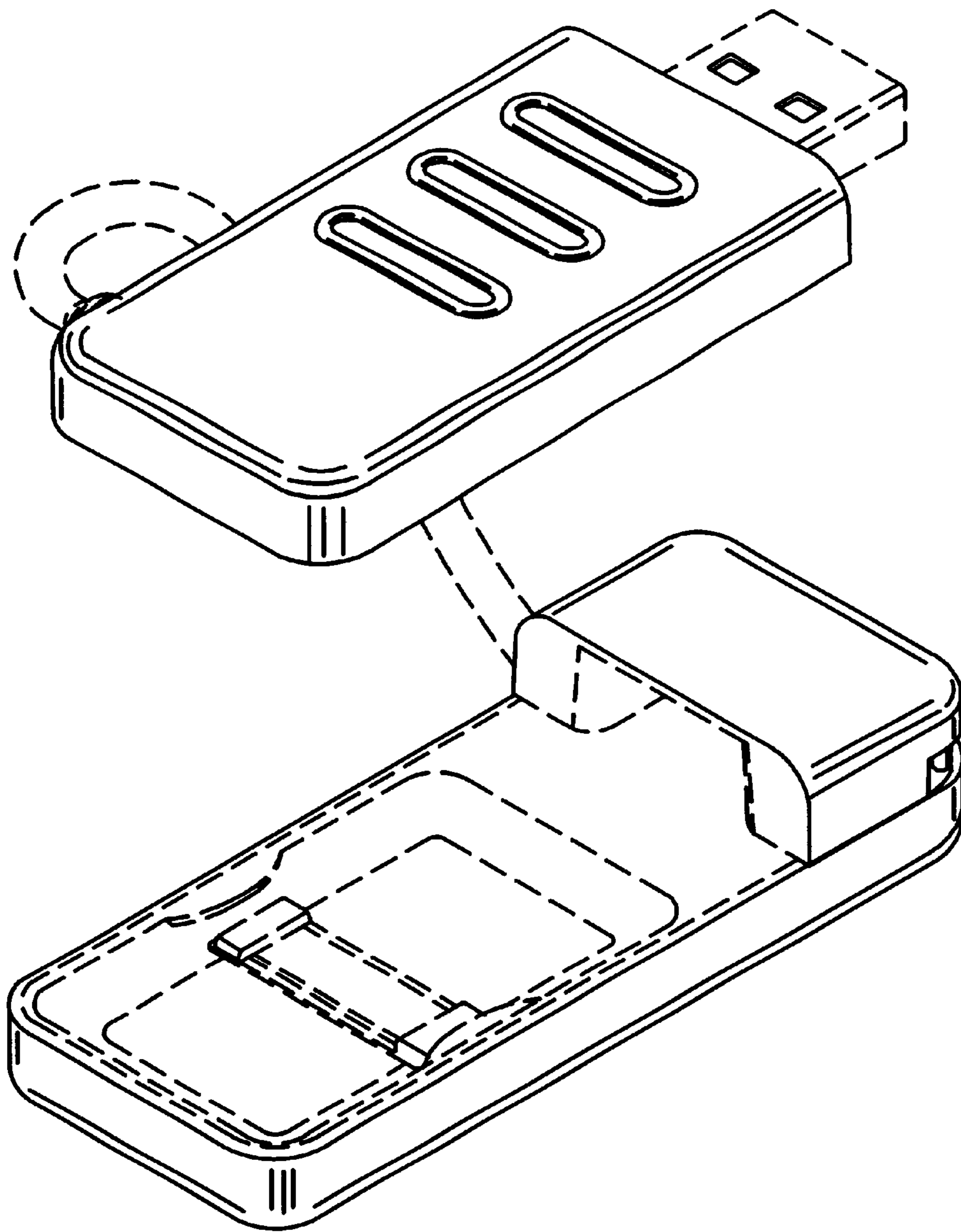
\* cited by examiner



*FIG. 1*



*FIG. 2*



*FIG. 3*

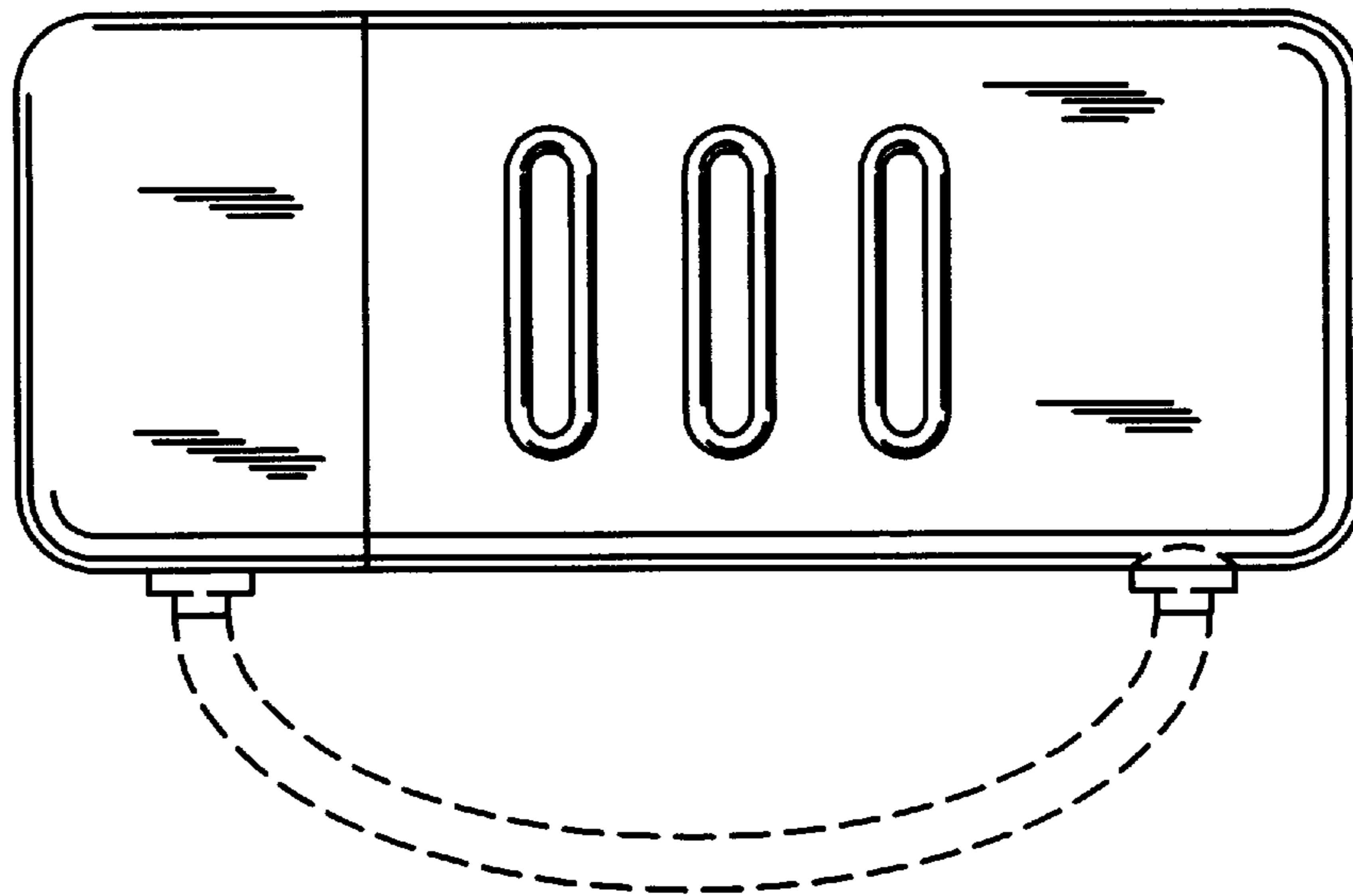


FIG. 4

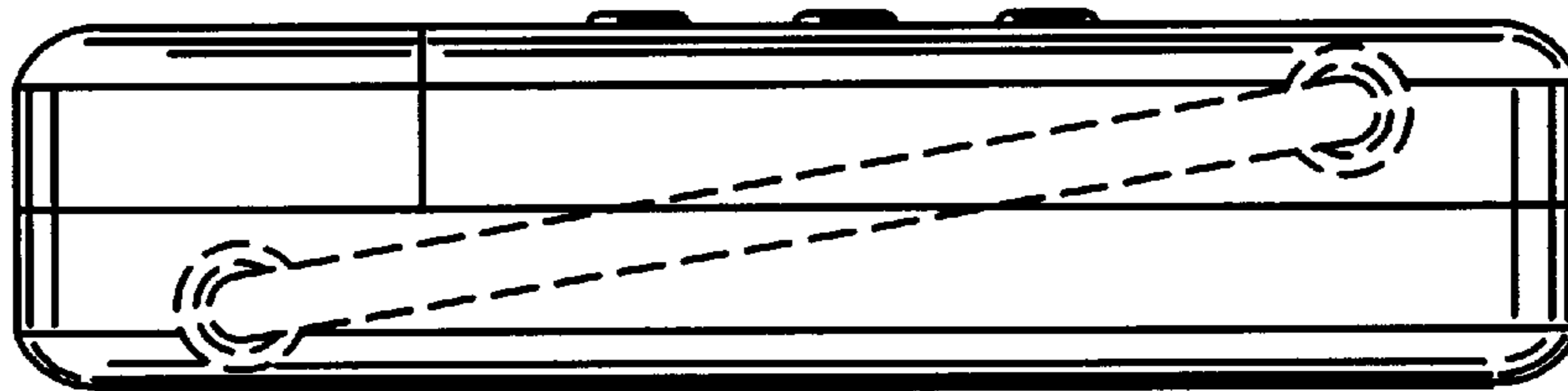


FIG. 5

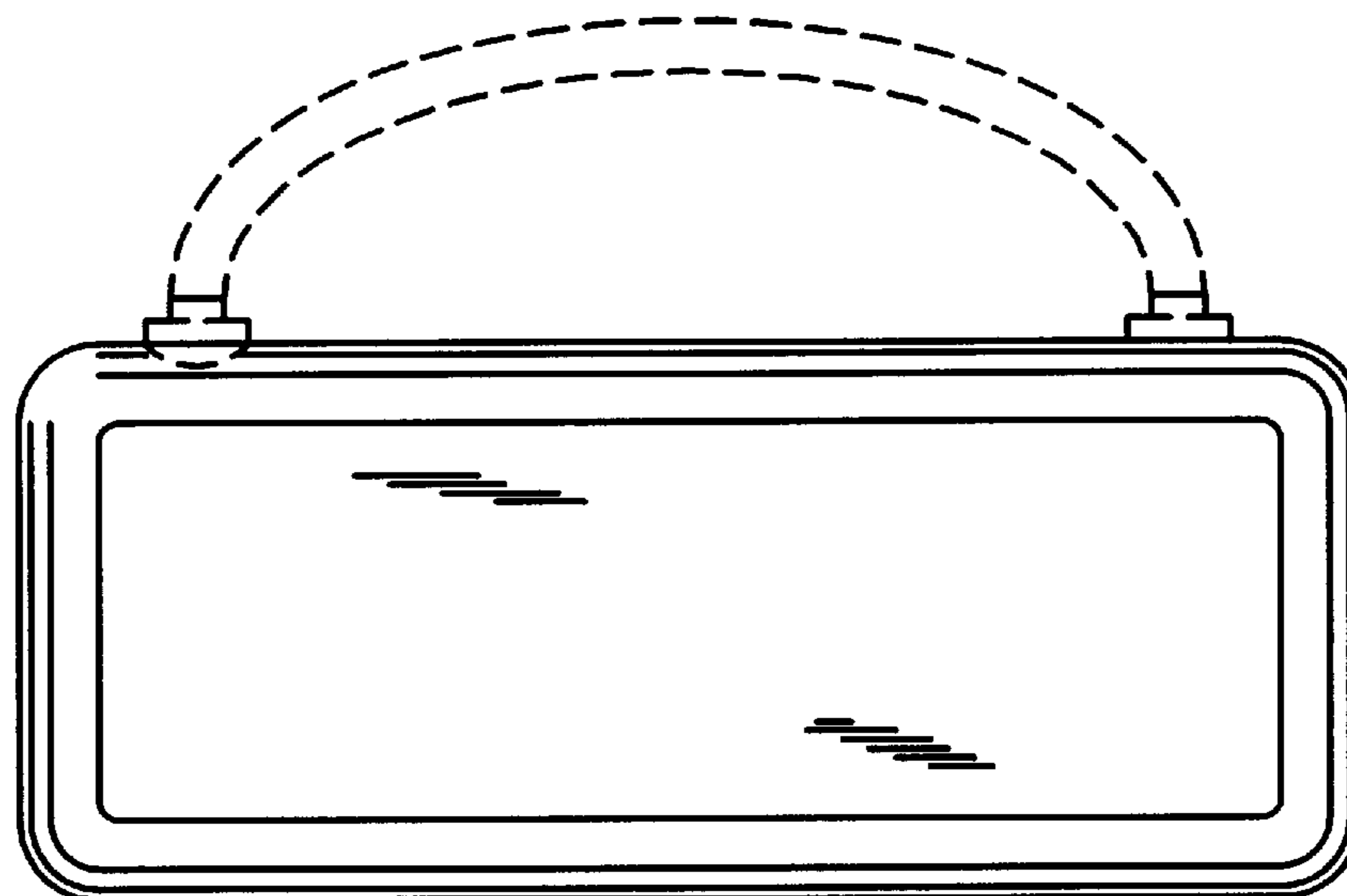
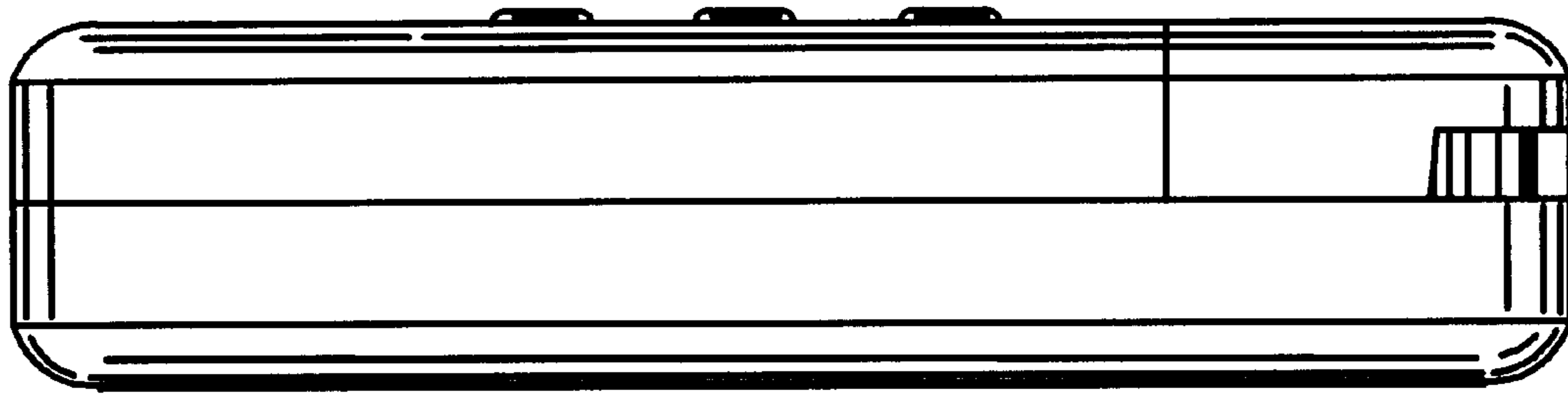
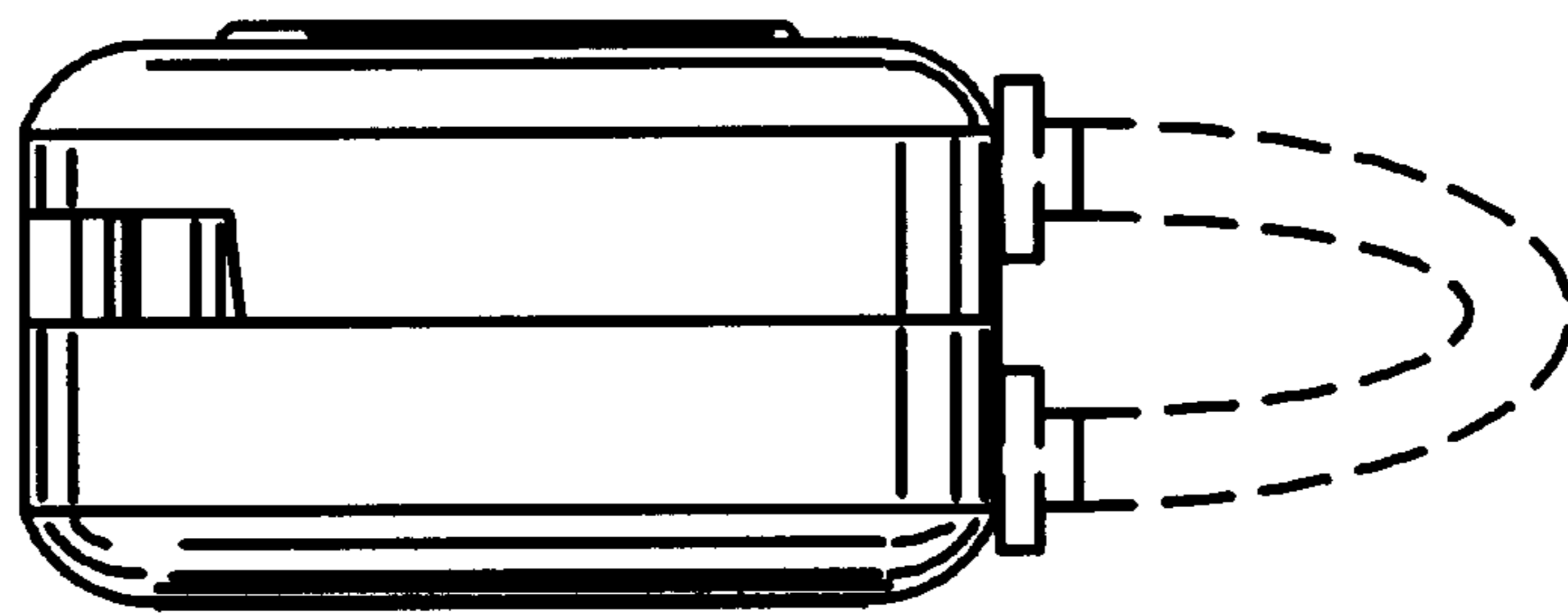


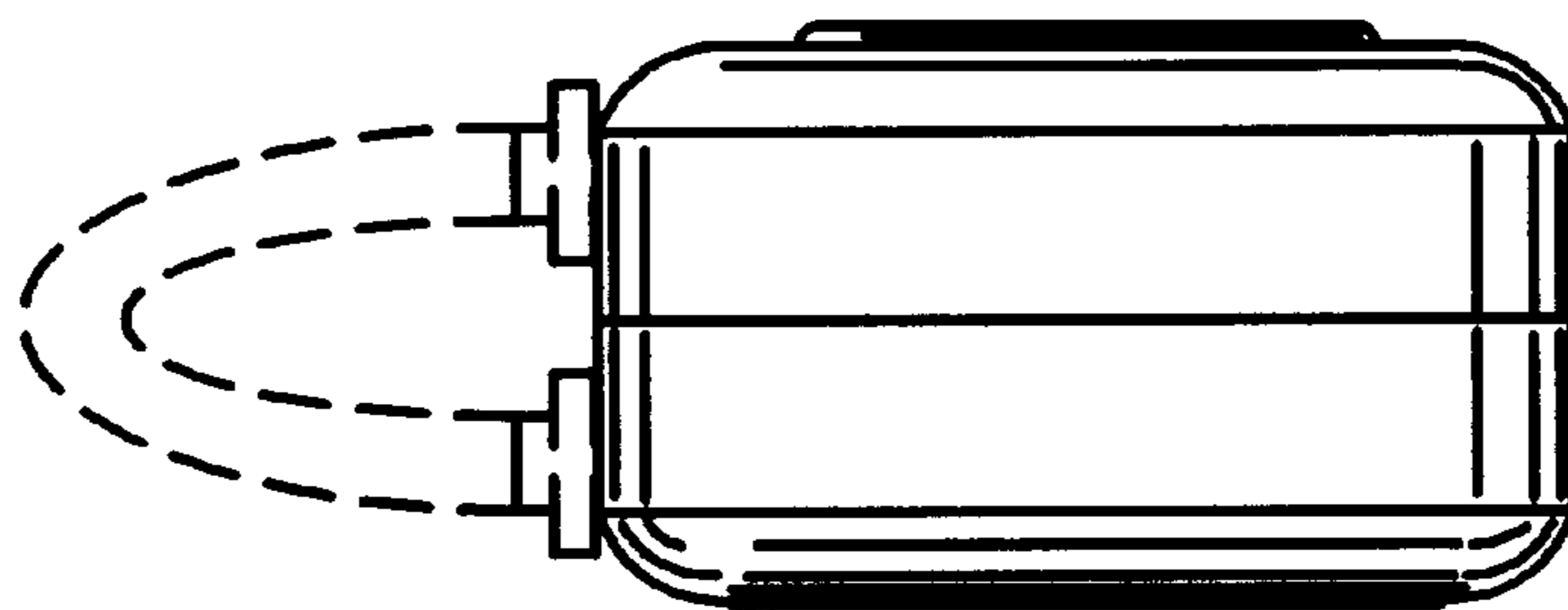
FIG. 6



*FIG. 7*



*FIG. 8*



*FIG. 9*