



US00D524816S

(12) **United States Design Patent**  
**Kimura et al.**

(10) **Patent No.:** **US D524,816 S**  
(45) **Date of Patent:** **\*\* Jul. 11, 2006**

- (54) **FRAME FOR AN ELECTRICAL CONNECTOR**
- (75) Inventors: **Akira Kimura**, Tokyo (JP); **Masayuki Katayanagi**, Tokyo (JP)
- (73) Assignee: **Japan Aviation Electronics Industry, Limited**, Tokyo (JP)
- (\*\*) Term: **14 Years**
- (21) Appl. No.: **29/226,333**
- (22) Filed: **Mar. 28, 2005**
- (30) **Foreign Application Priority Data**

Sep. 30, 2004 (JP) ..... 2004-033214

- (51) **LOC (8) Cl.** ..... **14-02**
- (52) **U.S. Cl.** ..... **D14/433**
- (58) **Field of Classification Search** ..... 439/630, 439/267, 260, 159, 152, 946, 566, 607, 79, 439/610, 188, 144; D14/432, 433, 435, 439, D14/440; D13/146-7, 133; 361/679, 818, 361/800, 816, 752-3, 685; 235/480-3, 441; 174/35 GC, 35 R  
See application file for complete search history.

(56) **References Cited**

**U.S. PATENT DOCUMENTS**

617,122	A	*	1/1899	Ray	.....	126/9 R
5,643,001	A	*	7/1997	Kaufman et al.	.....	439/159
5,871,365	A	*	2/1999	Kajiura	.....	439/159
6,015,311	A	*	1/2000	Benjamin et al.	.....	439/267
6,042,403	A	*	3/2000	Nishioka	.....	439/159
6,086,393	A	*	7/2000	Tung et al.	.....	439/159
6,095,868	A	*	8/2000	Hyland et al.	.....	439/630
6,102,723	A	*	8/2000	Kusakabe et al.	.....	439/267
D434,771	S	*	12/2000	Ohtani	.....	D14/436
6,179,638	B1	*	1/2001	Lim	.....	439/260
6,317,334	B1	*	11/2001	Abruzzini et al.	.....	361/797
6,332,791	B1	*	12/2001	Wang et al.	.....	439/159

6,377,472	B1	*	4/2002	Fan	.....	361/800
6,394,843	B1	*	5/2002	Chang et al.	.....	439/607
6,402,529	B1	*	6/2002	Saito et al.	.....	439/74
6,478,630	B1	*	11/2002	Hsu	.....	439/680
6,585,535	B1	*	7/2003	Murr et al.	.....	439/331
6,592,385	B1	*	7/2003	Chen	.....	439/159
6,629,860	B1	*	10/2003	Hu et al.	.....	439/607
D482,692	S	*	11/2003	Nishio et al.	.....	D14/433
2002/0132527	A1	*	9/2002	Ito et al.	.....	439/630
2003/0024983	A1	*	2/2003	Yeh	.....	235/441
2003/0064627	A1	*	4/2003	Ooya et al.	.....	439/630
2003/0109178	A1	*	6/2003	Ohashi	.....	439/630
2003/0199199	A1	*	10/2003	Machihara et al.	.....	439/630
2004/0029446	A1	*	2/2004	Ooya et al.	.....	439/630

\* cited by examiner

*Primary Examiner*—M. H. Tung  
*Assistant Examiner*—Susan Moon Lee  
(74) *Attorney, Agent, or Firm*—Collard & Roe, P.C.

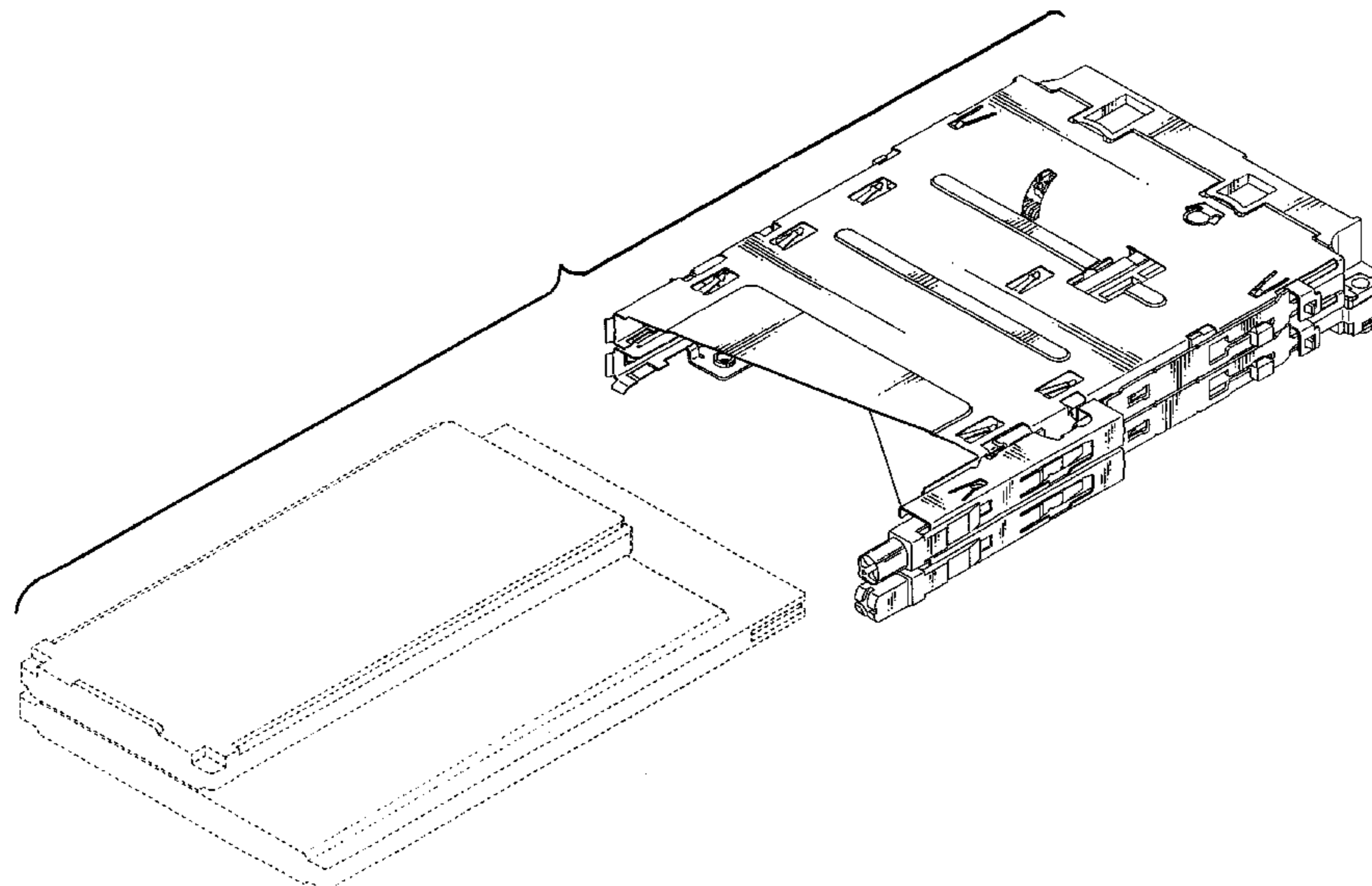
(57) **CLAIM**

The ornamental design for a frame for an electrical connector, as shown and described.

**DESCRIPTION**

FIG. 1 is a front elevational view of a frame for an electrical connector;  
 FIG. 2 is a rear elevational view thereof;  
 FIG. 3 is a top plan view thereof;  
 FIG. 4 is a bottom plan view thereof;  
 FIG. 5 is a right side elevational view thereof;  
 FIG. 6 is a left side elevational view thereof;  
 FIG. 7 is a front, top and right side perspective view thereof;  
 FIG. 8 is a front, bottom, and left side perspective view thereof; and,  
 FIG. 9 is an exploded front, top perspective view of the present invention.  
 The elements in broken line are for illustrative purposes only and form no part of the claimed design.

**1 Claim, 7 Drawing Sheets**



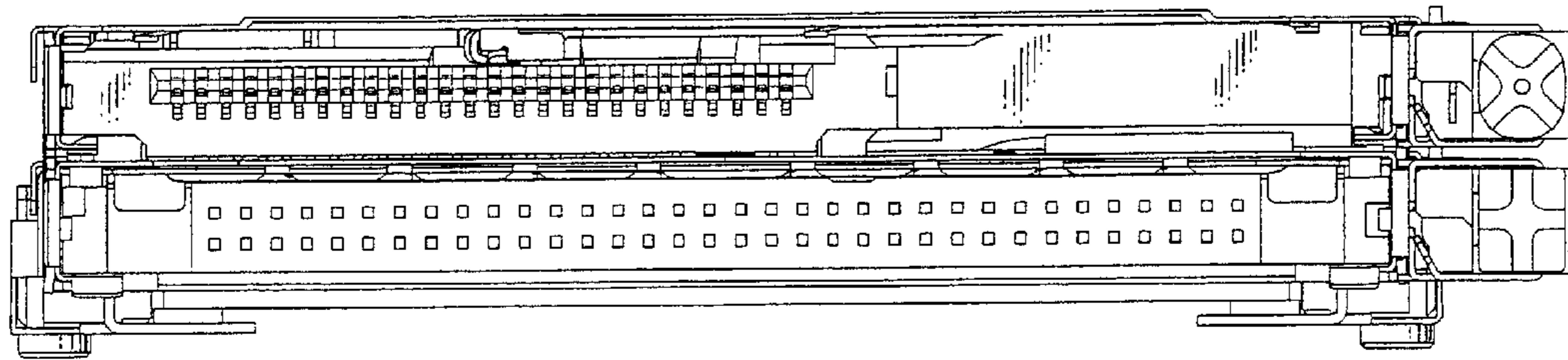


FIG. 1

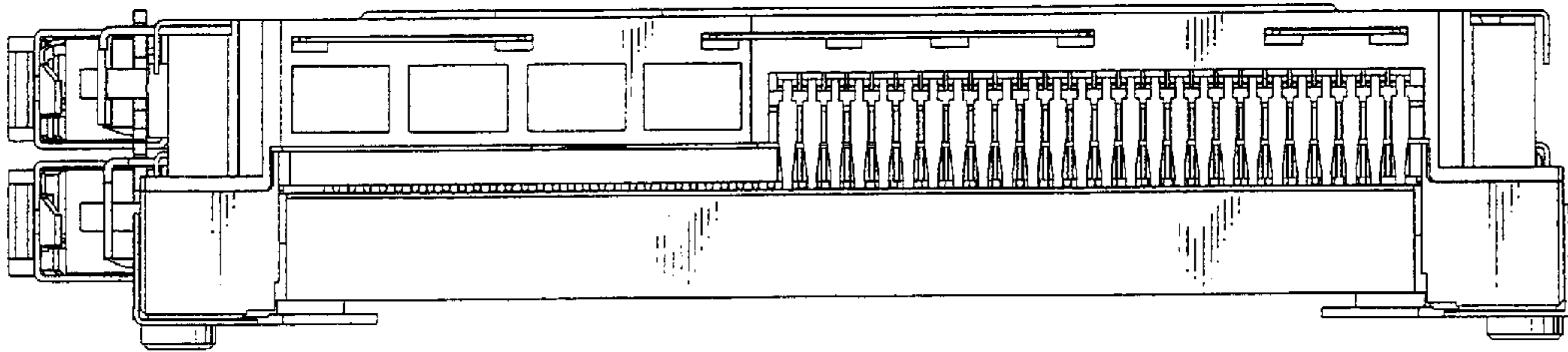


FIG. 2

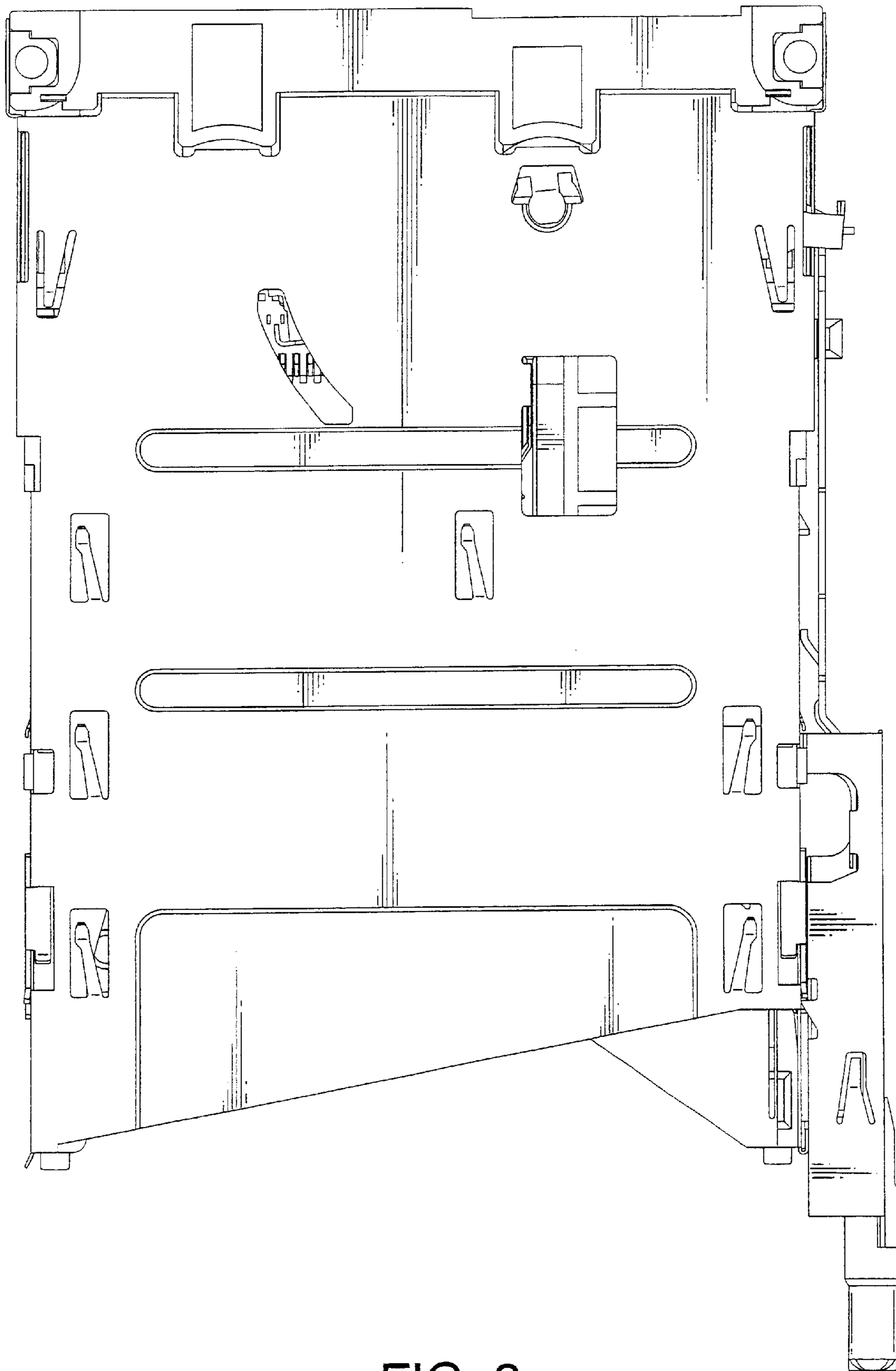


FIG. 3

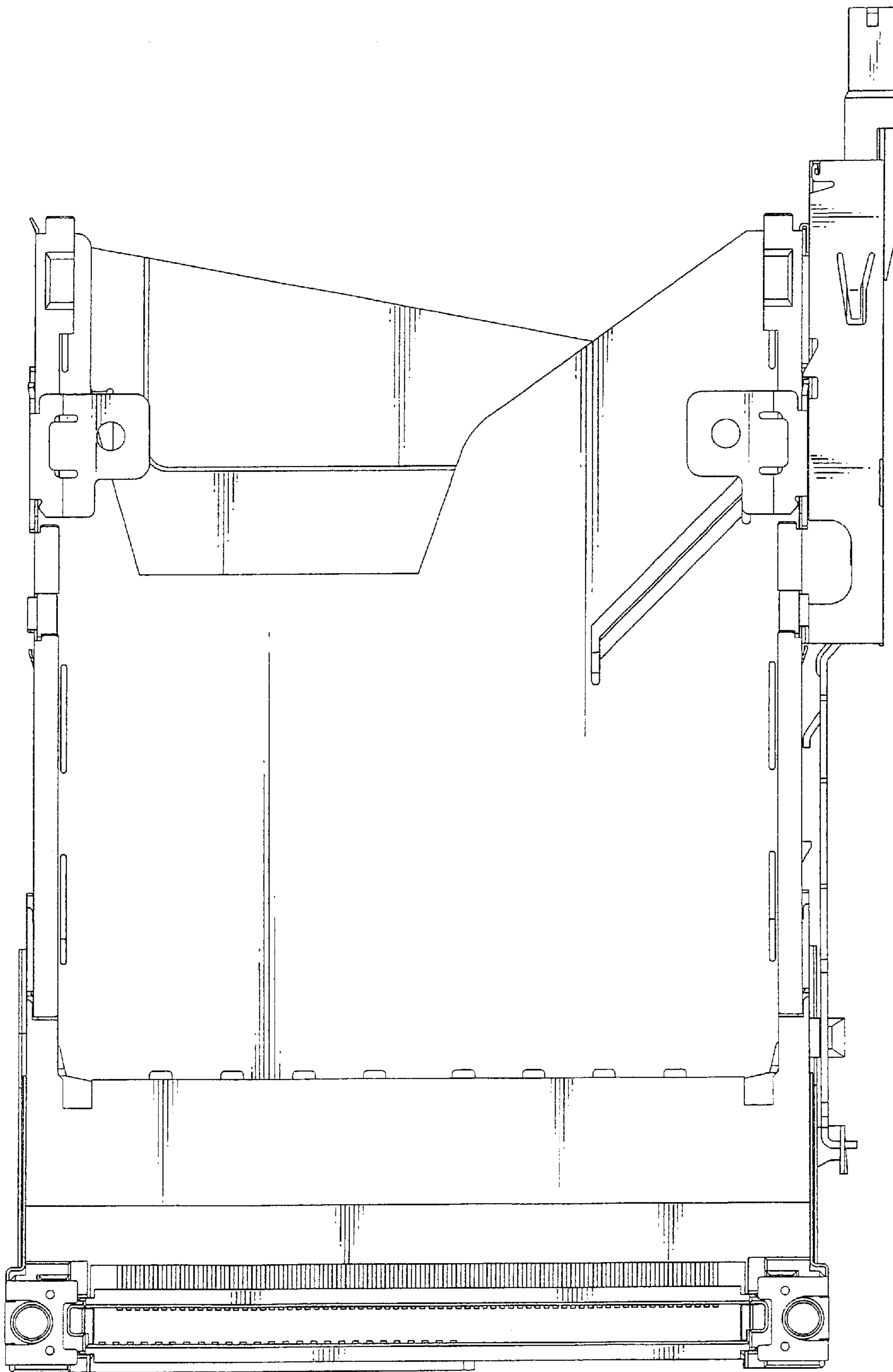


FIG. 4

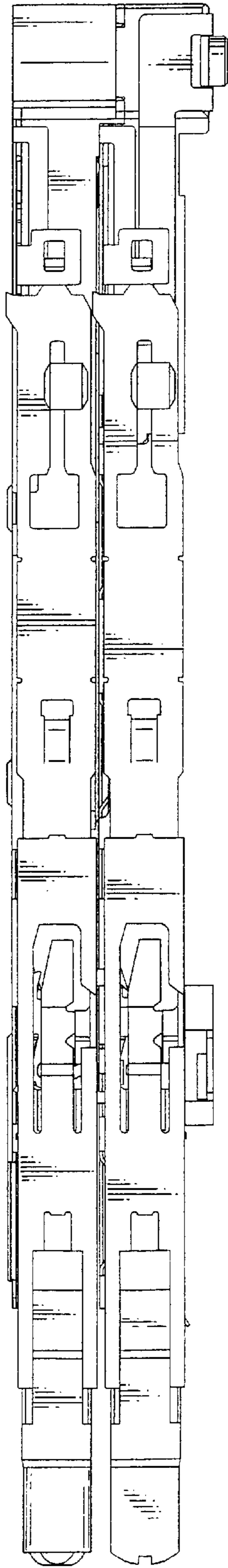


FIG. 5

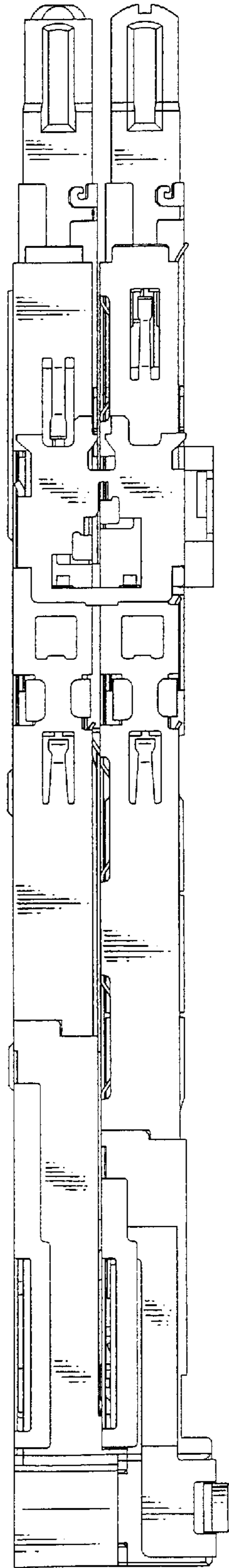


FIG. 6

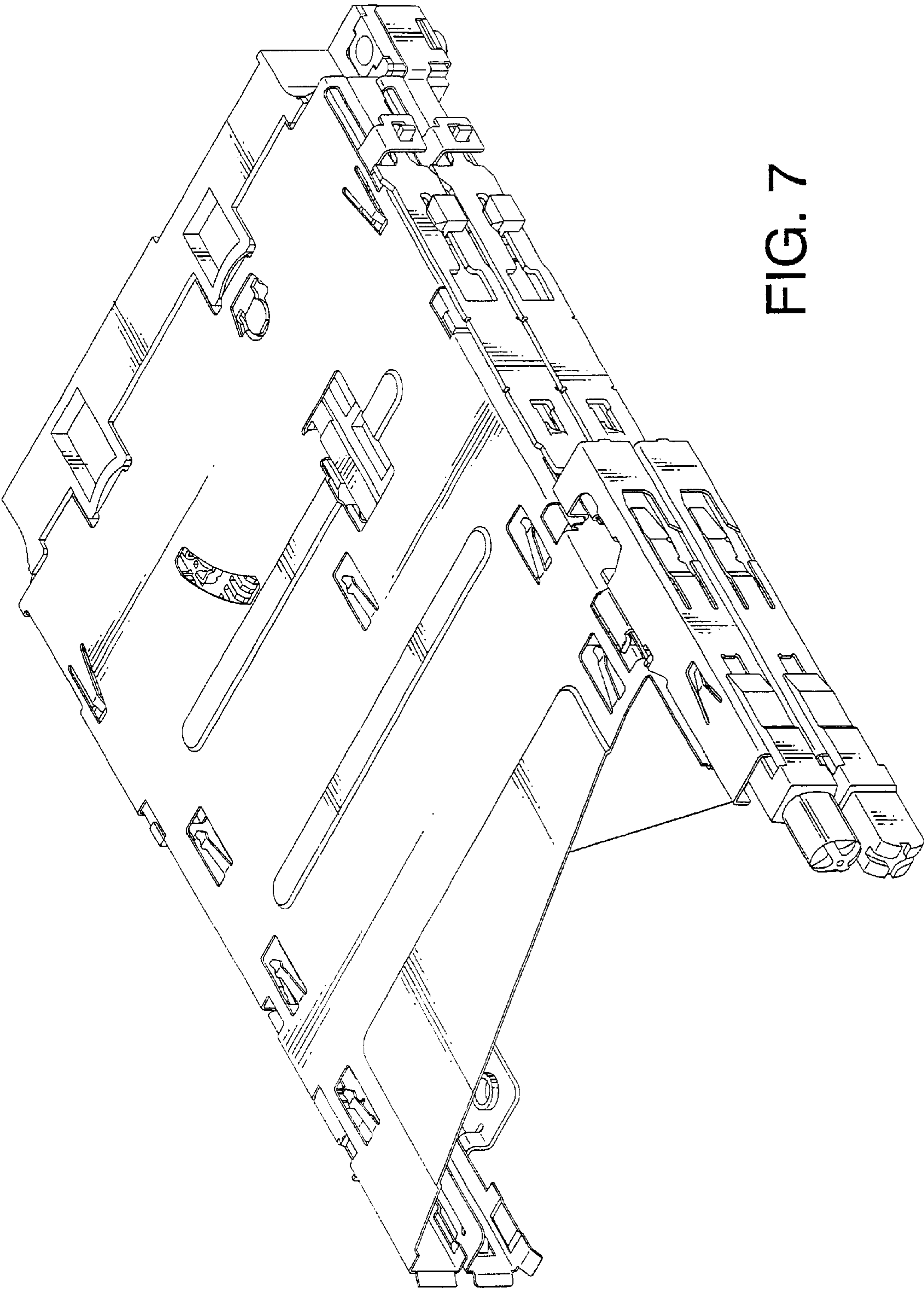


FIG. 7

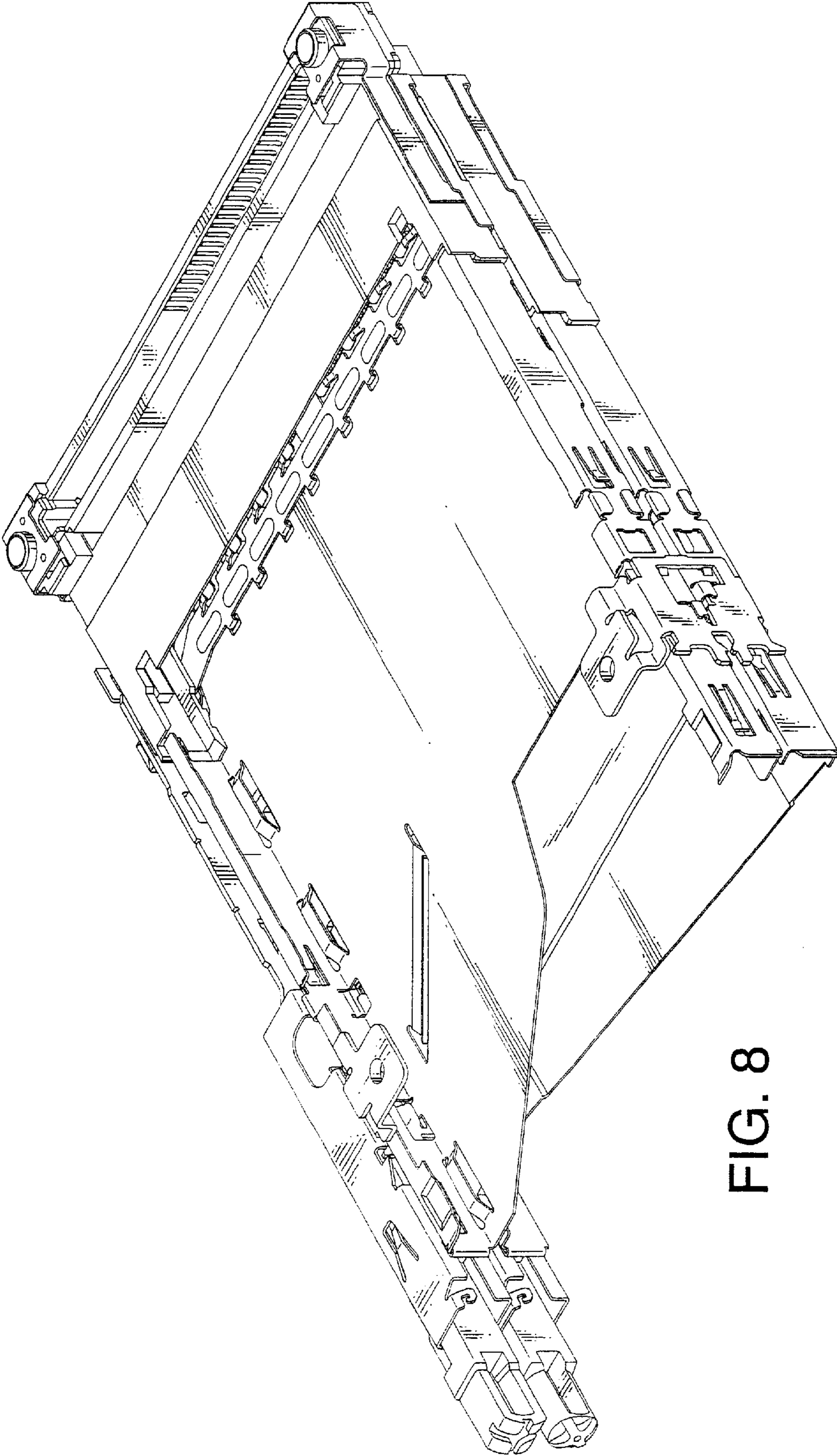


FIG. 8

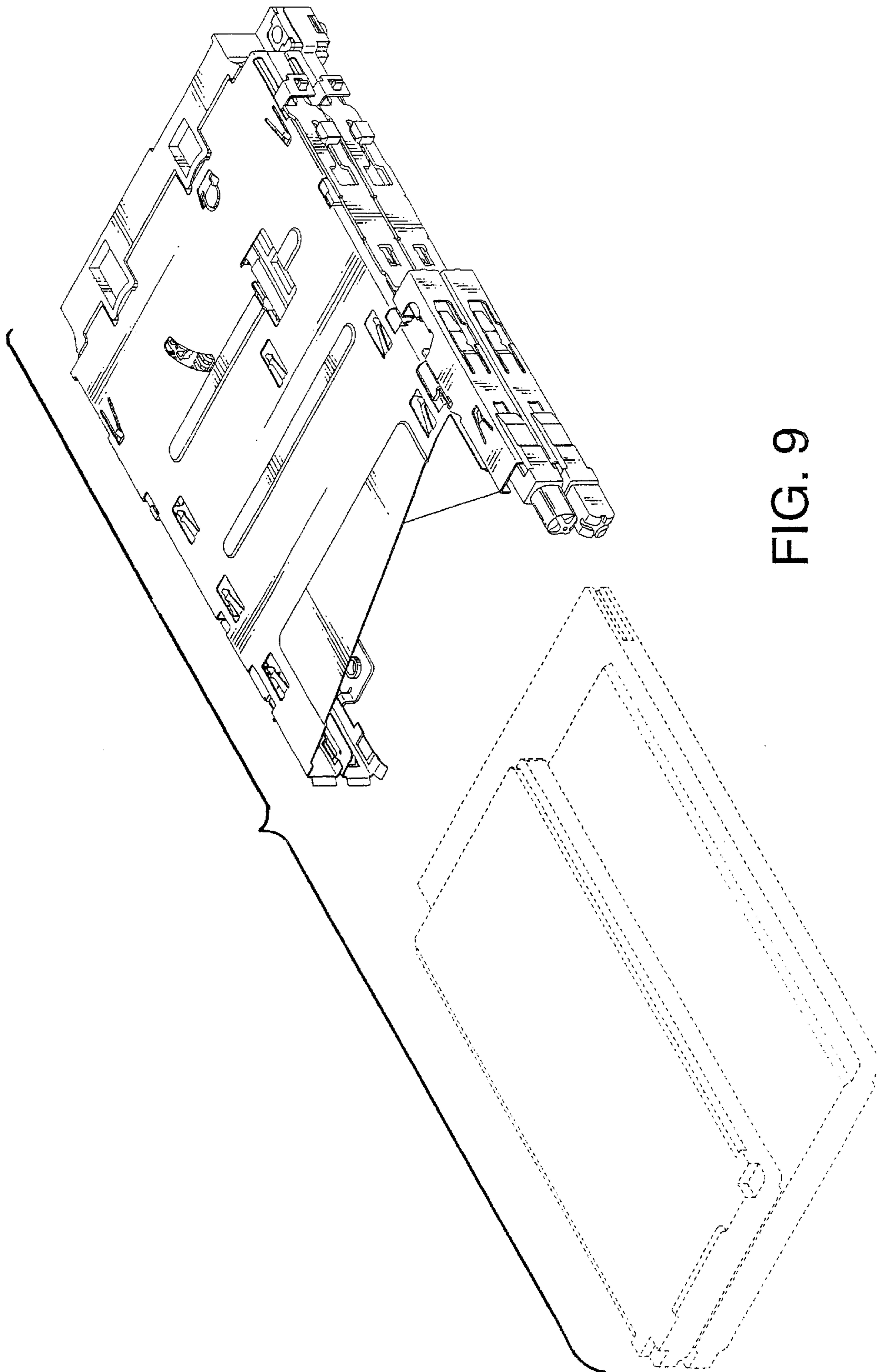


FIG. 9