

US00D524814S

(12) **United States Design Patent**
Kent et al.

(10) **Patent No.:** **US D524,814 S**
(45) **Date of Patent:** **** Jul. 11, 2006**

(54) **LABEL AREA OF FLASH MEMORY DRIVE**

(75) Inventors: **Michael Kent**, Cumberland, RI (US);
William D. Hester, Meriden, CT (US)

(73) Assignee: **Staples the Office Superstore, LLC**,
Framingham, MA (US)

(**) Term: **14 Years**

(21) Appl. No.: **29/220,276**

(22) Filed: **Dec. 28, 2004**

(51) **LOC (8) Cl.** **14-02**

(52) **U.S. Cl.** **D14/433**

(58) **Field of Classification Search** D14/356,
D14/242, 436, 433; 360/97.01; 361/685,
361/686, 752, 737; 439/135, 144, 139-141,
439/147, 136, 638, 518; 365/51, 63, 131;
710/52, 300; D20/28; D19/12

See application file for complete search history.

(56) **References Cited**

U.S. PATENT DOCUMENTS

2,552,697 A * 5/1951 Tursky 401/59
D371,563 S * 7/1996 Chapman et al. D16/218
D382,911 S * 8/1997 Magner et al. D20/22
D436,879 S * 1/2001 Deguchi et al. D10/104
6,456,500 B1 * 9/2002 Chen 361/752

D470,499 S * 2/2003 Salazar et al. D14/436
6,522,534 B1 * 2/2003 Wu 361/686
D471,516 S * 3/2003 Tsay et al. D13/107
D475,996 S * 6/2003 Skulley D14/240
D478,911 S * 8/2003 Chen D14/433
2002/0177362 A1 * 11/2002 Chang 439/638
2003/0099090 A1 * 5/2003 Su 361/685
2003/0103369 A1 * 6/2003 Wu 365/131
2003/0137859 A1 * 7/2003 Sugawara 365/51

* cited by examiner

Primary Examiner—Alan P. Douglas

Assistant Examiner—Susan Moon Lee

(74) *Attorney, Agent, or Firm*—Wolf, Greenfield & Sacks,
P.C.

(57) **CLAIM**

The ornamental design for a label area of flash memory drive, as shown and described.

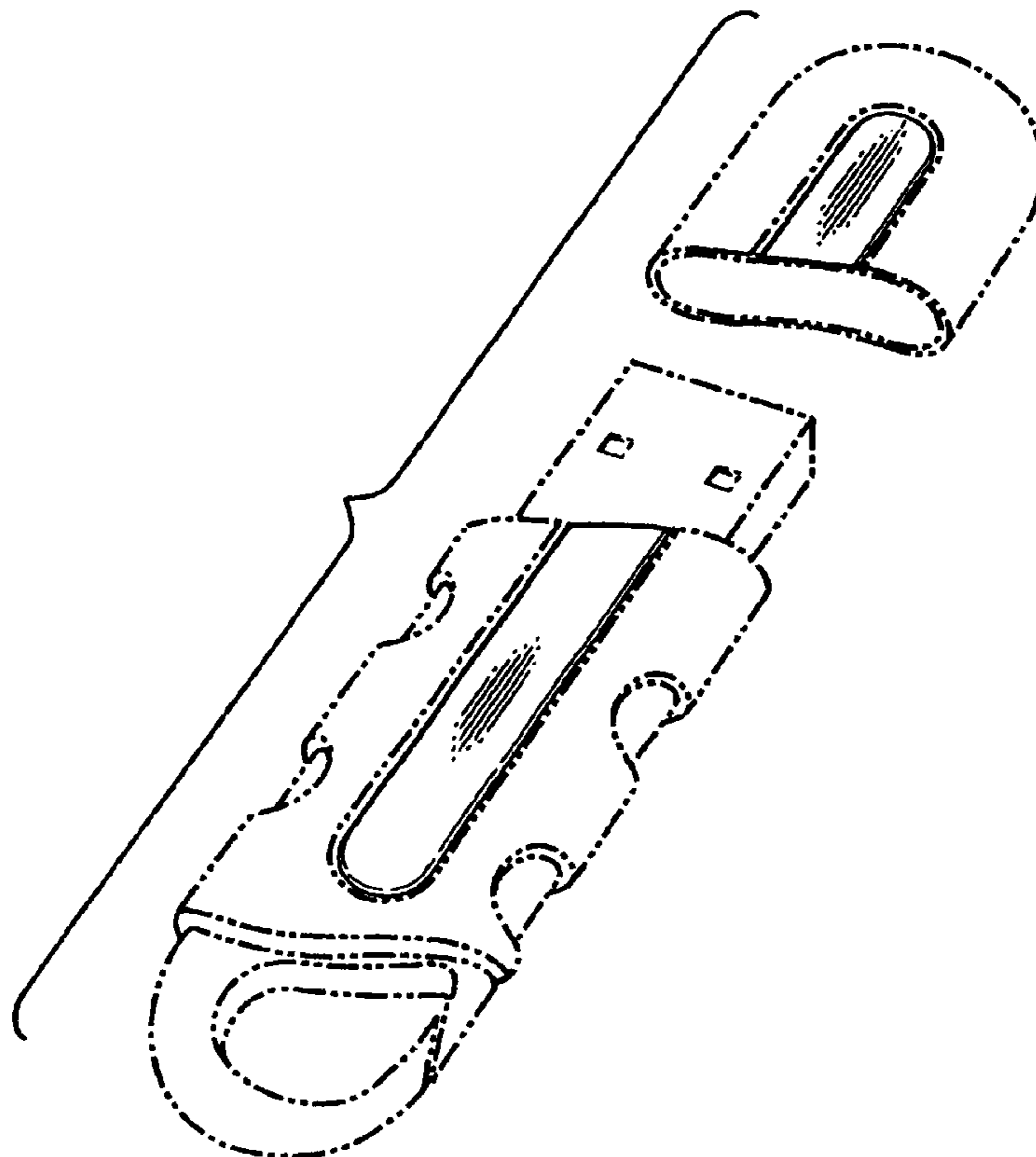
DESCRIPTION

FIG. 1 is a side, top, perspective view of a label area of flash memory drive with housing, cap housing and clip portion thereof shown in phantom lines;

FIG. 2 is a top view thereof, the bottom view being a mirror image thereof; and,

FIG. 3 is a side, top, perspective exploded view of the label area of a computer insert with one end cap removed.

1 Claim, 1 Drawing Sheet



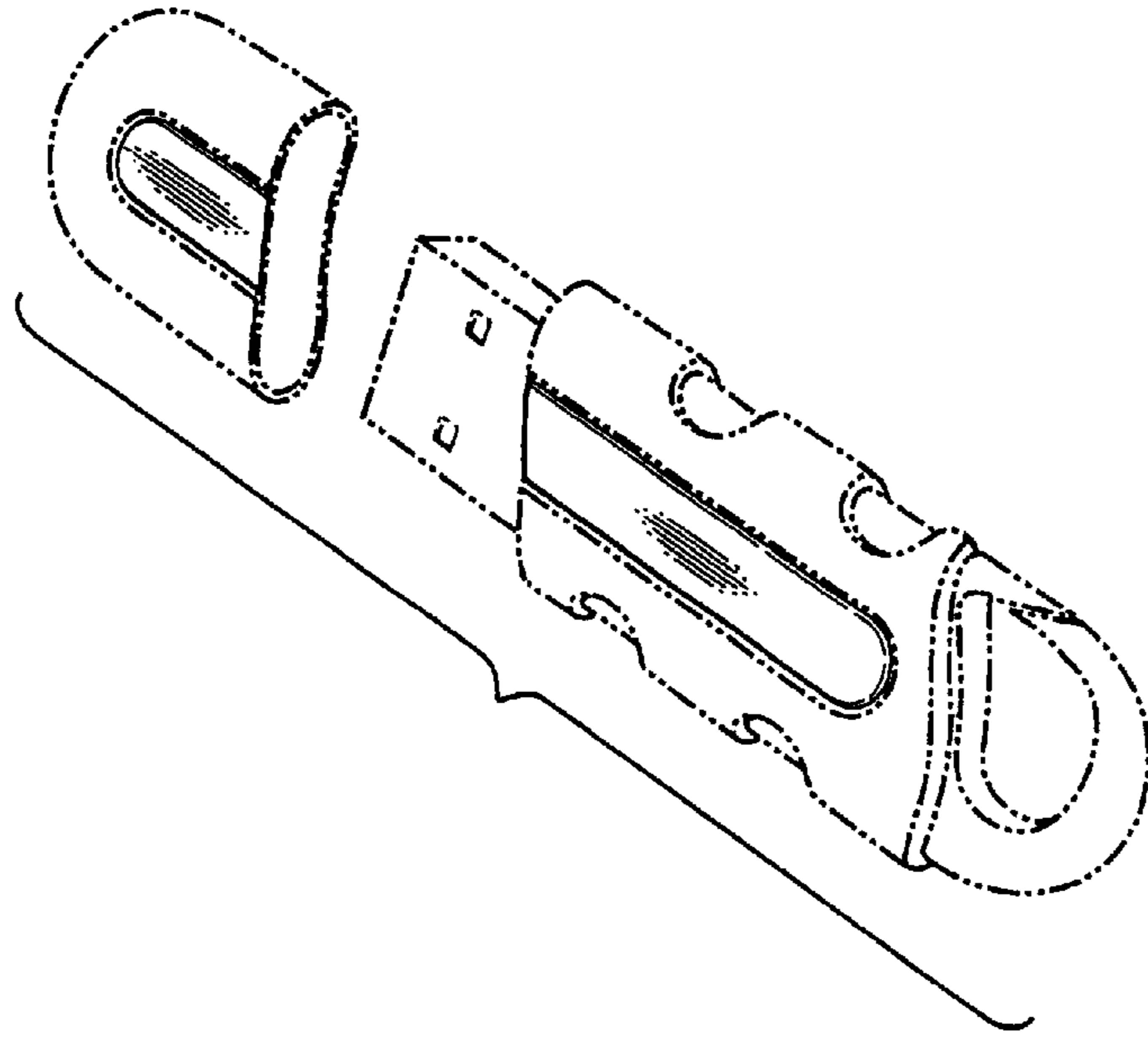


FIG. 1

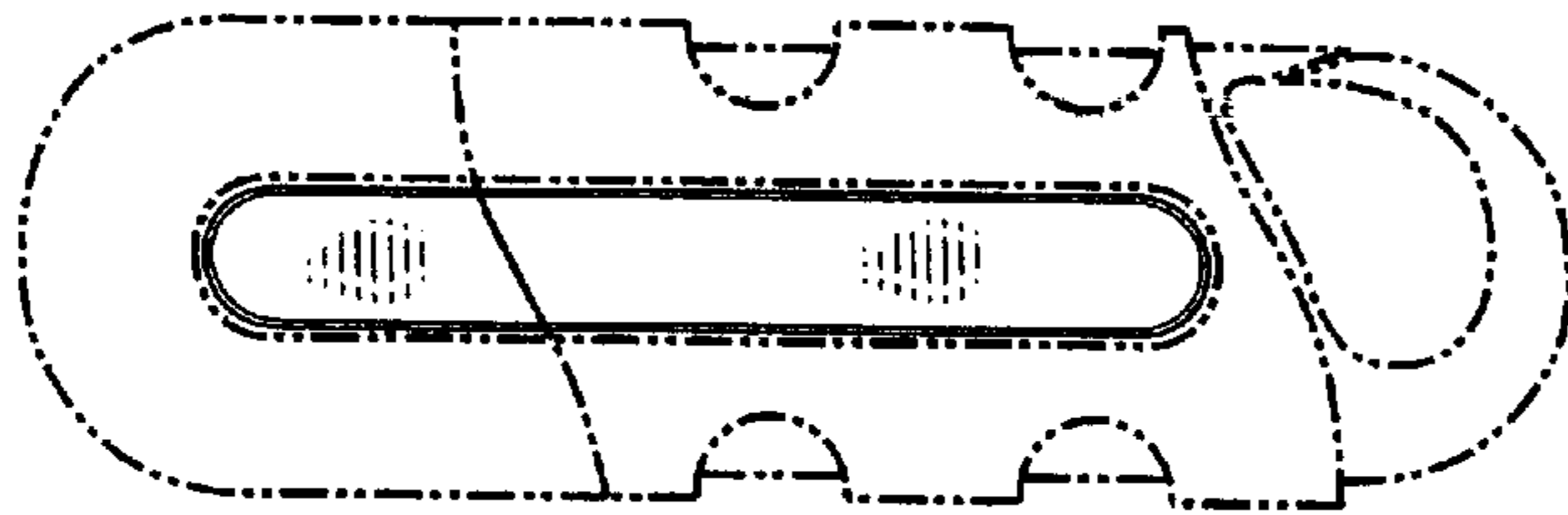


FIG. 2

FIG. 3

