



US00D524810S

(12) **United States Design Patent**
Noda et al.

(10) **Patent No.: US D524,810 S**
(45) **Date of Patent: ** *Jul. 11, 2006**

(54) **COMPUTER**

(75) Inventors: **Hiroyuki Noda**, Musashino (JP); **Yoko Sato**, Fuchu (JP); **Tadahiro Yamaguchi**, Tama (JP); **Koji Suso**, Kokubunji (JP); **Kazuyuki Fukushima**, Sagamihara (JP); **Shinichiro Aikawa**, Ebina (JP)

(73) Assignee: **Hitachi, Ltd.**, Tokyo (JP)

(*) Notice: This patent is subject to a terminal disclaimer.

(**) Term: **14 Years**

(21) Appl. No.: **29/218,115**

(22) Filed: **Nov. 29, 2004**

(30) **Foreign Application Priority Data**

Sep. 29, 2004 (JP) 2004-029366

(51) **LOC (8) Cl.** **14-02**

(52) **U.S. Cl.** **D14/349**

(58) **Field of Classification Search** D14/349-356;
D13/162, 184, 199; 312/223.2; 361/680-686,
361/690-696; 369/34.01, 36.01
See application file for complete search history.

(56) **References Cited**

U.S. PATENT DOCUMENTS

D369,030 S * 4/1996 Lechleiter et al. D6/396

5,934,774 A * 8/1999 Wu et al. 312/223.2
5,992,955 A * 11/1999 Yang 312/265.6
D452,239 S * 12/2001 Kitayama et al. D14/349

* cited by examiner

Primary Examiner—Freda S. Nunn
(74) *Attorney, Agent, or Firm*—Antonelli, Terry, Stout and Kraus, LLP

(57) **CLAIM**

We claim the ornamental design for a computer, as shown and described.

DESCRIPTION

FIG. 1 is a front, top and right side perspective view of a computer showing our new design;

FIG. 2 is a front elevational view thereof;

FIG. 3 is a rear elevational view thereof;

FIG. 4 is a right side elevational view thereof;

FIG. 5 is a left side elevational view thereof;

FIG. 6 is a top plan elevational view thereof;

FIG. 7 is a bottom plan elevational view thereof; and,

FIG. 8 is a front elevational view thereof, shown in the condition which turn on electricity and open the cover.

1 Claim, 6 Drawing Sheets

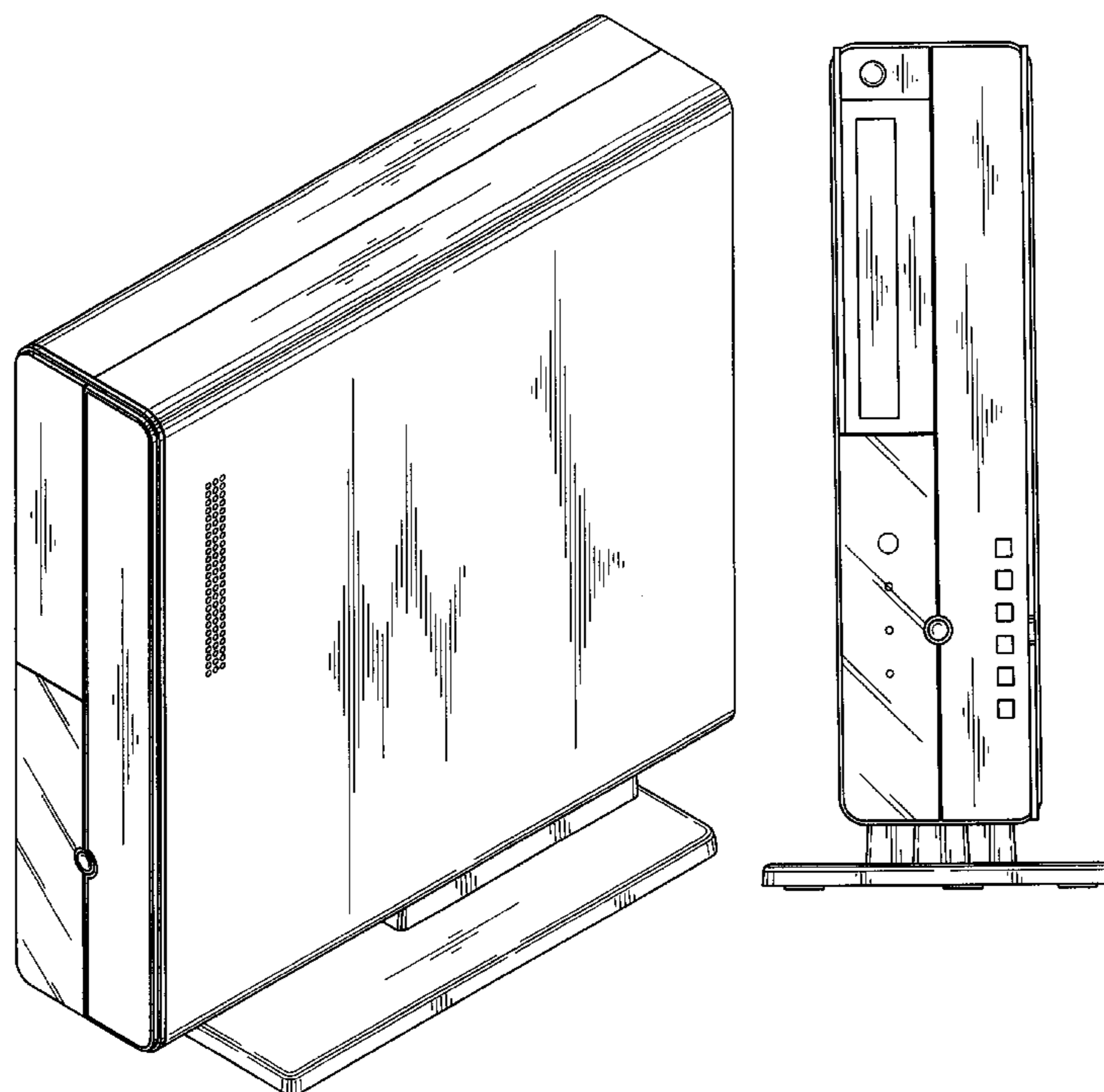


FIG. 1

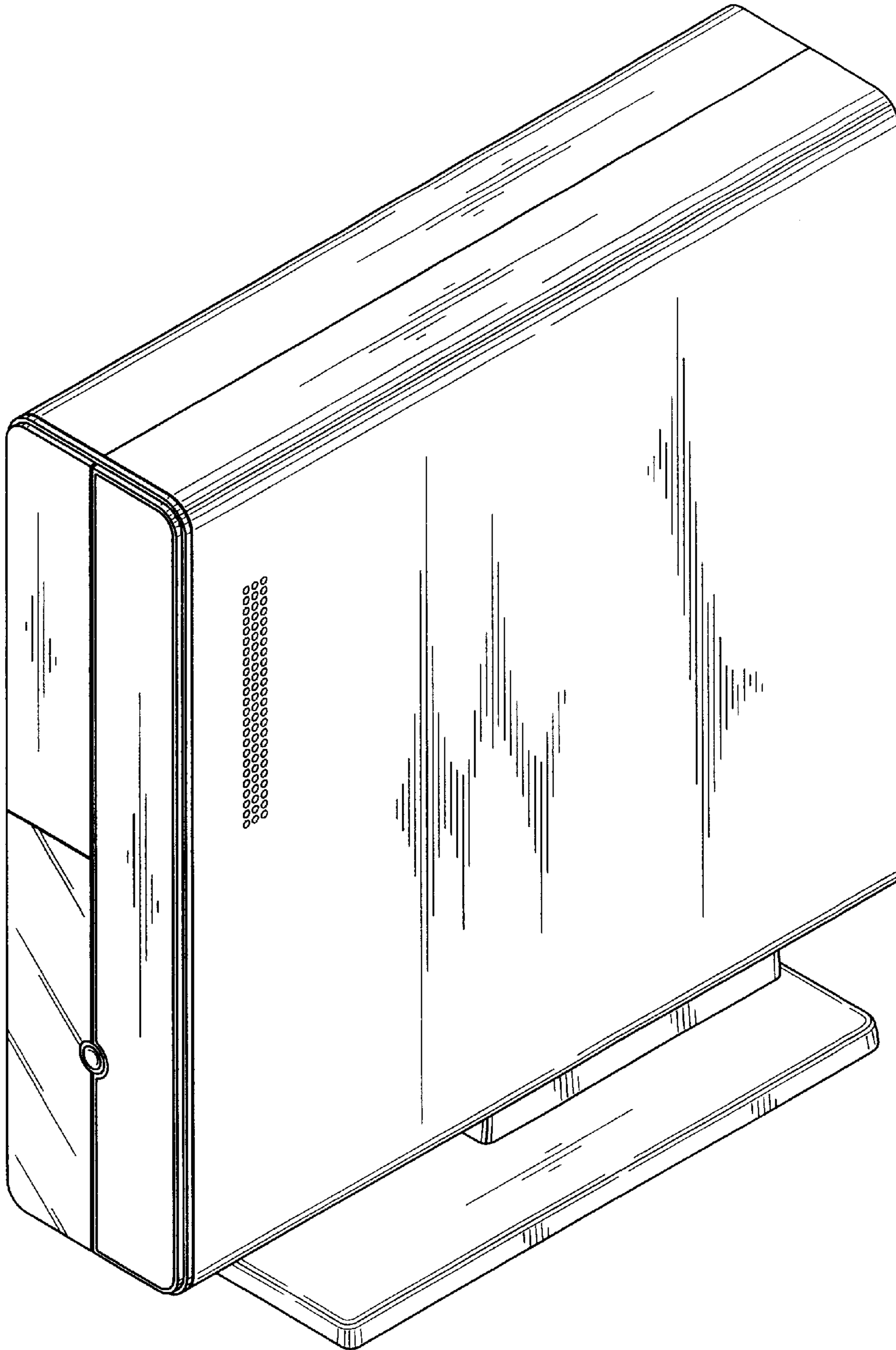


FIG. 2

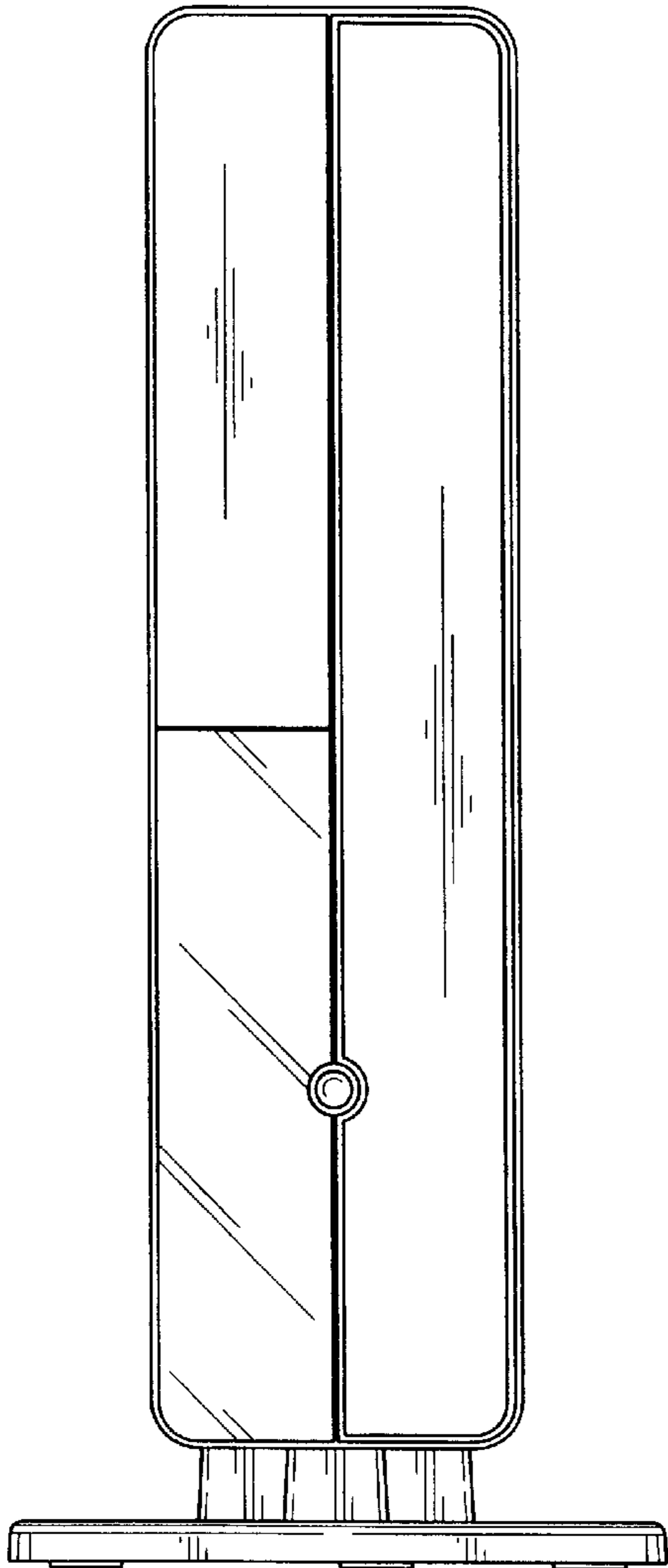


FIG. 3

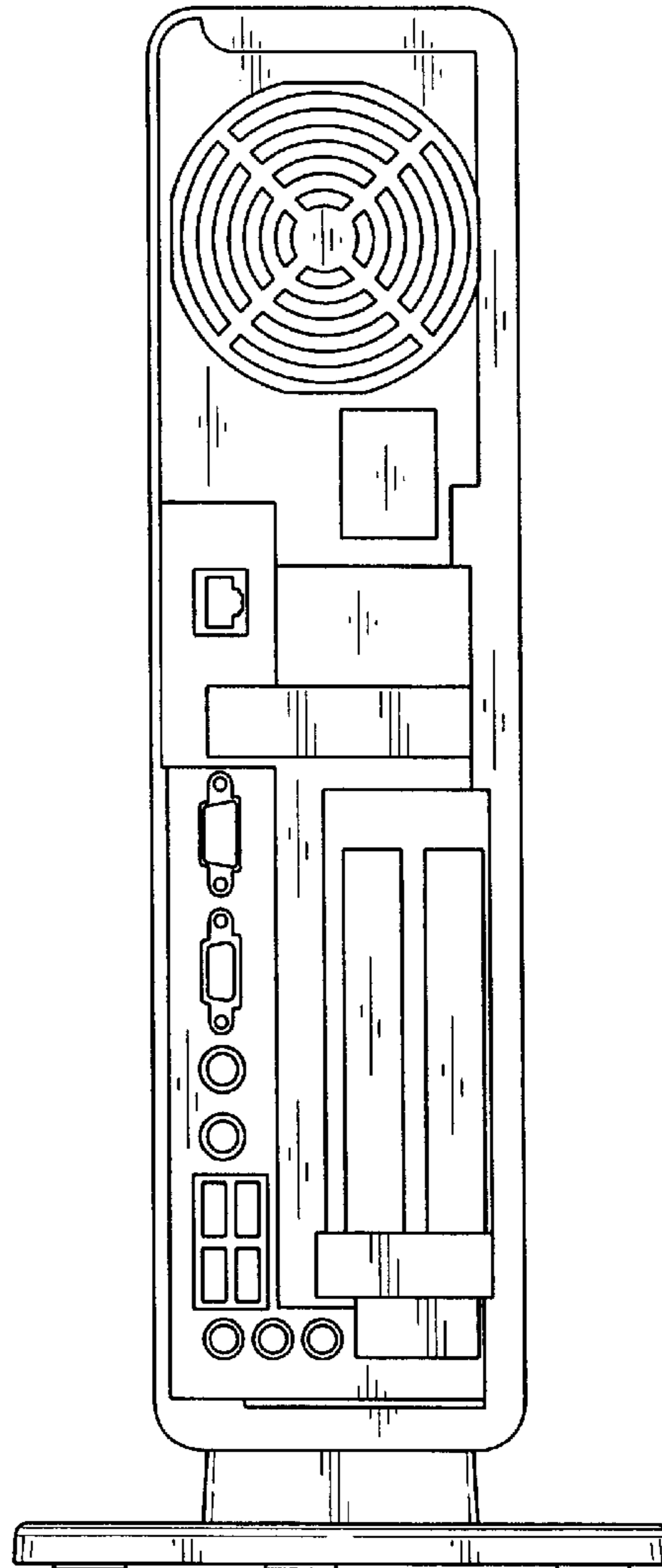


FIG. 4

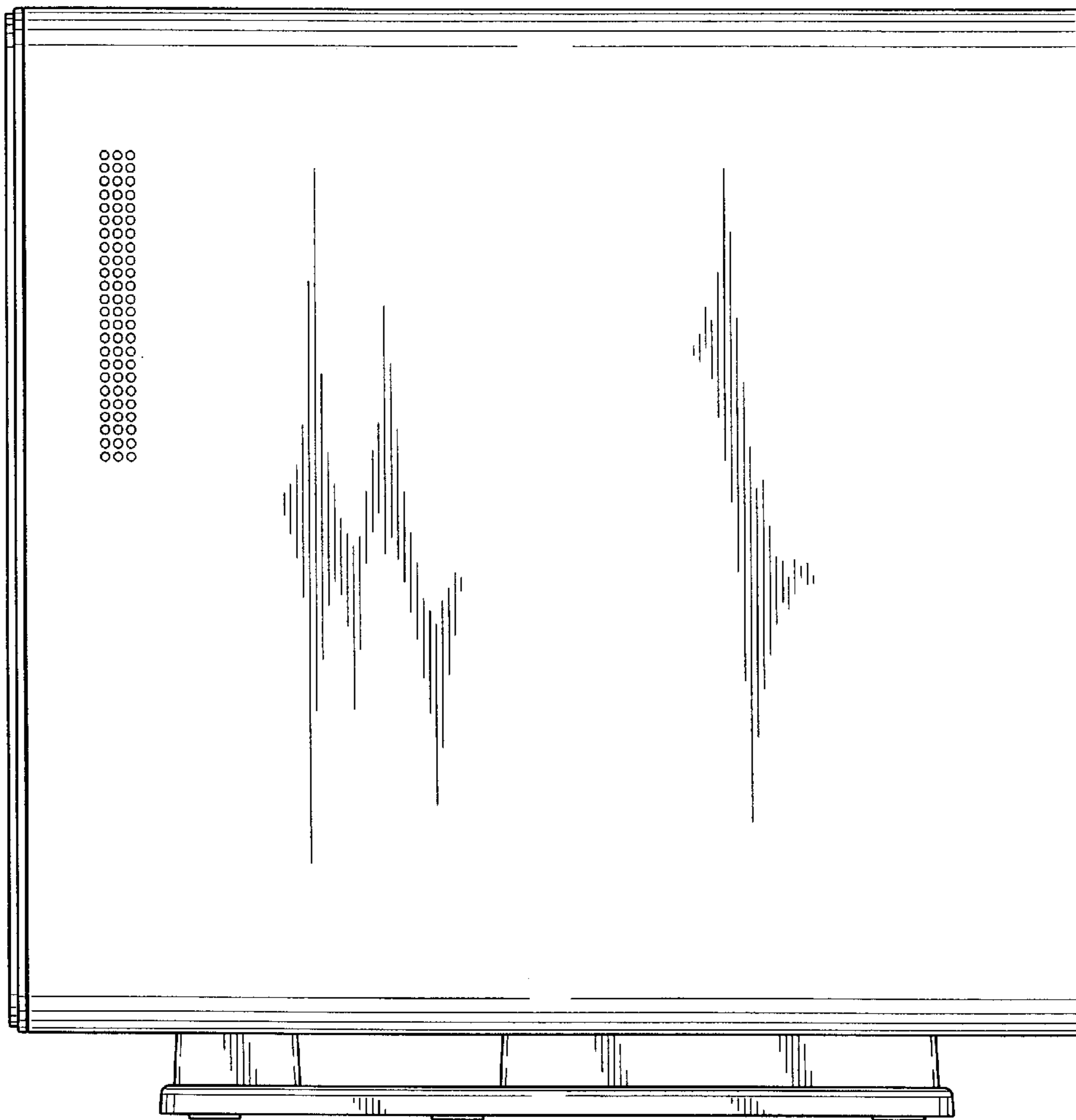


FIG. 5

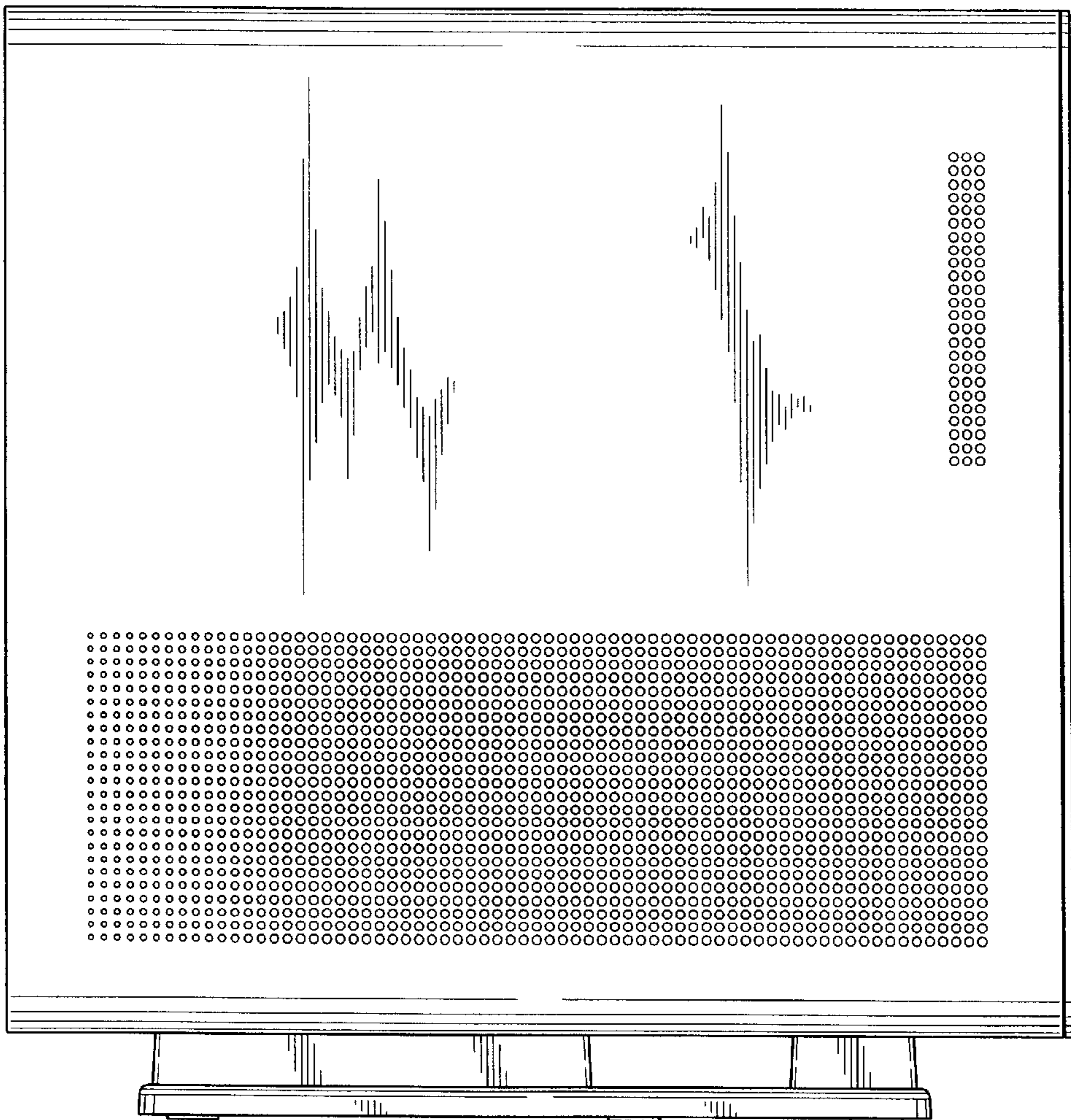


FIG. 6

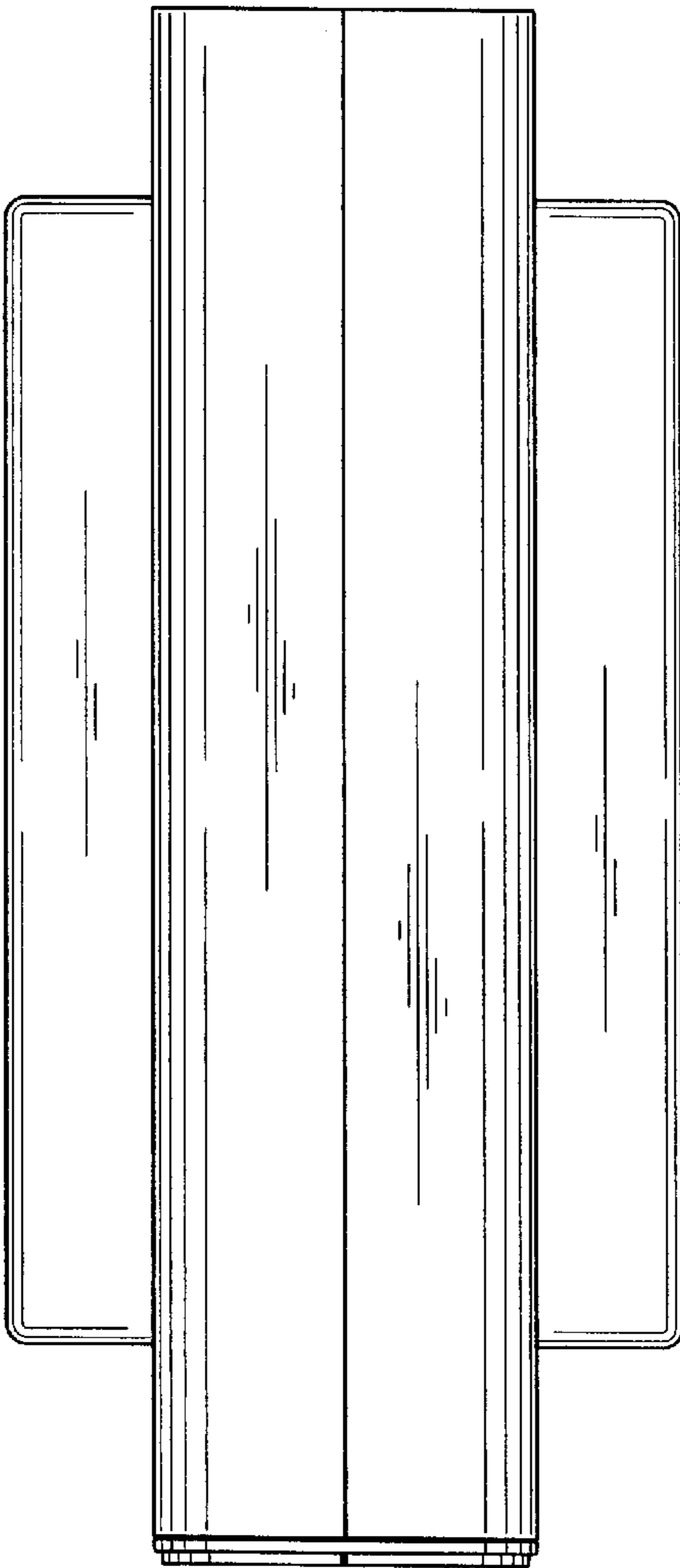


FIG. 7

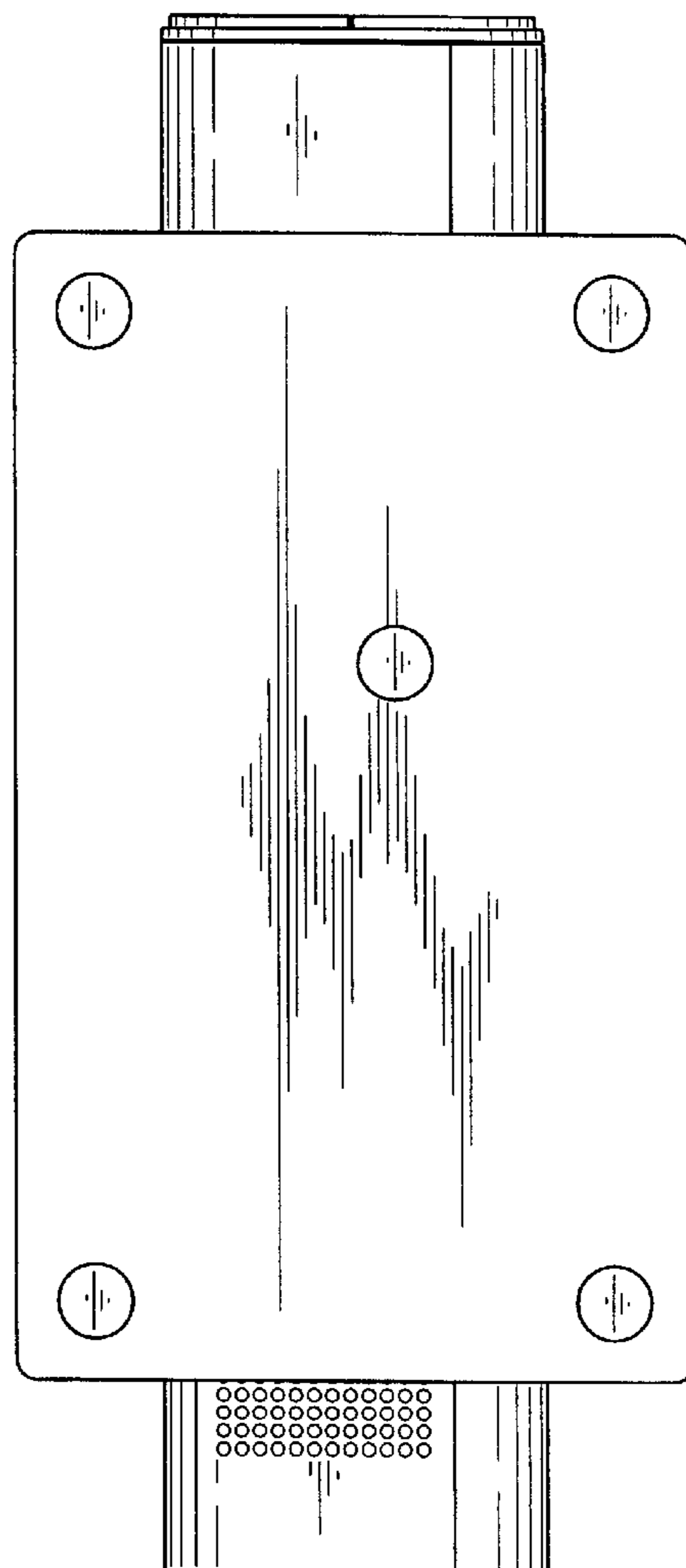


FIG. 8

