



US00D524807S

(12) **United States Design Patent**  
**Topinka**

(10) **Patent No.:** **US D524,807 S**

(45) **Date of Patent:** **\*\* Jul. 11, 2006**

(54) **CELLULAR TELEPHONE HOLDER**

(75) Inventor: **Andrew Topinka**, Wayne, NJ (US)

(73) Assignee: **Technical Group Services, Inc.**

(\*\*) Term: **14 Years**

(21) Appl. No.: **29/199,874**

(22) Filed: **Feb. 20, 2004**

(51) **LOC (8) Cl.** ..... **14-03**

(52) **U.S. Cl.** ..... **D14/253**

(58) **Field of Classification Search** ..... D14/149,  
D14/147-148, 251-253, 434, 224, 453, 447;  
379/440, 454, 455, 446, 430, 419, 434-436;  
D13/107, 108; 320/114, 115; 381/374, 384;  
D21/517

See application file for complete search history.

(56) **References Cited**

**U.S. PATENT DOCUMENTS**

D237,893 S	*	12/1975	Wennestrom	.....	D14/137
D291,309 S	*	8/1987	Kaufman	.....	D14/149
5,088,673 A	*	2/1992	Chandler	.....	248/311.2
5,230,016 A	*	7/1993	Yasuda	.....	455/573
D342,718 S	*	12/1993	Mackay	.....	D13/108
D361,017 S	*	8/1995	Keven	.....	D7/619.1
D377,091 S	*	12/1996	Scott, Sr.	.....	D24/121
D397,915 S	*	9/1998	McNaughton	.....	D7/619.1
D399,244 S	*	10/1998	Coveley	.....	D18/12
D402,666 S	*	12/1998	Golder	.....	D14/253
D407,408 S	*	3/1999	Hoff	.....	D14/253
5,903,133 A	*	5/1999	Amero et al.	.....	320/107
D420,974 S	*	2/2000	Minagawa	.....	D13/108
6,130,521 A	*	10/2000	Collins et al.	.....	320/115
D433,991 S	*	11/2000	Buchin et al.	.....	D13/108
6,246,766 B1	*	6/2001	Walsh	.....	379/455
D451,504 S	*	12/2001	Edwards	.....	D14/253

D452,236 S	*	12/2001	Kohli	.....	D14/253
D455,397 S	*	4/2002	Weiner et al.	.....	D13/108
6,396,925 B1	*	5/2002	Close	.....	379/446
D460,962 S	*	7/2002	Peiker	.....	D14/253
D466,700 S	*	12/2002	Richmond et al.	.....	D4/199
D469,073 S	*	1/2003	Muenschler et al.	.....	D14/149
D471,578 S	*	3/2003	Okuley	.....	D16/242
D474,737 S	*	5/2003	Yoshida	.....	D13/108
D475,044 S	*	5/2003	Kohli et al.	.....	D14/253
D478,073 S	*	8/2003	Topinka	.....	D14/253
D501,118 S	*	1/2005	Schrock	.....	D7/619.1
2004/0086112 A1	*	5/2004	Hilger et al.	.....	379/455

**FOREIGN PATENT DOCUMENTS**

DE	199 44 064 A1	*	3/2001
JP	10-190800	*	7/1998
WO	DM/052227	*	3/2000

\* cited by examiner

*Primary Examiner*—Jeffrey Asch

(74) *Attorney, Agent, or Firm*—Ezra Sutton, Esq.

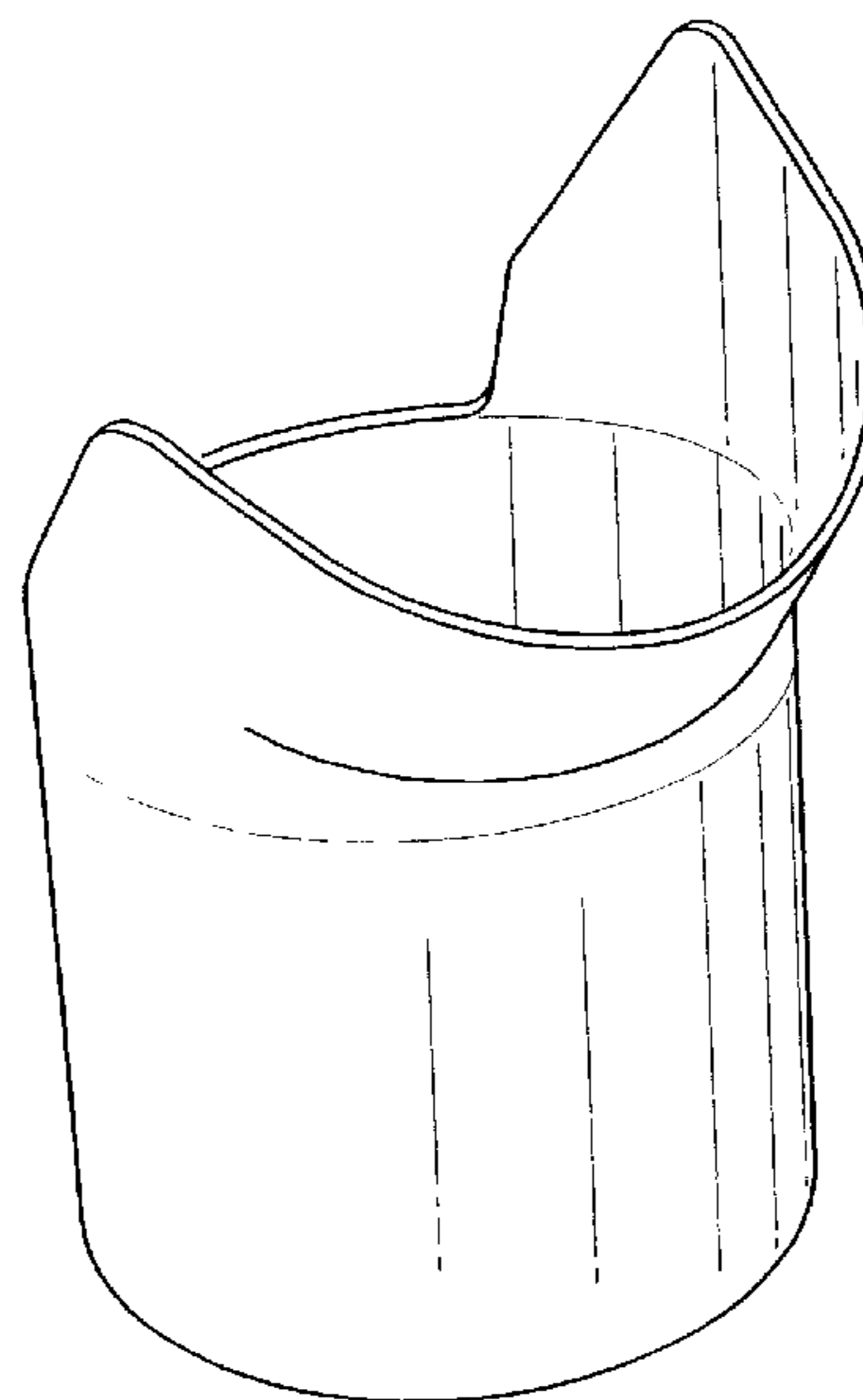
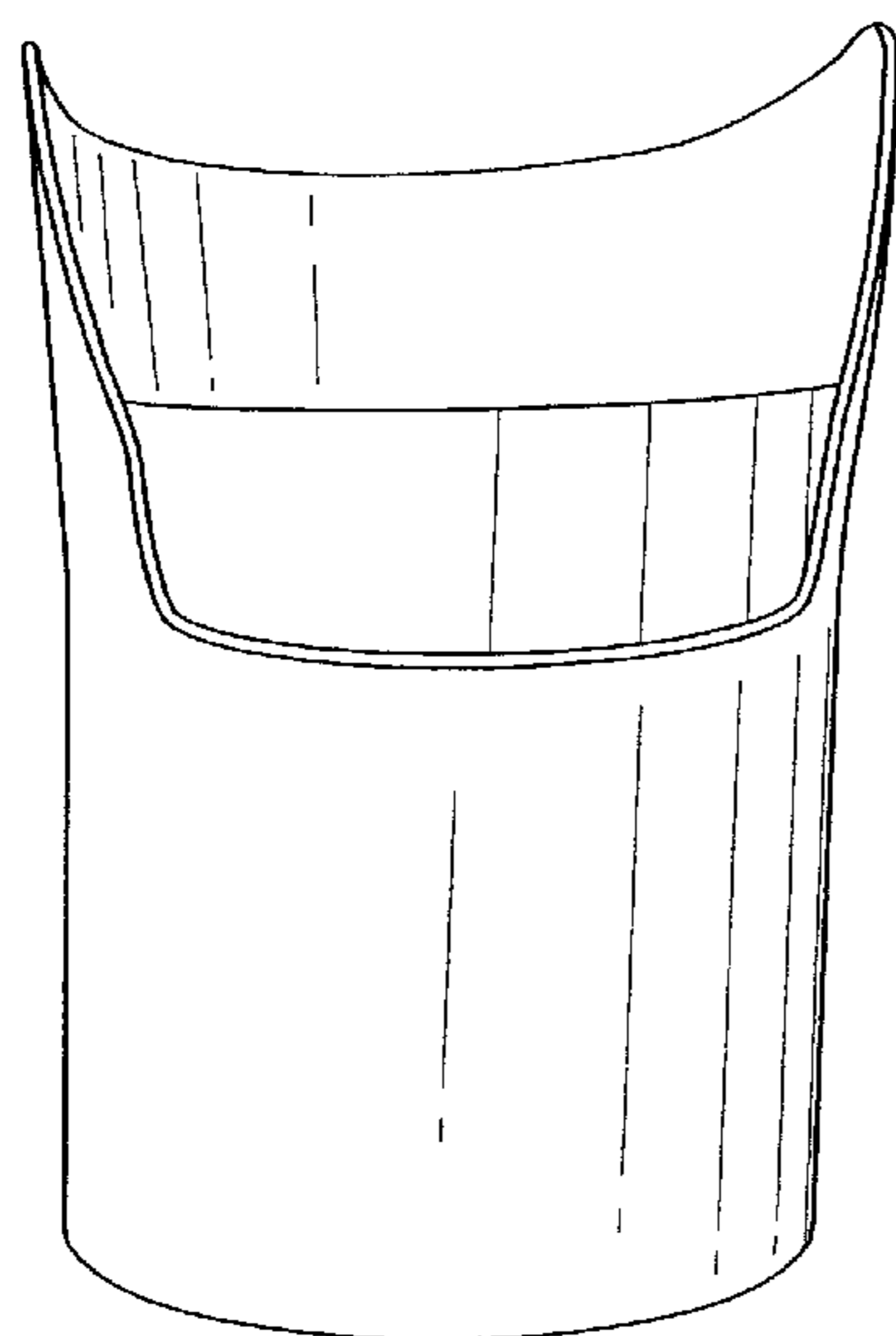
(57) **CLAIM**

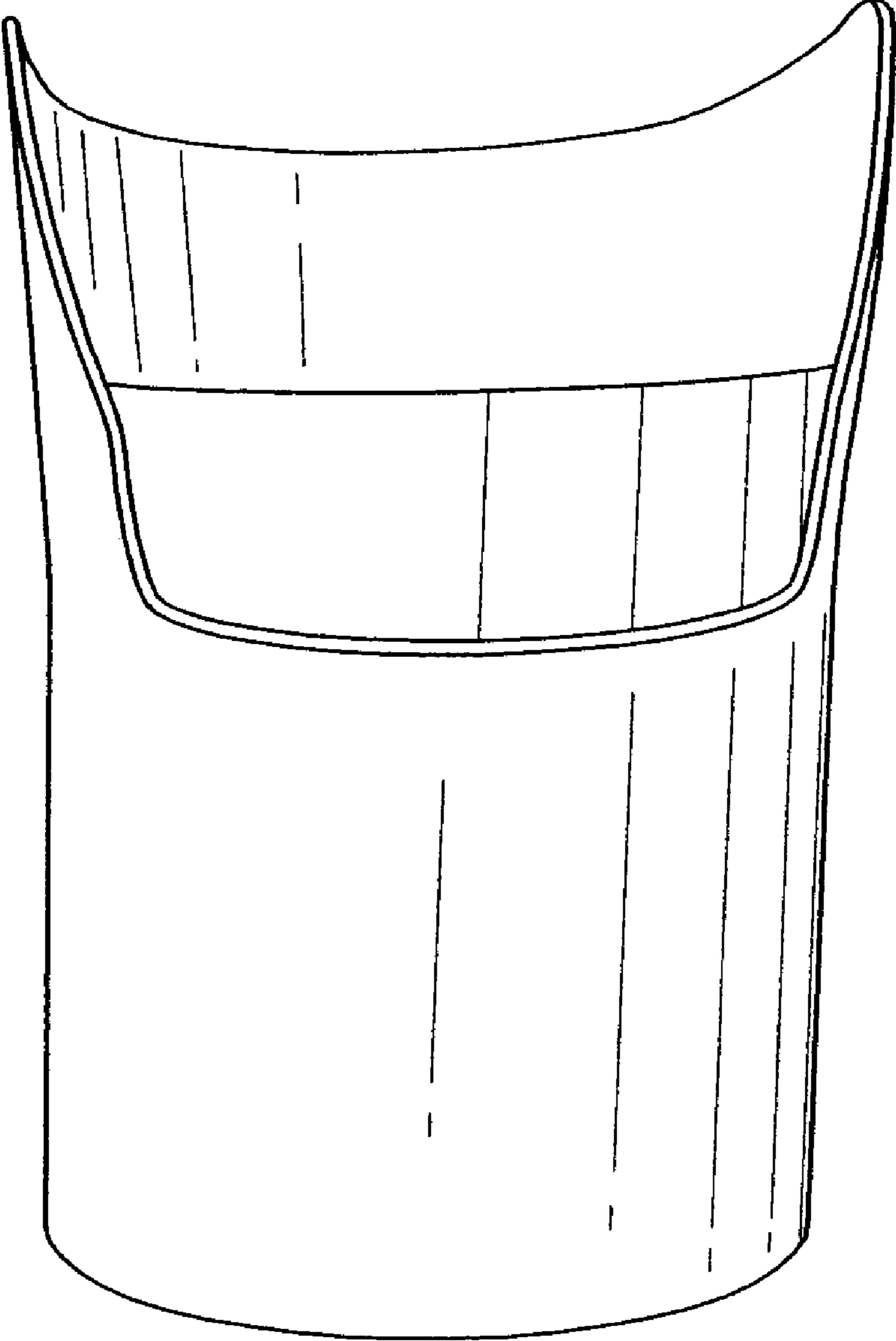
The ornamental design for a cellular telephone holder, as shown and described.

**DESCRIPTION**

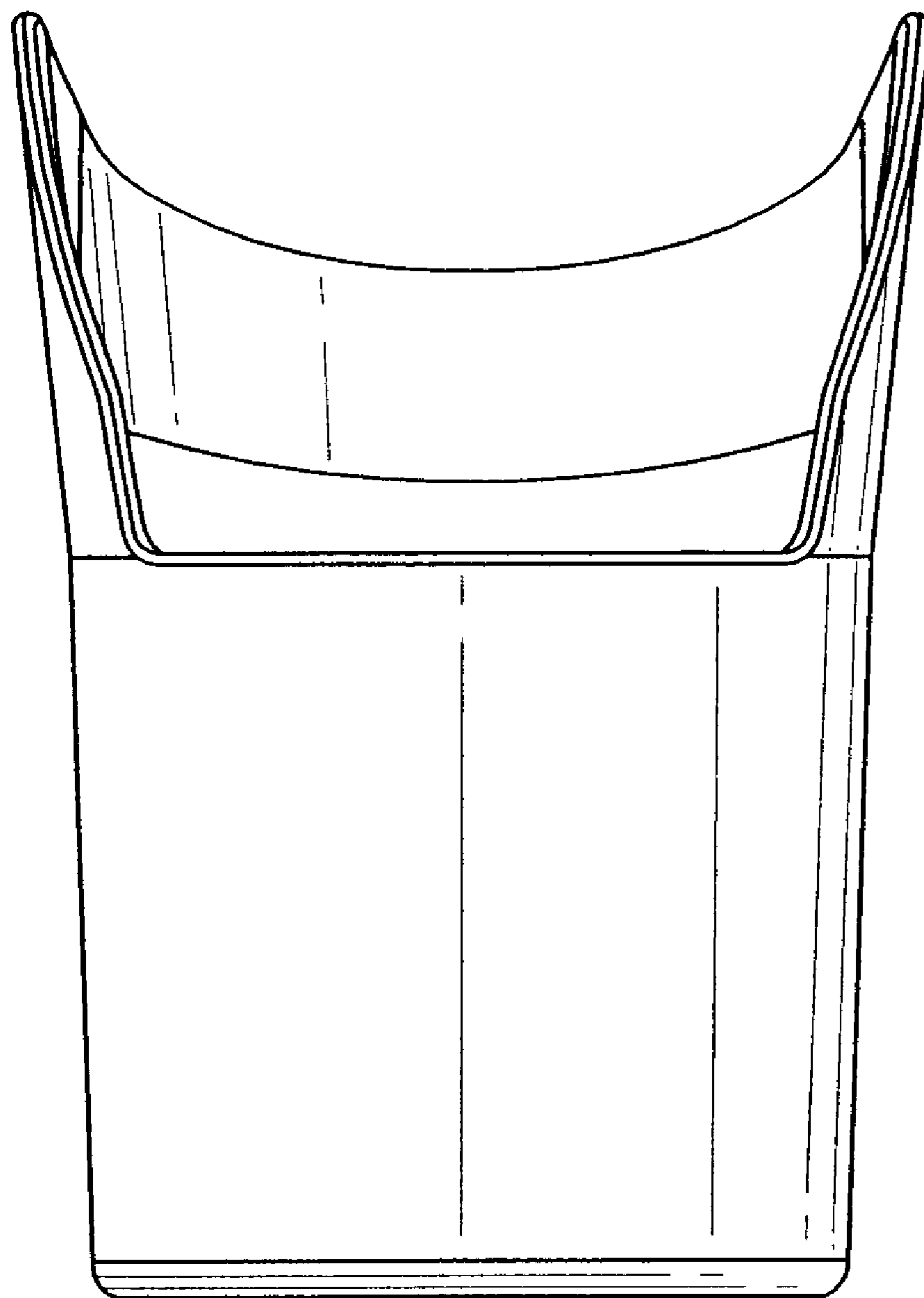
FIG. 1 is a front perspective view of a cellular telephone holder embodying my new design; FIG. 2 is a front elevational view thereof; FIG. 3 is a rear elevational view thereof; FIG. 4 is a right side elevational view thereof, and the left side elevational view being a mirror image thereof; FIG. 5 is a top plan view thereof; FIG. 6 is a bottom plan view thereof; and, FIG. 7 is a rear perspective view of a cellular telephone holder embodying my new design.

**1 Claim, 7 Drawing Sheets**

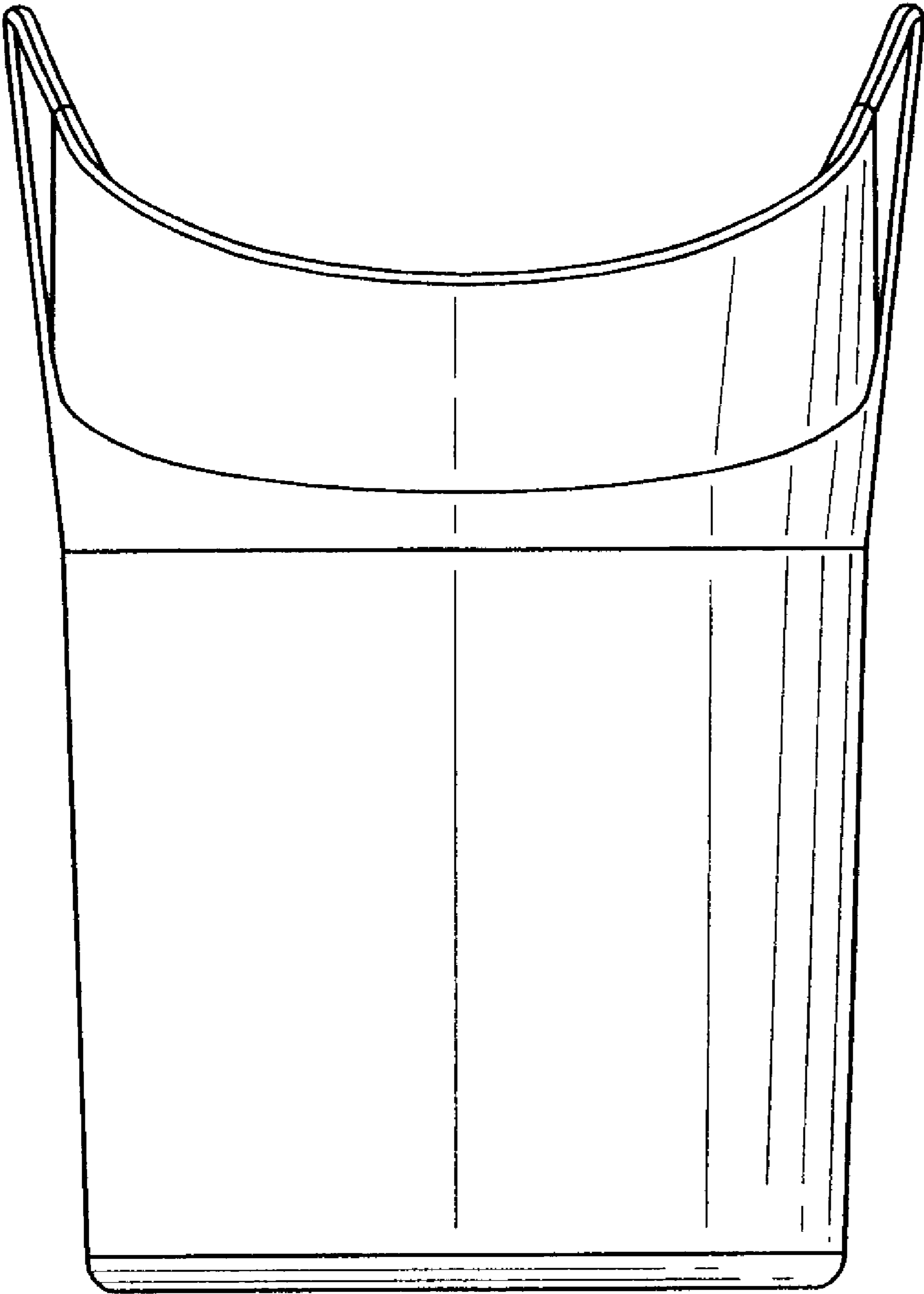




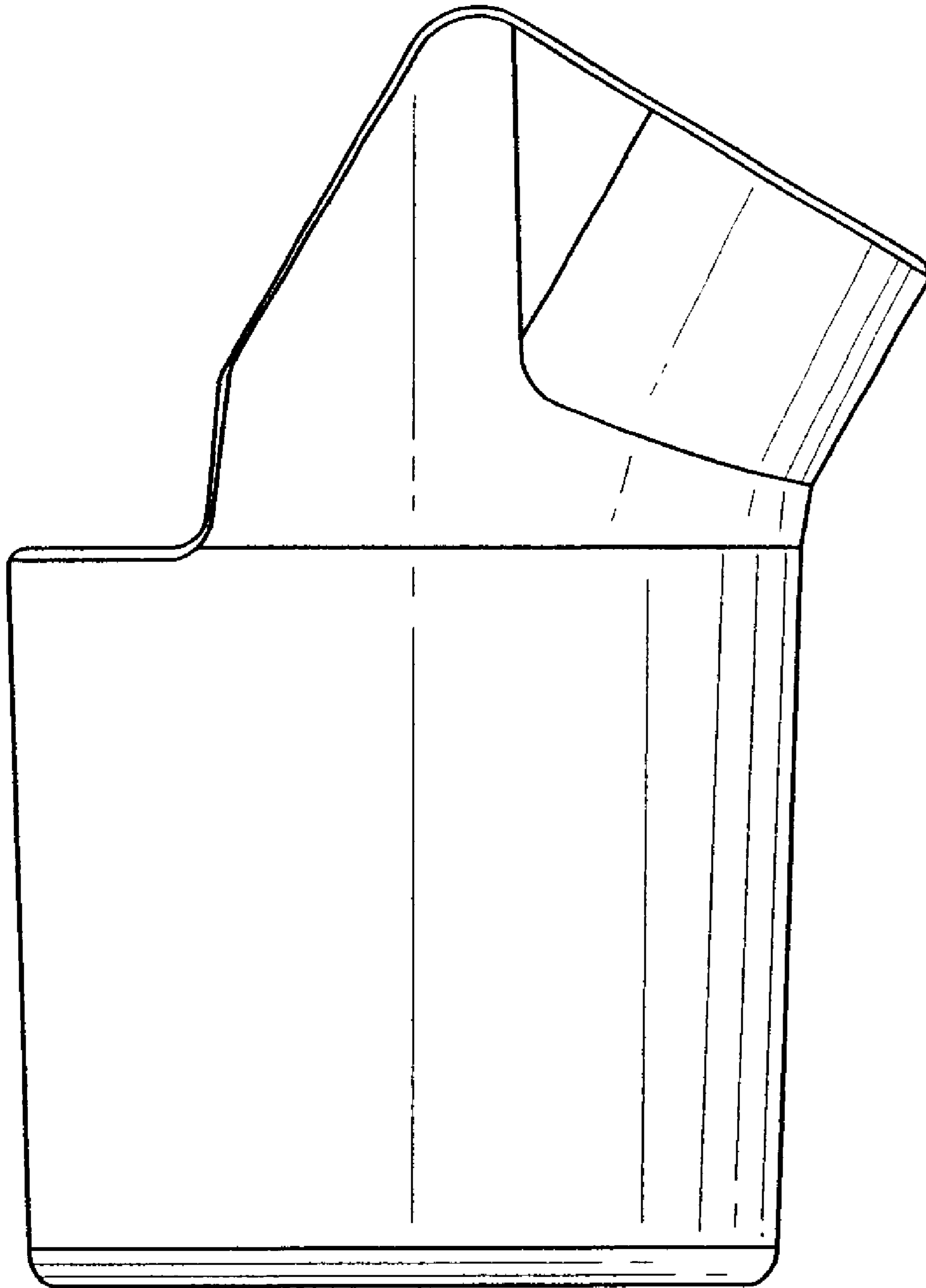
*FIG. 1*



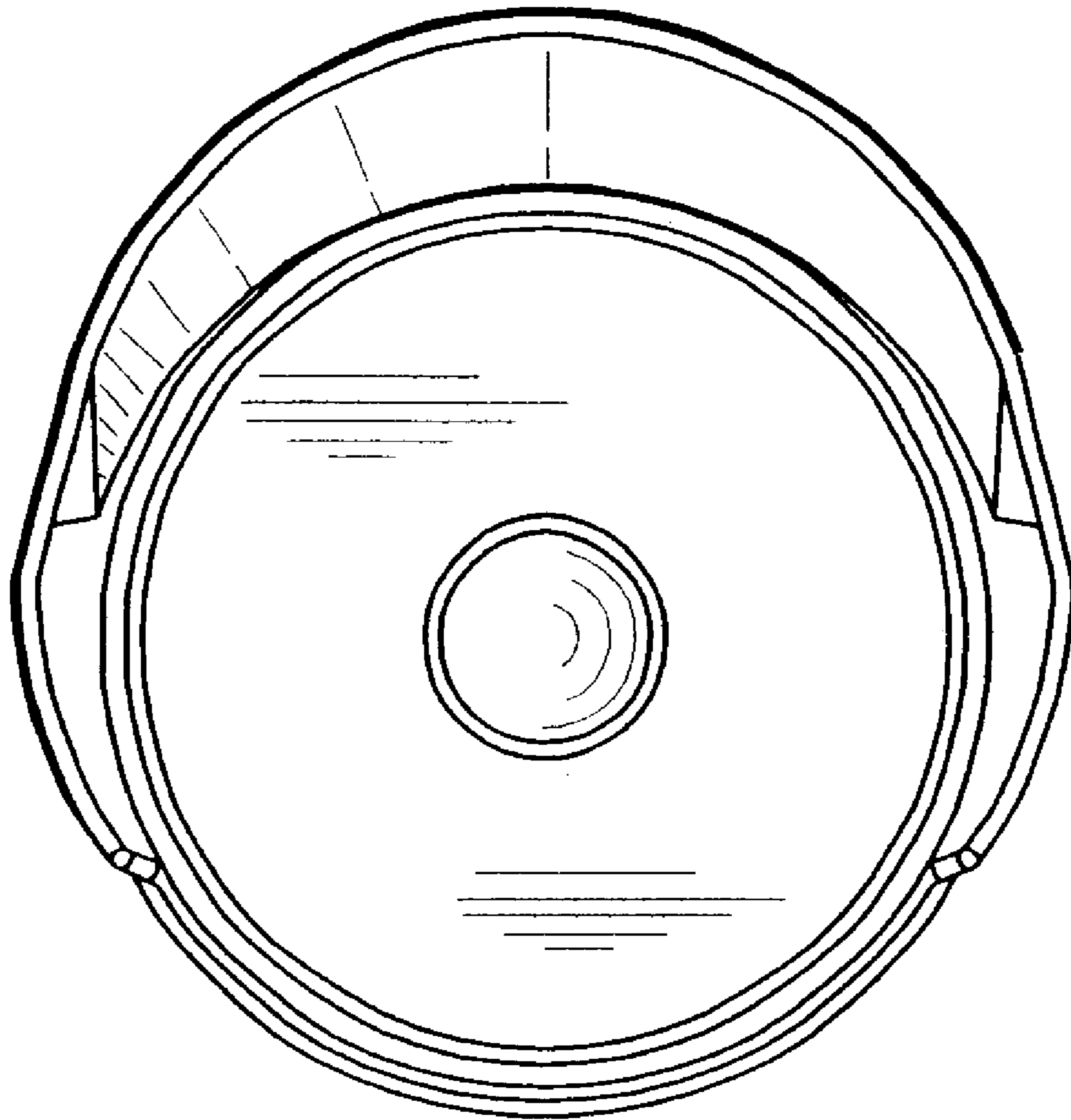
*FIG. 2*



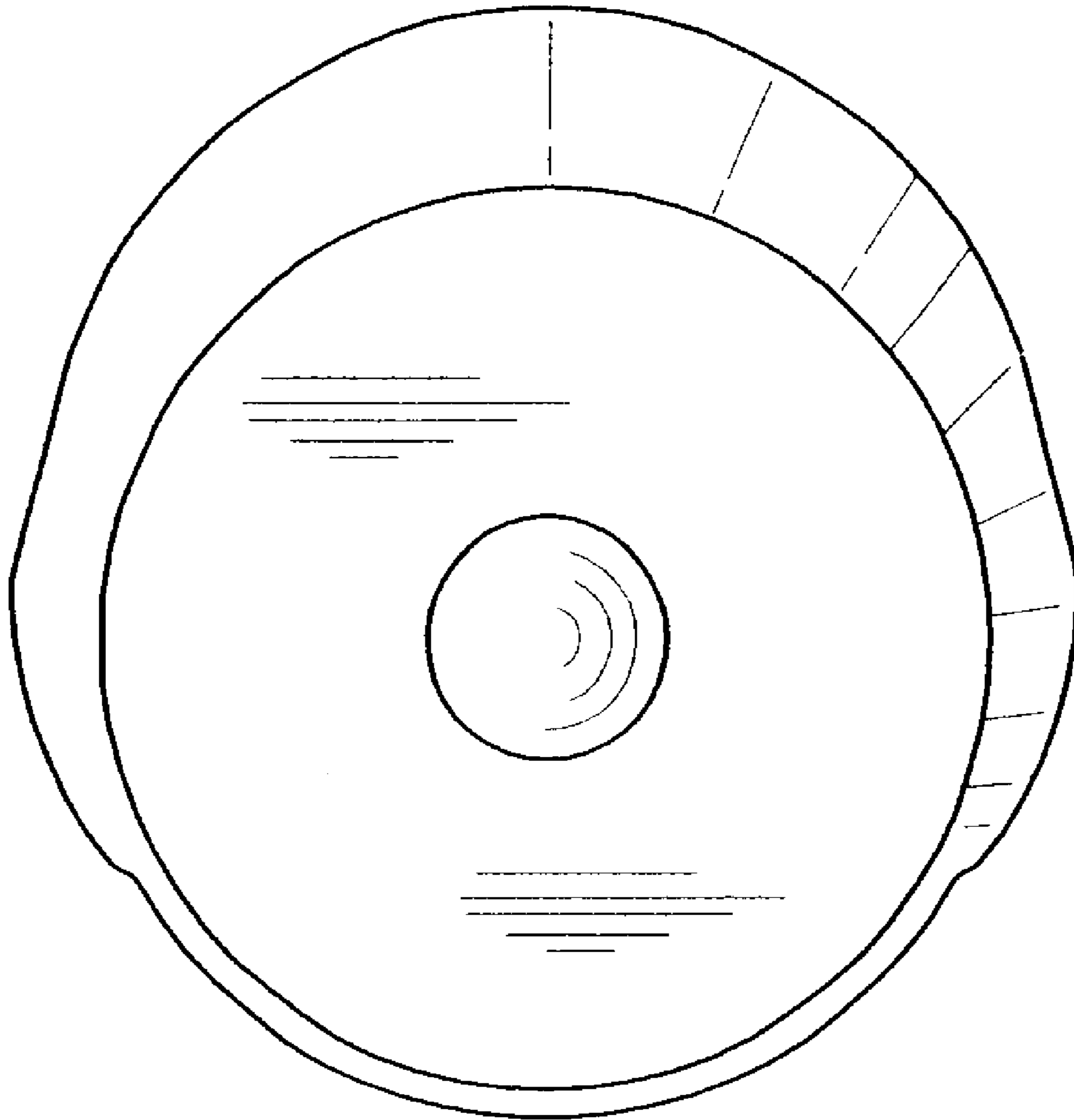
*FIG. 3*



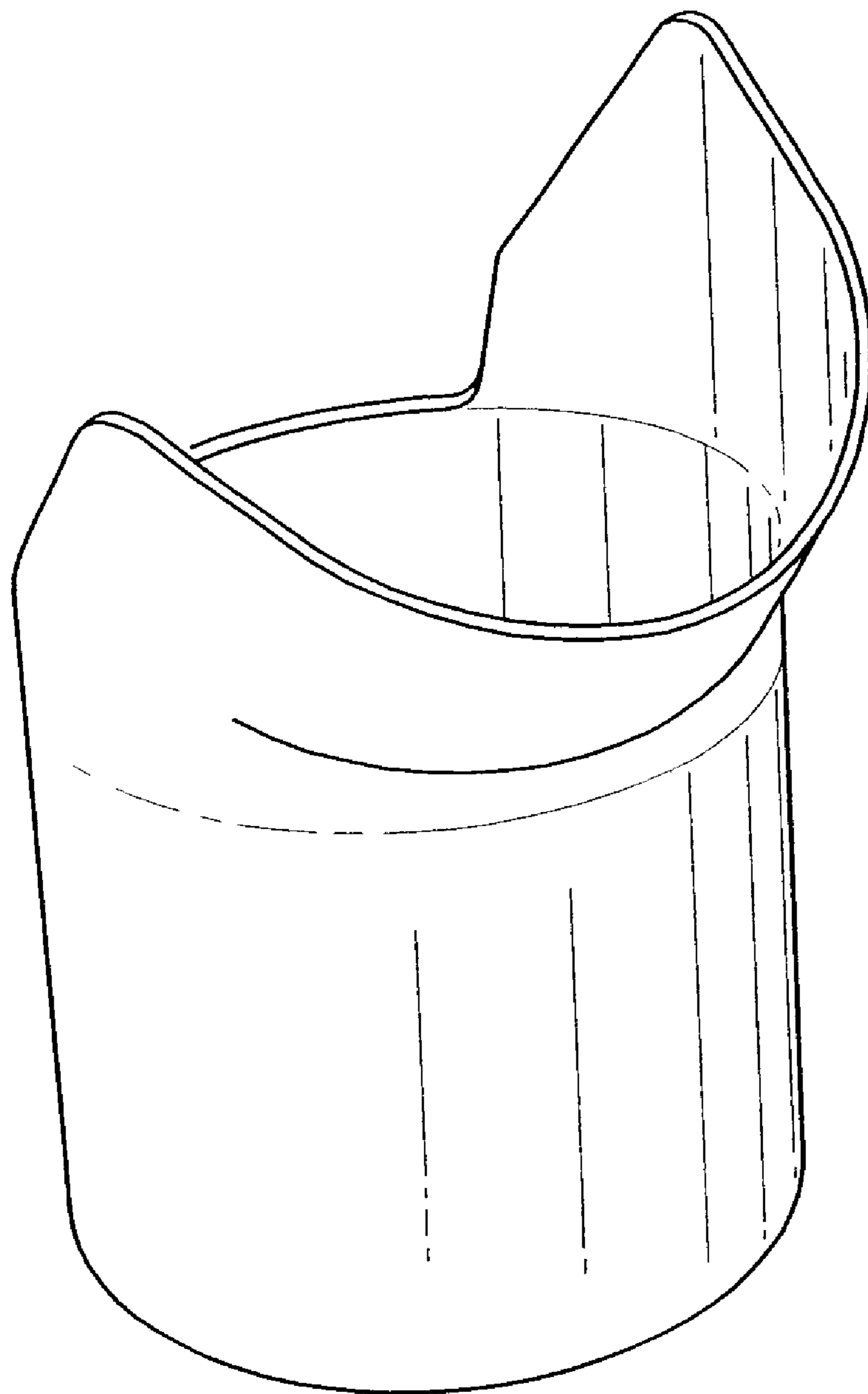
*FIG. 4*



*FIG. 5*



*FIG. 6*



*FIG. 7*