

US00D524801S

(12) **United States Design Patent**
Widmayer et al.

(10) **Patent No.:** **US D524,801 S**

(45) **Date of Patent:** **** Jul. 11, 2006**

(54) **BASE RADIO FRONT COVER**

(75) Inventors: **Robert B. Widmayer**, Harvard, IL (US); **David T. Andersen**, Des Plaines, IL (US); **Richard H. Burzynski**, Elk Grove Village, IL (US); **David M. Frendreiss**, Algonquin, IL (US); **James A. Hale**, Elburn, IL (US); **James W. Turocy**, Arlington Heights, IL (US); **Peter P. Walter**, Schaumburg, IL (US); **Horng L. Wang**, Bartlett, IL (US)

(73) Assignee: **Motorola, Inc.**, Schaumburg, IL (US)

(**) Term: **14 Years**

(21) Appl. No.: **29/226,703**

(22) Filed: **Mar. 31, 2005**

(51) **LOC (8) Cl.** **14-03**

(52) **U.S. Cl.** **D14/217; D14/257; D14/188**

(58) **Field of Classification Search** D14/188, D14/204, 192-198, 137, 155, 217, 221, 224, D14/265, 257, 258; 455/344-351, 575.1; 369/6-12, 75.11; 360/137; D13/184, 199
See application file for complete search history.

(56) **References Cited**

U.S. PATENT DOCUMENTS

D176,481 S * 12/1955 Petertil D14/194
D211,734 S * 7/1968 Duern D14/257
3,531,602 A * 9/1970 Brown 455/230

4,181,823 A * 1/1980 DeLamoreaux et al. 369/10
5,848,042 A * 12/1998 Takahashi et al. 720/647
5,862,468 A * 1/1999 Kim 455/321
5,867,774 A * 2/1999 Summers et al. 455/575.1
D453,156 S * 1/2002 Le Thellec D14/258
D455,728 S * 4/2002 Kobayashi D14/168
D463,394 S * 9/2002 Sogabe D14/168
D491,555 S * 6/2004 Preissner D14/224
D500,303 S * 12/2004 Riede et al. D14/188
D504,881 S * 5/2005 Kangasmaa D14/188

* cited by examiner

Primary Examiner—Prabhakar Deshmukh

(74) *Attorney, Agent, or Firm*—Valerie M. Davis

(57) **CLAIM**

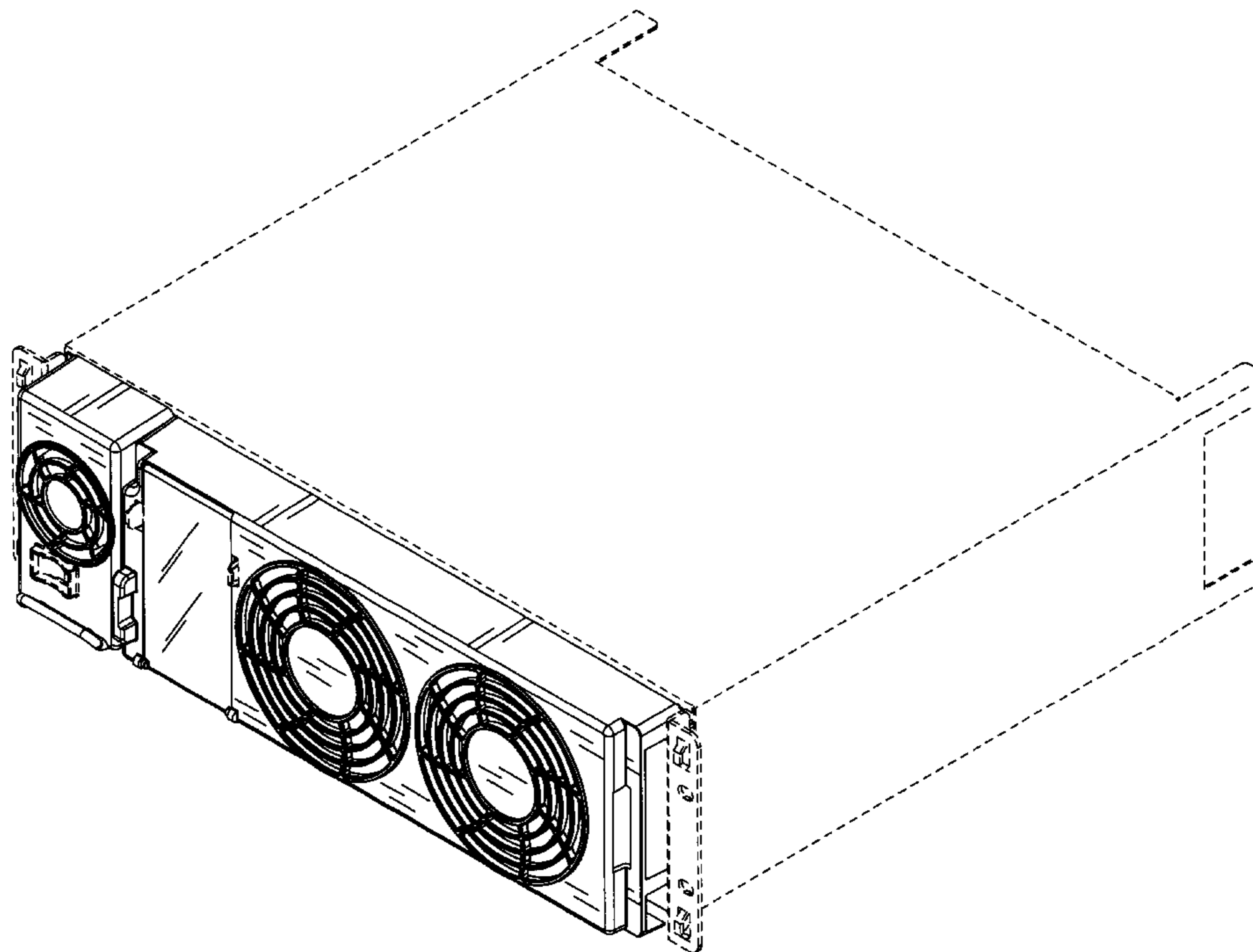
The ornamental design for a base radio front cover, as shown and described.

DESCRIPTION

FIG. 1 is a front, top, right perspective view of the base radio front cover showing our new design; FIG. 2 is a front view thereof; FIG. 3 is a back view thereof; FIG. 4 is a left view thereof; FIG. 5 is a right view thereof; FIG. 6 is a top view thereof; and, FIG. 7 is a bottom view thereof.

The broken lines shown in FIGS. 1-7 are included for the purpose of illustrating environmental elements only and form no part of the claimed design.

1 Claim, 5 Drawing Sheets



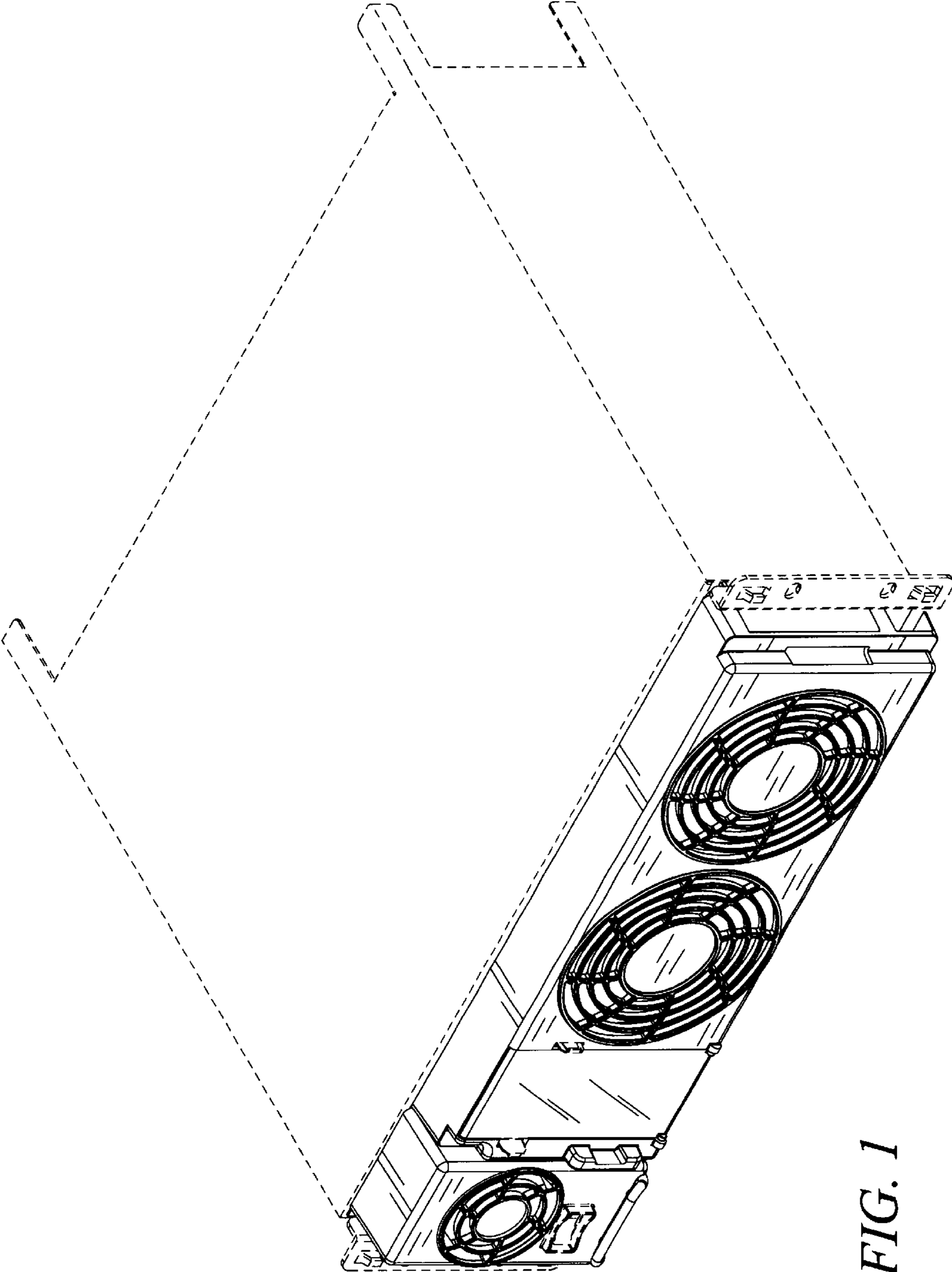


FIG. 1

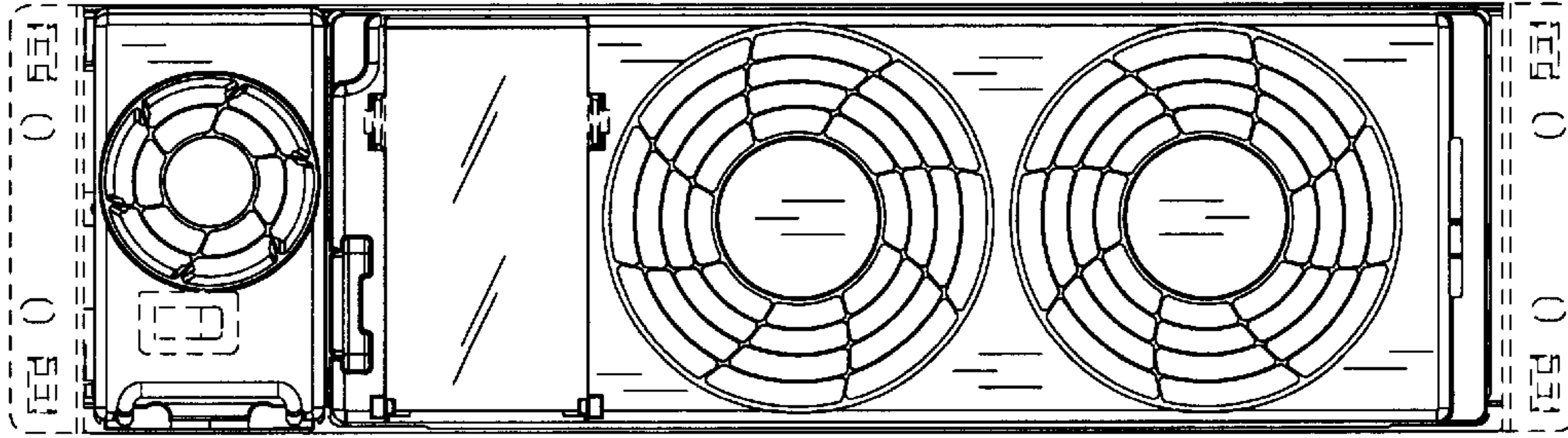


FIG. 2

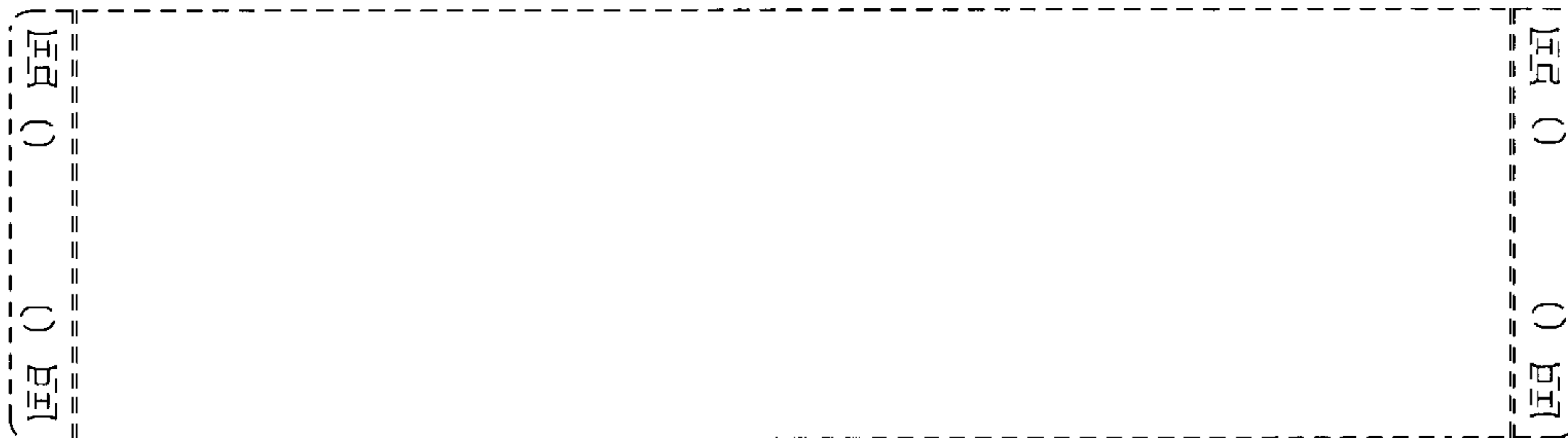


FIG. 3



FIG. 4



FIG. 5

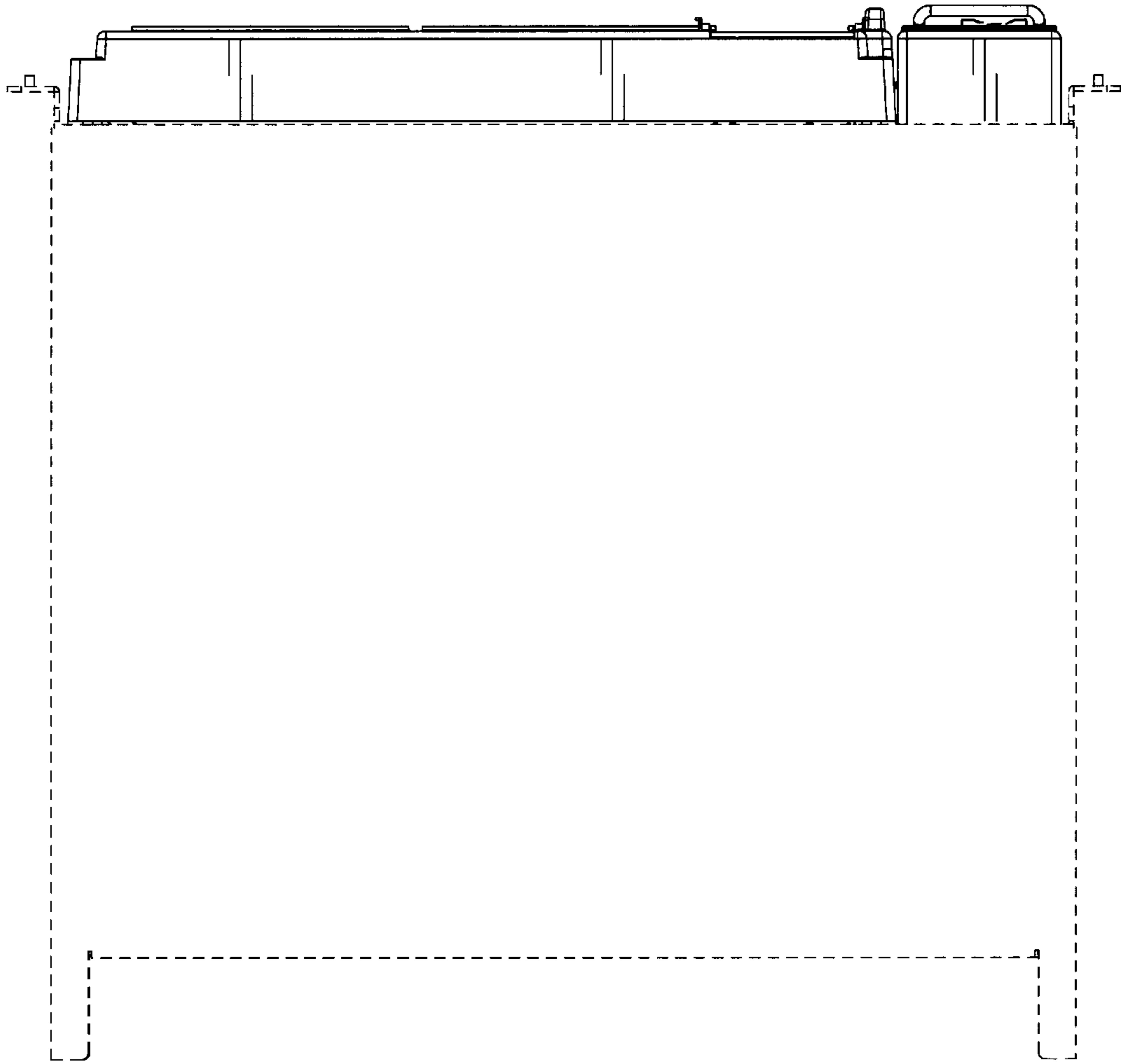


FIG. 6

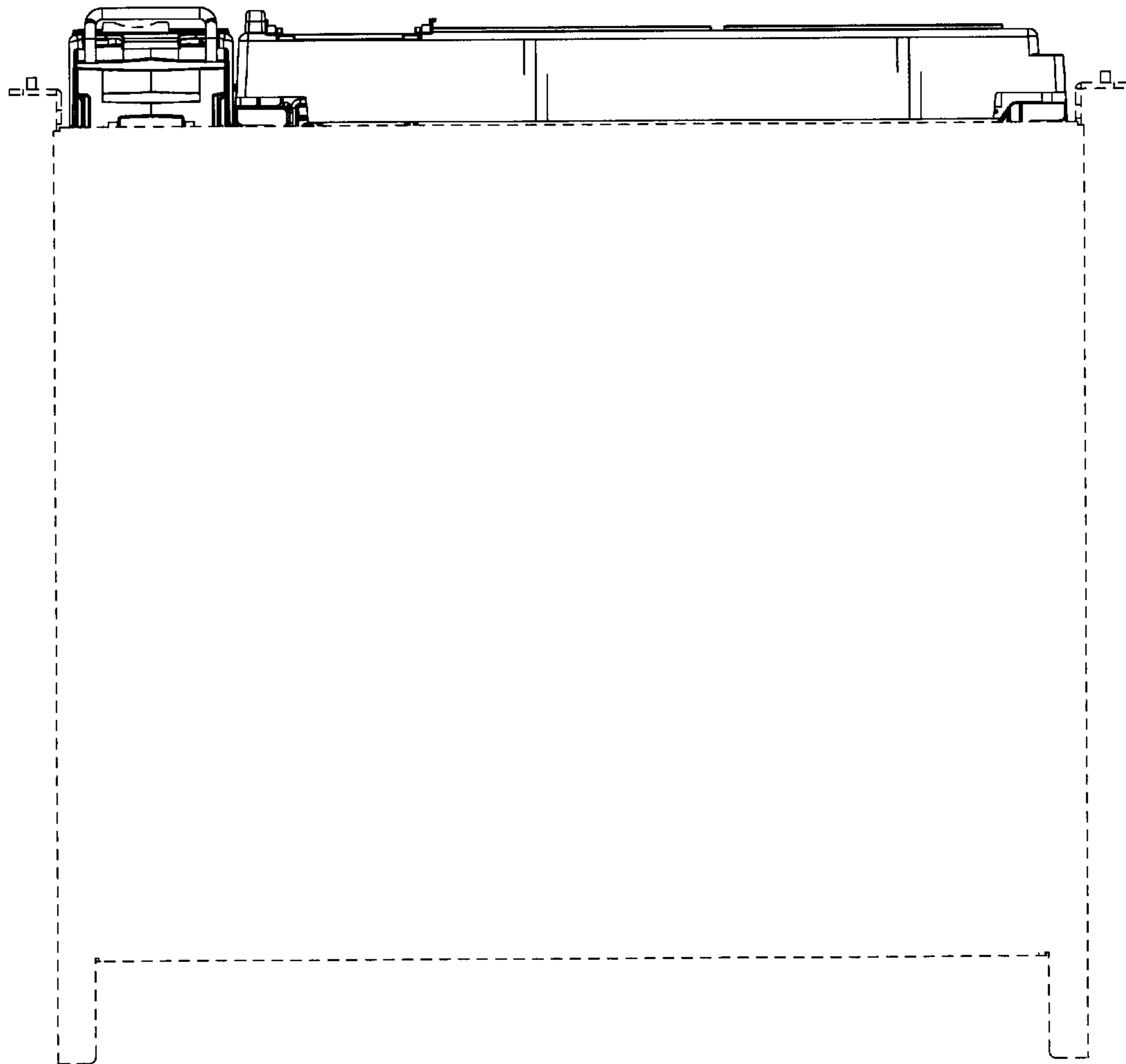


FIG. 7