



US00D524799S

(12) **United States Design Patent**  
**Hibi**

(10) **Patent No.:** **US D524,799 S**

(45) **Date of Patent:** **\*\* Jul. 11, 2006**

(54) **SPEAKER BOX**

(75) Inventor: **Keita Hibi**, Tokyo (JP)

(73) Assignee: **Sony Corporation**, Tokyo (JP)

(\*\*) Term: **14 Years**

(21) Appl. No.: **29/223,645**

(22) Filed: **Feb. 17, 2005**

(51) **LOC (8) Cl.** ..... **14-01**

(52) **U.S. Cl.** ..... **D14/216**

(58) **Field of Classification Search** ..... D14/204,  
D14/207, 209–216, 356; 181/143–144, 147–148,  
181/150, 157, 198–199, 151, 153; 381/300–302,  
381/306, 333, 345, 361–364, 386–388, 332,  
381/336

See application file for complete search history.

(56) **References Cited**

**U.S. PATENT DOCUMENTS**

D415,159 S	10/1999	Nakano	
D450,051 S	* 11/2001	Roh	D14/215
D467,238 S	* 12/2002	Hlas et al.	D14/216
D467,574 S	12/2002	Suzuki et al.	
D488,459 S	* 4/2004	Ota	D14/211
D497,612 S	* 10/2004	Olson	D14/216

**FOREIGN PATENT DOCUMENTS**

JP	D1112073 S	6/2001
JP	D1126626 S	10/2001
JP	D1223858 S	11/2004

**OTHER PUBLICATIONS**

Web page “ECLIPSE TD” [http://www8.yodobashi.com/enjoy/more/i/cat\\_1045\\_453\\_448919/10113707.html](http://www8.yodobashi.com/enjoy/more/i/cat_1045_453_448919/10113707.html), 1 sheet, Yodobashi Camera (Dec. 2004).

Web page “Creative Inspire G380” <http://www.creative.com/products/product.asp?category=4&subcategory=27&product=9276>, 1 sheet, Creative (Dec. 2004).

\* cited by examiner

*Primary Examiner*—Nanda Bondade

(74) *Attorney, Agent, or Firm*—Rader, Fishman & Grauer PLLC

(57) **CLAIM**

The ornamental design for a speaker box, as shown and described.

**DESCRIPTION**

FIG. 1 is a perspective view of a speaker box showing my new design;

FIG. 2 is a front elevational view thereof;

FIG. 3 is a rear elevational view thereof;

FIG. 4 is a left side elevational view thereof;

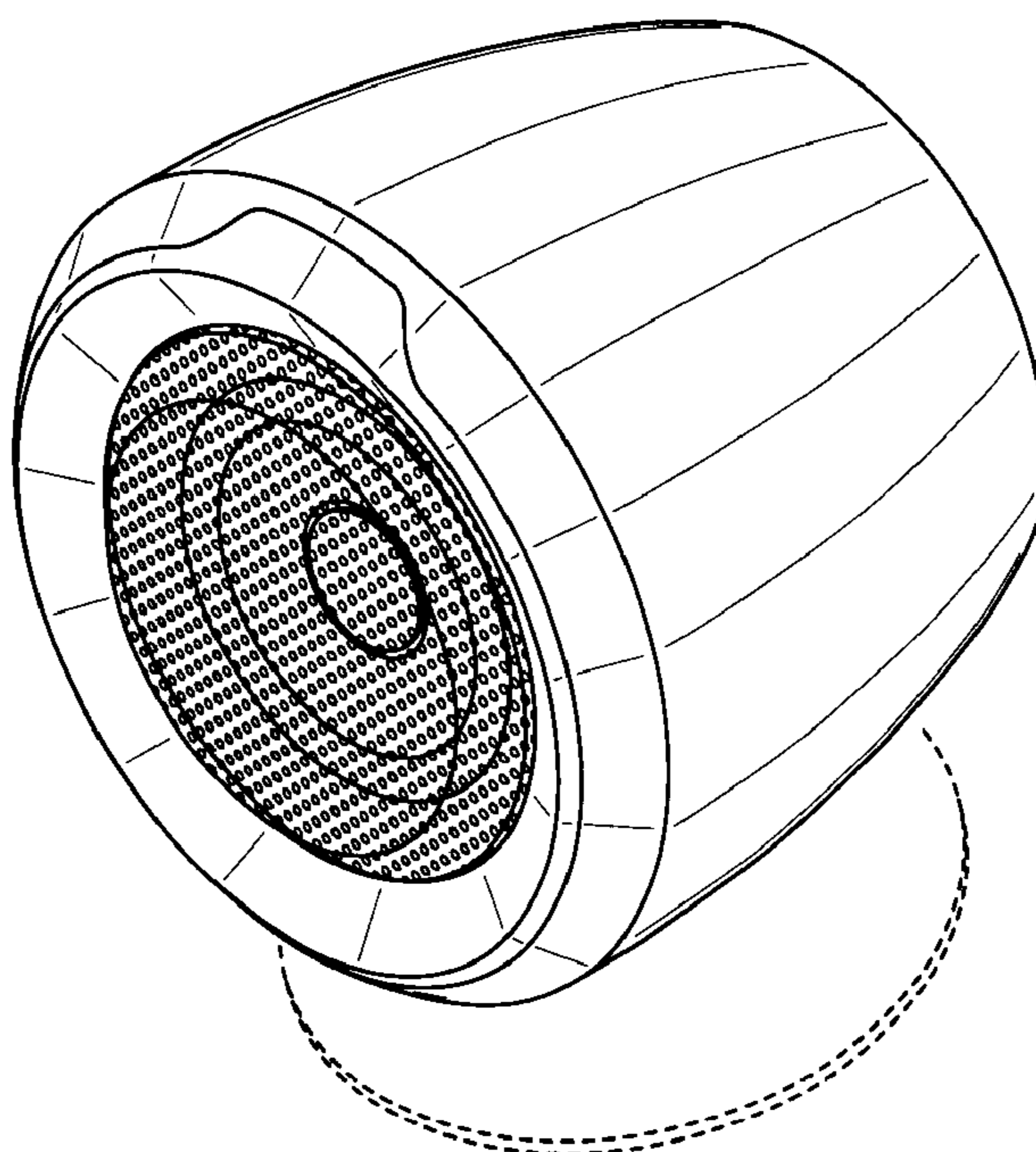
FIG. 5 is a right side elevational view thereof;

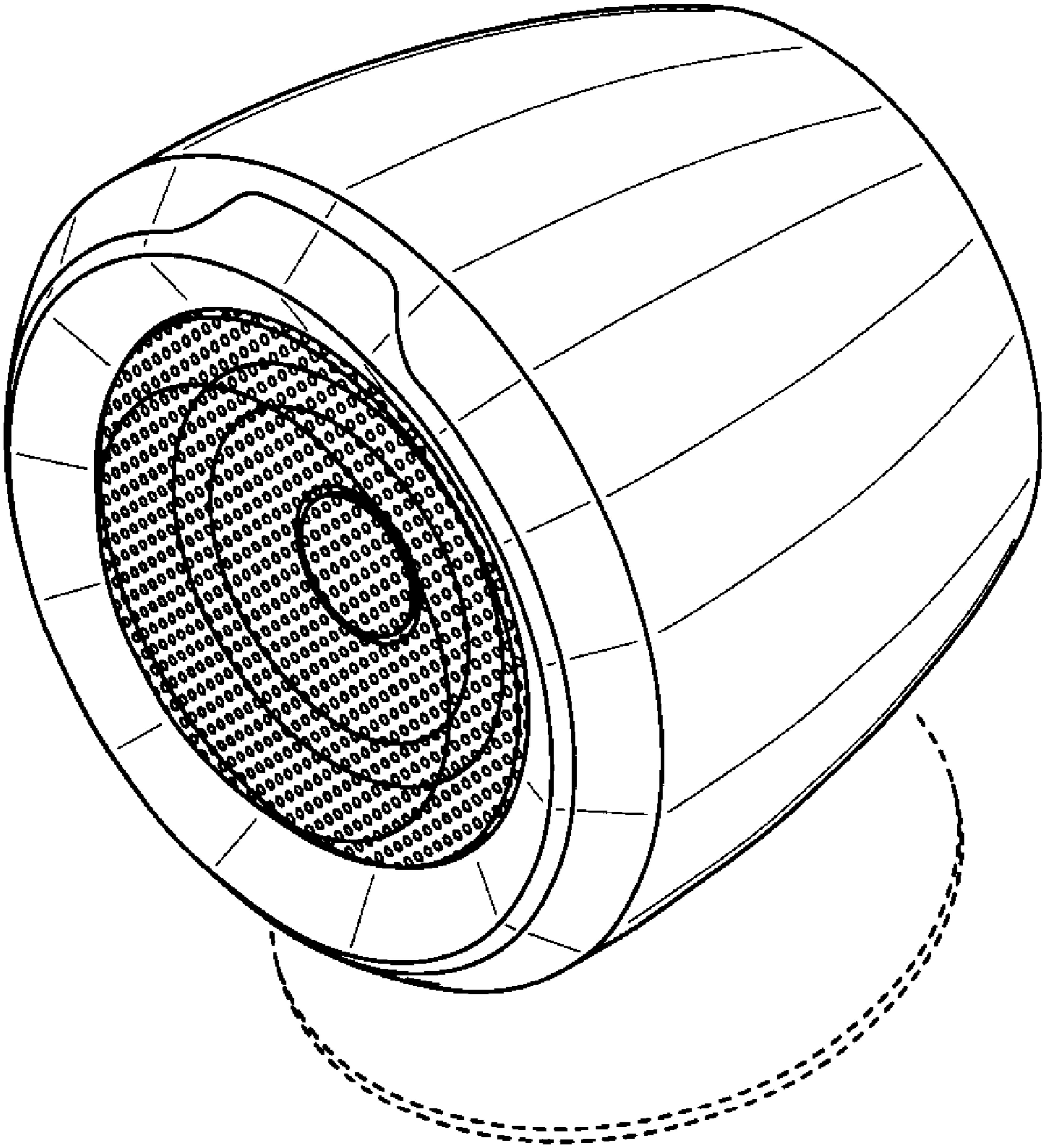
FIG. 6 is a top plan view thereof; and,

FIG. 7 is a bottom plan view thereof.

Portions of FIGS. 1–7 that are shown as broken lines are for illustrative purpose only and form no part of the claimed design.

**1 Claim, 4 Drawing Sheets**





**FIG. 1**

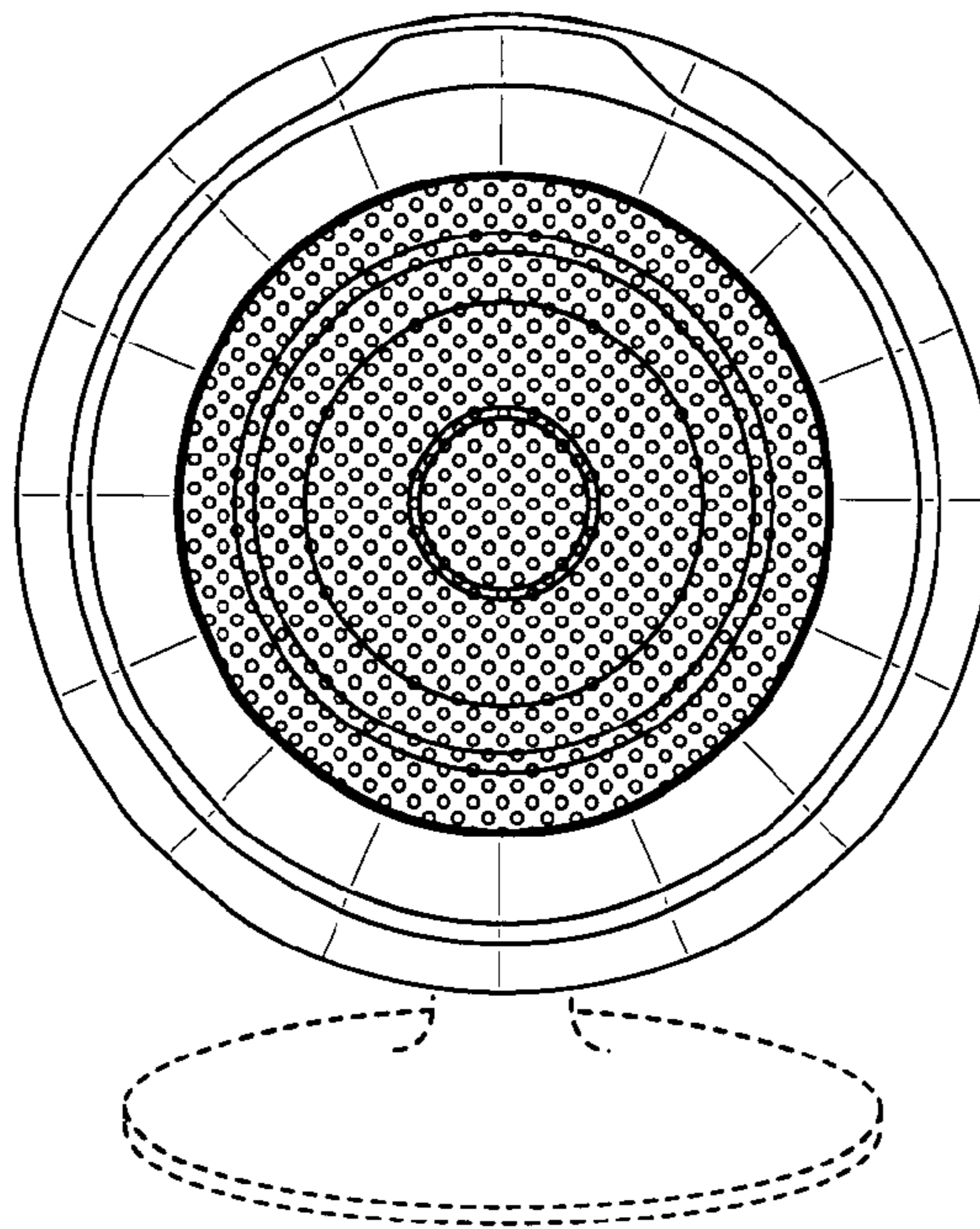


FIG. 2

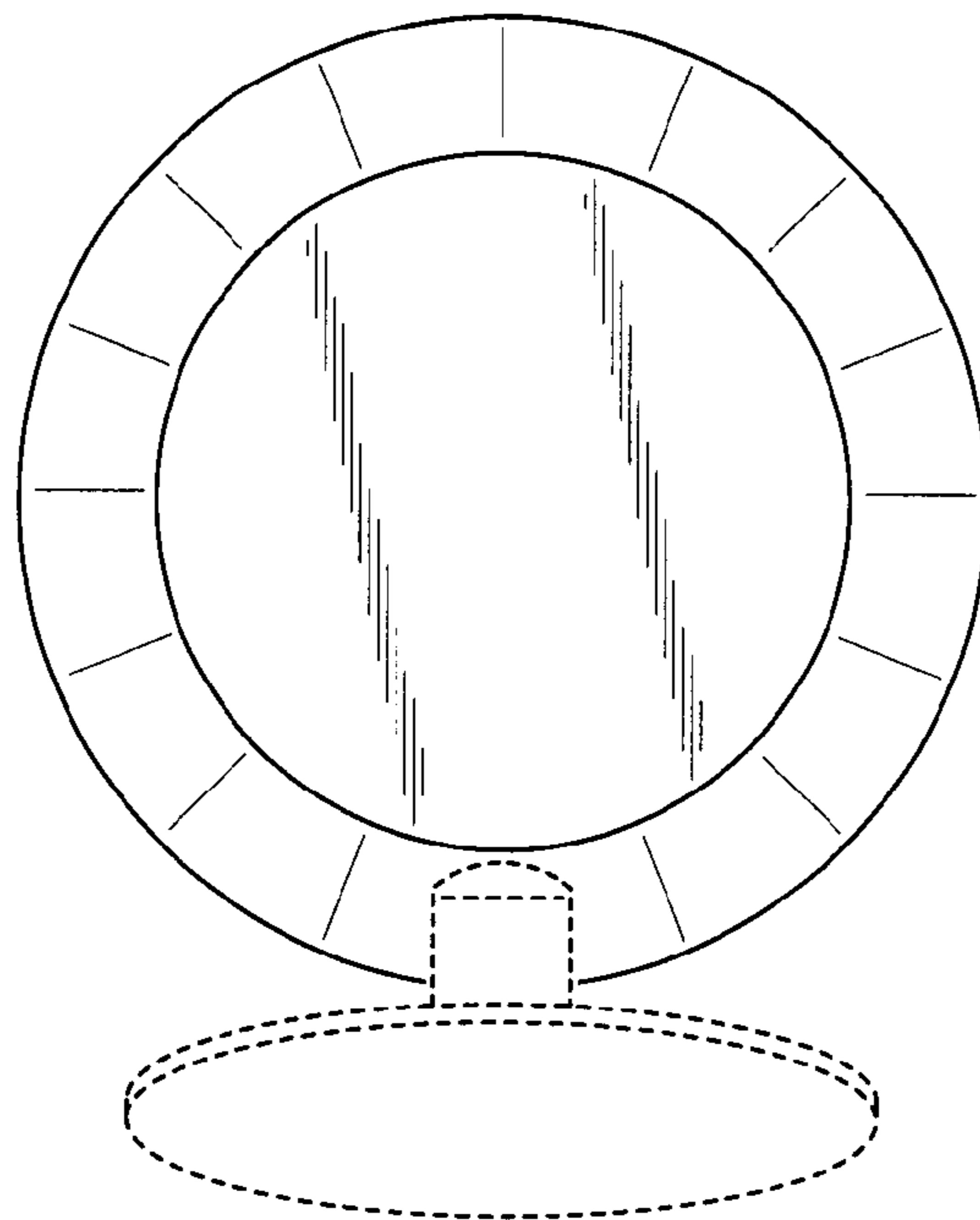


FIG. 3

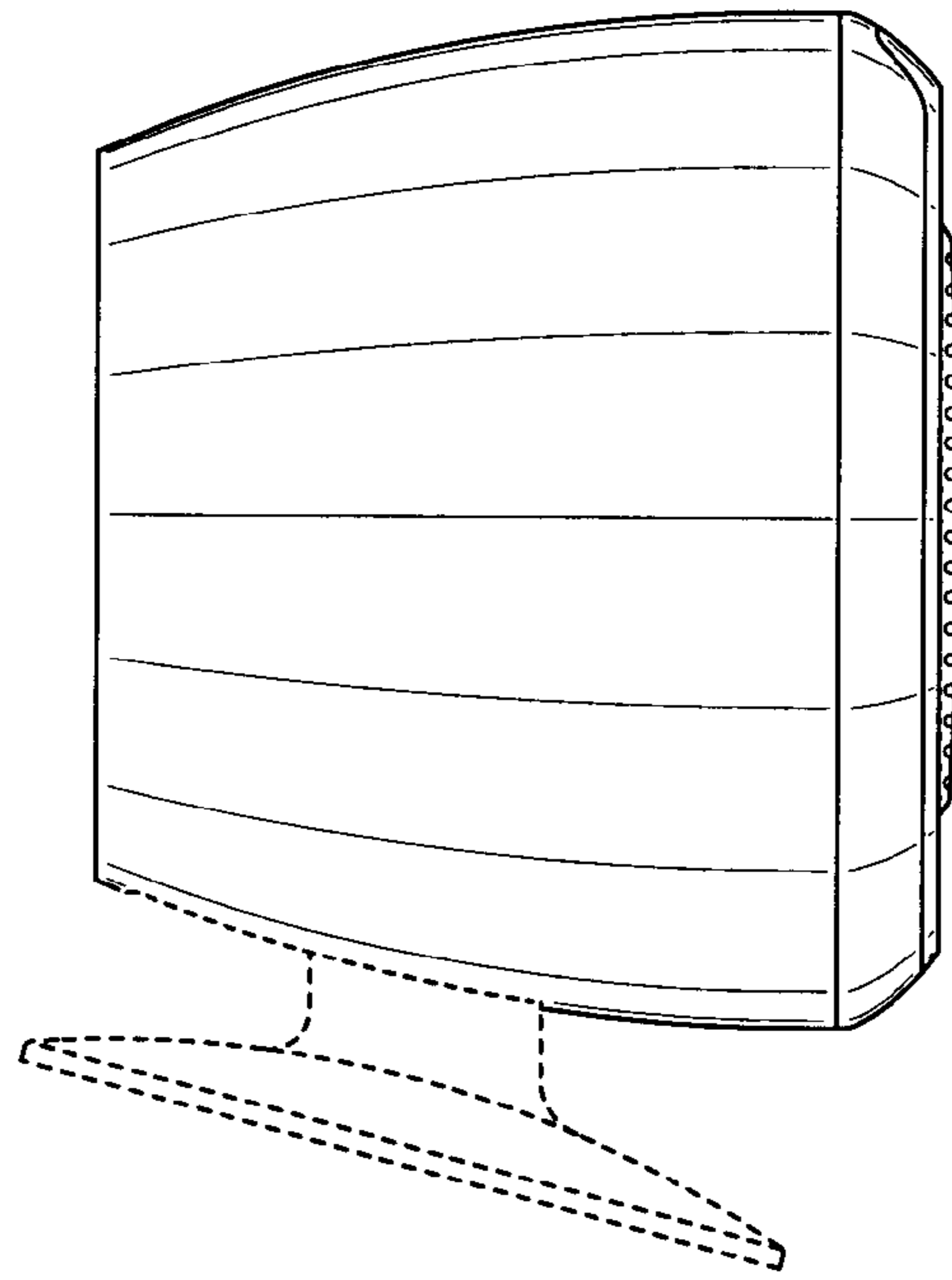


FIG. 4

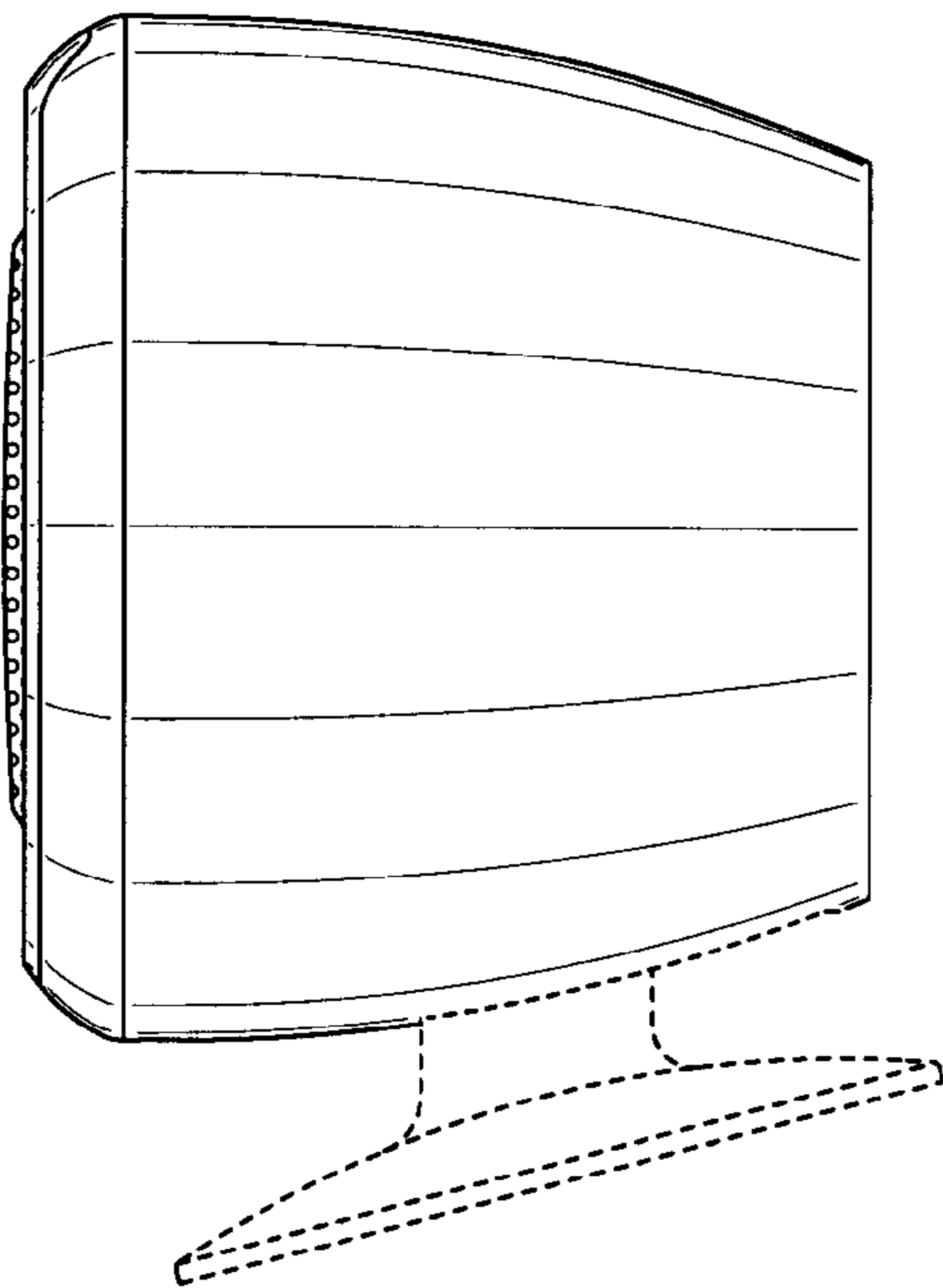
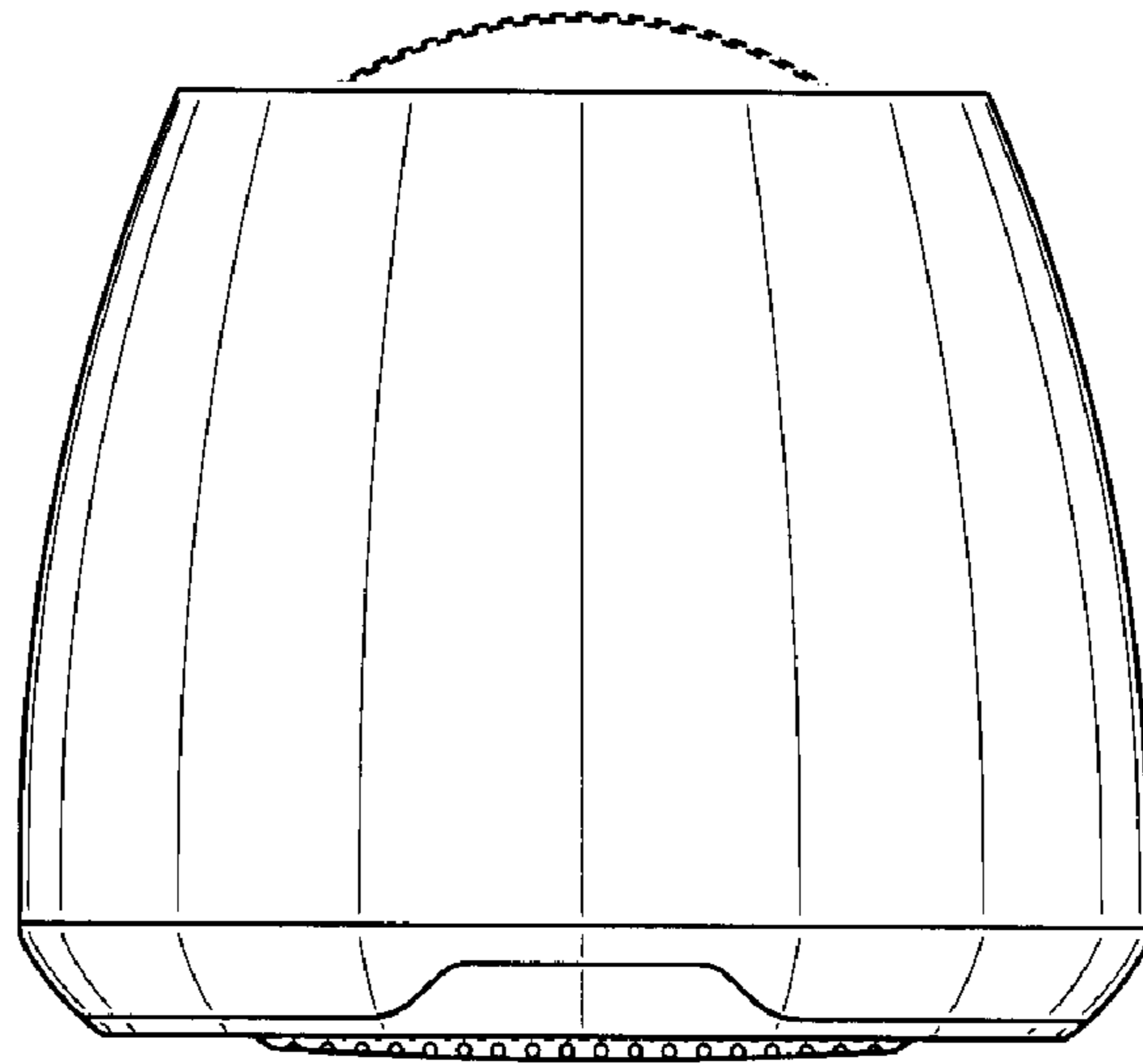
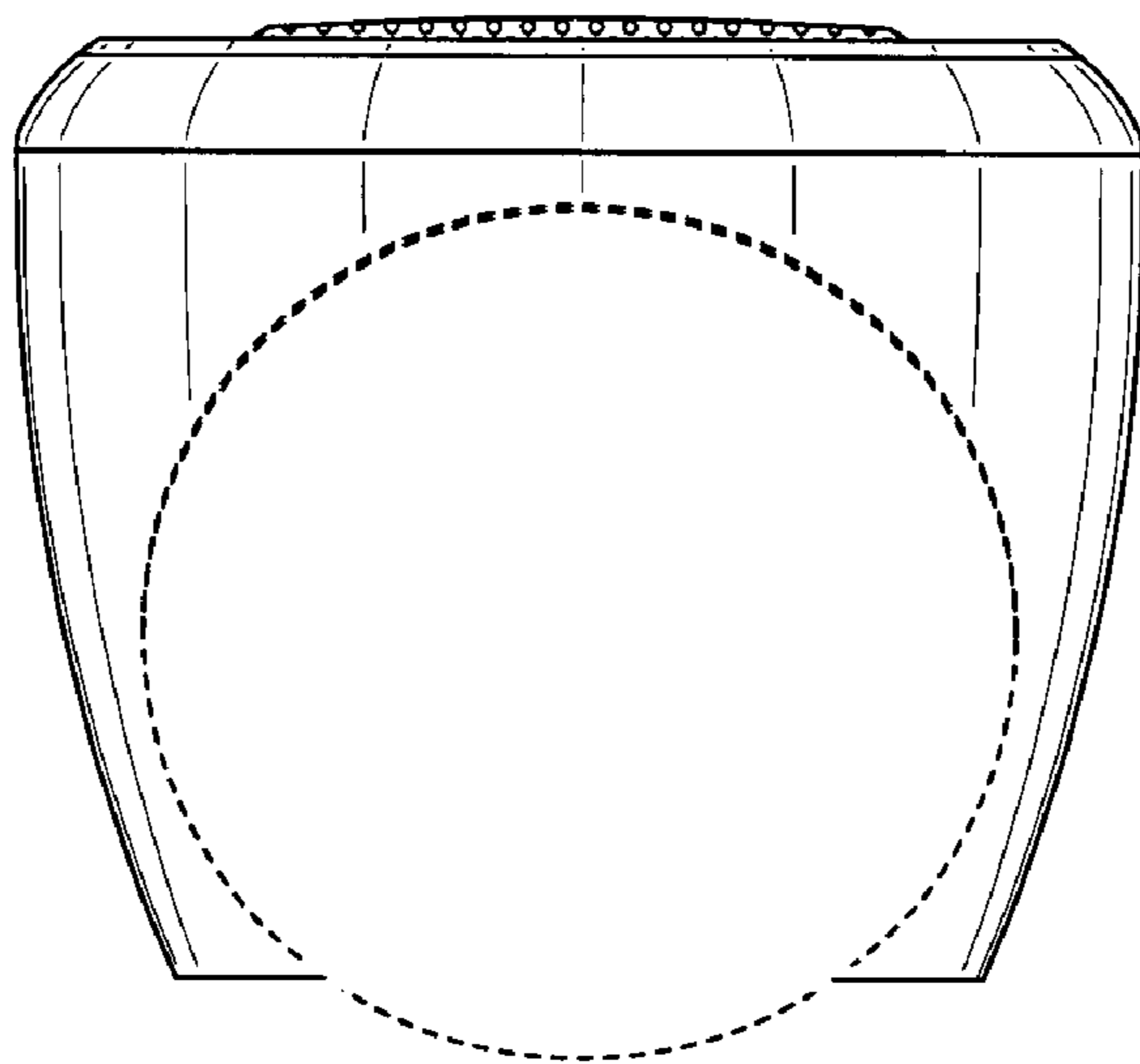


FIG. 5



*FIG. 6*



*FIG. 7*