



US00D524795S

(12) **United States Design Patent**  
**Cohen et al.**

(10) **Patent No.:** **US D524,795 S**  
(45) **Date of Patent:** **\*\* Jul. 11, 2006**

(54) **HEADSET RECEIVER**

(75) Inventors: **Art Cohen**, Cupertino, CA (US); **John Glissman**, Valley Ford, CA (US); **Kelly Kodama**, Alamo, CA (US); **Fadhly Bey**, San Francisco, CA (US); **Dave Noppenberger**, Baltimore, MD (US); **John Haggis**, San Jose, CA (US)

(73) Assignee: **Aerielle, Inc.**, Mountain View, CA (US)

(\*\*) Term: **14 Years**

(21) Appl. No.: **29/220,770**

(22) Filed: **Jan. 5, 2005**

(51) **LOC (8) Cl.** ..... **14-01**

(52) **U.S. Cl.** ..... **D14/206; D14/226**

(58) **Field of Classification Search** ..... D14/188,  
D14/191, 192, 205, 206, 223, 226, 142; 181/128-129;  
381/374, 376, 377, 378, 379, 381; 379/430  
See application file for complete search history.

(56) **References Cited**

**U.S. PATENT DOCUMENTS**

D237,090 S	*	10/1975	Yanagawa	.....	D14/205
D242,724 S	*	12/1976	Brodie	.....	D14/205
D311,521 S	*	10/1990	Jonsson et al.	.....	D14/226
D403,327 S	*	12/1998	Landreth et al.	.....	D14/223
D439,890 S	*	4/2001	Skulley et al.	.....	D14/223
D455,732 S	*	4/2002	Skulley et al.	.....	D14/223

D462,944 S	*	9/2002	Yuen	.....	D14/206
D463,784 S	*	10/2002	Taylor et al.	.....	D14/206
D464,951 S	*	10/2002	Skulley et al.	.....	D14/223
D465,209 S	*	11/2002	Rath	.....	D14/206
D470,835 S	*	2/2003	Bey et al.	.....	D14/223
D504,883 S	*	5/2005	Jacobson et al.	.....	D14/192

\* cited by examiner

*Primary Examiner*—Paula A. Greene

(74) *Attorney, Agent, or Firm*—Johnson & Stainbrook LLP;  
Craig M. Stainbrook; Larry D. Johnson

(57) **CLAIM**

The ornamental design for a headset receiver, as shown and described.

**DESCRIPTION**

FIG. 1 is an upper left front perspective view, as seen on user;

FIG. 2 is an upper left front perspective view;

FIG. 3 is a front elevational view;

FIG. 4 is a top plan view, the bottom is a mirror image thereof;

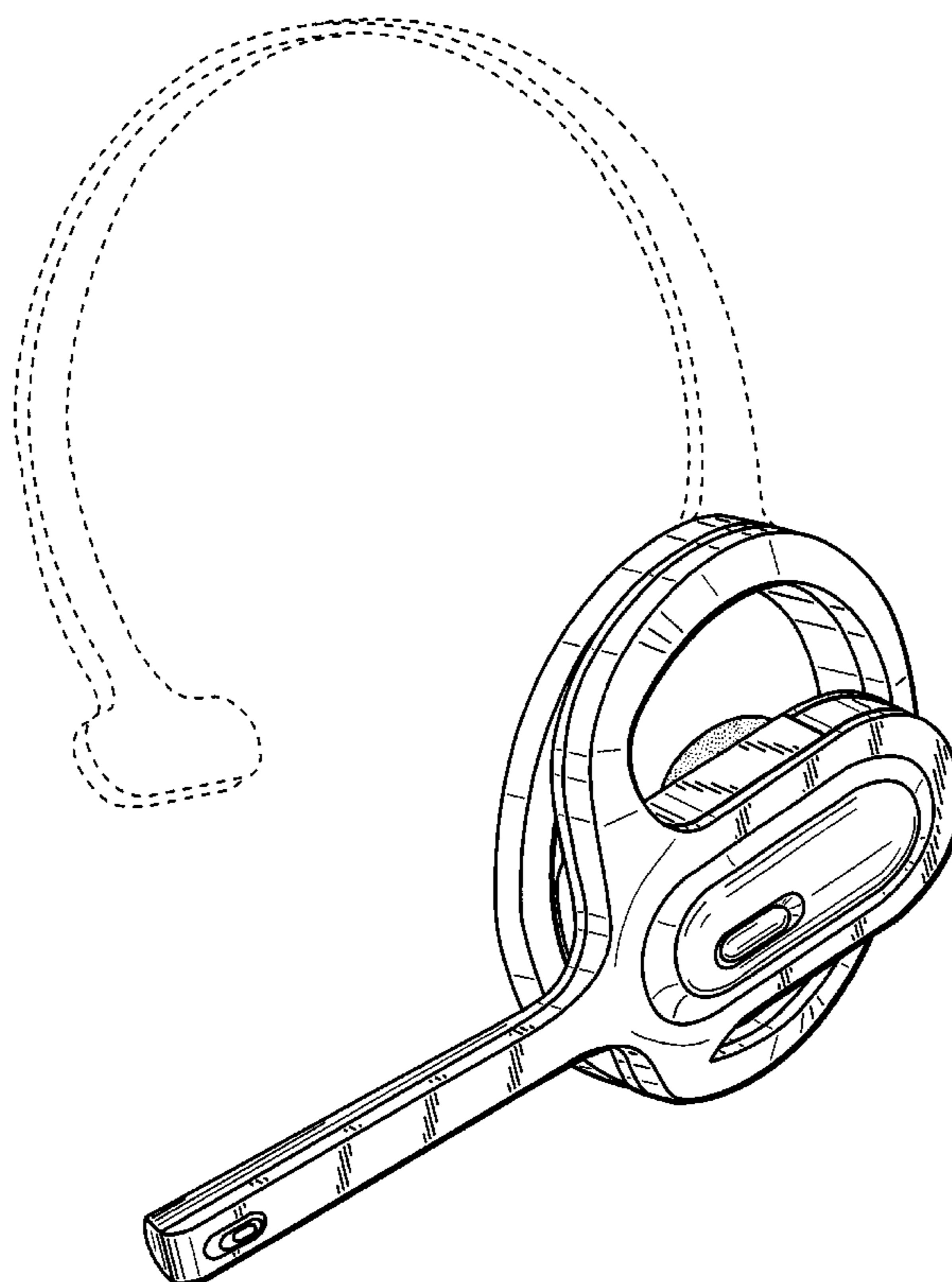
FIG. 5 is a rear elevational view;

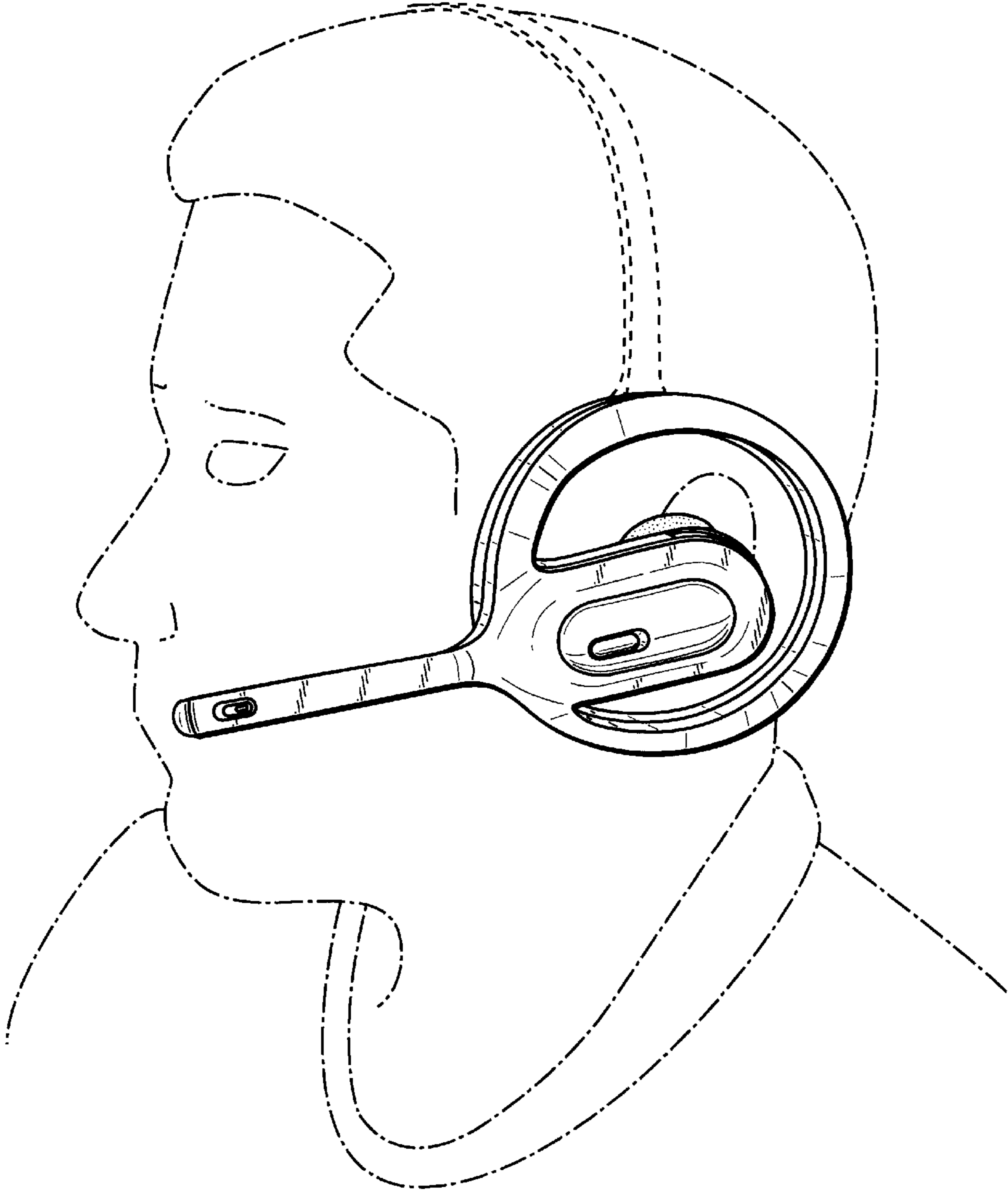
FIG. 6 is a left elevational view; and,

FIG. 7 is a right elevational view.

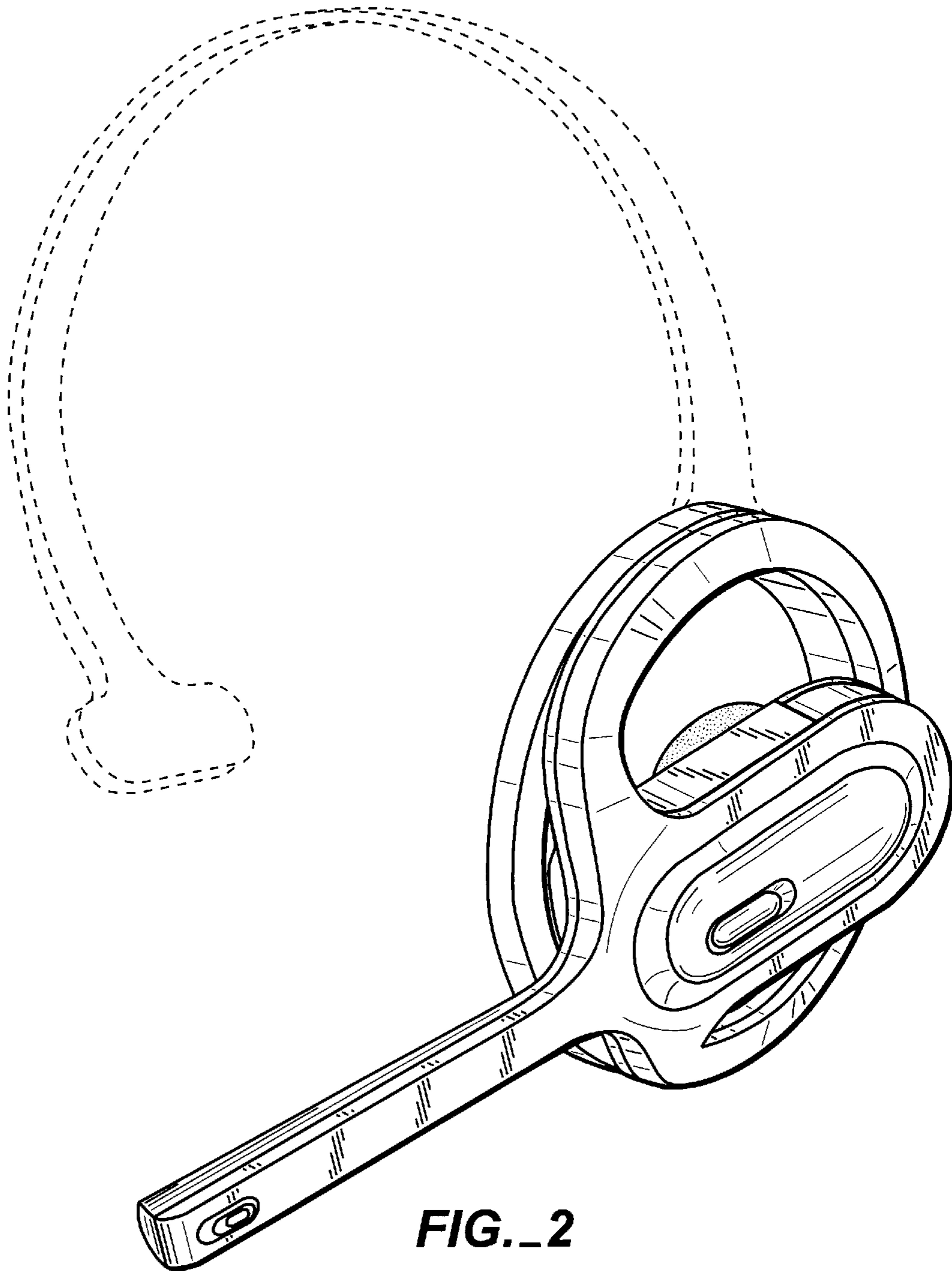
The broken line showing of the human form in FIG. 1 and headband in FIGS. 1 and 2 are for illustrative purposes only and forms no part of the claimed design.

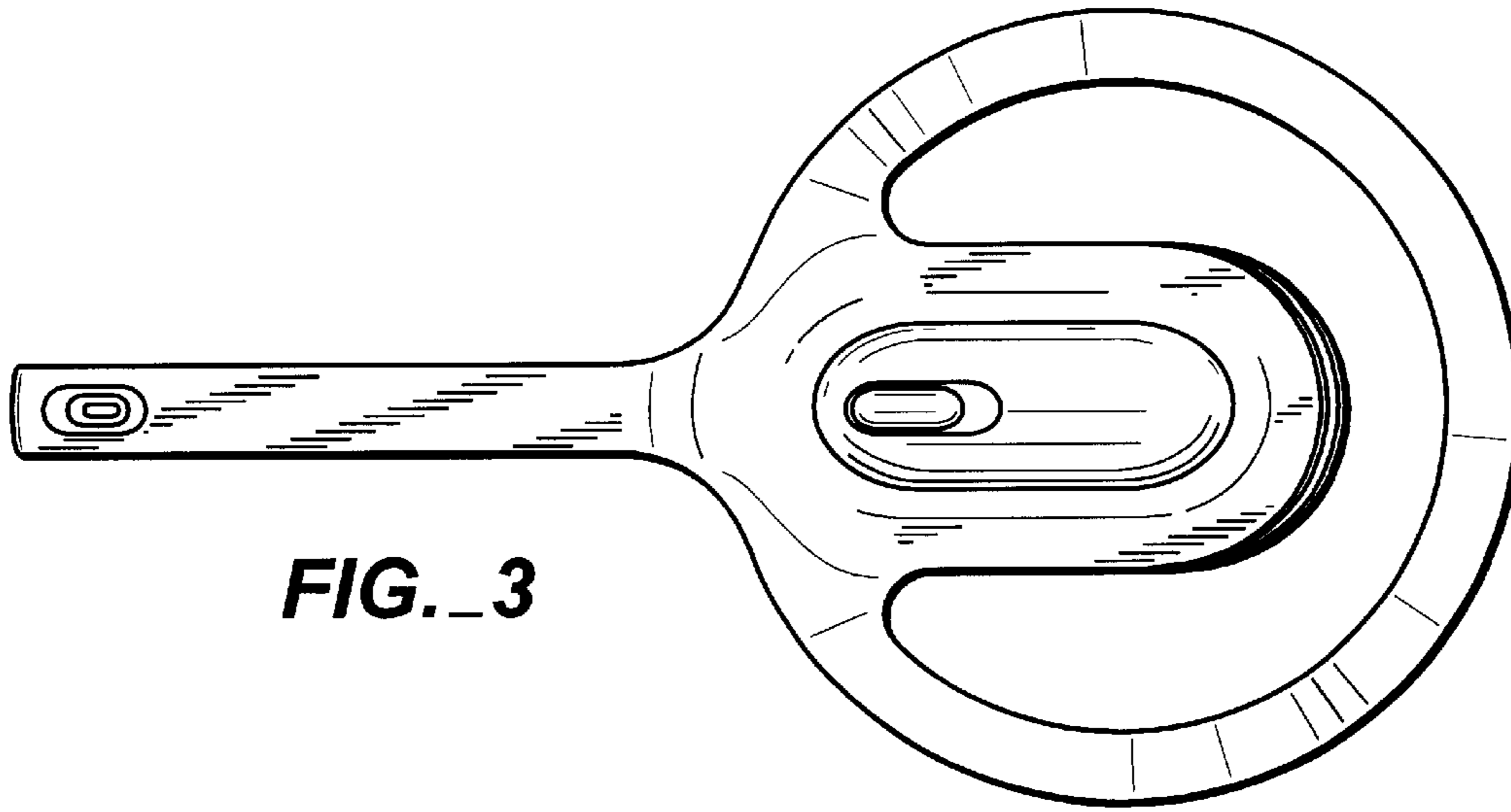
**1 Claim, 4 Drawing Sheets**



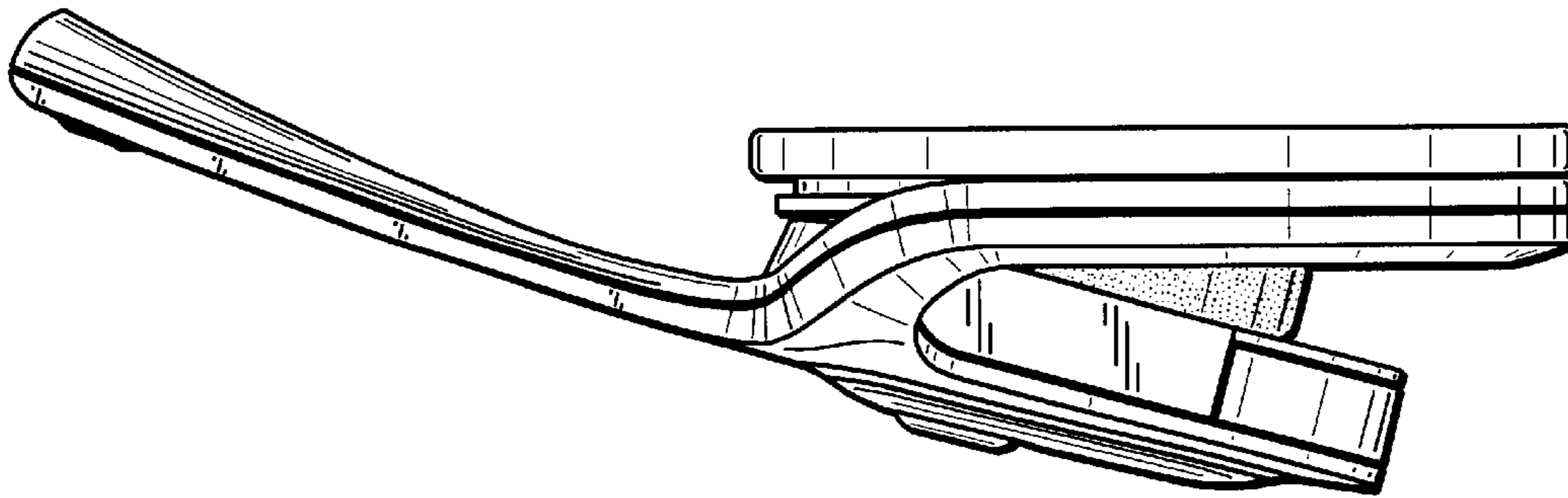


**FIG.\_1**

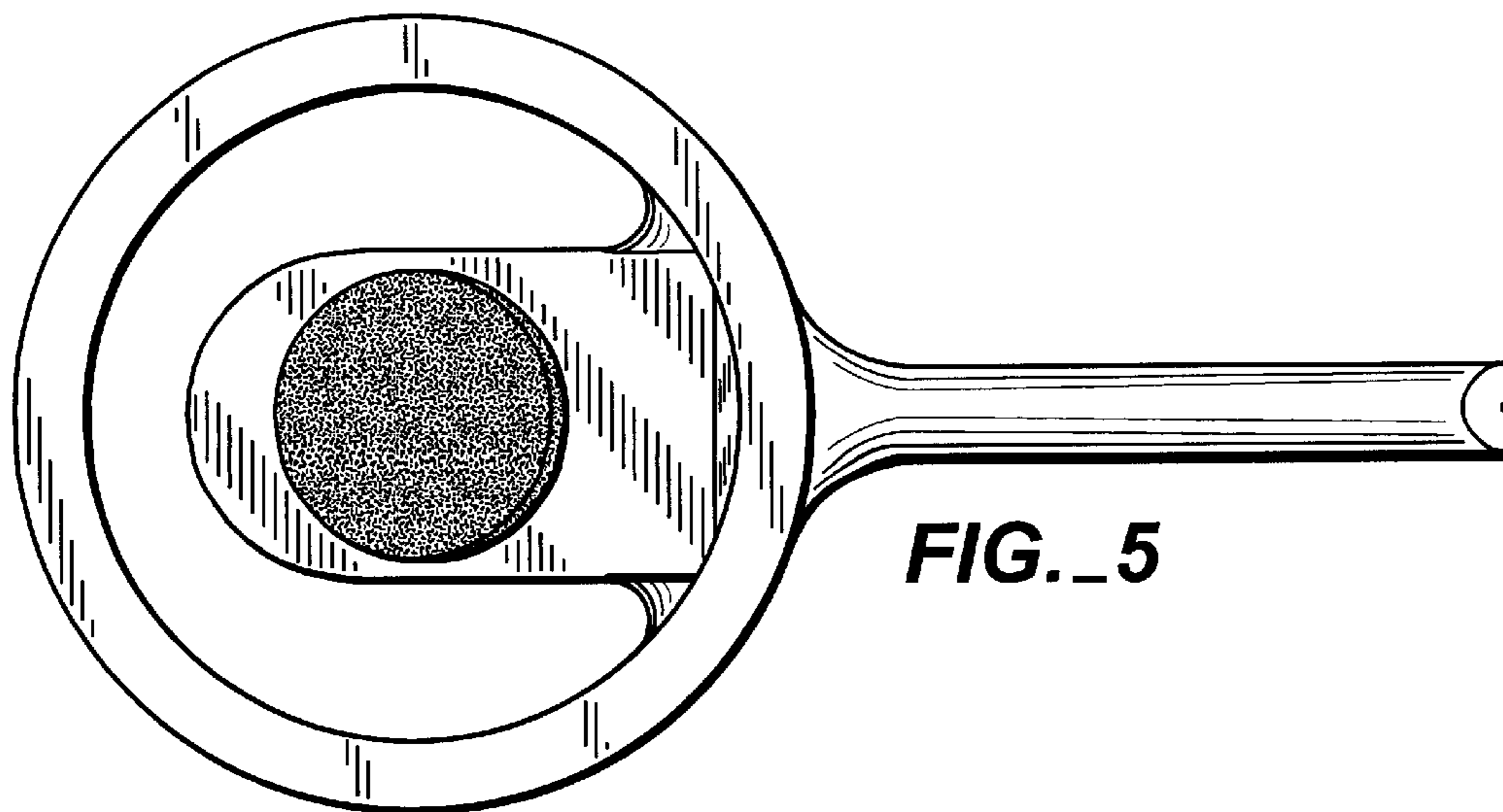




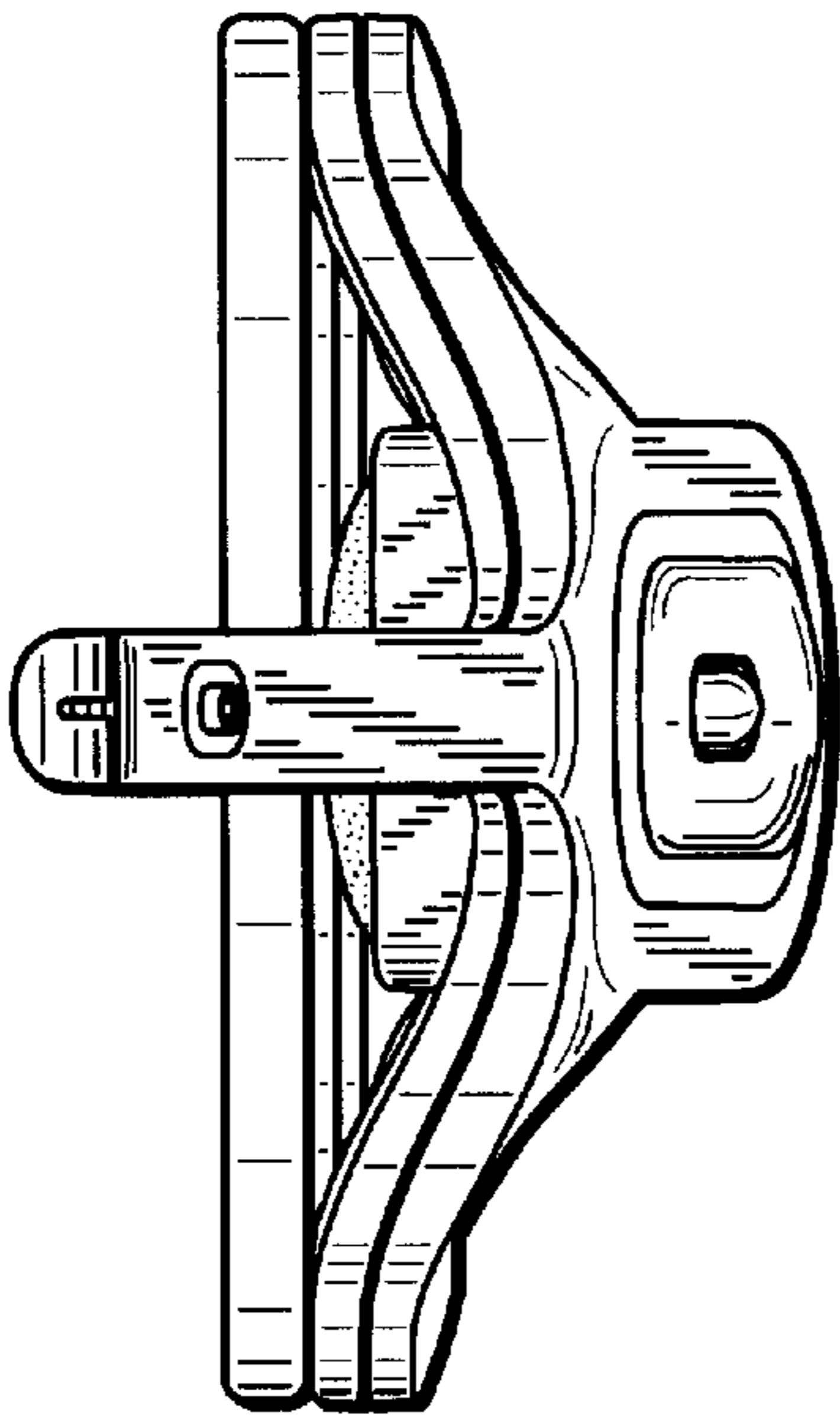
**FIG. 3**



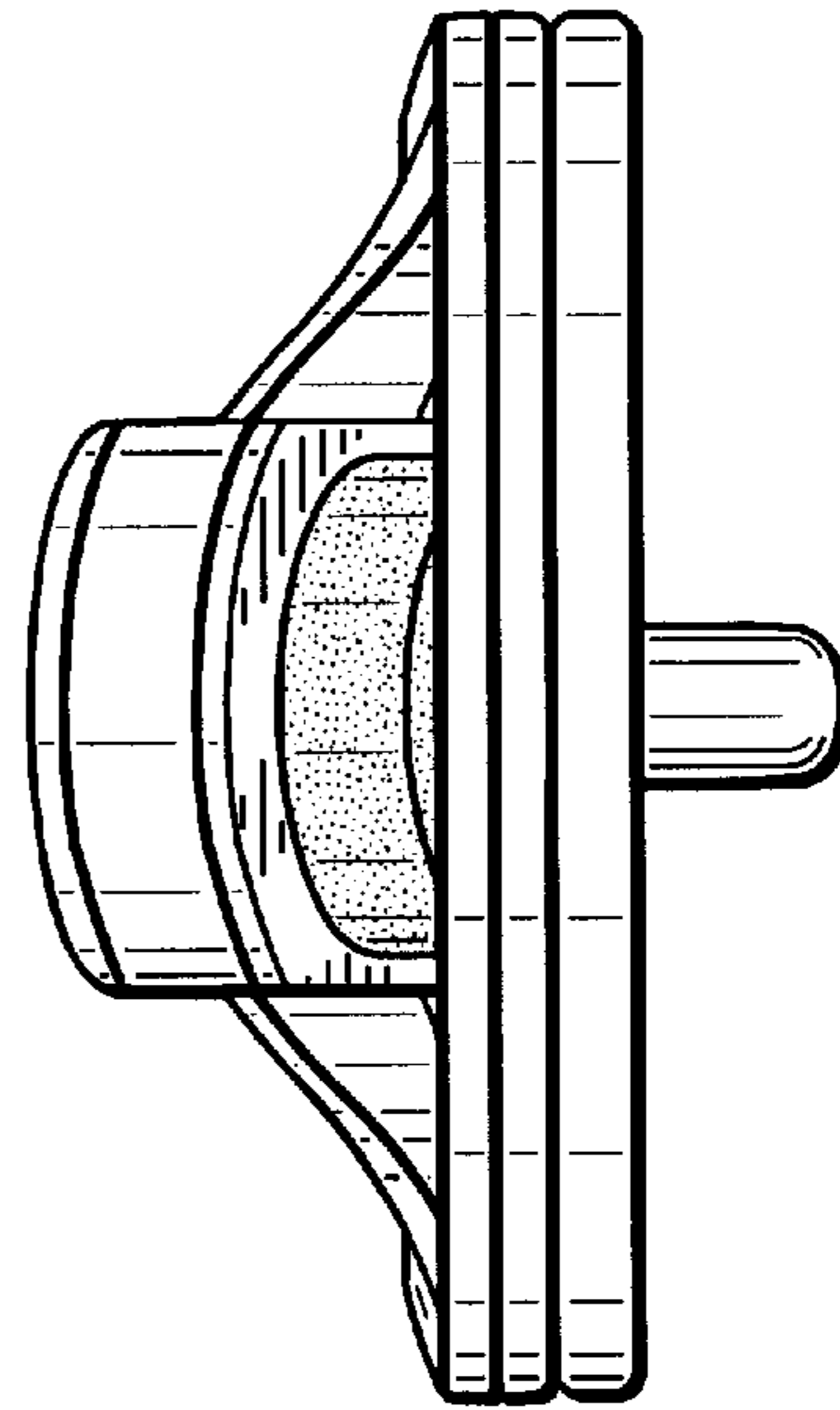
**FIG. 4**



**FIG. 5**



**FIG.\_6**



**FIG.\_7**