



US00D524794S

(12) **United States Design Patent**
Kim

(10) **Patent No.:** **US D524,794 S**

(45) **Date of Patent:** **** Jul. 11, 2006**

(54) **HEADPHONES**

(75) Inventor: **Sung Il Kim**, Seongnam (KR)

(73) Assignee: **MM Gear Co., Ltd.**, Seoul (KR)

(**) Term: **14 Years**

(21) Appl. No.: **29/243,092**

(22) Filed: **May 4, 2004**

(51) **LOC (8) Cl.** **14-01**

(52) **U.S. Cl.** **D14/205**

(58) **Field of Classification Search** D14/192,
D14/205, 206, 223; D29/112; 181/129, 130;
381/379, 380, 381, 309; 379/430, 431; 2/209
See application file for complete search history.

(56) **References Cited**

U.S. PATENT DOCUMENTS

D203,677 S	*	2/1966	Spilman et al.	D14/205
D238,184 S	*	12/1975	Ohtomo	D14/205
3,984,885 A	*	10/1976	Yoshimura et al.	381/309
D313,092 S	*	12/1990	Nilsson	D29/112
5,068,923 A	*	12/1991	Sjoqvist	2/209
D353,818 S	*	12/1994	Nakamura	D14/205

D420,356 S	*	2/2000	Suzuki	D14/205
D497,608 S	*	10/2004	Birgersson	D14/205

* cited by examiner

Primary Examiner—Paula A. Greene

(74) *Attorney, Agent, or Firm*—Lowe Hauptman Berner, LLP

(57) **CLAIM**

I claim the ornamental design for headphones, as shown and described.

DESCRIPTION

FIG. 1 is a perspective view of headphones showing my new design;

FIG. 2 is a front elevational view thereof, the rear side being a mirror image;

FIG. 3 is a left side elevational view thereof, the right side being a mirror image;

FIG. 4 is a top plan view thereof;

FIG. 5 is a bottom plan view thereof; and,

FIG. 6 is a reference perspective view thereof, in which both sides of the headphones are folded inwardly.

1 Claim, 6 Drawing Sheets

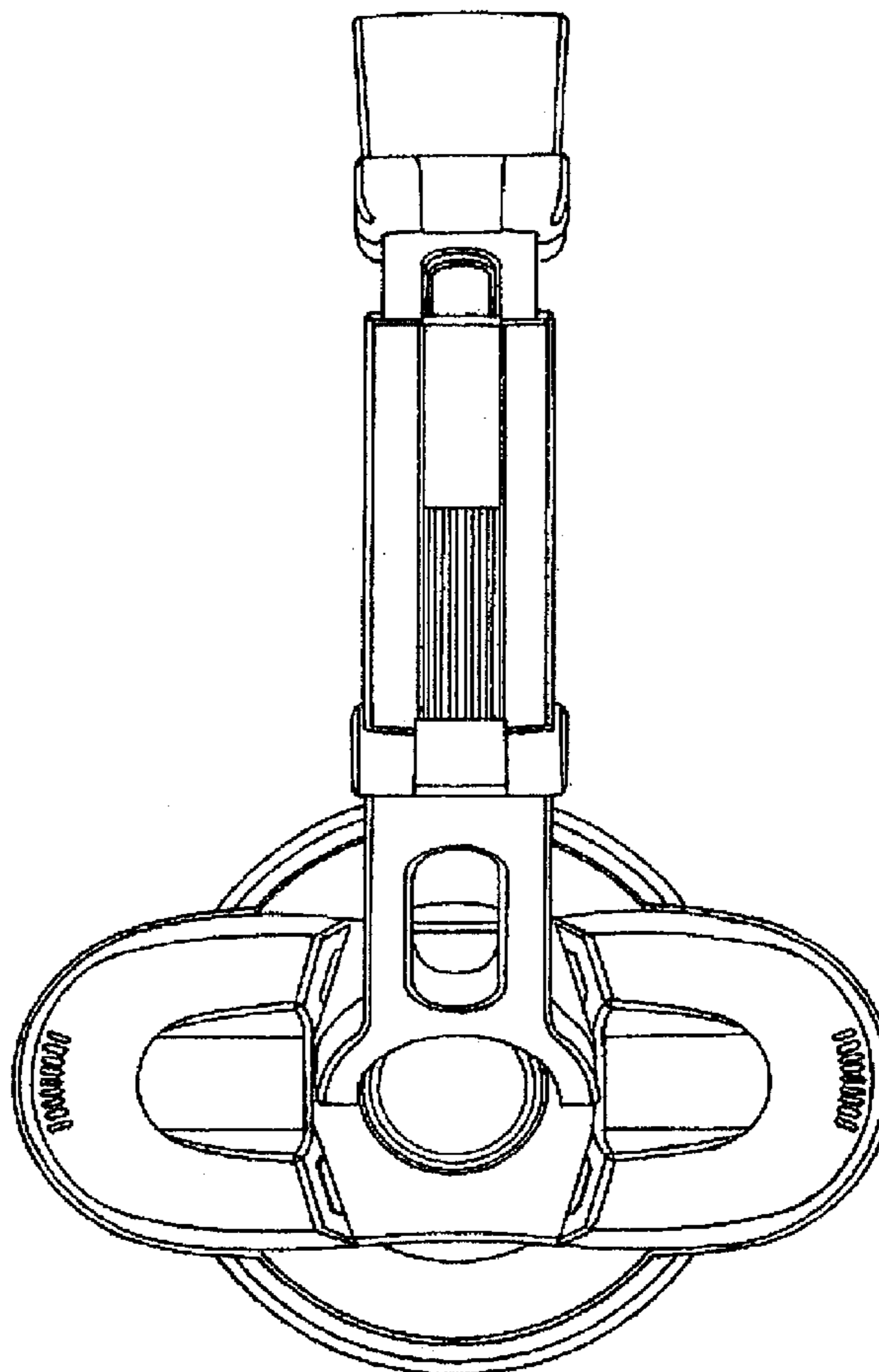
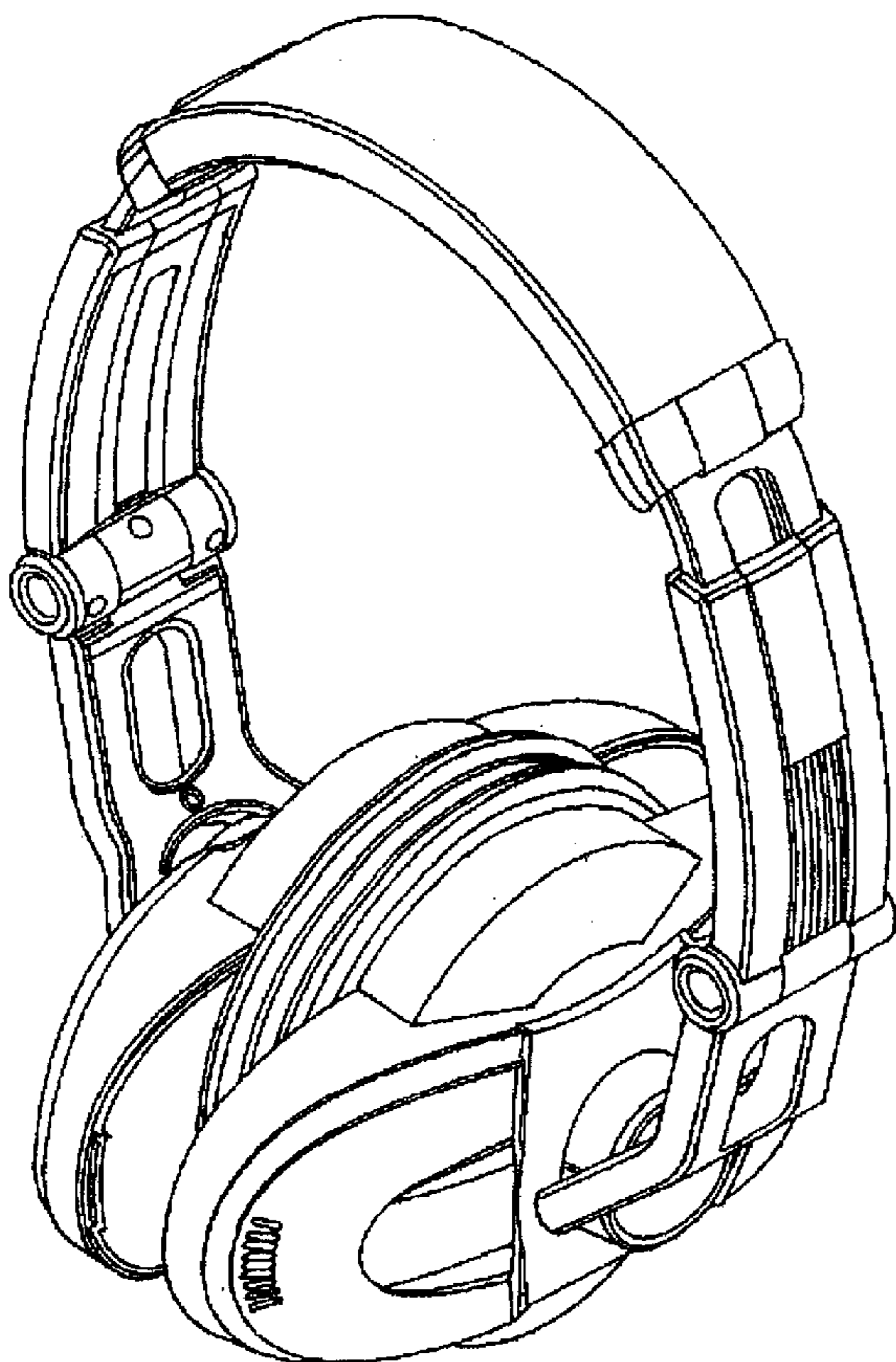


FIG. 1

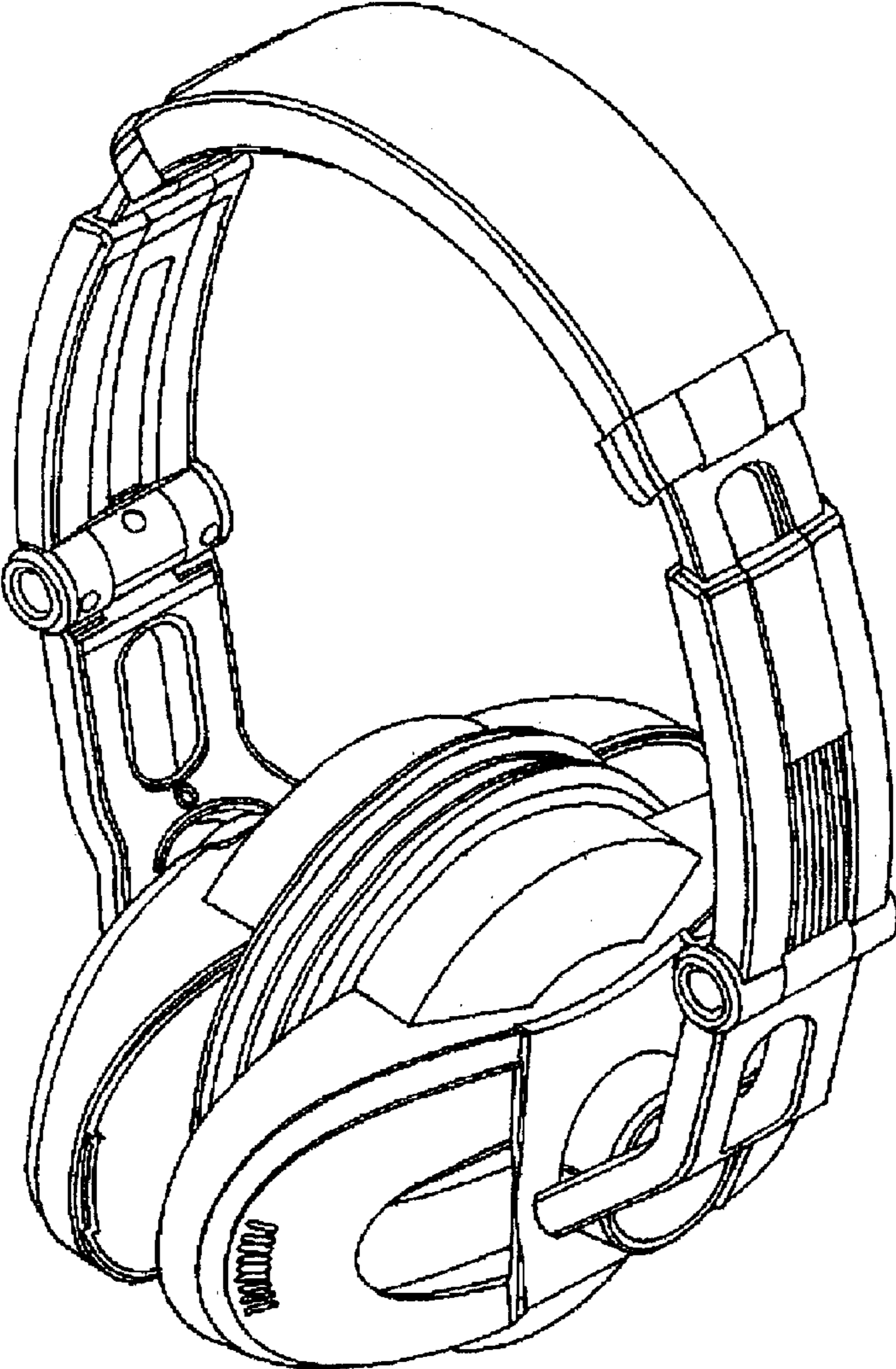


FIG. 2

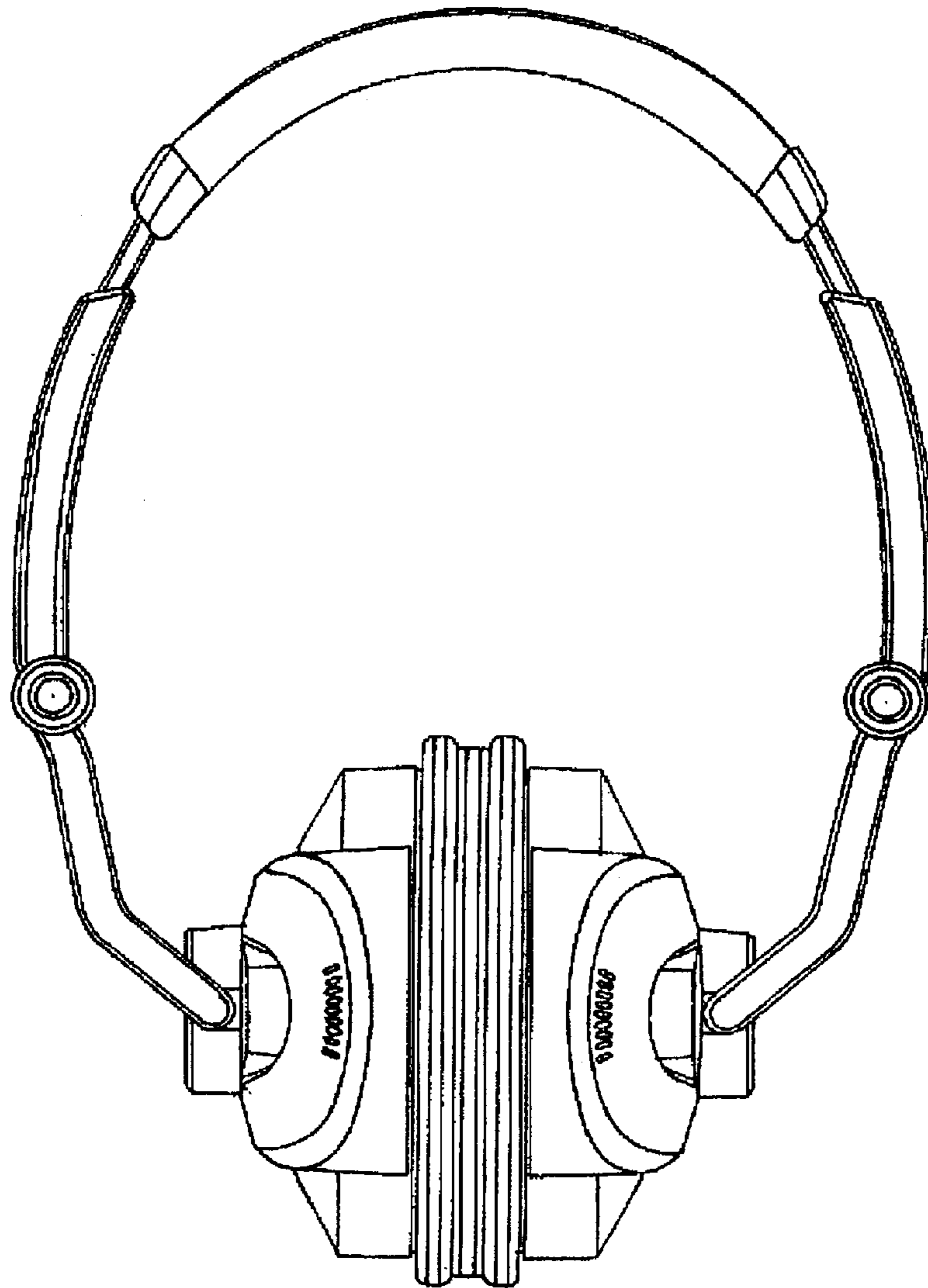


FIG. 3

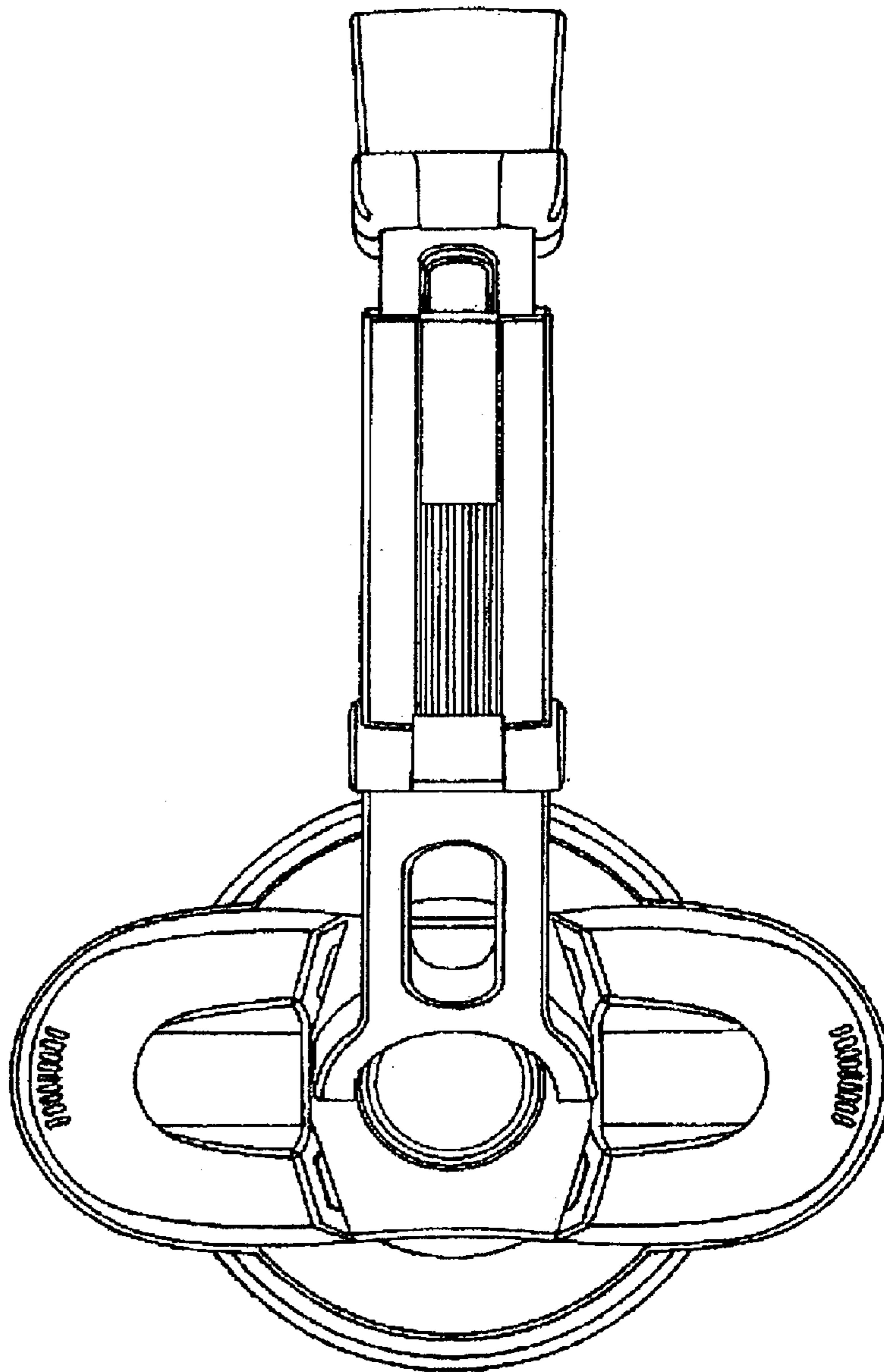


FIG. 4

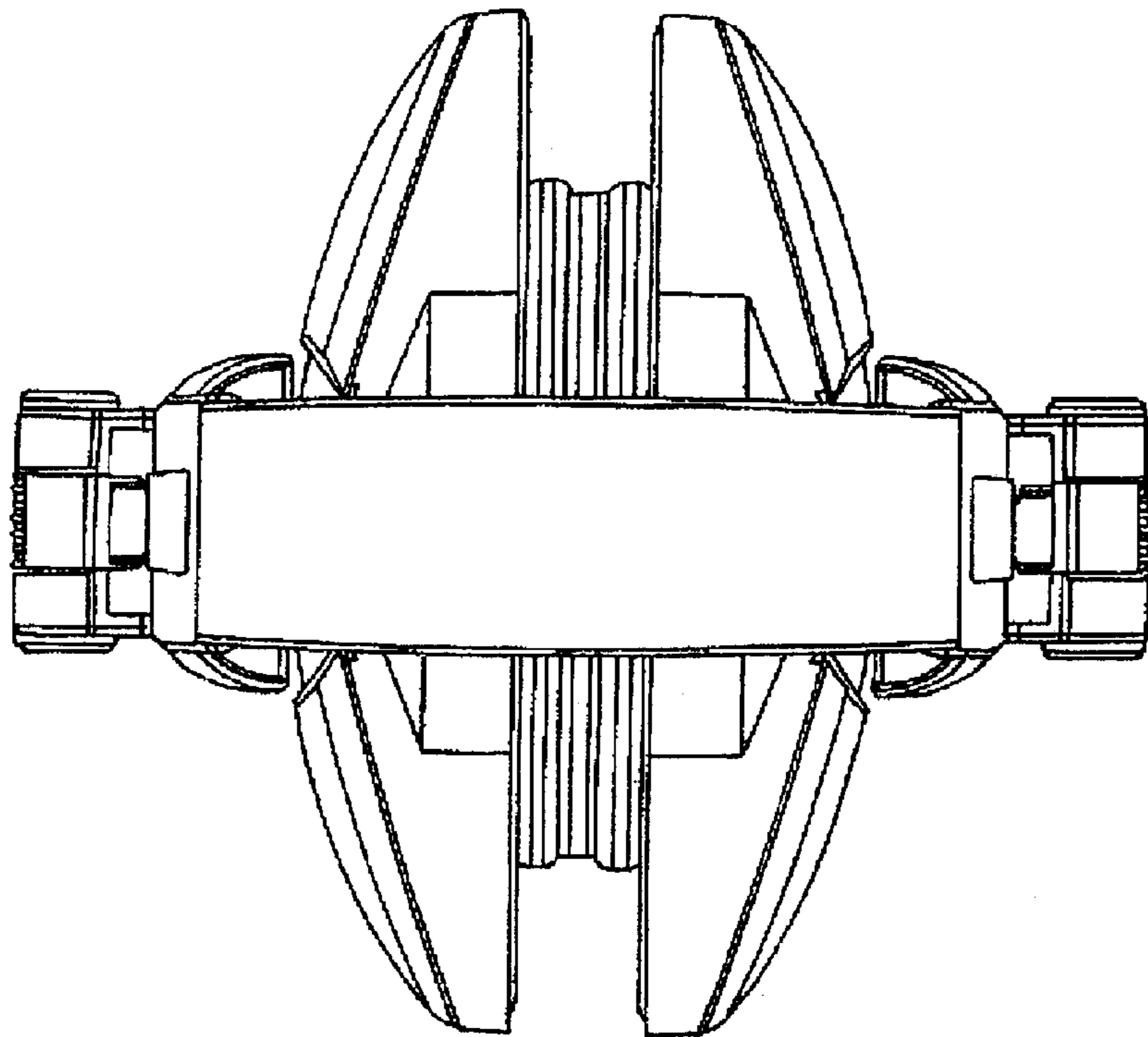


FIG. 5

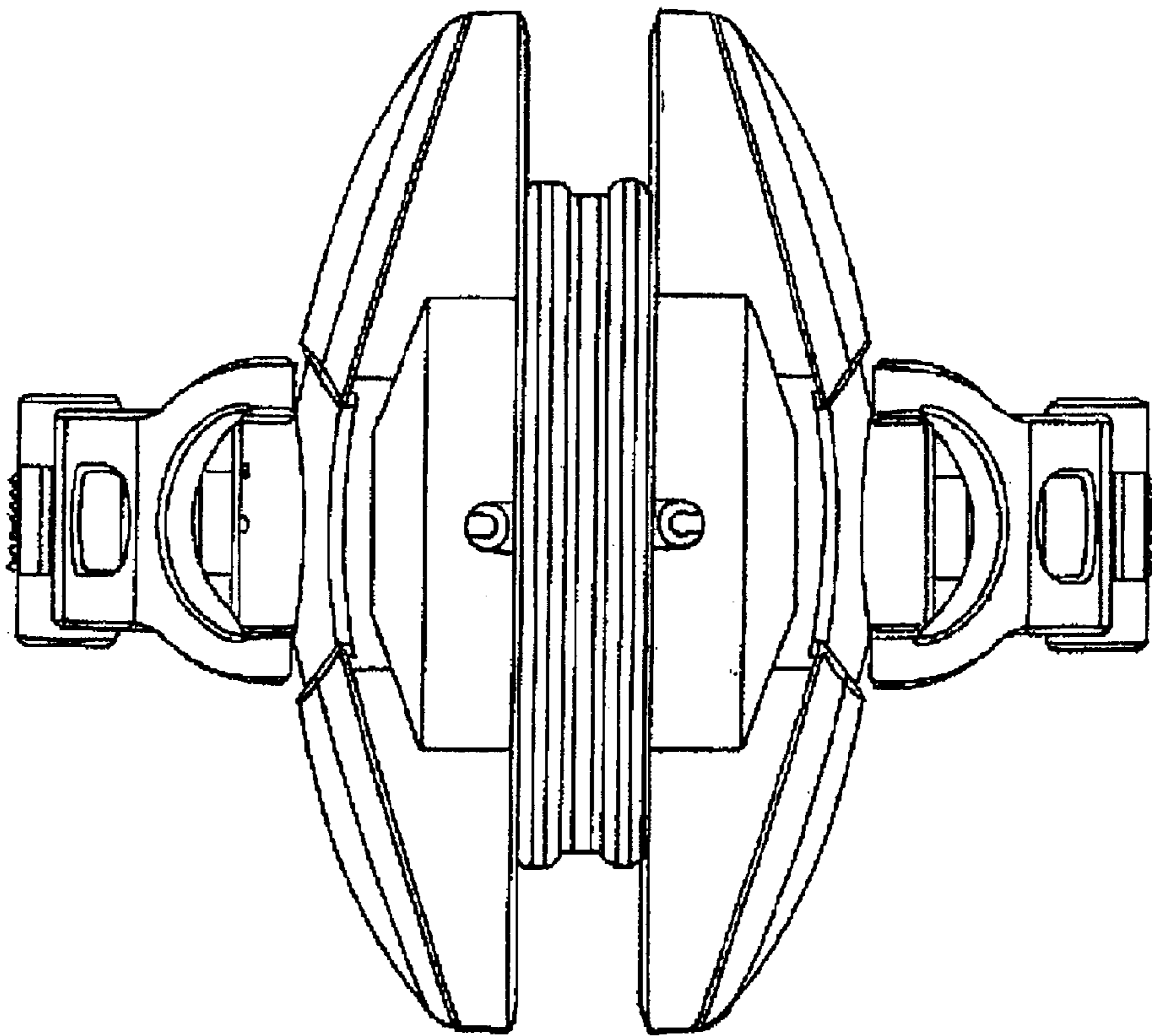


FIG. 6

