

US00D524788S

(12) **United States Design Patent**
Beard

(10) **Patent No.:** **US D524,788 S**

(45) **Date of Patent:** **** Jul. 11, 2006**

(54) **CELL PHONE HOUSING**

(76) Inventor: **Thomas R. Beard**, 4444 Moore La.,
Healdsburg, CA (US) 95448

(**) Term: **14 Years**

(21) Appl. No.: **29/228,117**

(22) Filed: **Apr. 20, 2005**

(51) **LOC (8) Cl.** **14-03**

(52) **U.S. Cl.** **D14/138**; D14/143

(58) **Field of Classification Search** D14/138,
D14/142, 143, 147, 148, 149, 151, 243, 249,
D14/251-253; D17/14; D21/405, 517; 455/90.3,
455/556.1, 556.2, 566, 575.1; 379/433.01-433.13,
379/434

See application file for complete search history.

(56) **References Cited**

U.S. PATENT DOCUMENTS

D164,227 S	*	8/1951	Fender	D17/14
D197,627 S	*	3/1964	Burns	D17/14
D215,354 S	*	9/1969	Broussard	D17/14
D248,254 S	*	6/1978	Miller	D26/94
D258,290 S	*	2/1981	Hayashi	D17/14
D258,363 S	*	2/1981	Weindel et al.	D17/1
D258,739 S	*	3/1981	Todd, III	D17/14
D269,180 S	*	5/1983	Ridings	D14/189
D274,733 S	*	7/1984	Hampton et al.	D17/14
D276,722 S	*	12/1984	Festa	D14/143
D280,521 S	*	9/1985	Wechter	D17/19
D286,400 S	*	10/1986	Moller	D14/143
D350,744 S	*	9/1994	Hino	D14/138
D371,126 S	*	6/1996	Bro	D14/138
D373,127 S	*	8/1996	Godee et al.	D14/248
5,555,449 A	*	9/1996	Kim	455/575.7
5,706,332 A	*	1/1998	Nagai	455/575.3
5,715,311 A	*	2/1998	Sudo et al.	379/433.01
D396,464 S	*	7/1998	Bradford	D14/138
D406,587 S	*	3/1999	Wicks et al.	D14/138

(Continued)

OTHER PUBLICATIONS

“Telemania Gibson Guitar Novelty Telephone”, 2 pages,
[online], URL: <http://64.233.161.104/search?q=cache:D4Sxokile9sJ:wantitnow.ebay.com/ws/eBayISAPI.dll%3FWantItNowView%26adid%3D6461821697+guitar+phone&hl=en>, cache as retrieved on Jan. 15, 2006.*

“Electric Guitar Phone”, 1 pg, page updated Mar. 9, 2001,
[online], <URL: [HTTP://www.noveltytelephone.com/products/electricguitar.html](http://www.noveltytelephone.com/products/electricguitar.html)> entered into Internet Archive Way-BackMachine at <<http://www.archive.org>>.*

Primary Examiner—Jeffrey D. Asch

Assistant Examiner—C. J. Wright

(74) *Attorney, Agent, or Firm*—Johnson & Stainbrook LLP;
Craig M. Stainbrook; Larry D. Johnson

(57) **CLAIM**

The ornamental design for a cell phone housing, as shown
and described.

DESCRIPTION

FIG. 1 is a lower right front perspective view in off mode.
FIG. 2 is an upper left rear perspective view in off mode.
FIG. 3 is a lower right front perspective view in answer
mode.

FIG. 4 is an upper left rear perspective view in answer mode.

FIG. 5 is a front elevational view.

FIG. 6 is a right side elevational view.

FIG. 7 is a rear elevational view.

FIG. 8 is a left side elevational view.

FIG. 9 is a top plan view.

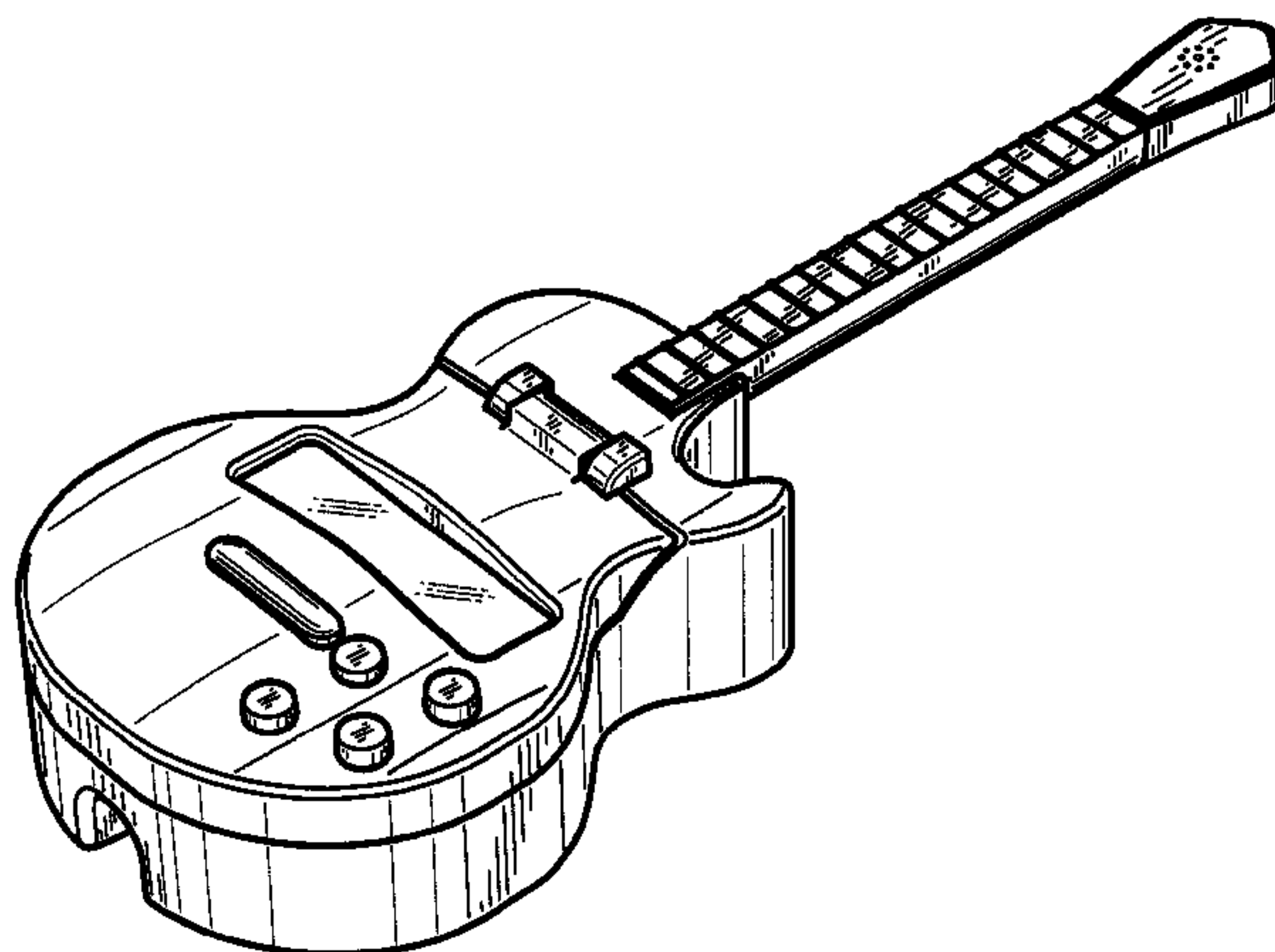
FIG. 10 is a bottom plan view.

FIG. 11 is a lower right front perspective view in open mode;
and,

FIG. 12 is an upper left rear perspective view in open mode.

The broken line showing of the keypad buttons in FIG. 11
is for illustrative purposes only and forms no part of the
claimed design.

1 Claim, 6 Drawing Sheets



US D524,788 S

Page 2

U.S. PATENT DOCUMENTS

5,940,503	A	*	8/1999	Palett et al.	379/454	6,137,883	A	*	10/2000	Kaschke et al.	379/433.07
D415,150	S	*	10/1999	Hasegawa et al.	D14/138	6,192,221	B1	*	2/2001	Hasegawa	455/575.3
5,982,883	A	*	11/1999	Alix et al.	379/433.12	D460,953	S	*	7/2002	Argle et al.	D14/138
6,052,464	A	*	4/2000	Harris et al.	379/433.07	D483,794	S	*	12/2003	Kwon	D17/14
6,052,567	A	*	4/2000	Ito et al.	455/575.7	D496,958	S	*	10/2004	Amiya	D17/14
D424,051	S	*	5/2000	Wicks et al.	D14/138	D509,200	S	*	9/2005	Harris	D14/138
6,101,402	A	*	8/2000	Bartha et al.	455/569.1	D510,333	S	*	10/2005	Lodato et al.	D14/138

* cited by examiner

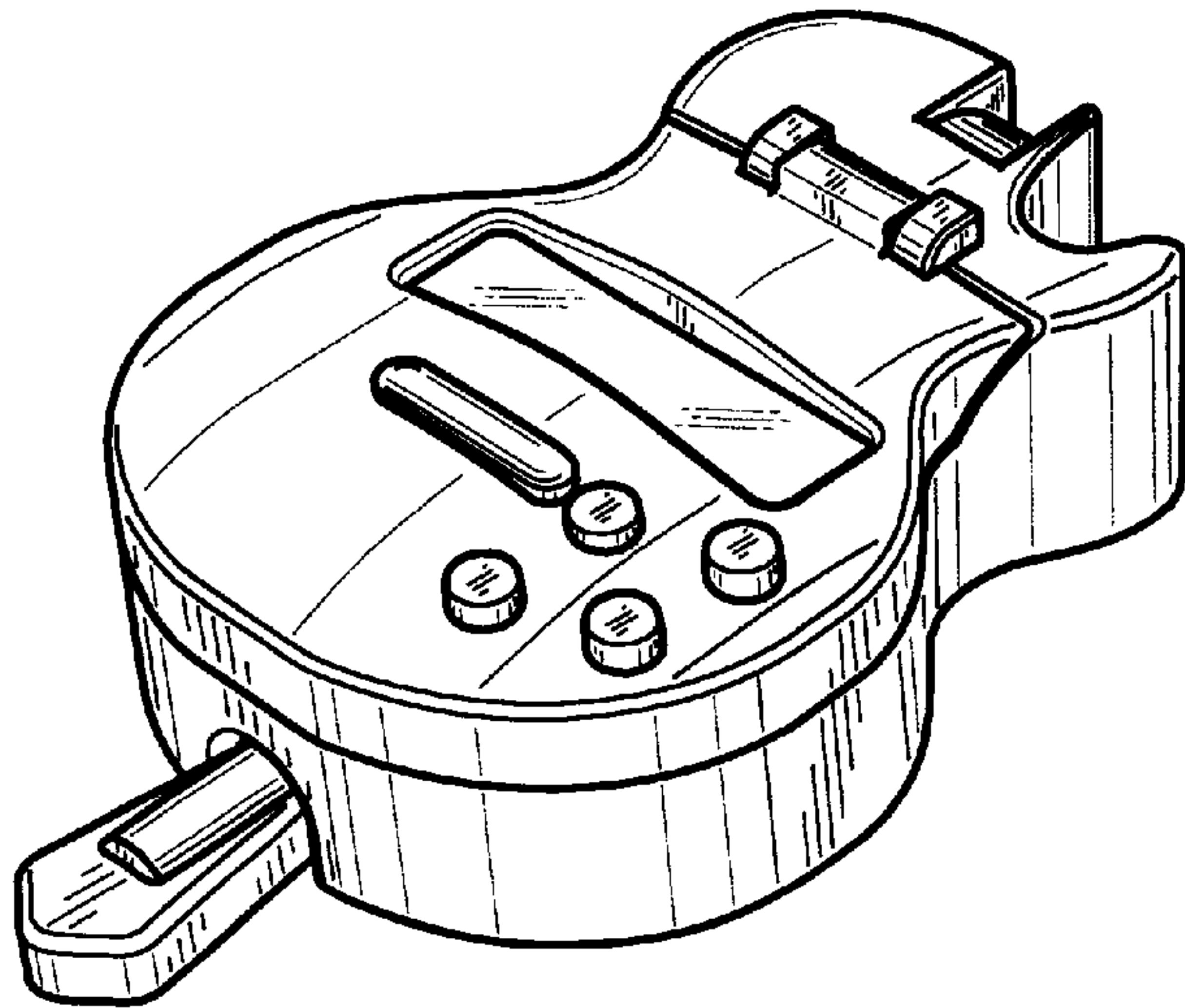


FIG. 1

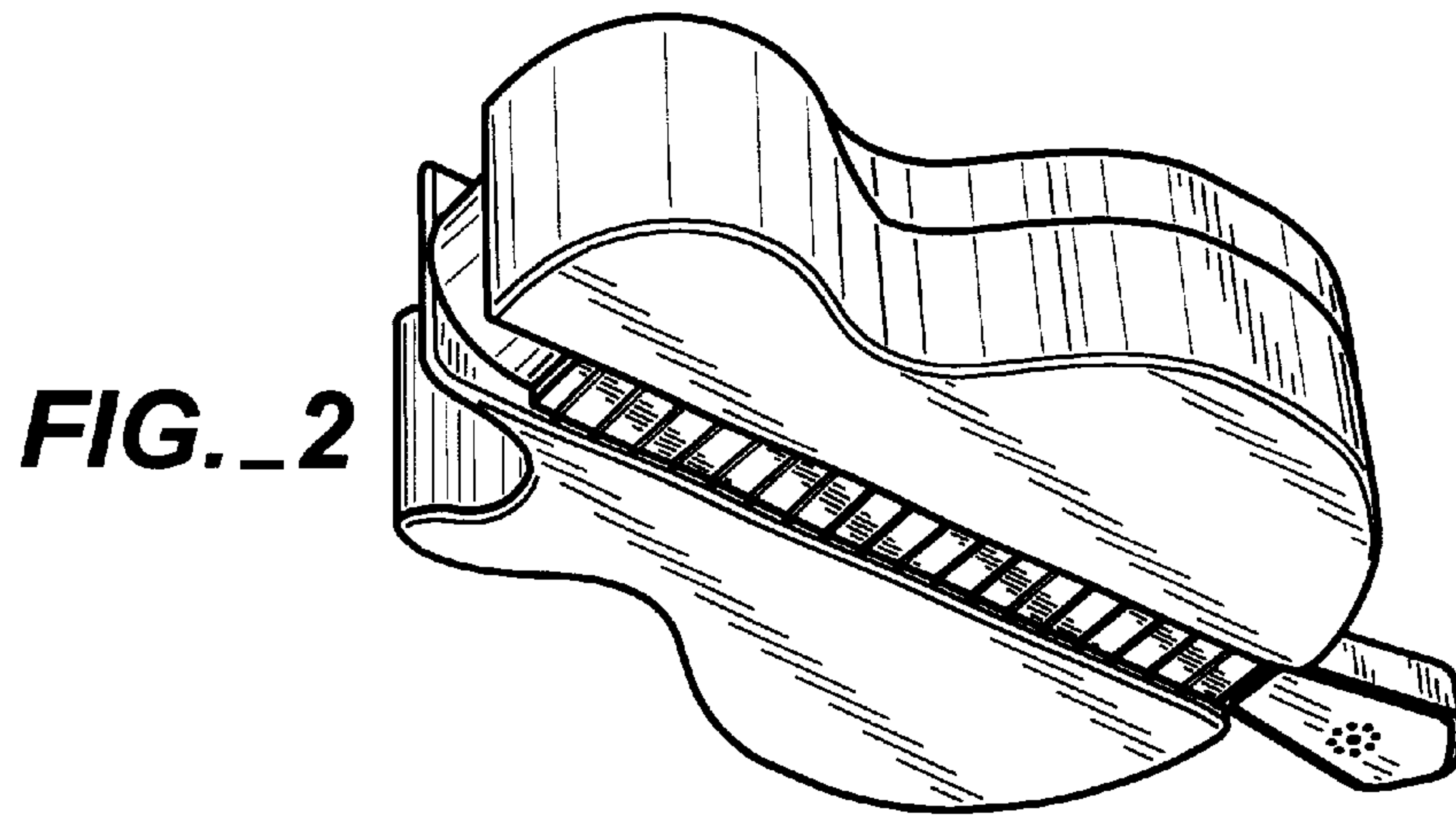


FIG. 2

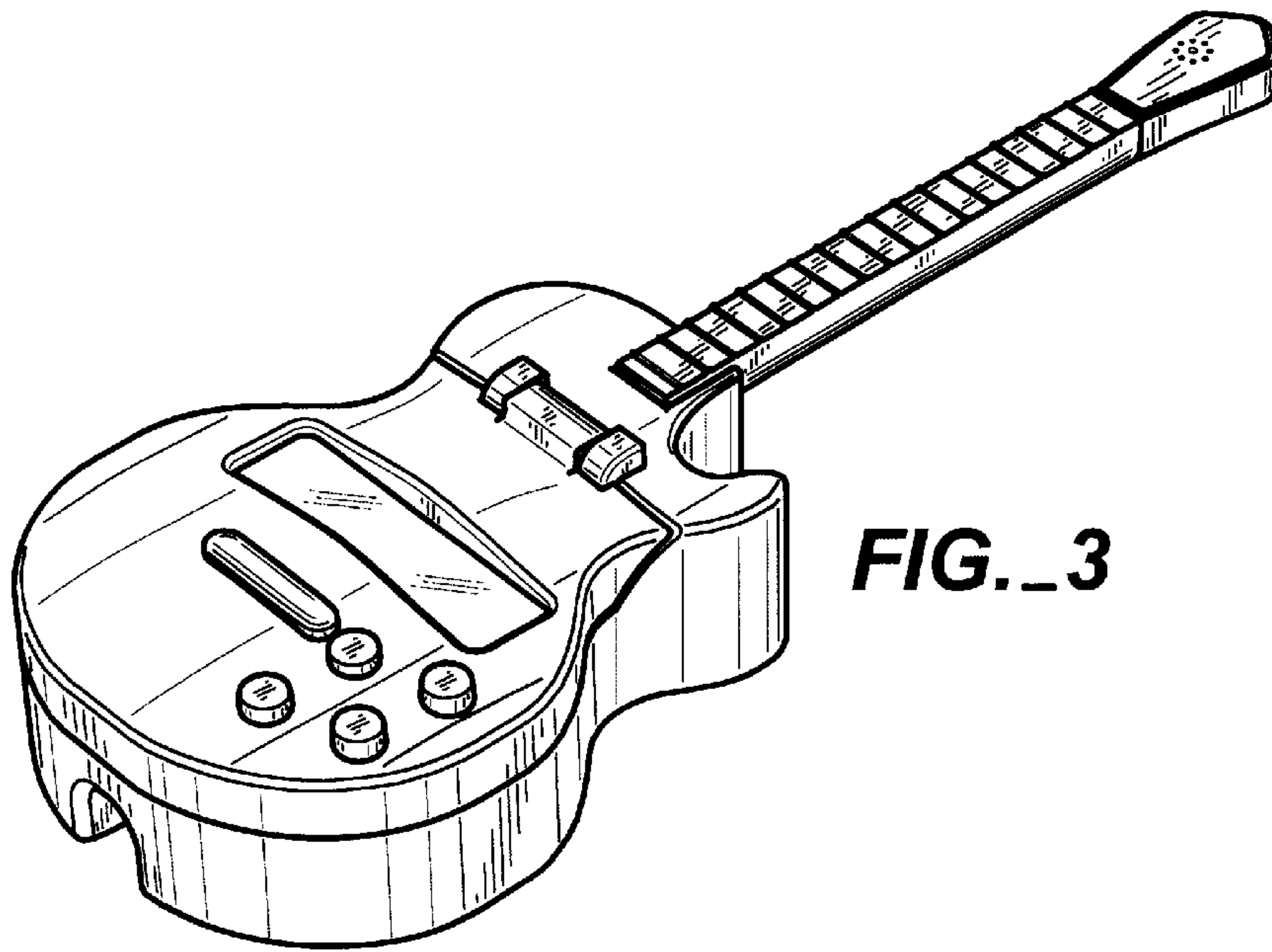


FIG. 3

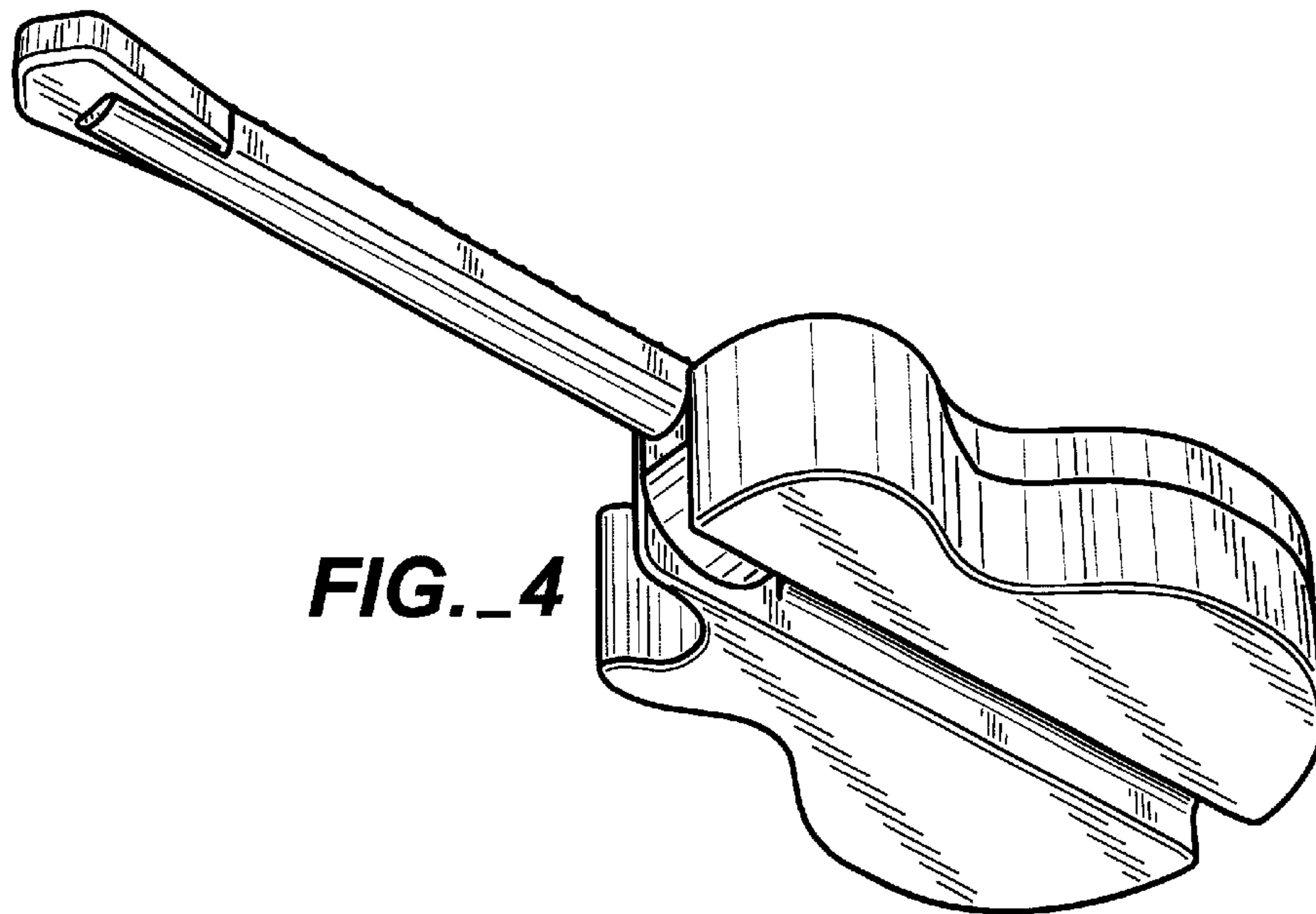


FIG. 4

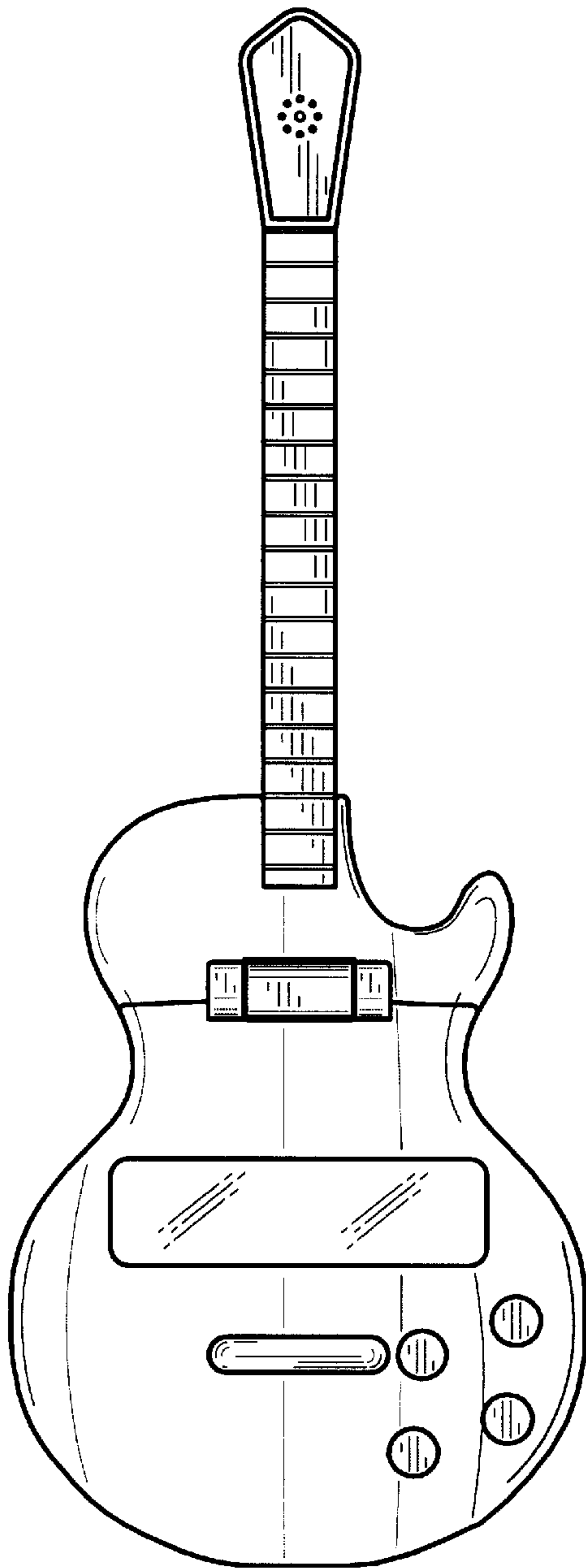


FIG._5

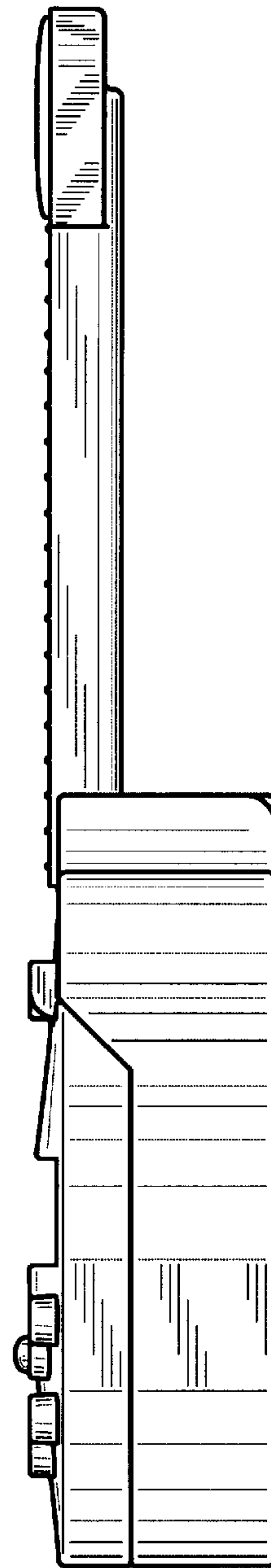


FIG._6

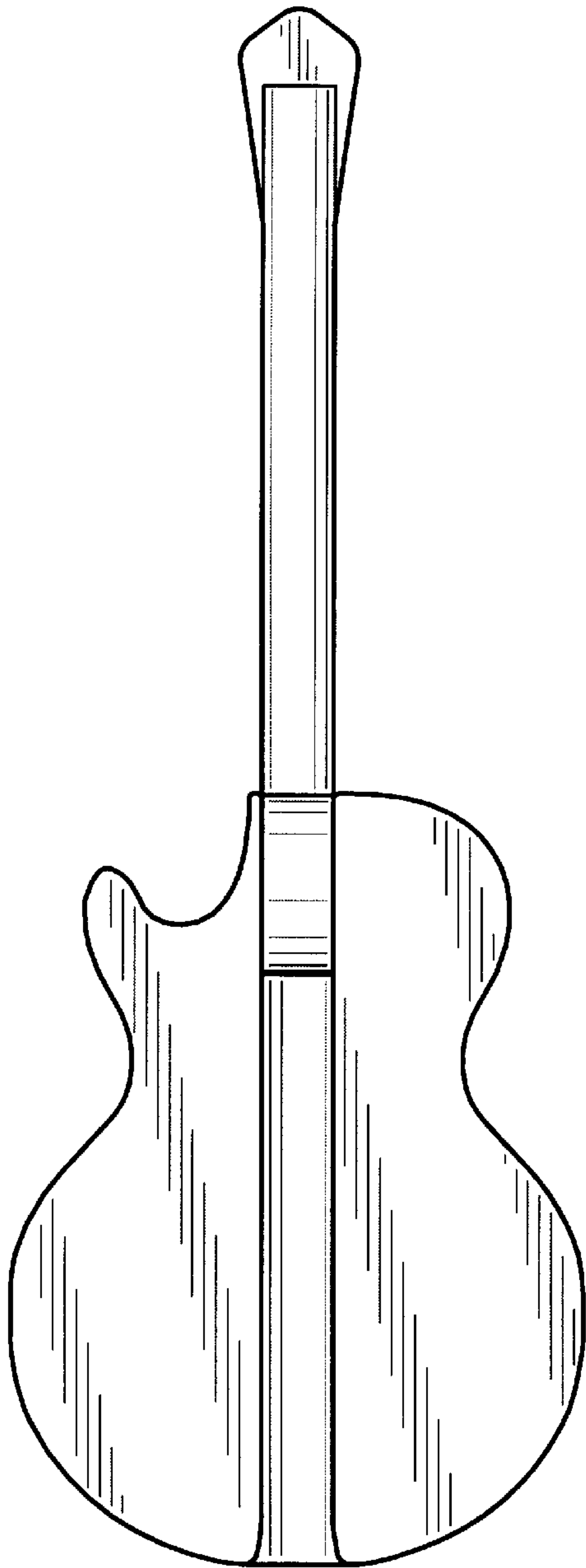


FIG._7

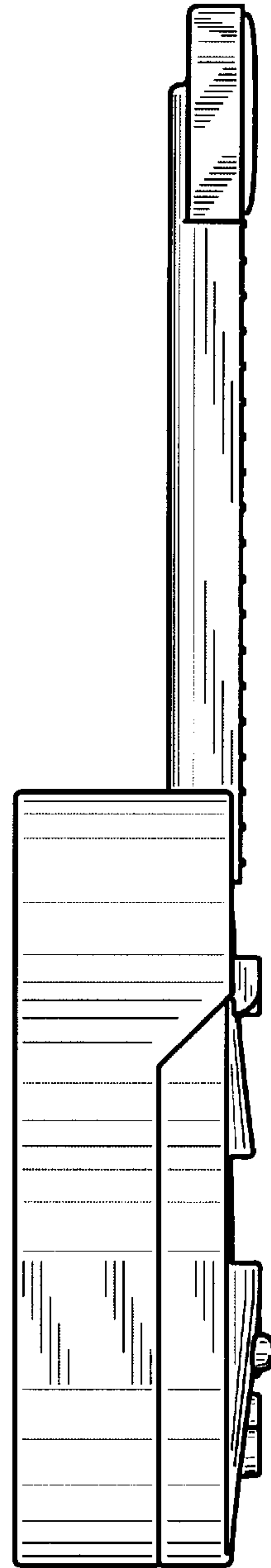


FIG._8

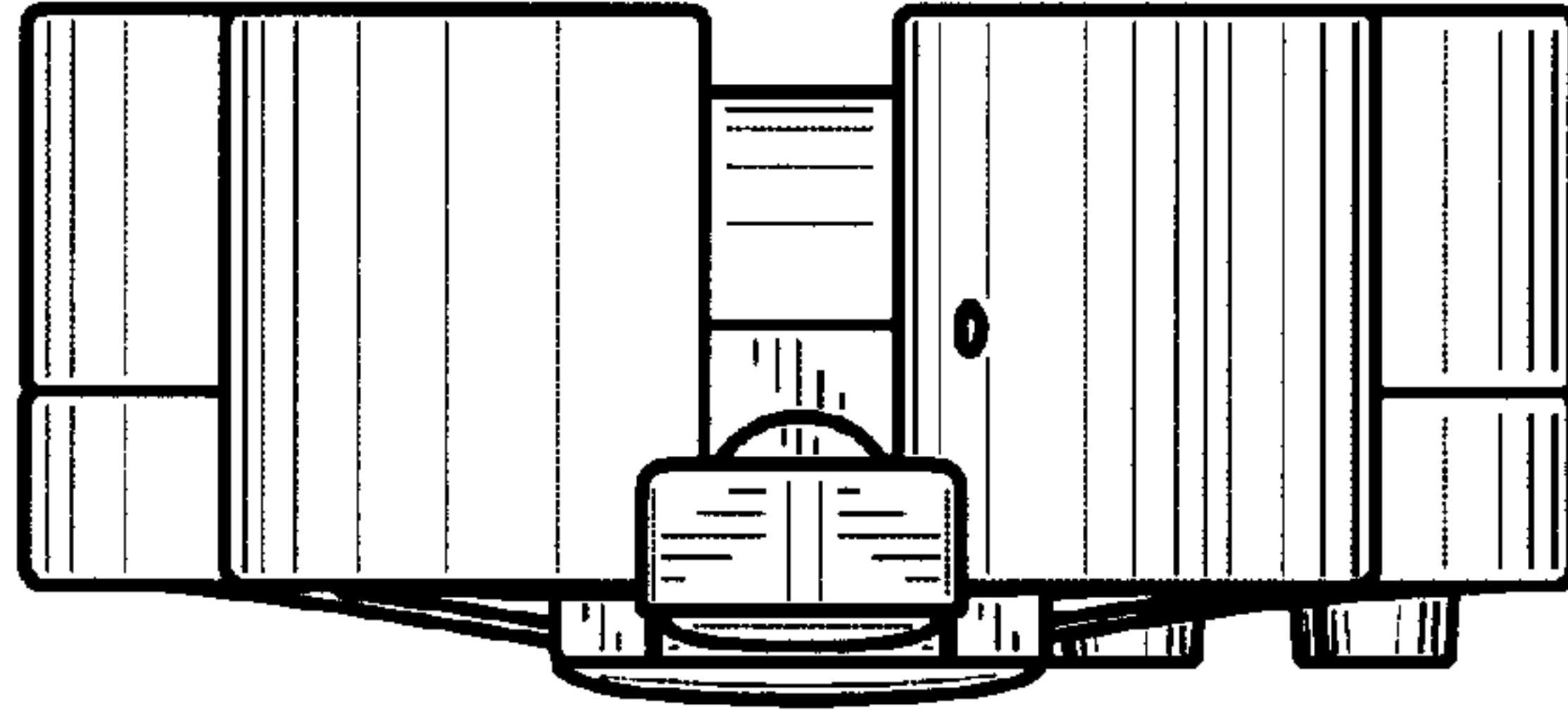


FIG._9

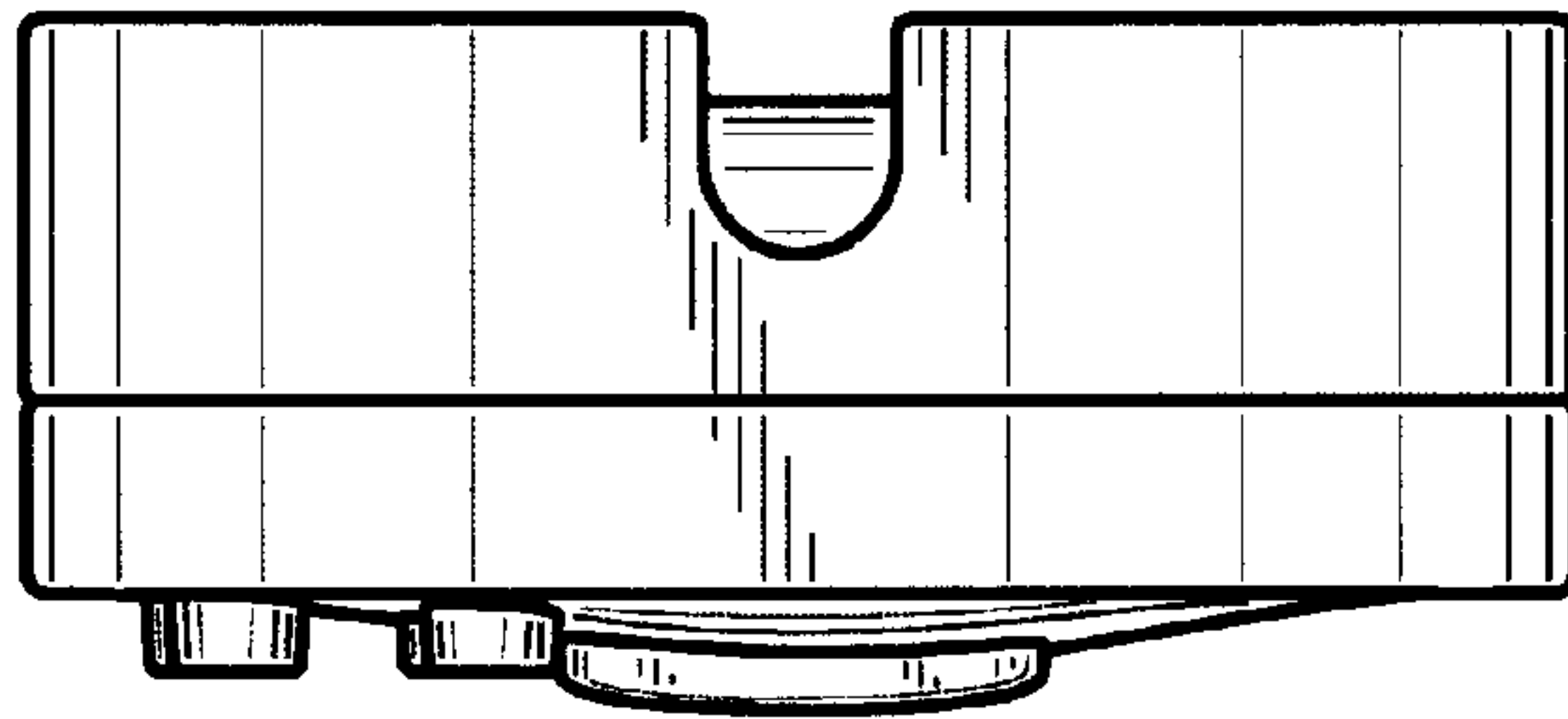


FIG._10

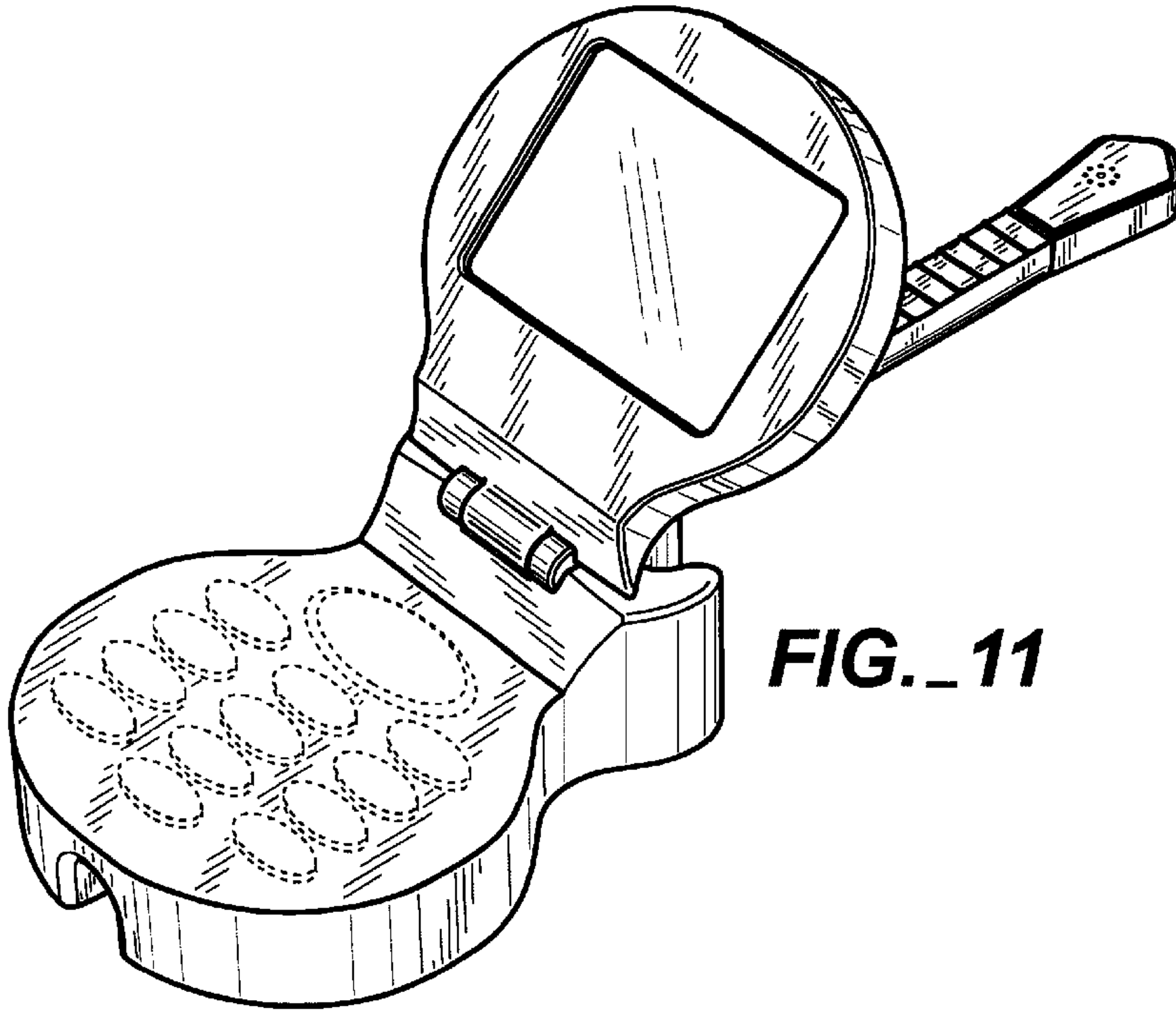


FIG. 11

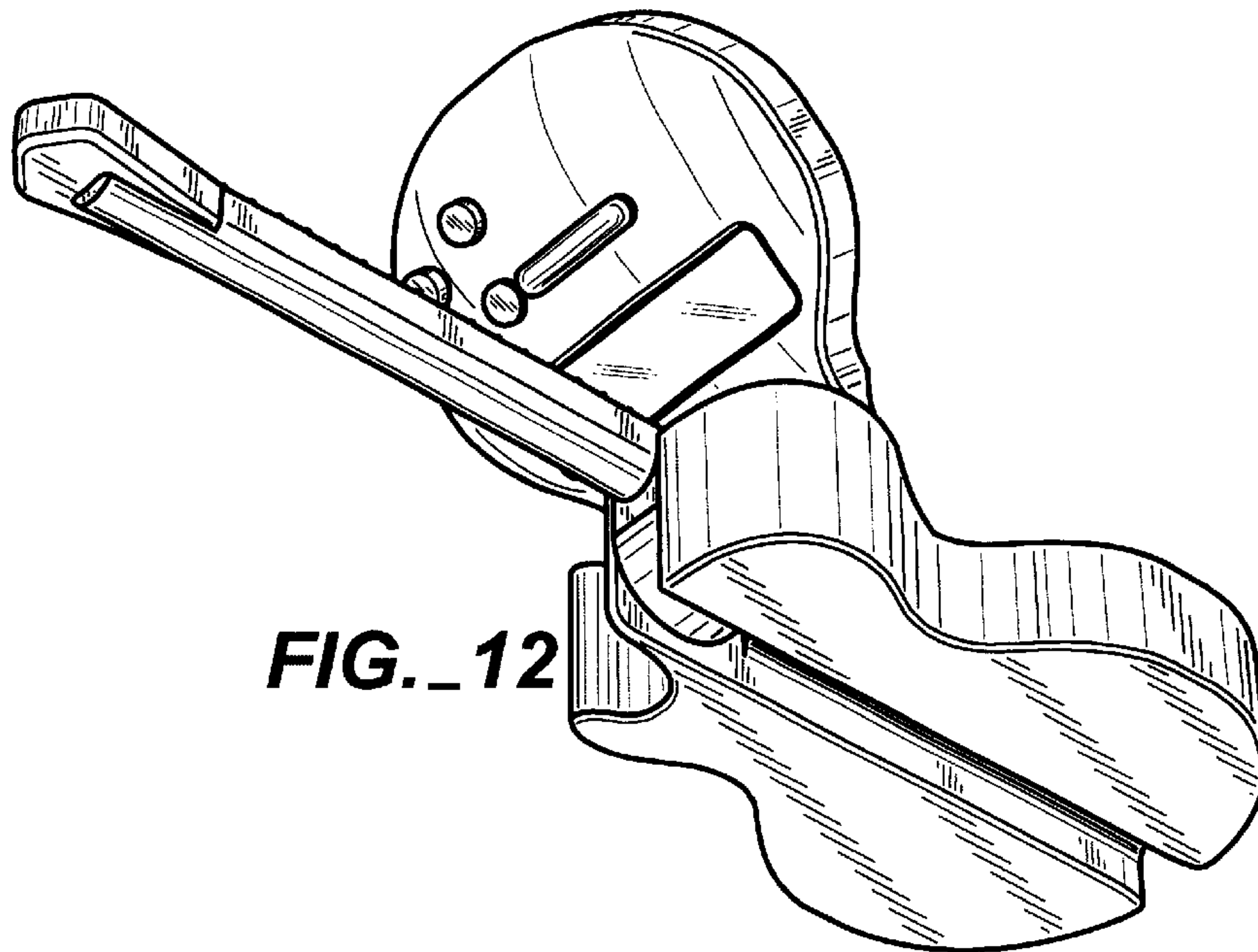


FIG. 12