



US00D524785S

(12) **United States Design Patent**
Huang

(10) **Patent No.:** **US D524,785 S**
(45) **Date of Patent:** **** Jul. 11, 2006**

(54) **MOBILE-PHONE THERMAL IMAGER**

(75) Inventor: **Li Huang**, No. 26, Shucheng Road,
Wuhan, P.R. (CN), 430070

(73) Assignee: **Li Huang**, Wuhan (CN)

(**) Term: **14 Years**

(21) Appl. No.: **29/222,967**

(22) Filed: **Feb. 7, 2005**

(51) **LOC (8) Cl.** **14-03**

(52) **U.S. Cl.** **D14/138; D16/208**

(58) **Field of Classification Search** D14/137,
D14/138, 147-148, 247-248, 144, 341-347;
379/433.01-433.13, 434; D21/517; 455/575.3,
455/566, 575.1; 345/169; 348/376, 14.02;
D16/203, 208

See application file for complete search history.

(56) **References Cited**

U.S. PATENT DOCUMENTS

- D303,674 S * 9/1989 Shimizu et al. D16/202
- D334,014 S * 3/1993 Jambhekar et al. D14/138
- D339,598 S * 9/1993 Shimizu D16/203
- 5,491,507 A * 2/1996 Umezawa et al. 348/14.02
- D386,196 S * 11/1997 Ikenaga D16/202
- 5,706,332 A * 1/1998 Nagai 455/575.3
- 5,786,932 A * 7/1998 Pniel 359/409
- 6,073,034 A * 6/2000 Jacobsen et al. 455/566
- D431,827 S * 10/2000 Yim D16/202
- D439,572 S * 3/2001 Kang D14/138
- D451,485 S * 12/2001 Moss D14/138
- D462,357 S * 9/2002 Jenkins D14/426
- D464,666 S * 10/2002 Salapow et al. D16/206
- 6,473,631 B1 * 10/2002 Siddoway et al. 455/575.1
- D466,540 S * 12/2002 Lannstedt et al. D16/218
- D472,550 S * 4/2003 Mehne et al. D14/345
- D472,911 S * 4/2003 Bielefeld D16/130
- 6,564,070 B1 * 5/2003 Nagamine et al. 455/556.1
- D479,548 S * 9/2003 Bielefeld D16/206
- 6,625,469 B1 * 9/2003 Hwang et al. 455/550.1
- 6,697,117 B1 * 2/2004 Park 348/373
- D488,790 S * 4/2004 Peng et al. D14/138

- D490,789 S * 6/2004 Watanabe D14/138
- D497,160 S * 10/2004 Nagao et al. D14/346
- D497,893 S * 11/2004 Hwang et al. D14/138
- D507,252 S * 7/2005 Kim et al. D14/138

(Continued)

FOREIGN PATENT DOCUMENTS

JP 1167128 * 3/2003

OTHER PUBLICATIONS

Miniature Portable Thermal Imager-Land Guide M4 [on-line], Information updated Oct. 14, 2005, [retrieved on Dec. 2, 2005] <URL:http://www.landinst.com/infrared/products/thermal_imaging/guide_M4_thermal_imager.htm>.*

Primary Examiner—Jeffrey Asch

(74) *Attorney, Agent, or Firm*—Ohlandt, Greeley, Ruggiero & Peerle, L.L.P.

(57) **CLAIM**

The ornamental design for a mobile-phone thermal imager, as shown and described.

DESCRIPTION

FIG. 1 is a perspective view of the mobile-phone thermal imager of the present invention showing the new design;

FIG. 2 is a front view thereof;

FIG. 3 is a back view thereof;

FIG. 4 is a top plan view thereof;

FIG. 5 is a bottom plan view thereof;

FIG. 6 is a left side view thereof;

FIG. 7 is a right side view thereof;

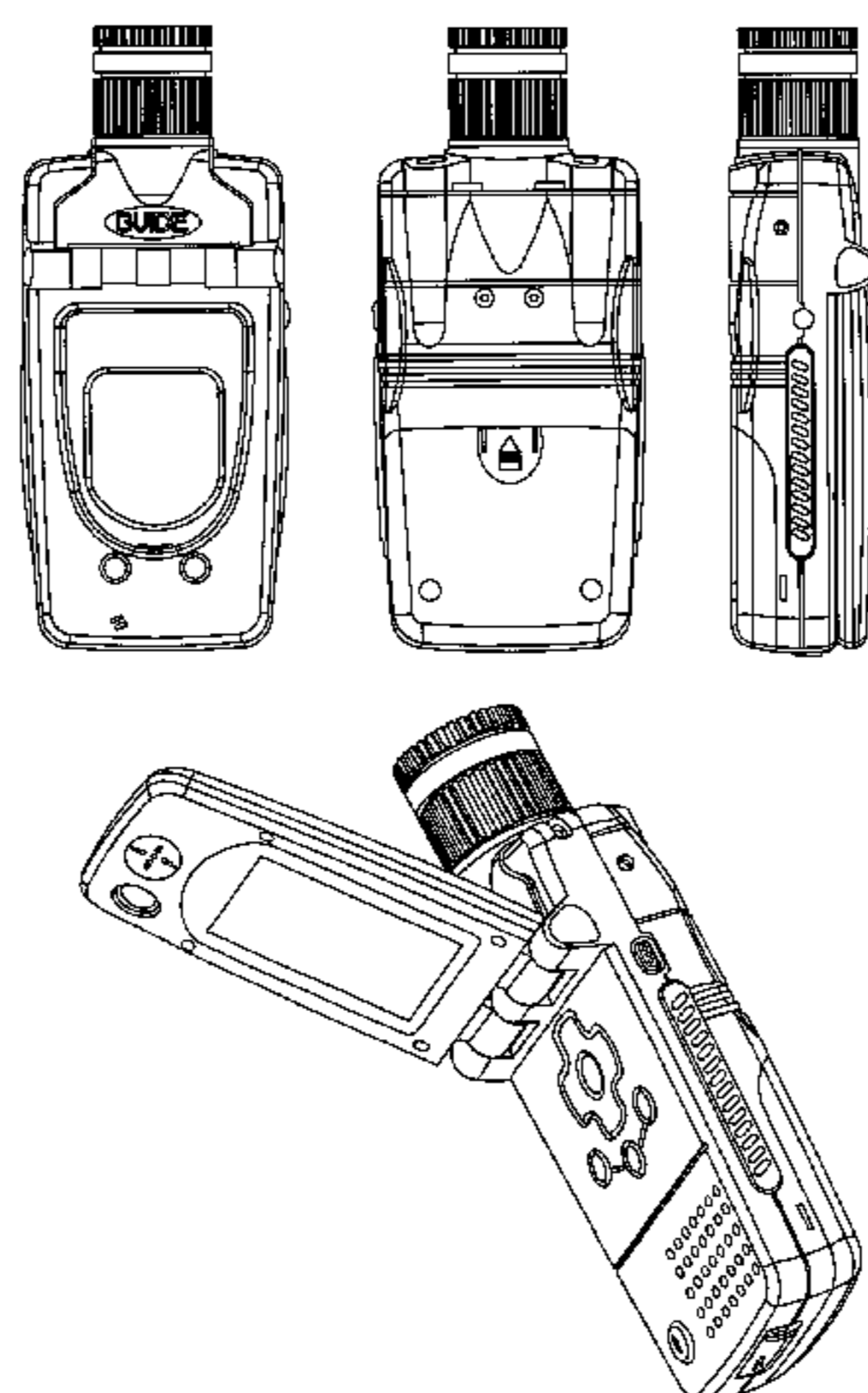
FIG. 8 is a perspective view of the mobile-phone thermal imager of the present invention where the cover is opened;

FIG. 9 is a front view of the mobile-phone thermal imager of the present invention where the cover is opened;

FIG. 10 is a left side view of the mobile-phone thermal imager of the present invention where the cover is opened; and,

FIG. 11 is a right side view of the mobile-phone thermal imager of the present invention where the cover is opened.

1 Claim, 5 Drawing Sheets



US D524,785 S

Page 2

U.S. PATENT DOCUMENTS

D508,685	S	*	8/2005	Kim et al.	D14/138			
D508,903	S	*	8/2005	Kim et al.	D14/138			
2001/0034229	A1	*	10/2001	Park et al.	455/426			
2003/0036365	A1	*	2/2003	Kuroda	455/90			
2003/0064685	A1	*	4/2003	Kim	455/90			
2003/0096582	A1	*	5/2003	Kim	455/90			
2003/0174240	A1	*	9/2003	Wada et al.	348/374			
2004/0203535	A1	*	10/2004	Kim et al.	455/90.3			
2005/0026656	A1	*	2/2005	Park et al.	455/557			
2005/0130718	A1	*	6/2005	Woo	455/575.3			
2005/0186985	A1	*	8/2005	Im et al.	455/550.1			

* cited by examiner

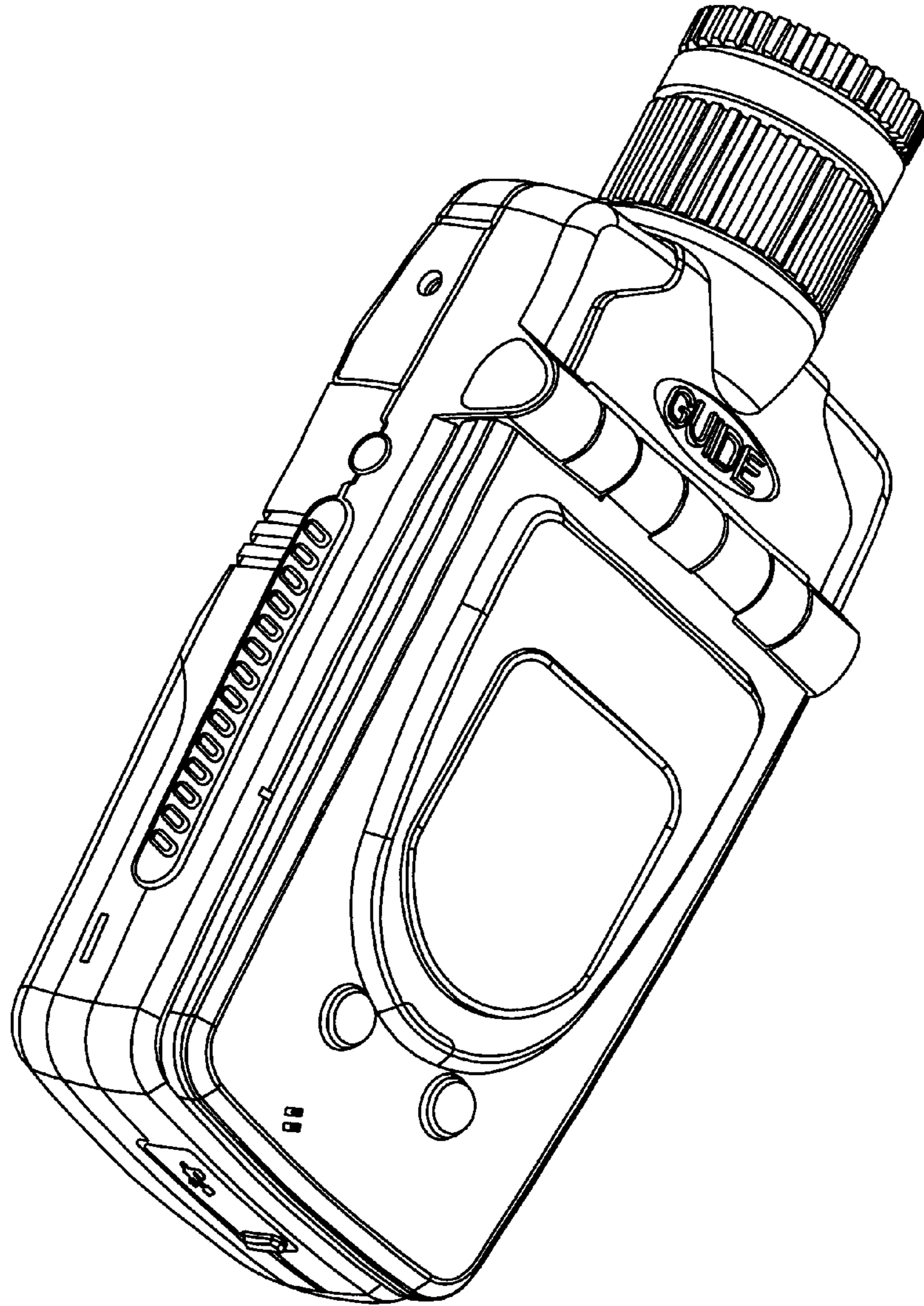


Fig. 1

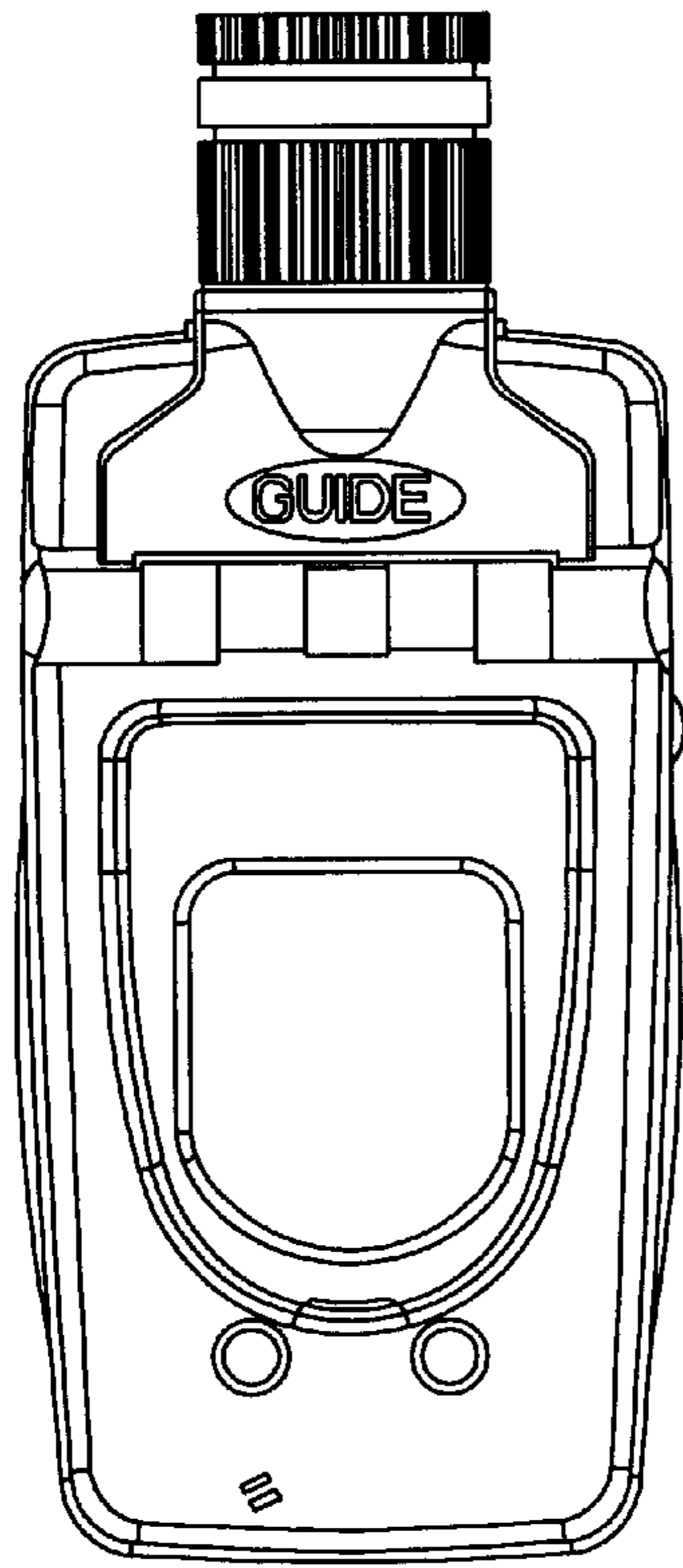


Fig. 2

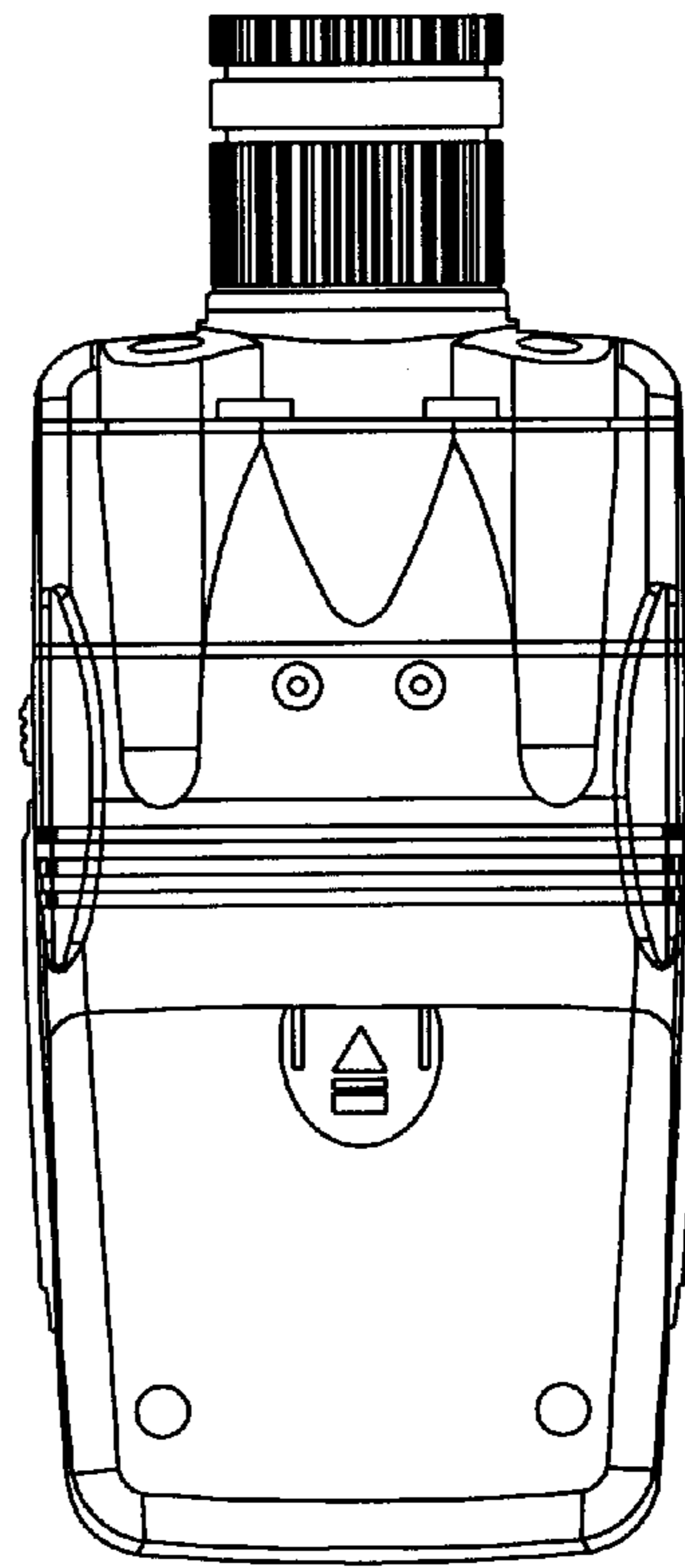


Fig. 3

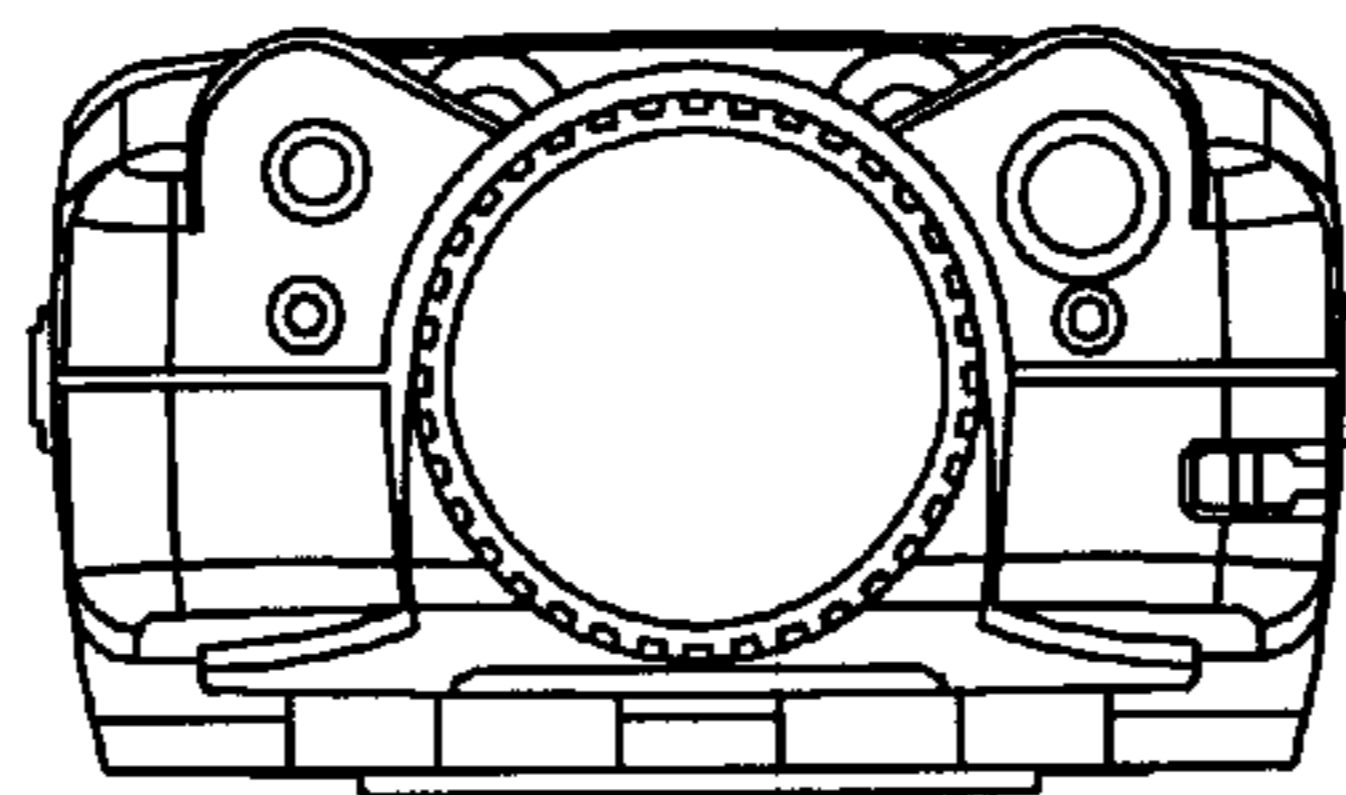


Fig. 4

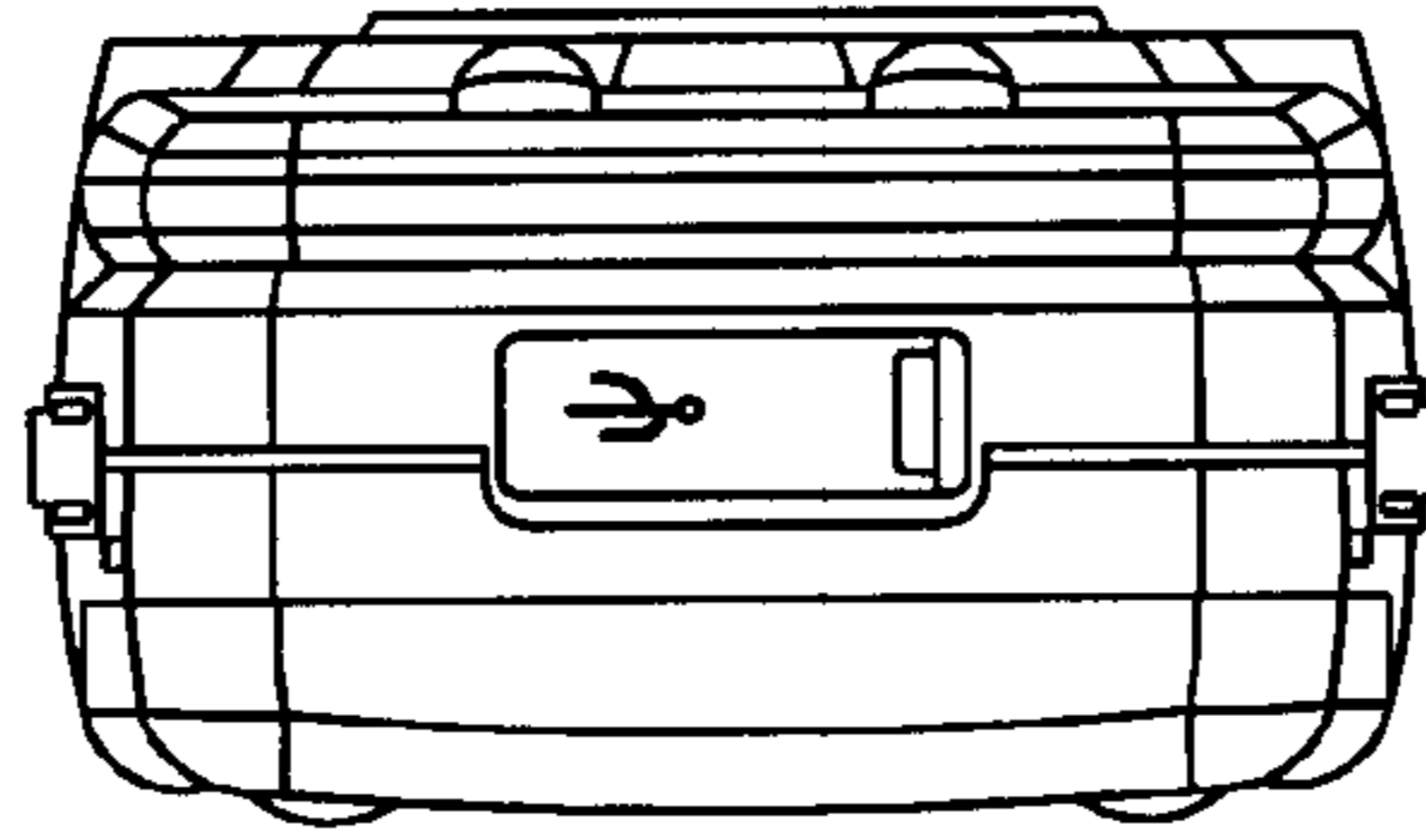


Fig. 5

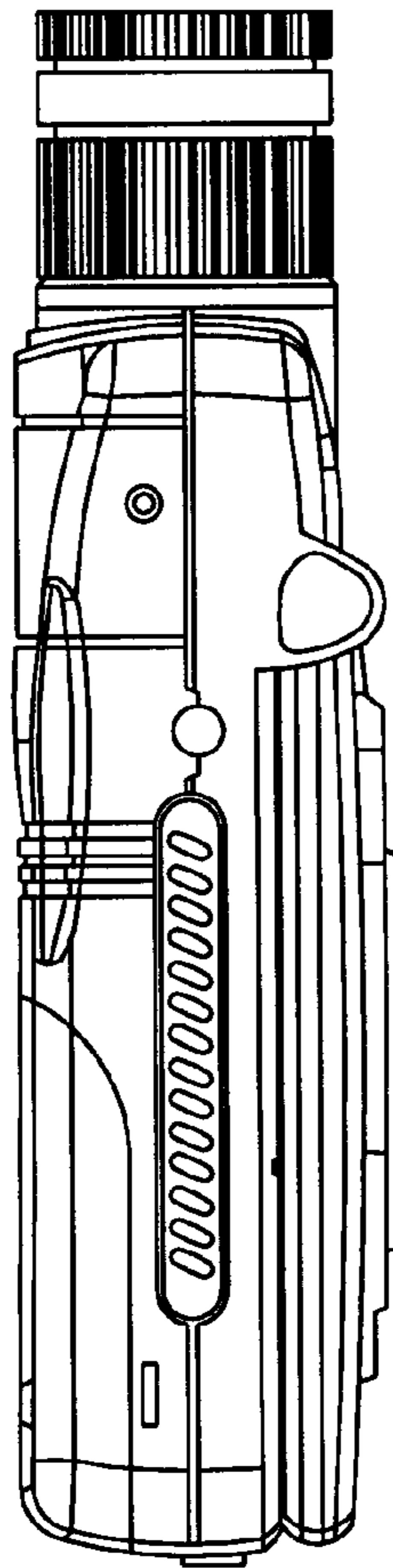


Fig. 6

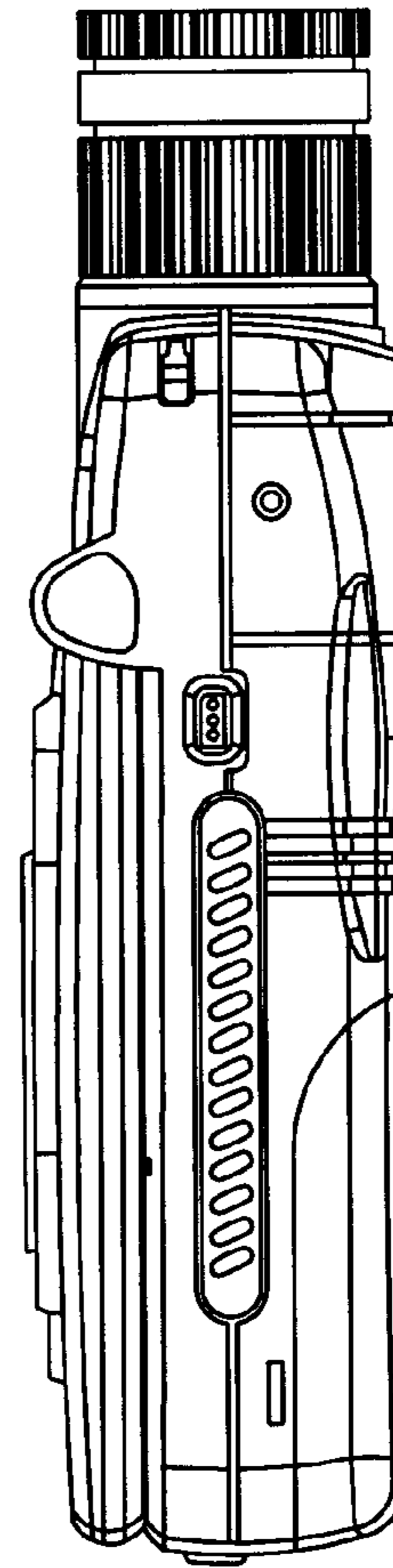


Fig. 7

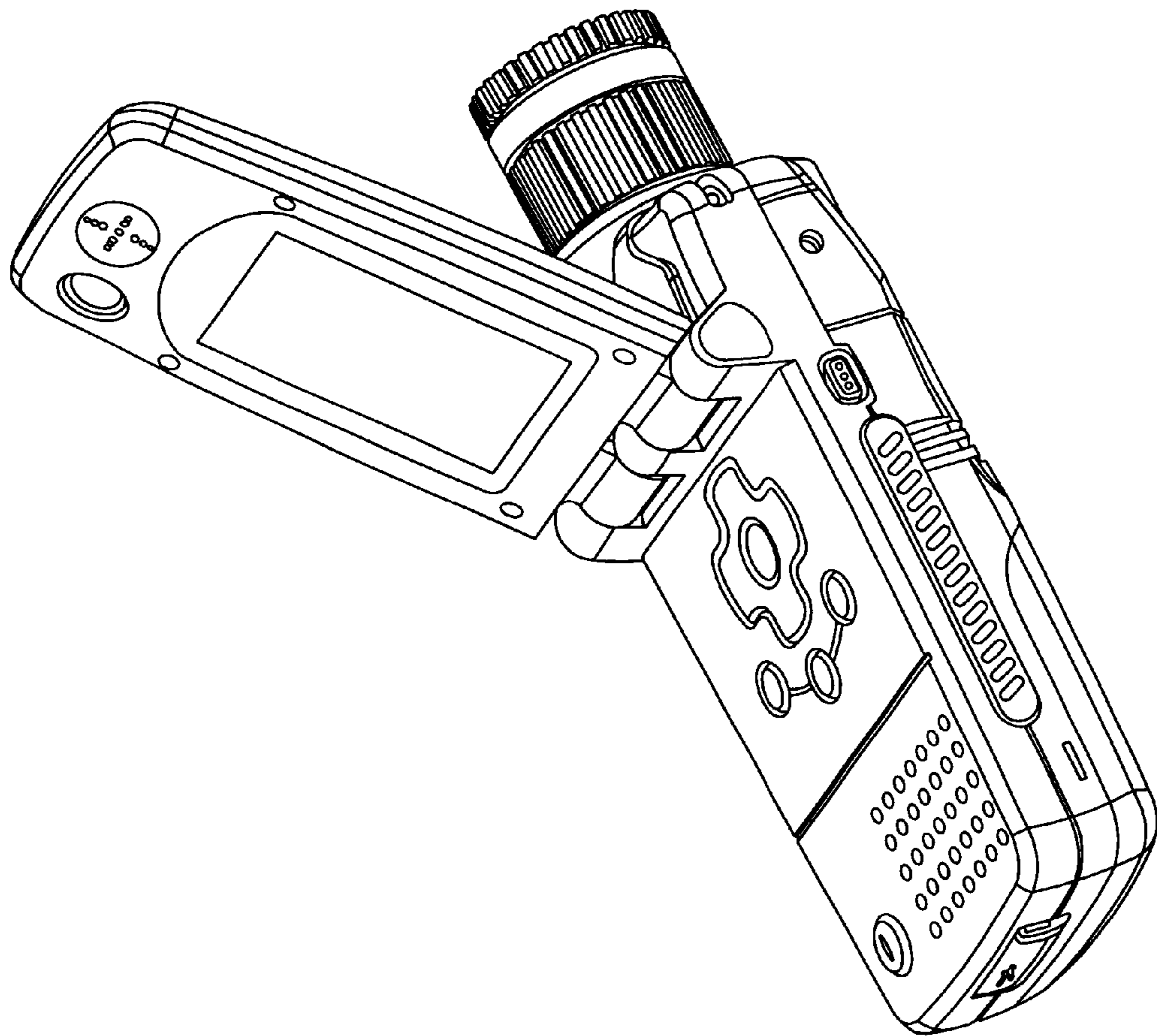


Fig. 8

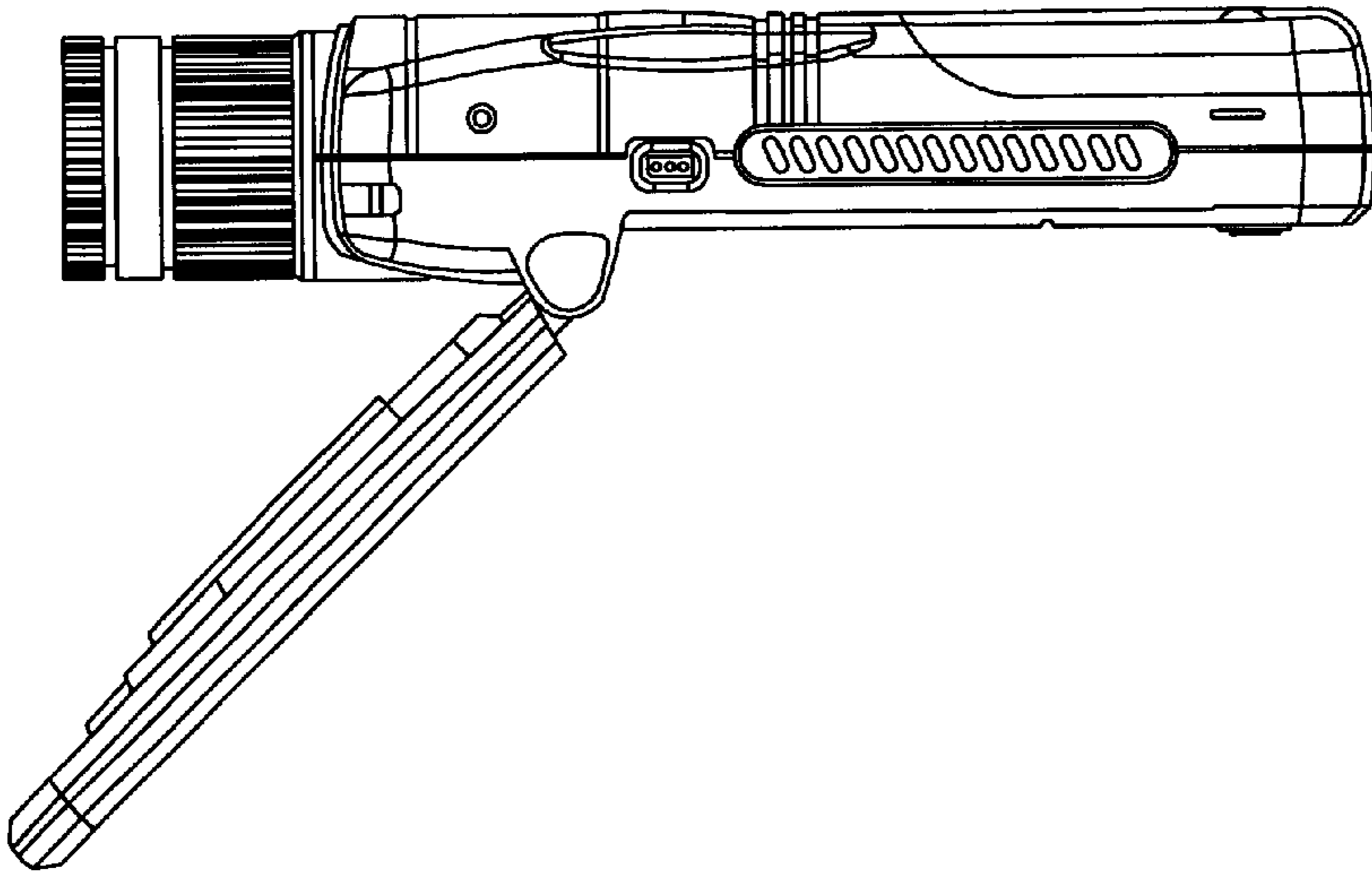


Fig. 11

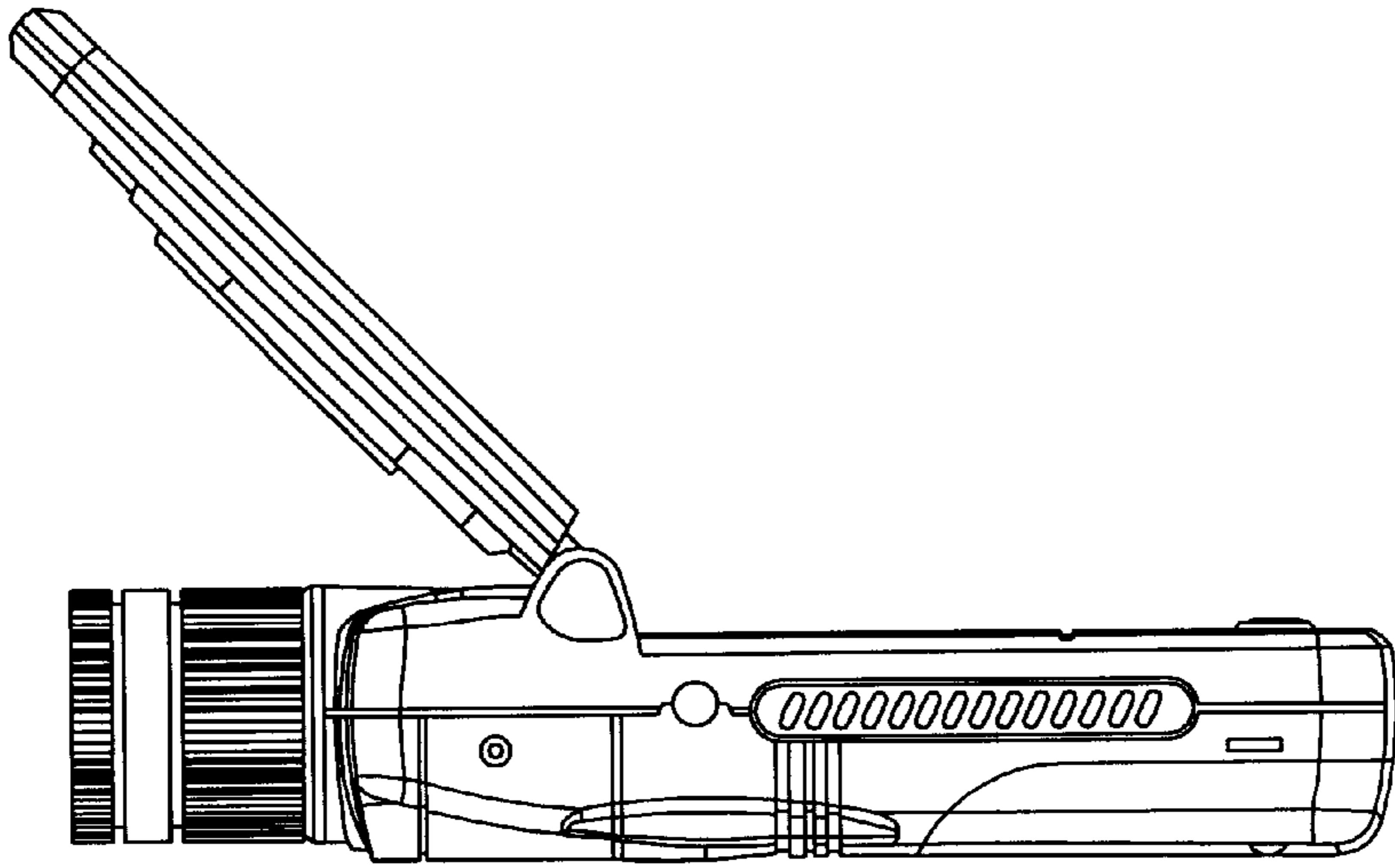


Fig. 10

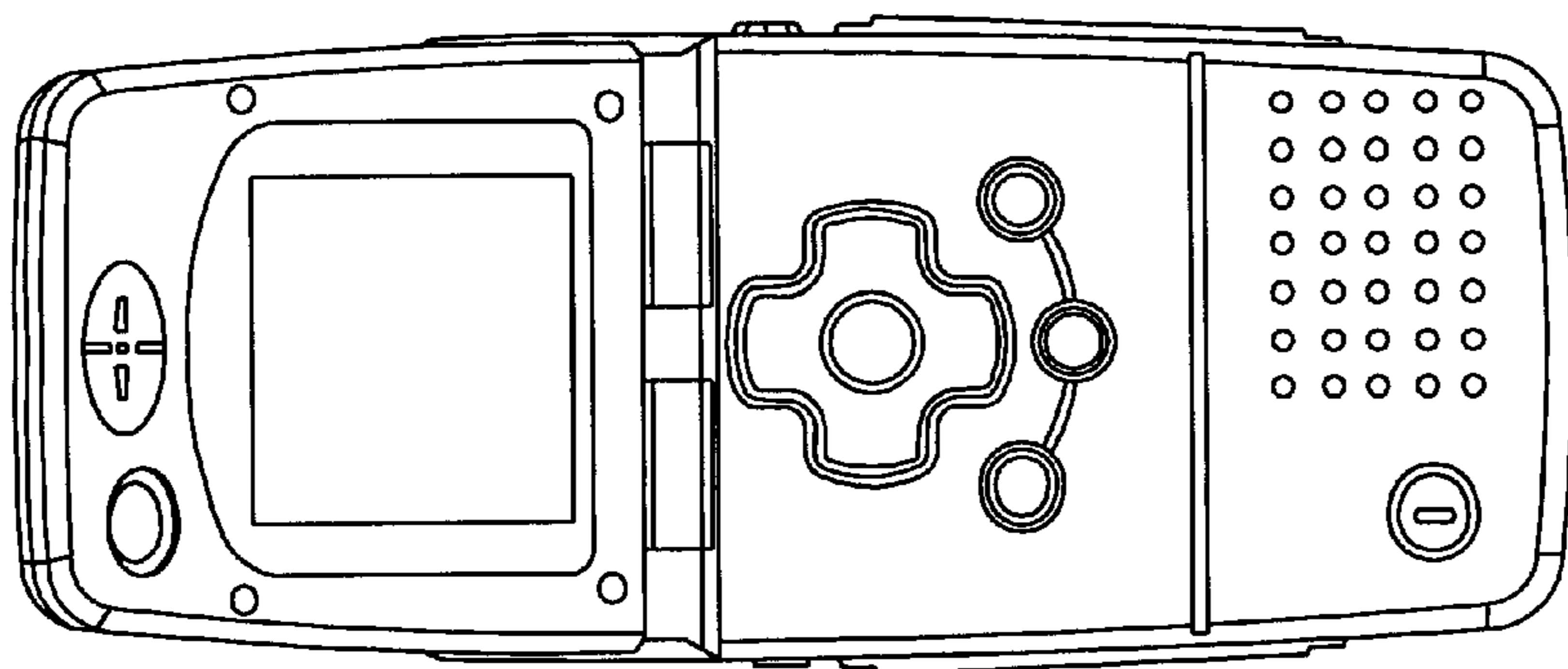


Fig. 9