



US00D524784S

(12) **United States Design Patent**  
**Beard**

(10) **Patent No.:** **US D524,784 S**

(45) **Date of Patent:** **\*\* Jul. 11, 2006**

(54) **CELL PHONE HOUSING**

6,052,567 A \* 4/2000 Ito et al. .... 455/575.7

(76) Inventor: **Thomas E. Beard**, P.O. Box 577,  
Healdsburg, CA (US) 95448

(Continued)

(\*\*) Term: **14 Years**

(21) Appl. No.: **29/222,183**

(22) Filed: **Jan. 25, 2005**

(51) **LOC (8) Cl.** ..... **14-03**

(52) **U.S. Cl.** ..... **D14/138; D14/143**

(58) **Field of Classification Search** ..... D14/138,  
D14/142, 143, 147, 148, 149, 151, 243, 249,  
D14/251-253; D17/14; D21/405, 517; 455/90.3,  
455/556.1, 556.2, 566, 575.1; 379/433.01-433.13,  
379/434

See application file for complete search history.

**OTHER PUBLICATIONS**

“Telemania Gibson Guitar Novelty Telephone”, 2 pages,  
[online], URL: <http://64.233.161.104/search?q=cache:D4Sxokile9sJ:wantitnow.ebay.com/ws/eBayISAPI.dll%3FWantitNowView%26adid%3D6461821697+guitar+phone&hl=en>, cache as retrieved on Jan. 15, 2006.\*

“Electric Guitar Phone”, 1 pg, page updated Mar. 9, 2001,  
[online], <URL: [HTTP://www.noveltytelephone.com/products/electricguitar.html](http://www.noveltytelephone.com/products/electricguitar.html)> entered into Internet Archive Way-BackMachine at <<http://www.archive.org>>.\*

*Primary Examiner*—Jeffrey D. Asch  
*Assistant Examiner*—C. J. Wright

(74) *Attorney, Agent, or Firm*—Johnson & Strainbrook

LLP; Craig M. Stainbrook; Larry D. Johnson

(56) **References Cited**

(57) **CLAIM**

**U.S. PATENT DOCUMENTS**

The ornamental design for a cell phone housing, as shown and described.

D164,227 S	*	8/1951	Fender	.....	D17/14
D197,627 S	*	3/1964	Burns	.....	D17/14
D215,354 S	*	9/1969	Broussard	.....	D17/14
D248,254 S	*	6/1978	Miller	.....	D26/94
D258,290 S	*	2/1981	Hayashi	.....	D17/14
D258,363 S	*	2/1981	Weindel et al.	.....	D17/1
D258,739 S	*	3/1981	Todd, III	.....	D17/14
D269,180 S	*	5/1983	Ridings	.....	D14/189
D274,733 S	*	7/1984	Hampton et al.	.....	D17/14
D276,722 S	*	12/1984	Festa	.....	D14/143
D280,521 S	*	9/1985	Wechter	.....	D17/19
D286,400 S	*	10/1986	Moller	.....	D14/143
D350,744 S	*	9/1994	Hino	.....	D14/138
D371,126 S	*	6/1996	Bro	.....	D14/138
D373,127 S	*	8/1996	Godee et al.	.....	D14/248
5,555,449 A	*	9/1996	Kim	.....	455/575.7
5,706,332 A	*	1/1998	Nagai	.....	455/575.3
5,715,311 A	*	2/1998	Sudo et al.	.....	379/433.01
D396,464 S	*	7/1998	Bradford	.....	D14/138
D406,587 S	*	3/1999	Wicks et al.	.....	D14/138
5,940,503 A	*	8/1999	Palett et al.	.....	379/454
D415,150 S	*	10/1999	Hasegawa et al.	.....	D14/138
5,982,883 A	*	11/1999	Alix et al.	.....	379/433.12
6,052,464 A	*	4/2000	Harris et al.	.....	379/433.07

**DESCRIPTION**

FIG. 1 is a lower right front perspective view in the closed condition;

FIG. 2 is an upper left rear perspective view in the closed condition;

FIG. 3 is a lower right front perspective view in the open condition;

FIG. 4 is an upper left rear perspective view in the open condition;

FIG. 5 is a front elevational view;

FIG. 6 is a right side elevational view;

FIG. 7 is a rear elevational view;

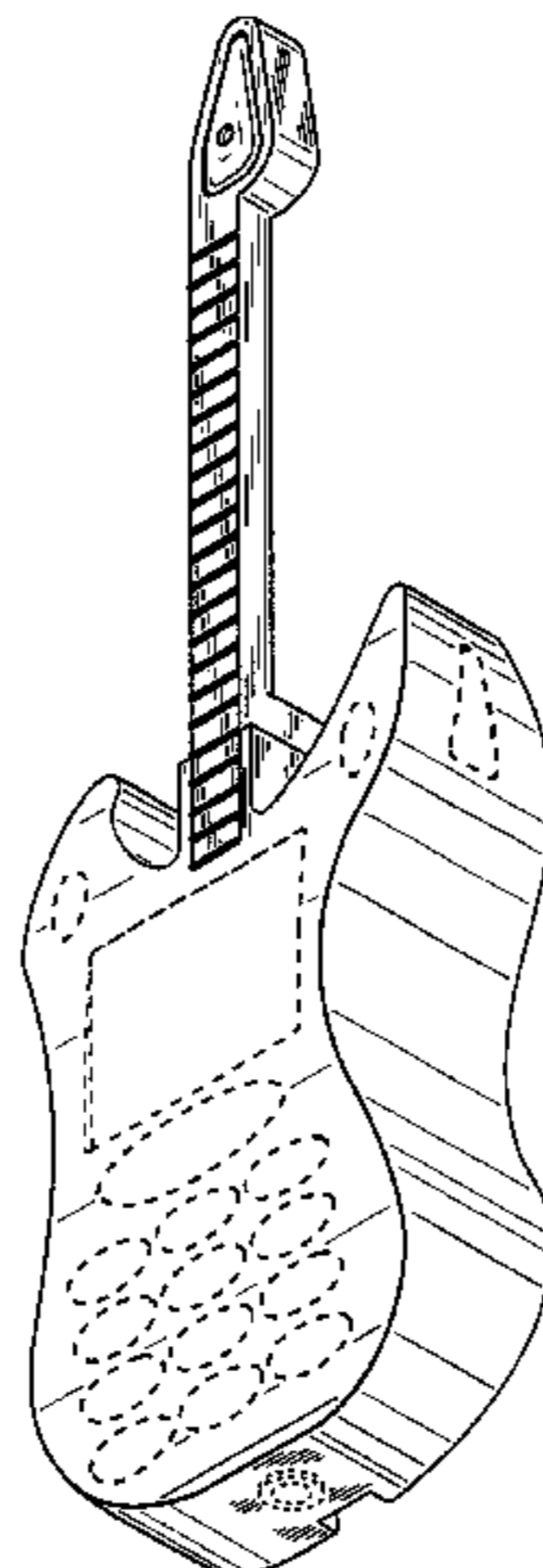
FIG. 8 is a left side elevational view;

FIG. 9 is a top plan view; and,

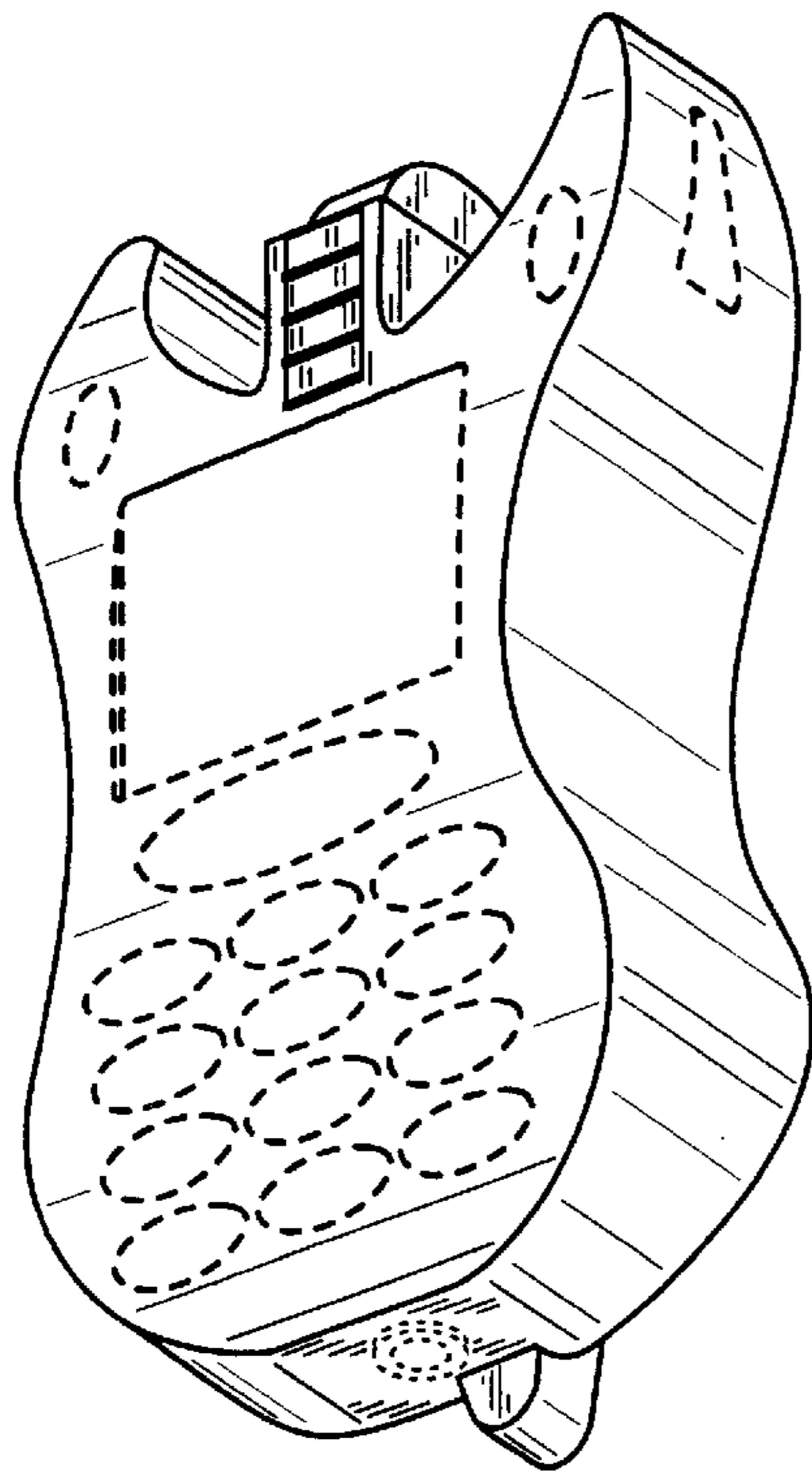
FIG. 10 is a bottom plan view.

The portions of the drawing shown in broken lines are for illustrative purposes only and form no part of the claimed design.

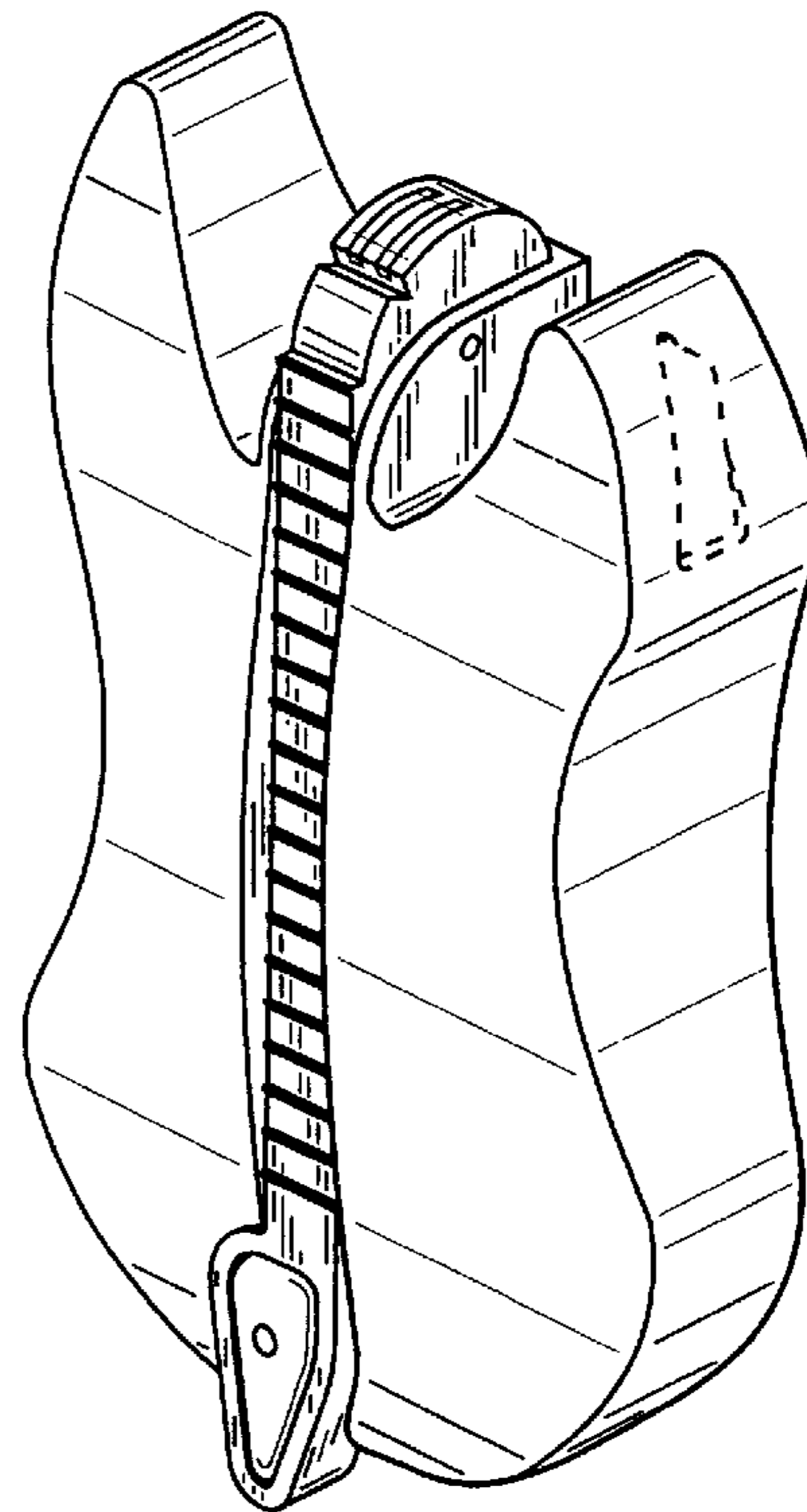
**1 Claim, 5 Drawing Sheets**



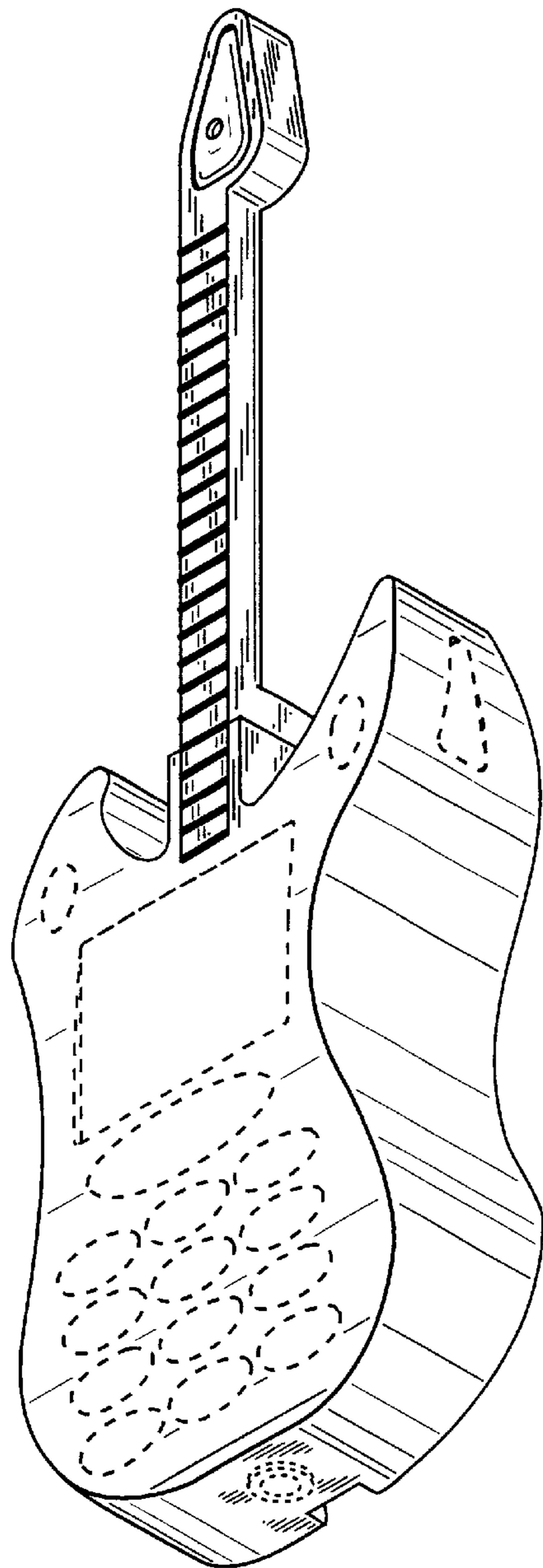




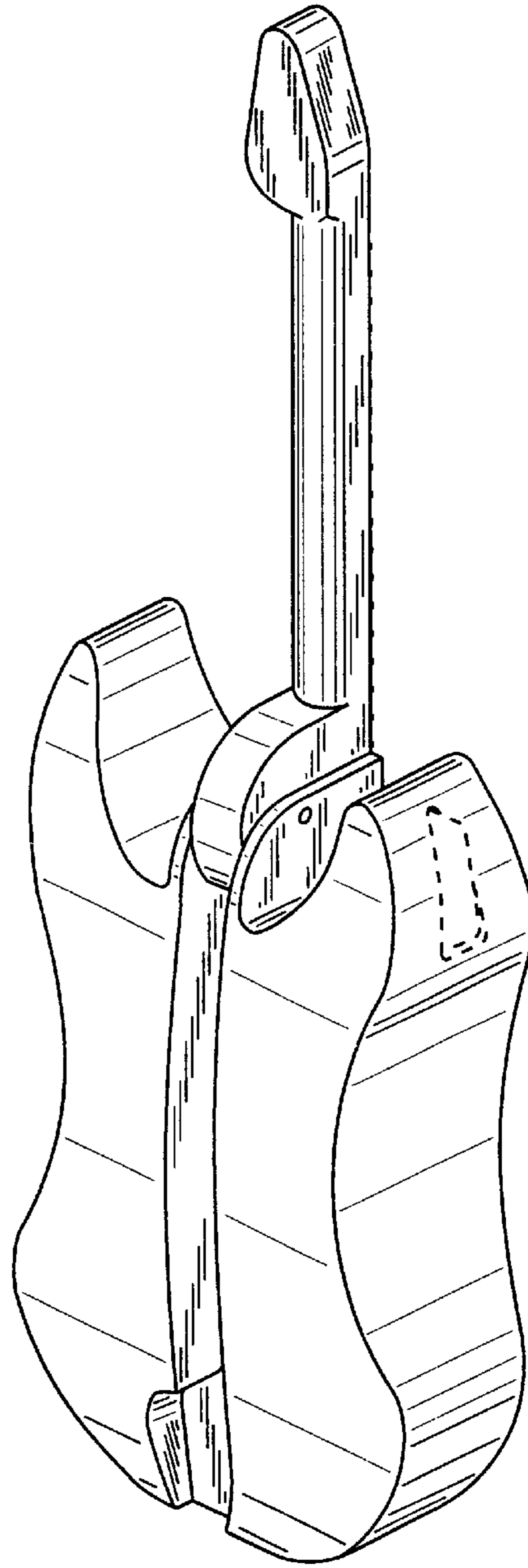
**FIG. 1**



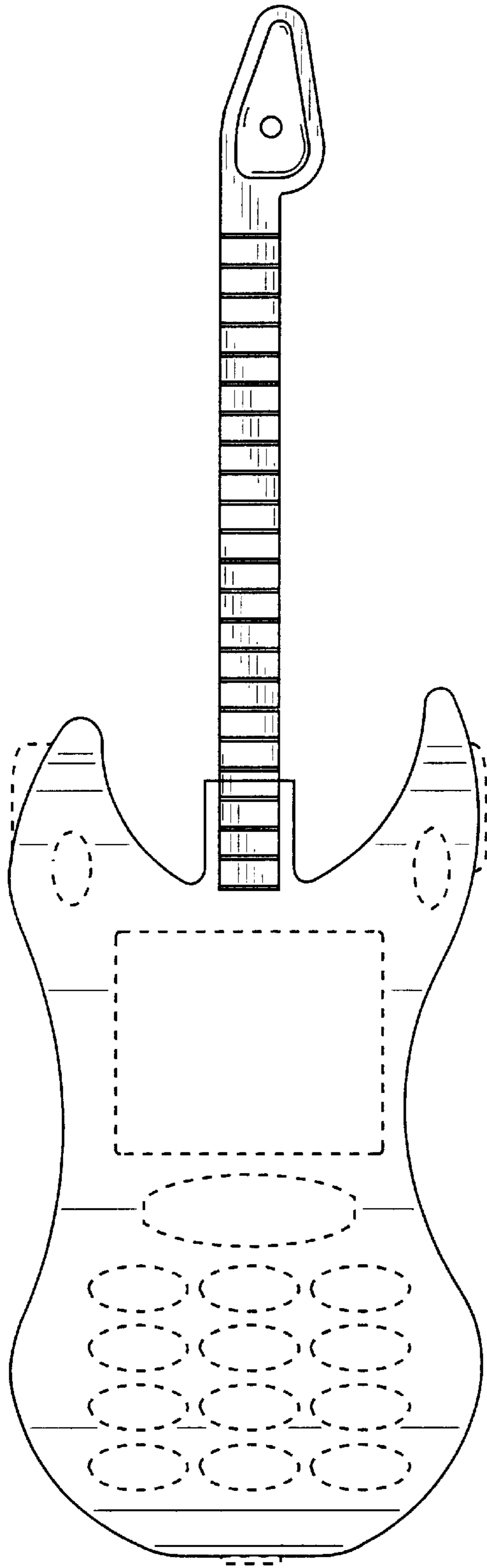
**FIG. 2**



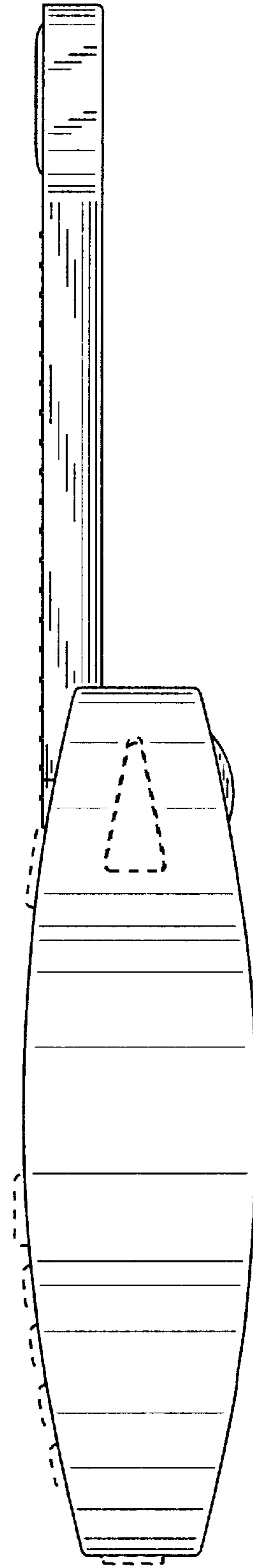
**FIG. 3**



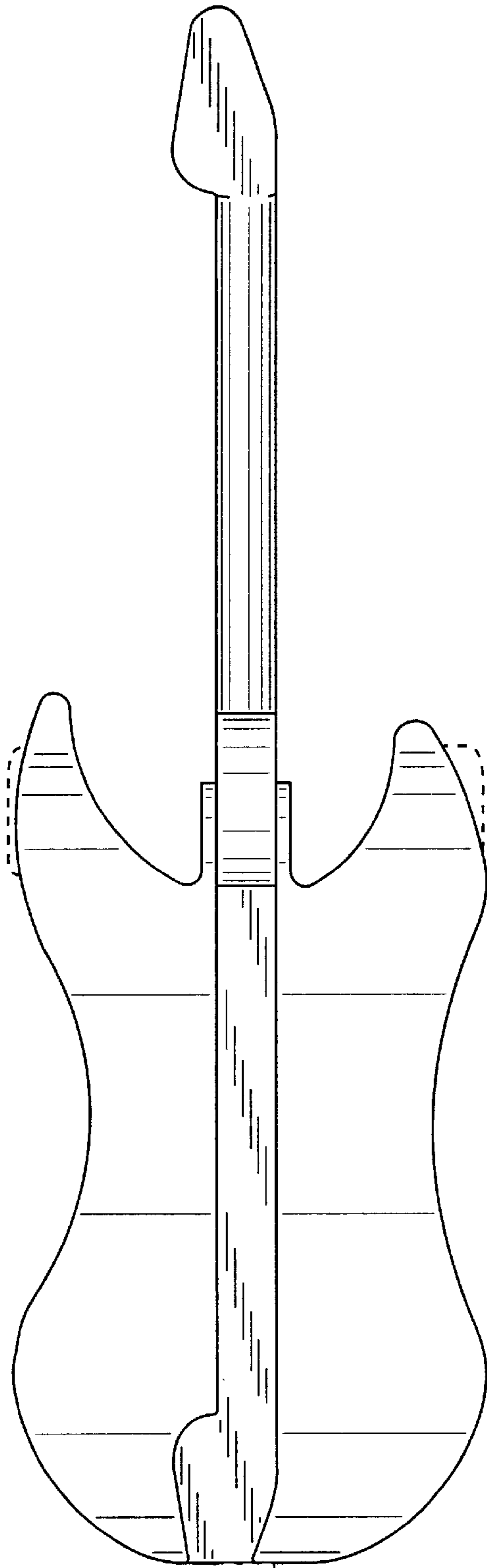
**FIG. 4**



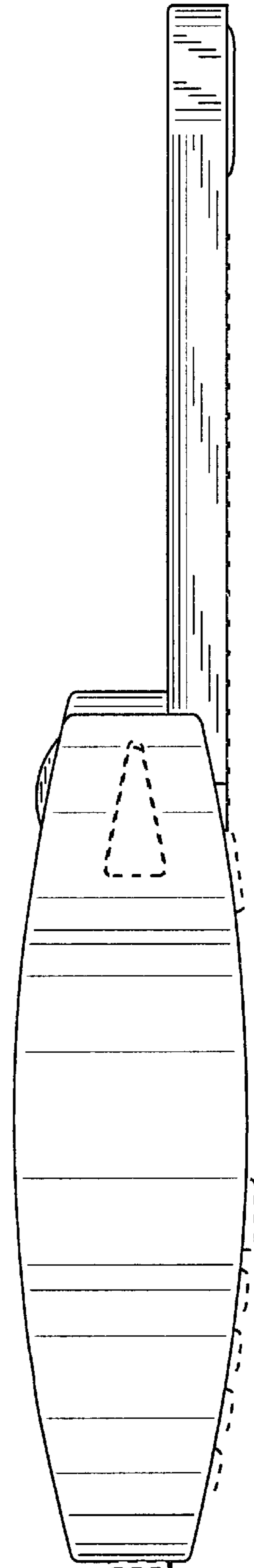
**FIG.\_5**



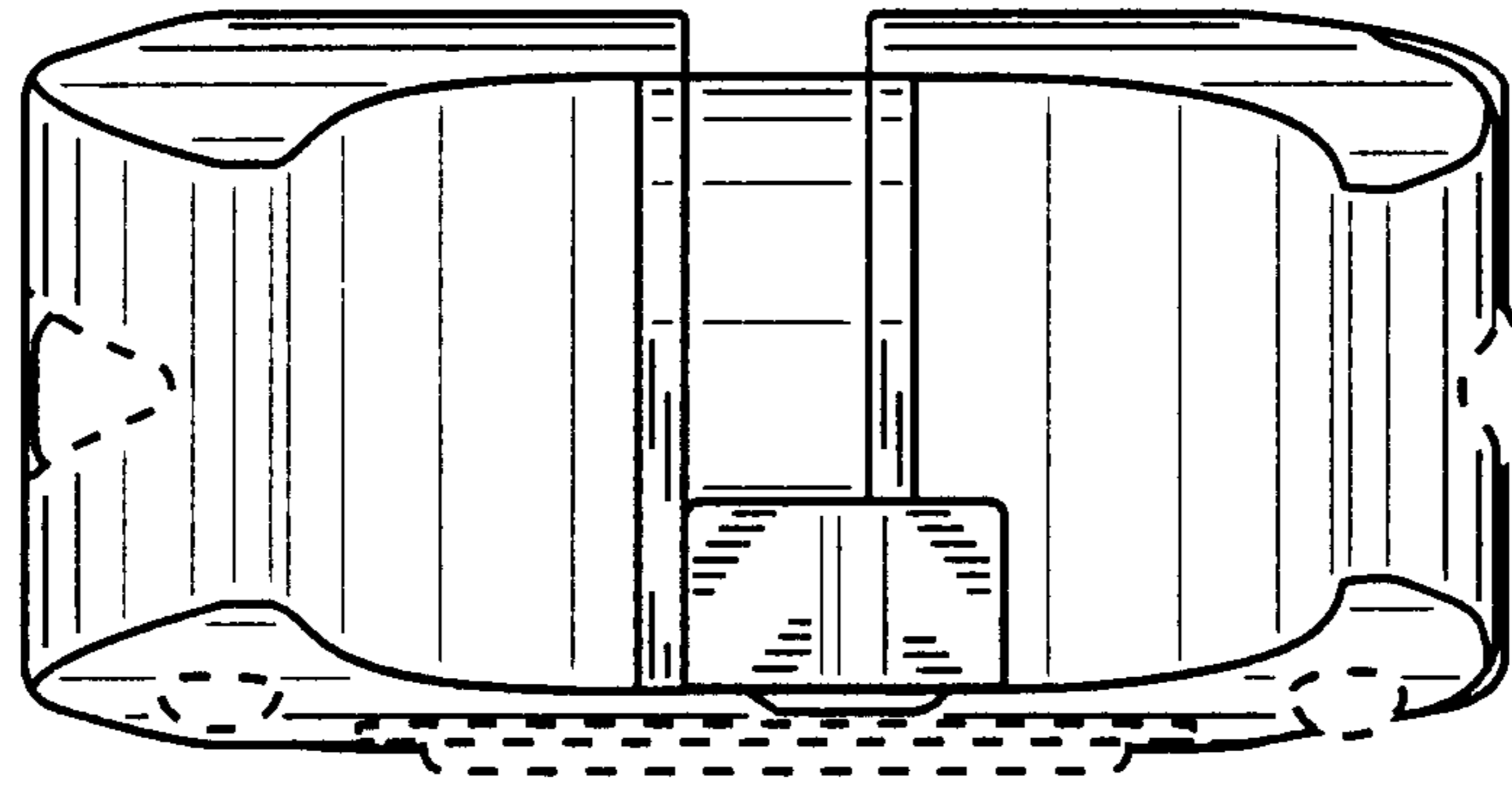
**FIG.\_6**



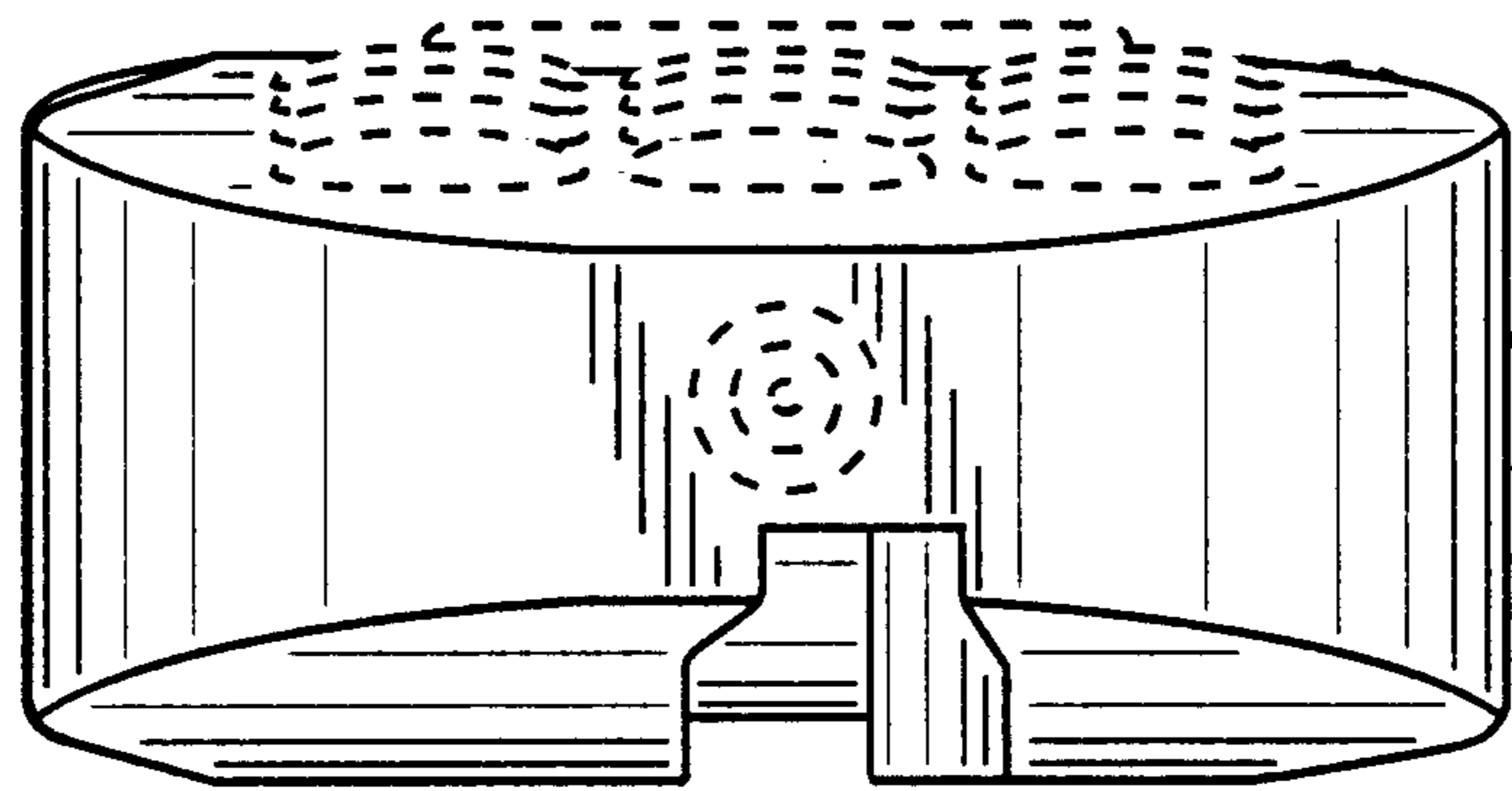
**FIG. 7**



**FIG. 8**



**FIG. 9**



**FIG. 10**