



US00D524779S

(12) **United States Design Patent** (10) **Patent No.:** **US D524,779 S**
Lyles (45) **Date of Patent:** **** Jul. 11, 2006**

(54) **FRONT COVER PORTION OF A HANDSET**

FOREIGN PATENT DOCUMENTS

(75) Inventor: **Justin Lyles**, San Diego, CA (US)

EM 000169750-0001 7/2004

(73) Assignee: **Nokia Corporation**, Espoo (FI)

EM 000169750-0002 7/2004

(**) Term: **14 Years**

EM 000169750-0003 7/2004

(21) Appl. No.: **29/212,568**

EM 000169750-0004 7/2004

(22) Filed: **Sep. 3, 2004**

WO DM/056216 * 5/2001

(51) **LOC (8) Cl.** **14-03**

WO DM/060792 * 6/2002

(52) **U.S. Cl.** **D14/138; D14/248**

WO DM/063714 7/2003

(58) **Field of Classification Search** D14/137,
D14/138, 147-148, 247-248, 144, 218, 341-347;
379/433.01-433.13, 434; 455/575.1, 566,
455/556.1; D21/517, 329, 331; 345/169
See application file for complete search history.

WO DM/064218 10/2003

WO DM/065421 7/2004

WO DM/066301 * 12/2004

WO DM/066599 * 4/2005

Primary Examiner—Jeffrey Asch

(74) *Attorney, Agent, or Firm*—Banner & Witcoff, Ltd.

(57) **CLAIM**

The ornamental design for a front cover portion of a handset, as shown and described.

(56) **References Cited**

DESCRIPTION

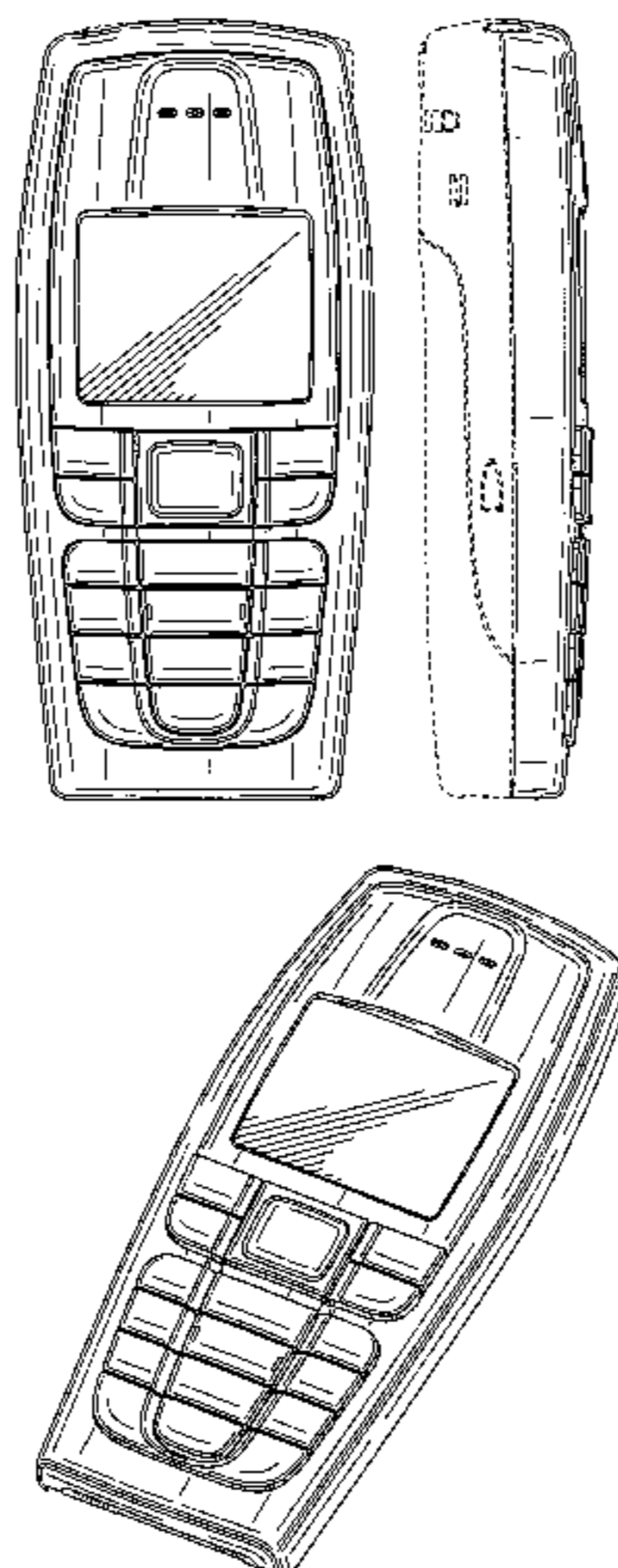
U.S. PATENT DOCUMENTS

D420,351 S	*	2/2000	Waldner	D14/138
D427,171 S	*	6/2000	Frye et al.	D14/138
D446,200 S	*	8/2001	Ko	D14/138
D456,375 S	*	4/2002	Vuolteenaho et al.	D14/138
D456,394 S	*	4/2002	Laverick et al.	D14/248
D474,167 S	*	5/2003	Lee et al.	D14/138
D476,634 S	*	7/2003	Lehtonen	D14/138
D478,883 S	*	8/2003	Jensfelt et al.	D14/138
D481,691 S	*	11/2003	Vuolteenaho	D14/138
D481,694 S	*	11/2003	Dalby et al.	D14/138
D484,475 S	*	12/2003	Sheu	D14/138
D484,477 S	*	12/2003	Salmi	D14/138
D484,861 S		1/2004	Lee et al.		
D484,865 S	*	1/2004	Arbisi	D14/138
D485,246 S	*	1/2004	Johansson et al.	D14/138
D487,438 S	*	3/2004	Sheu	D14/138
D488,789 S	*	4/2004	Lee	D14/138
D489,715 S	*	5/2004	Lee et al.	D14/248
D492,274 S	*	6/2004	Widiaman	D14/138
D494,561 S	*	8/2004	Kagami et al.	D14/138
D494,949 S	*	8/2004	Arnholt et al.	D14/138
D494,950 S	*	8/2004	Keunecke	D14/138

FIG. 1 is a bottom plan view of a front cover portion of a handset showing my new design with a remainder of the handset in disclaimed broken lines;
 FIG. 2 is a right side view thereof;
 FIG. 3 is a front view thereof;
 FIG. 4 is a left side view thereof;
 FIG. 5 is a top plan view thereof;
 FIG. 6 is a perspective front view thereof;
 FIG. 7 is a bottom plan view of the front cover portion of a handset of FIGS. 1-6 showing my new design illustrating a front cover in isolation;
 FIG. 8 is a right side view thereof;
 FIG. 9 is a front view thereof;
 FIG. 10 is a left side view thereof;
 FIG. 11 is a top plan view thereof; and,
 FIG. 12 is a perspective front view thereof.
 The broken line showing of various features in FIGS. 1-6 is for illustrative purposes only and forms no part of the claimed design. The unshown interior surfaces of the front cover in FIGS. 7-12 form no part of the claimed design.

(Continued)

1 Claim, 4 Drawing Sheets



US D524,779 S

Page 2

U.S. PATENT DOCUMENTS

D496,641 S	*	9/2004	Seo	D14/138	D502,158 S	*	2/2005	Miyazawa et al.	D14/138
D496,921 S	*	10/2004	Hwang	D14/138	D502,933 S	*	3/2005	Munstermann	D14/138
D497,892 S	*	11/2004	Peng	D14/138	D503,162 S	*	3/2005	Kagami et al.	D14/138
D500,498 S	*	1/2005	Katsumata	D14/248	D505,418 S		5/2005	Kim	
D500,749 S		1/2005	Kim		D506,190 S	*	6/2005	Mehandjiysky	D14/138
D500,992 S	*	1/2005	Shen et al.	D14/138	D507,549 S	*	7/2005	Moss	D14/138

* cited by examiner

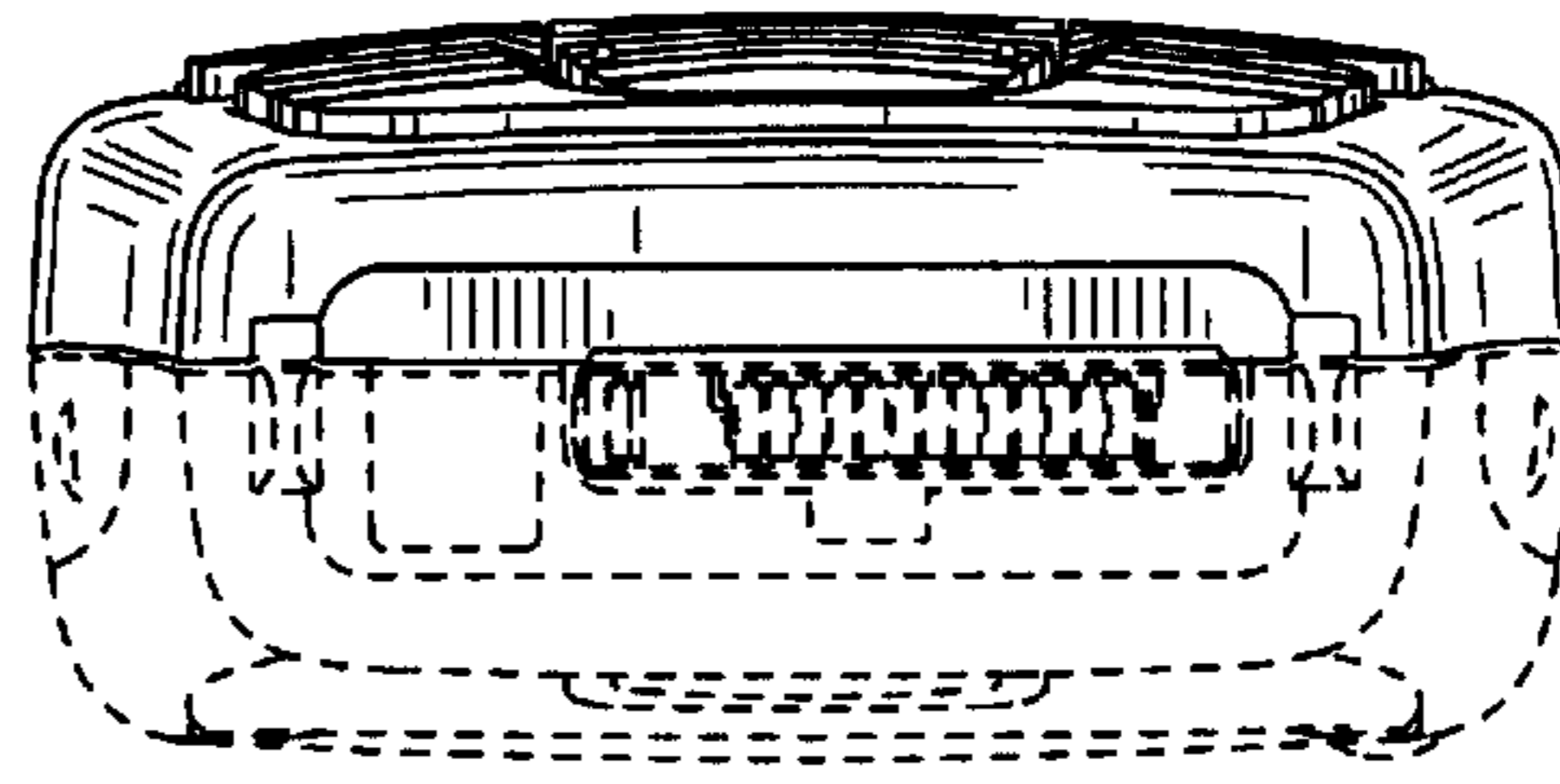


FIG. 1

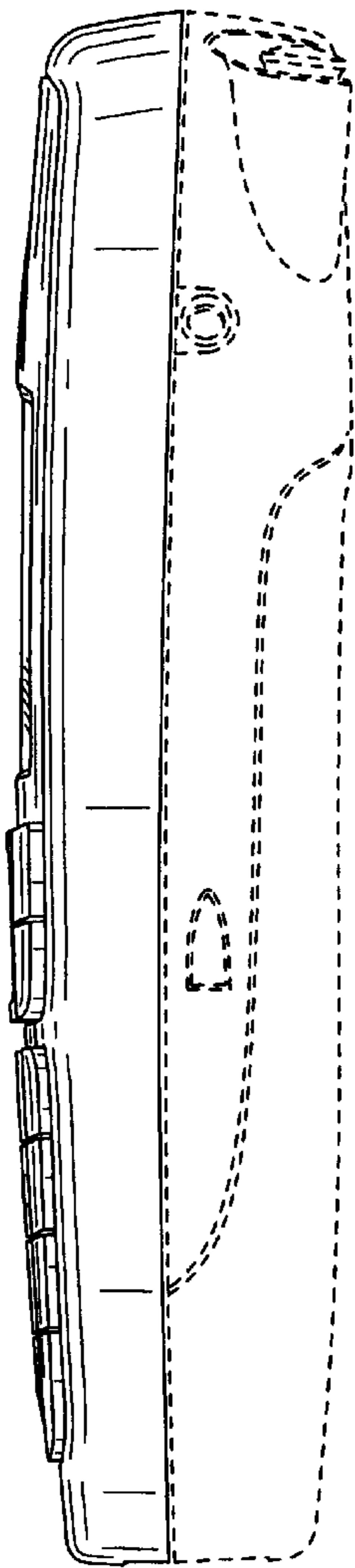


FIG. 2

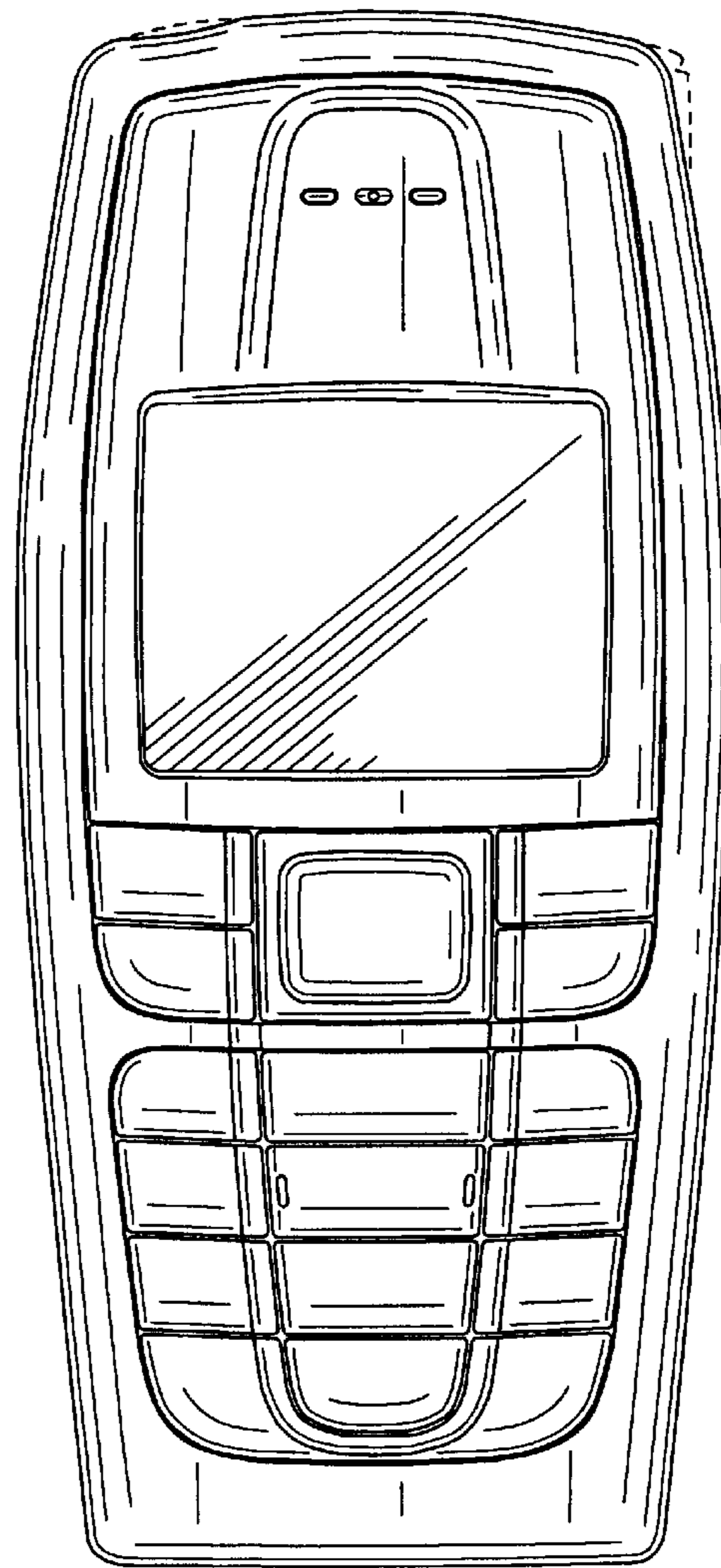


FIG. 3

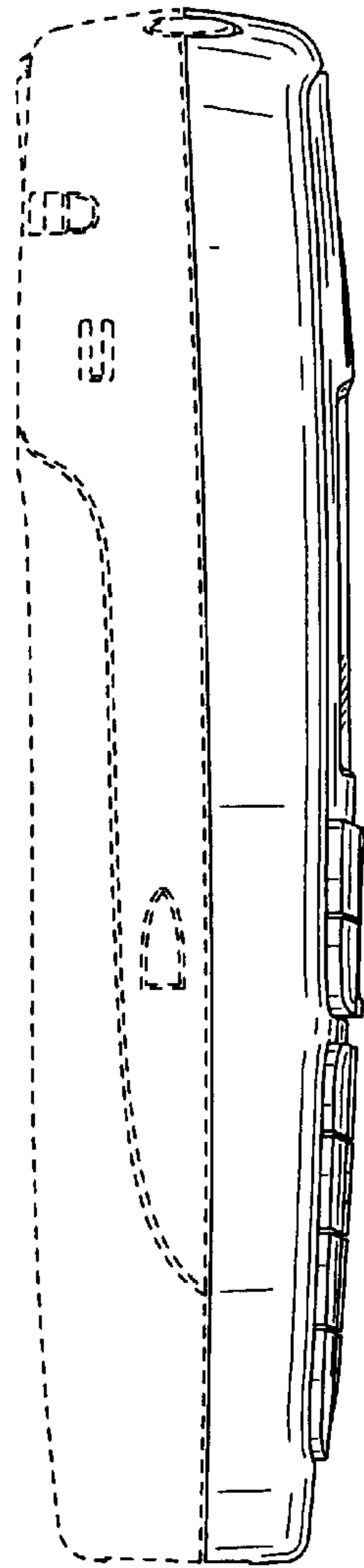


FIG. 4

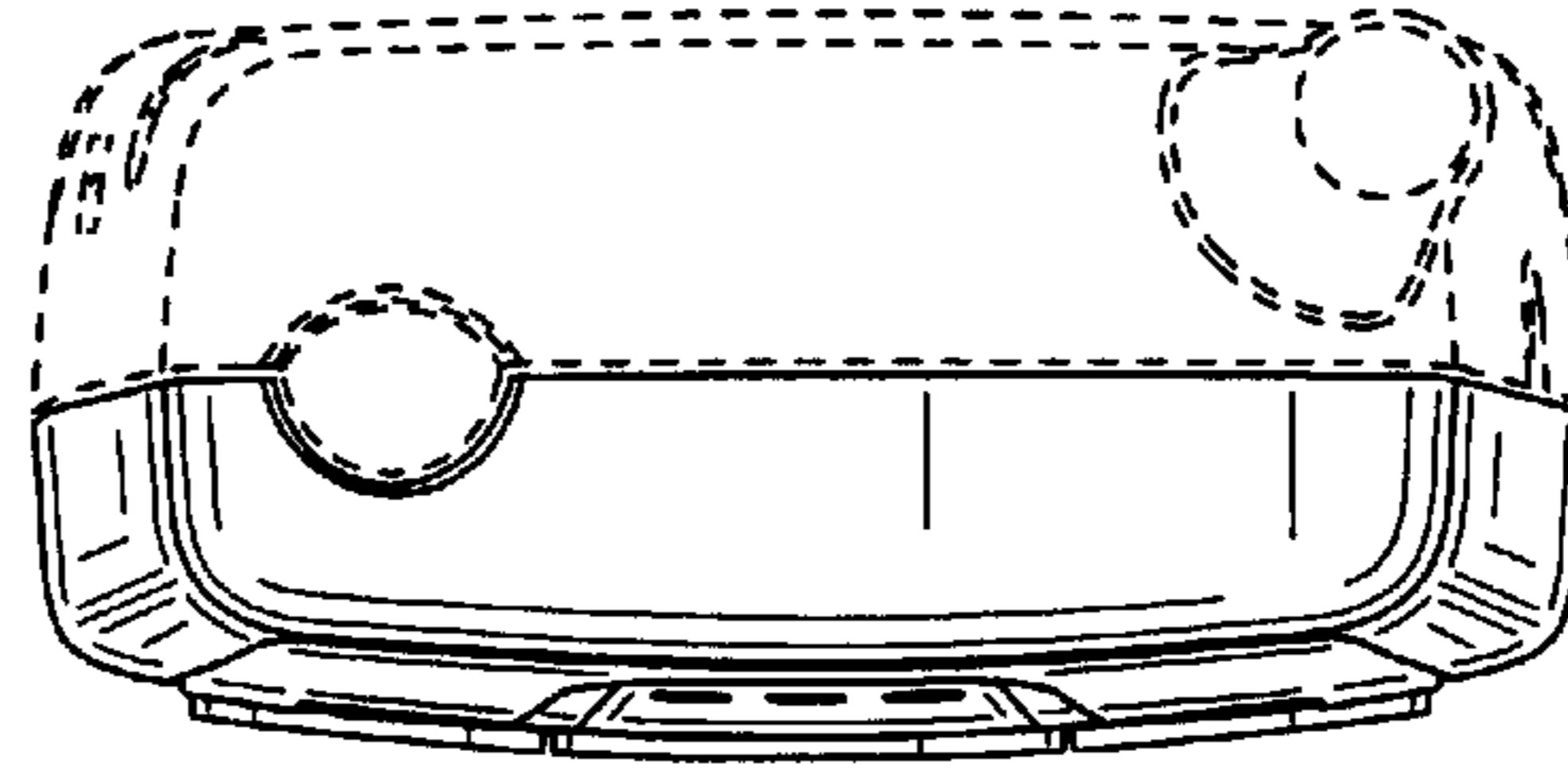


FIG. 5

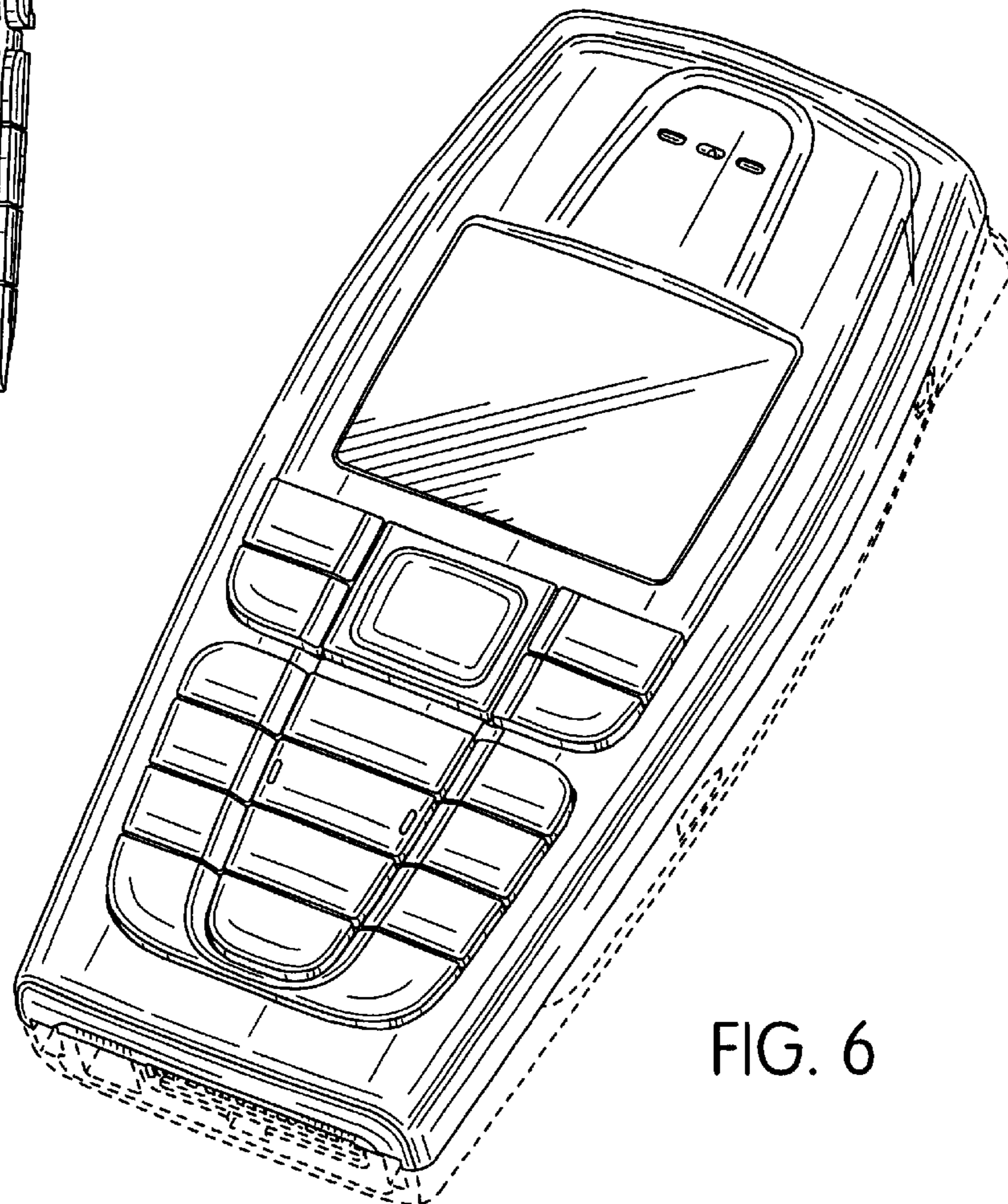


FIG. 6

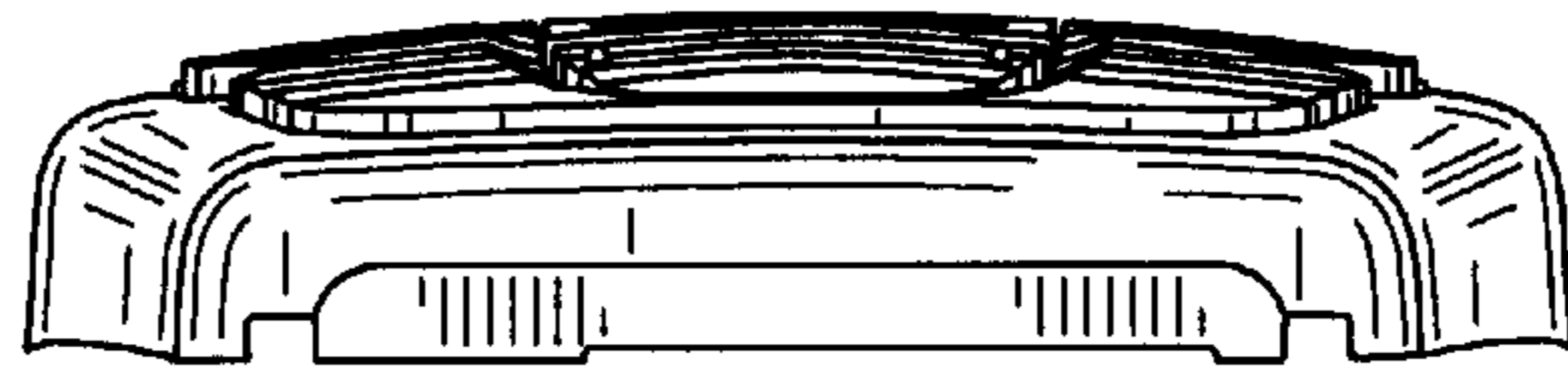


FIG. 7

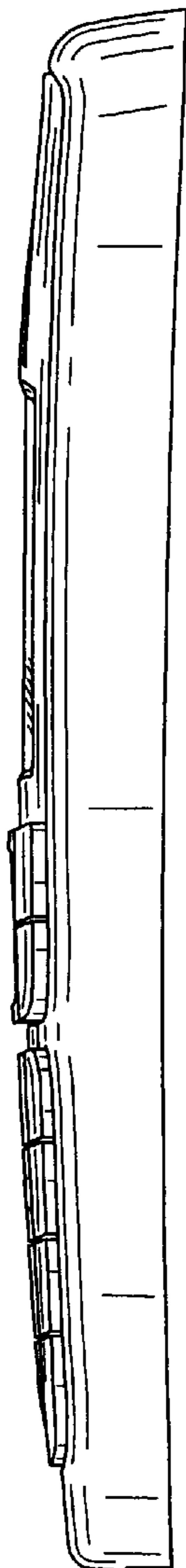


FIG. 8

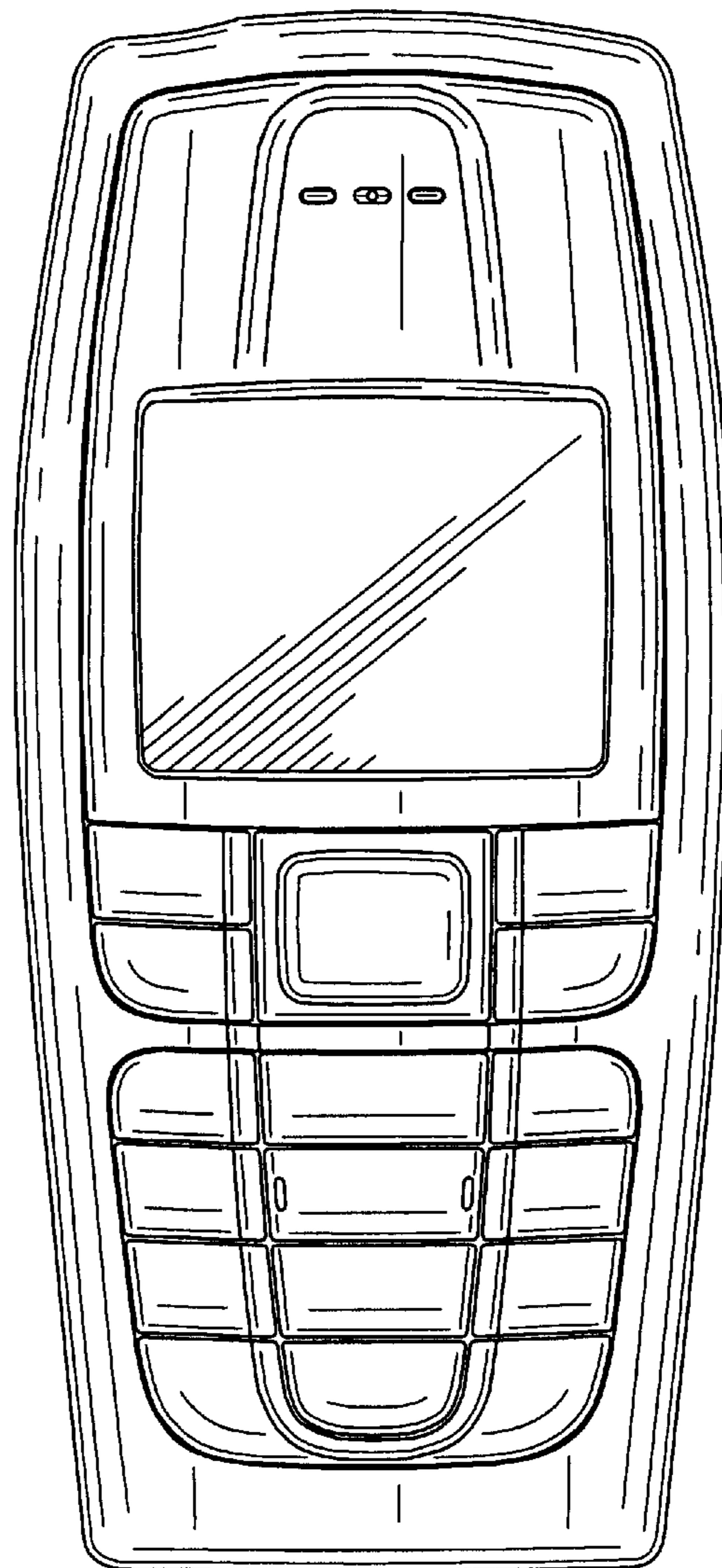


FIG. 9

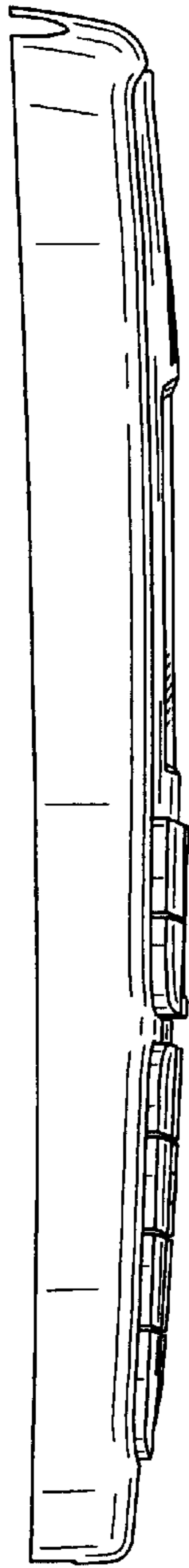


FIG. 10

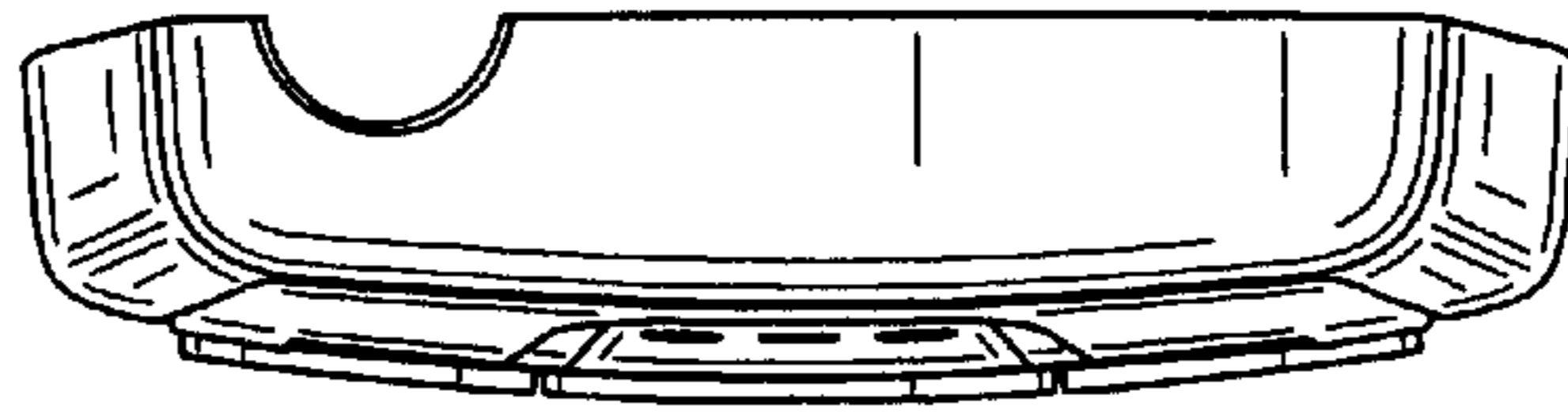


FIG. 11

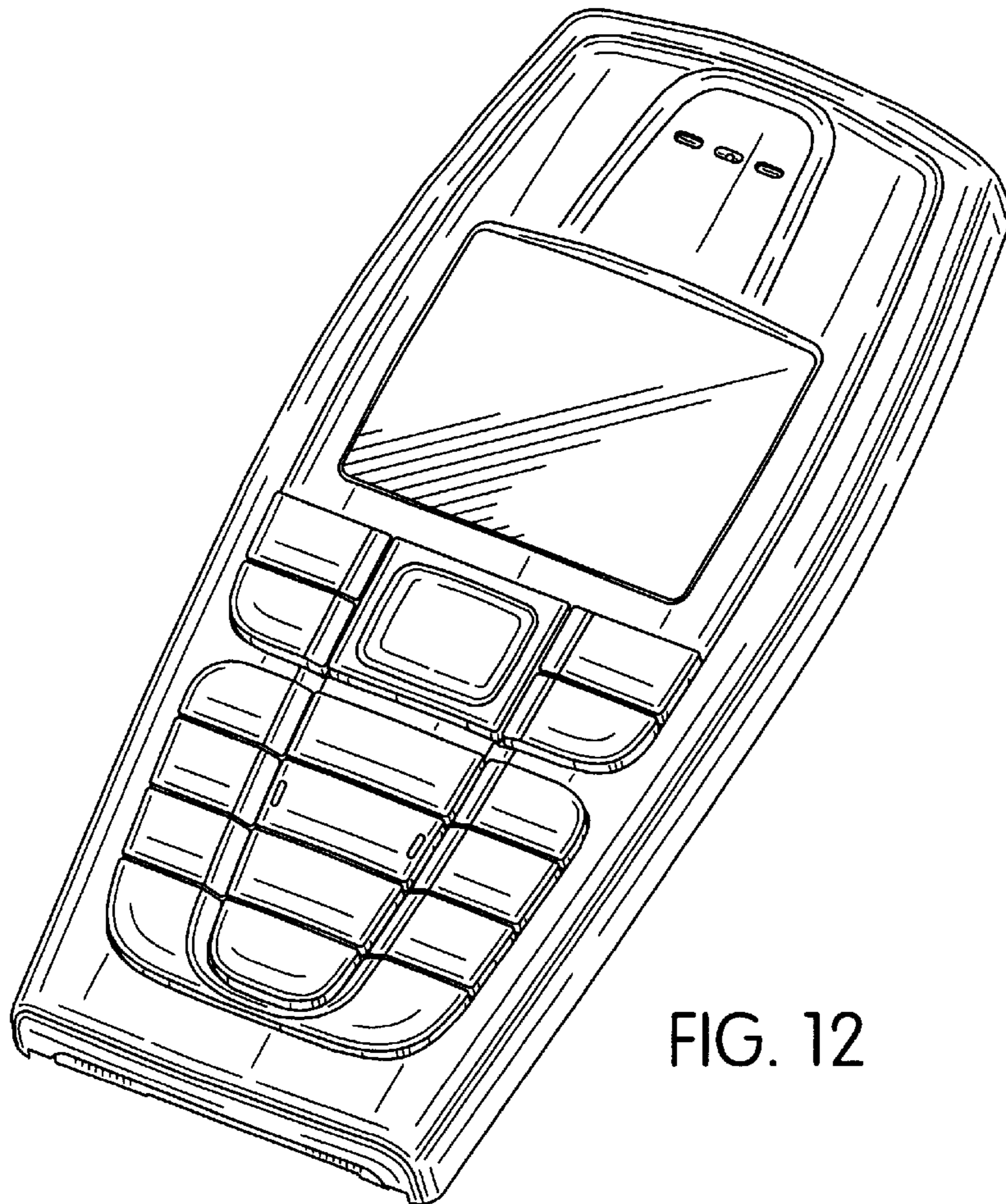


FIG. 12