



US00D524772S

(12) **United States Design Patent**
Reza

(10) **Patent No.:** **US D524,772 S**
(45) **Date of Patent:** **** Jul. 11, 2006**

(54) **TELEVISION SET**
(75) Inventor: **Ana Reza**, San Rafael, CA (US)
(73) Assignee: **Hannspree, Inc.**, Taipei (TW)
(**) Term: **14 Years**
(21) Appl. No.: **29/232,257**
(22) Filed: **Jun. 15, 2005**

(30) **Foreign Application Priority Data**

Dec. 16, 2004 (TW) 93307768

(51) **LOC (8) Cl.** **14-03**
(52) **U.S. Cl.** **D14/126**
(58) **Field of Classification Search** D14/125-134,
D14/239, 371, 136, 374-377; 312/7.2; 348/836,
348/838, 180, 184, 325, 739; 341/12; 248/917-924,
248/465; 345/104, 133, 156, 168, 87, 173;
720/605, 669, 600, 655; 369/99, 197; 455/344-347
See application file for complete search history.

(56) **References Cited**

U.S. PATENT DOCUMENTS

D414,754 S * 10/1999 Jung D14/375
D431,537 S * 10/2000 Saeki et al. D14/126
D454,845 S * 3/2002 Niitsu D14/126
D458,236 S * 6/2002 Bong et al. D14/126
D471,169 S * 3/2003 Izu et al. D14/126
D473,557 S * 4/2003 Borsboom et al. D14/374
D478,080 S * 8/2003 Wu D14/374

D479,209 S * 9/2003 Teng et al. D14/126
D481,725 S * 11/2003 Lin D14/375
D489,341 S * 5/2004 Liu et al. D14/126
D493,430 S * 7/2004 Hussaini et al. D14/126
D497,166 S * 10/2004 Vick D14/375
D499,098 S * 11/2004 Ta D14/375
D502,154 S * 2/2005 Peng D14/126
D502,451 S * 3/2005 Kita D14/126
D506,189 S * 6/2005 Buckle D14/126
D510,918 S * 10/2005 Kubota et al. D14/126
D510,919 S * 10/2005 Kubota et al. D14/126
D512,387 S * 12/2005 Kita D14/126

* cited by examiner

Primary Examiner—Raphael Barkai

(74) *Attorney, Agent, or Firm*—Michael A. Glenn; Glenn Patent Group

(57) **CLAIM**

The ornamental design for a television set, as shown and described herein.

DESCRIPTION

FIG. 1 is a perspective view of a television set showing my new design.

FIG. 2 is a front view thereof;

FIG. 3 is a rear view thereof;

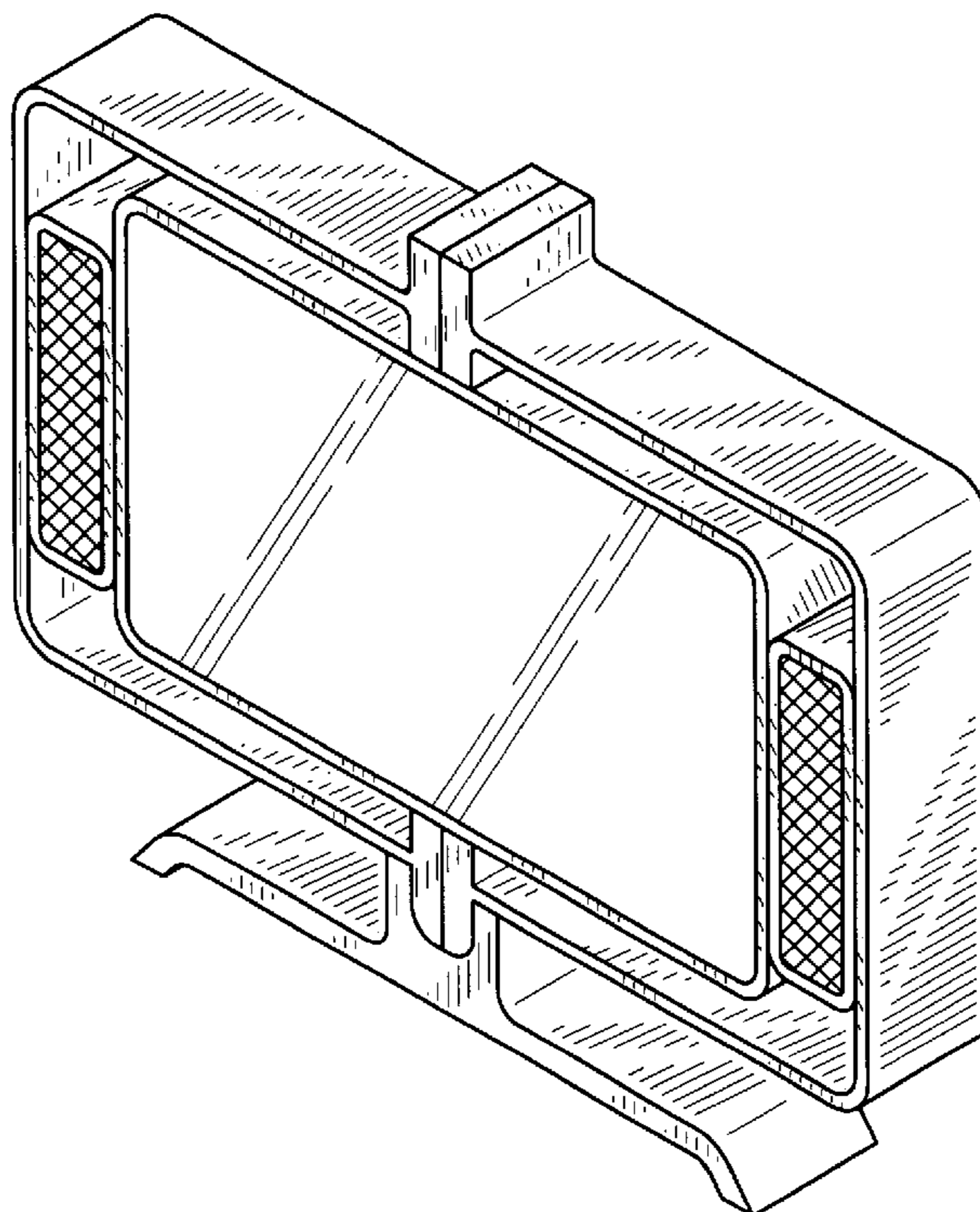
FIG. 4 is a left side view thereof;

FIG. 5 is a right side view thereof;

FIG. 6 is a top plan view thereof; and,

FIG. 7 is a bottom plan view thereof.

1 Claim, 4 Drawing Sheets



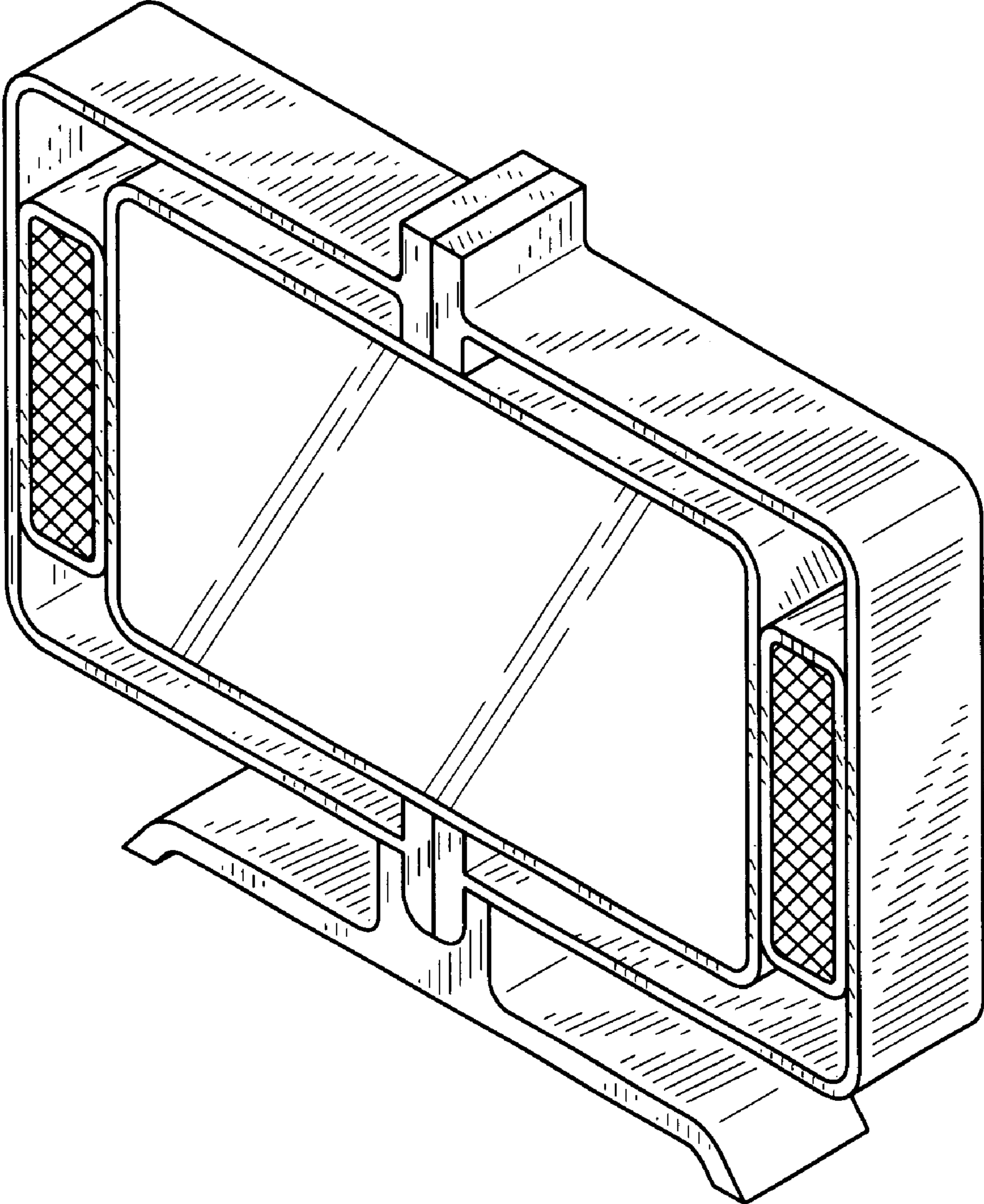


FIG. 1

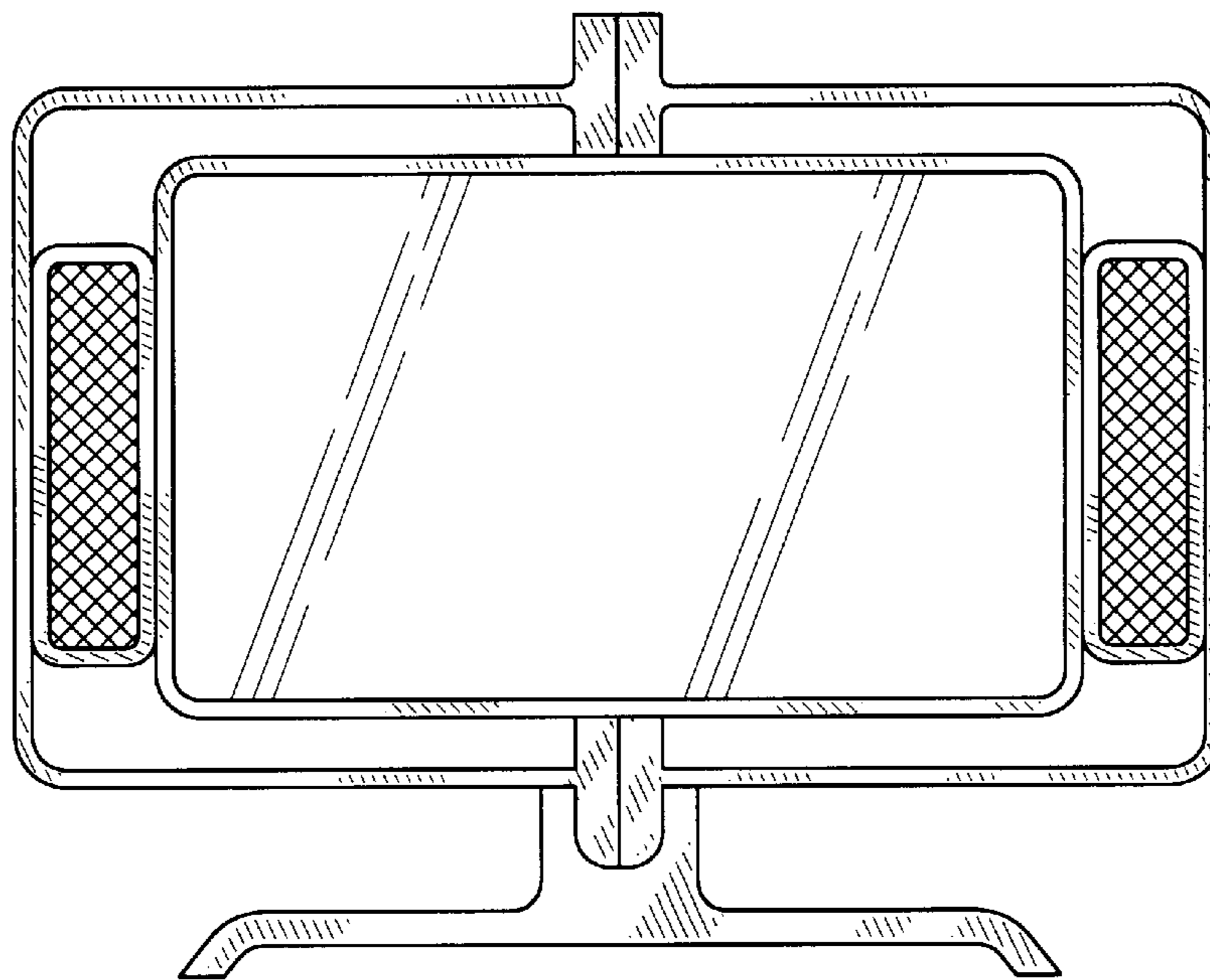


FIG. 2

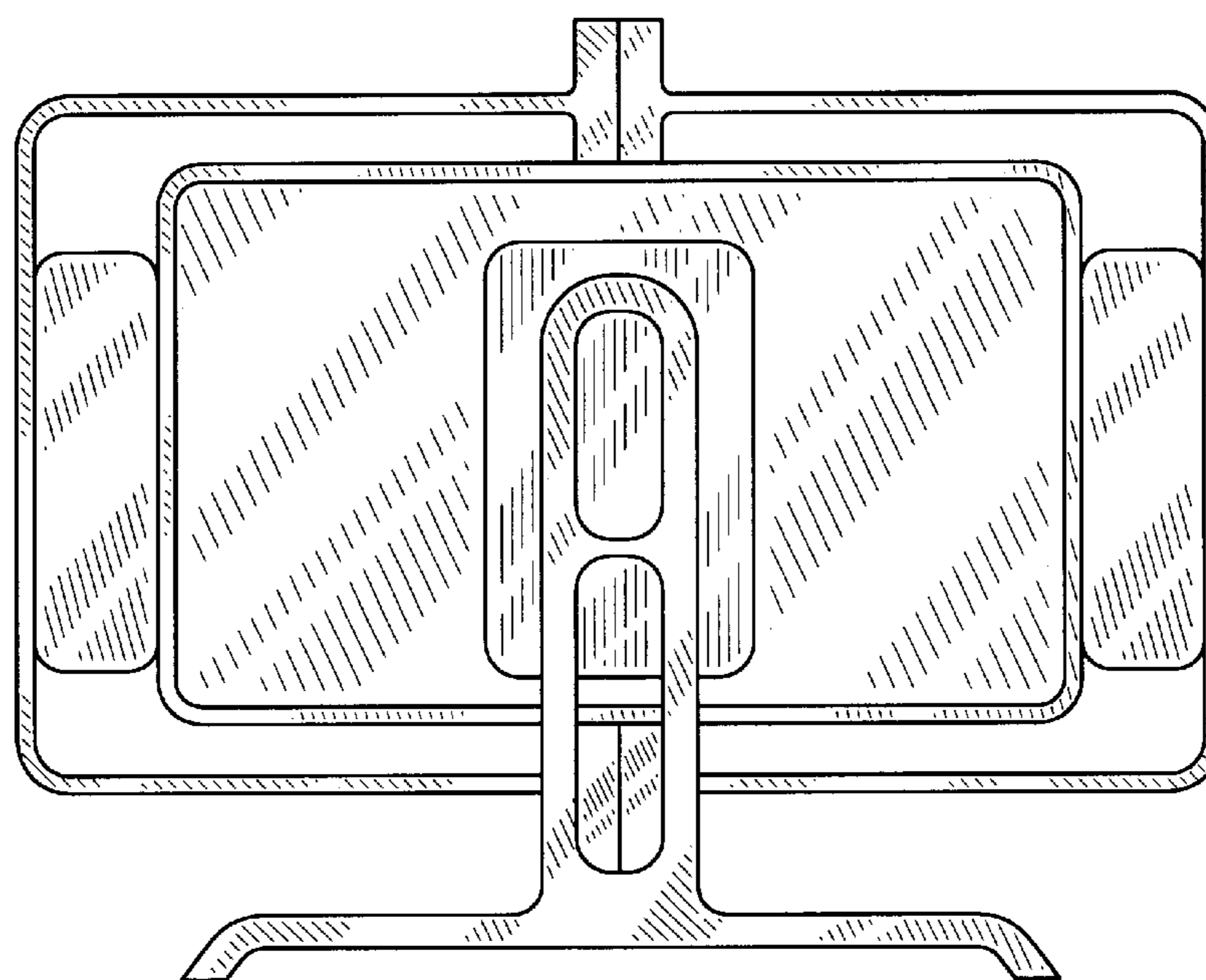


FIG. 3

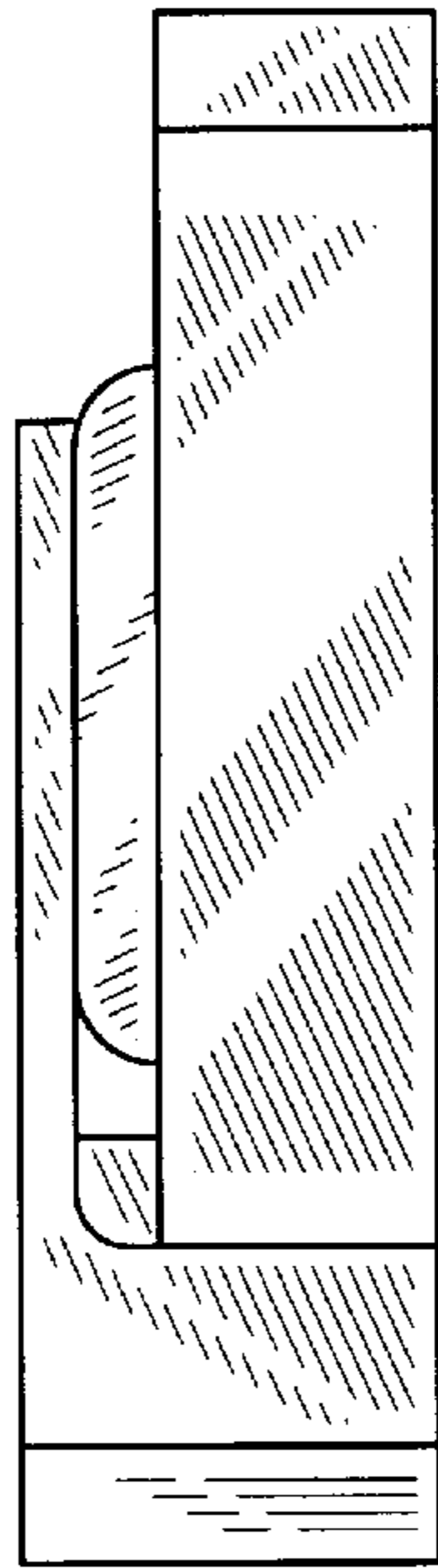


FIG. 4

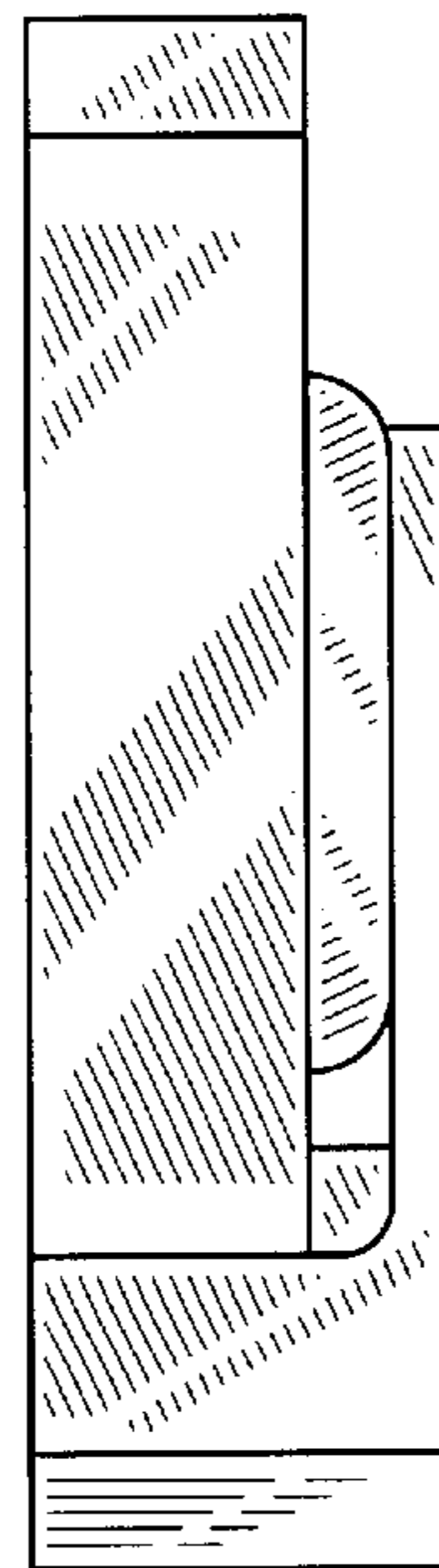


FIG. 5

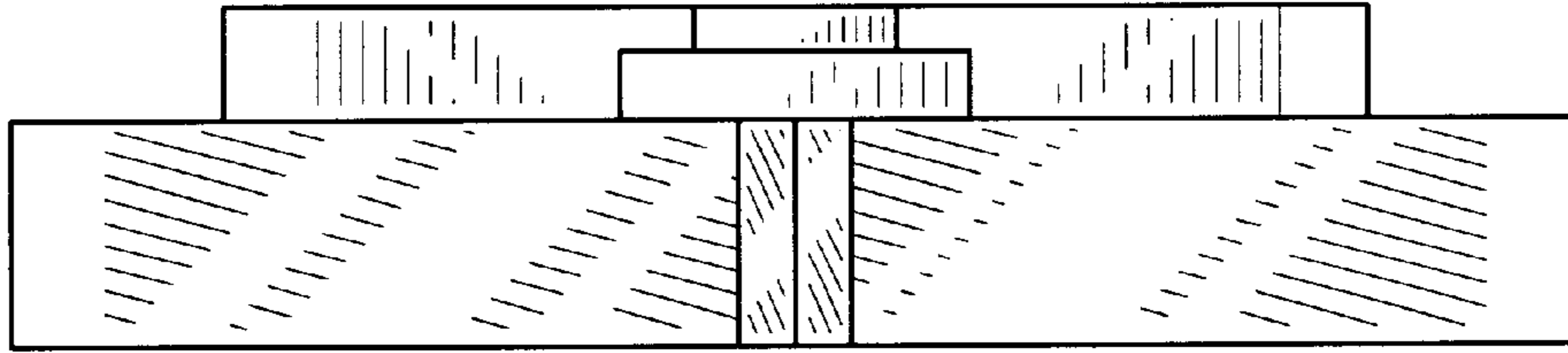


FIG. 6

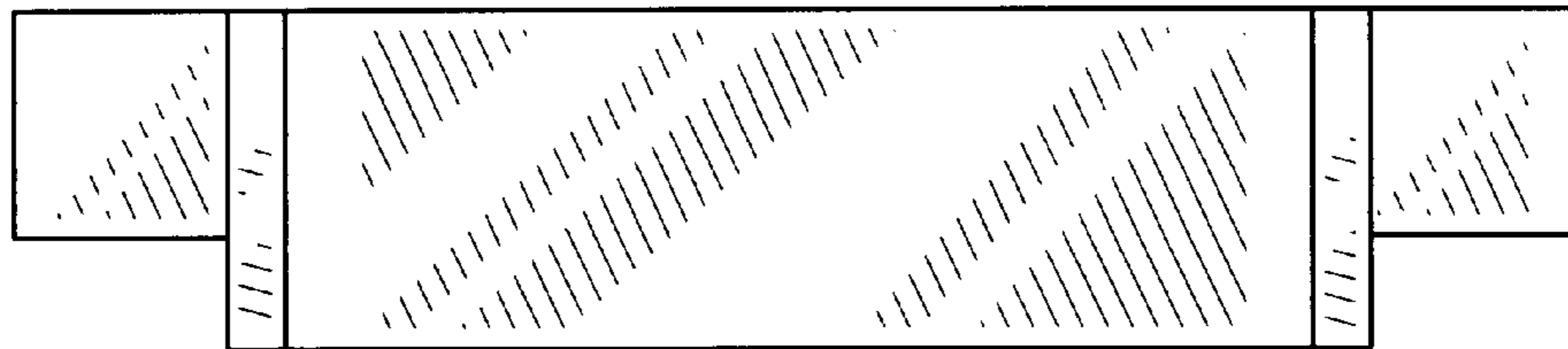


FIG. 7